

REVISIONS
4-23-14
4-28-14
5-26-14
6-2-14

**JOINER DESIGN CO.**  
 KATHRYN M. JOINER, AIA  
 CERTIFIED PROFESSIONAL BUILDING DESIGNER  
 475 PLEASANT STREET SUITE 27  
 LEWISBURG, OHIO 45301  
 WWW.JOINERDESIGN.COM

**CONTRACTOR:**  
**DAVIS FINE WOODWORKING**  
 NEW GLOUCESTER, MAINE  
 (207) 838-0528

**PROJECT:**  
**BYRNES RENOVATION**  
 45 BROOKSIDE ROAD  
 PORTLAND, MAINE

**TITLE:**  
**ELEVATIONS**

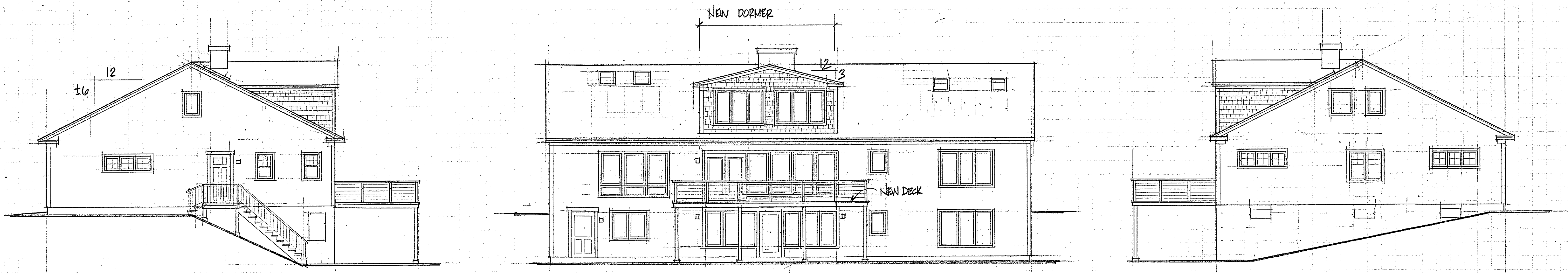
**DATE:** 4-11-14

**DR. BY:** KMN

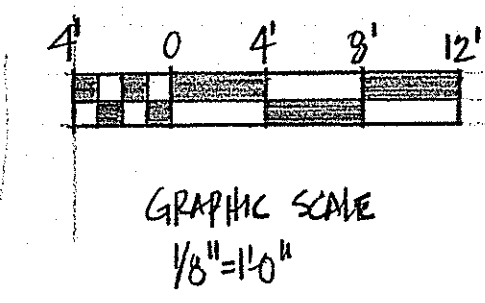
**SCALE:** AS SHOWN

**JOB #:** D-423

**SHEET:**  
 1 of 5

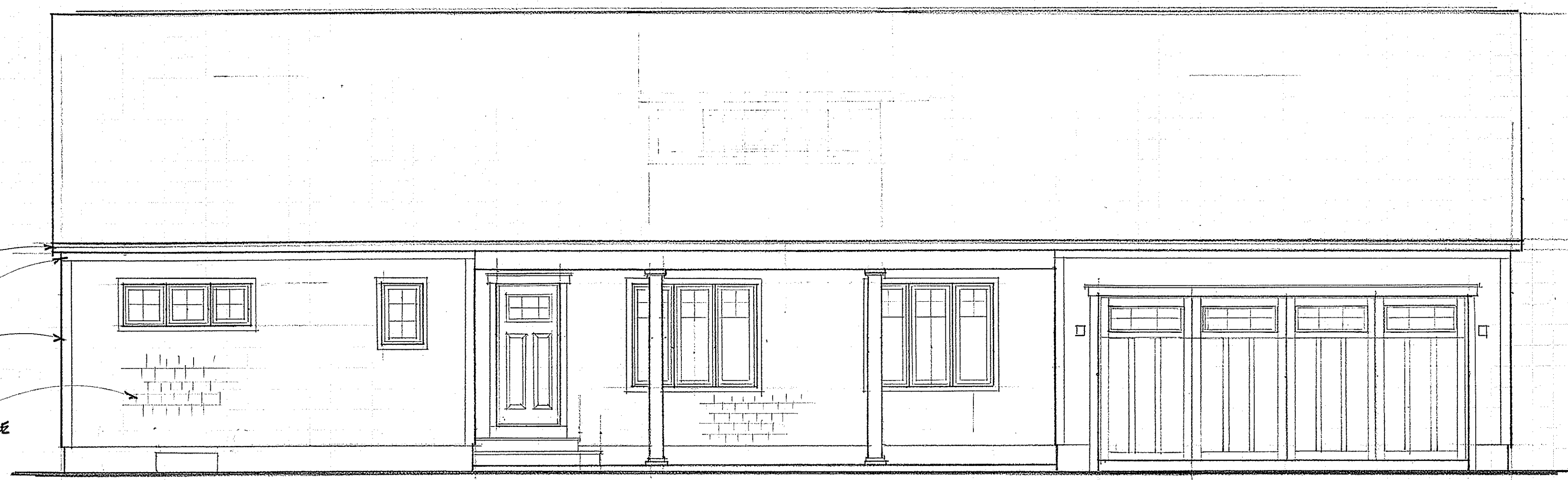


RIGHT ELEVATION  
 SCALE: 1/8"=1'-0"



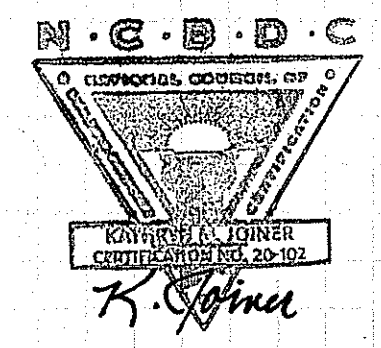
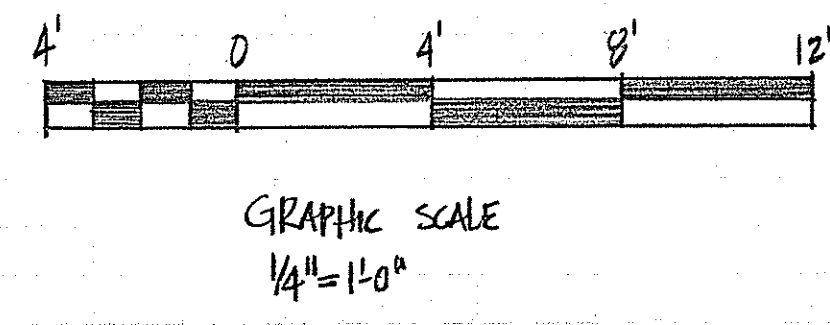
REAR ELEVATION  
 SCALE: 1/8"=1'-0"

LEFT ELEVATION  
 SCALE: 1/8"=1'-0"



- 1x4x1x8 FASCIA
- 1x6 PINE BOARD
- 1x8 AZEK (OR SIMILAR) CORNER BOARDS
- FIBER-CEMENT SHINGLE SIDING WITH 3/8" EXPOSURE

FRONT ELEVATION  
 SCALE: 1/4"=1'-0"



NOTE: THE BUILDING CONTRACTOR IS RESPONSIBLE FOR ENSURING STRUCTURAL INTEGRITY AND CODE COMPLIANCE.

© 2014 JOINER DESIGN CO., ALL RIGHTS RESERVED. REPRODUCTION AND REUSE OF THESE PLANS, EITHER IN WHOLE OR IN PART, INCLUDING ANY FORM AND/OR PREPARATION OF DERIVATIVE WORKS, IS STRICTLY PROHIBITED. ALL DESIGNS ARE A LICENSED PRODUCT, SUBJECT TO A ONE-TIME USE. JOINER DESIGN CO. IS THE COPYRIGHT OWNER GRANTING A LIMITED, NON-EXCLUSIVE, NON-TRANSFERABLE LICENSE TO BUILD ONE AND ONLY ONE STRUCTURE.