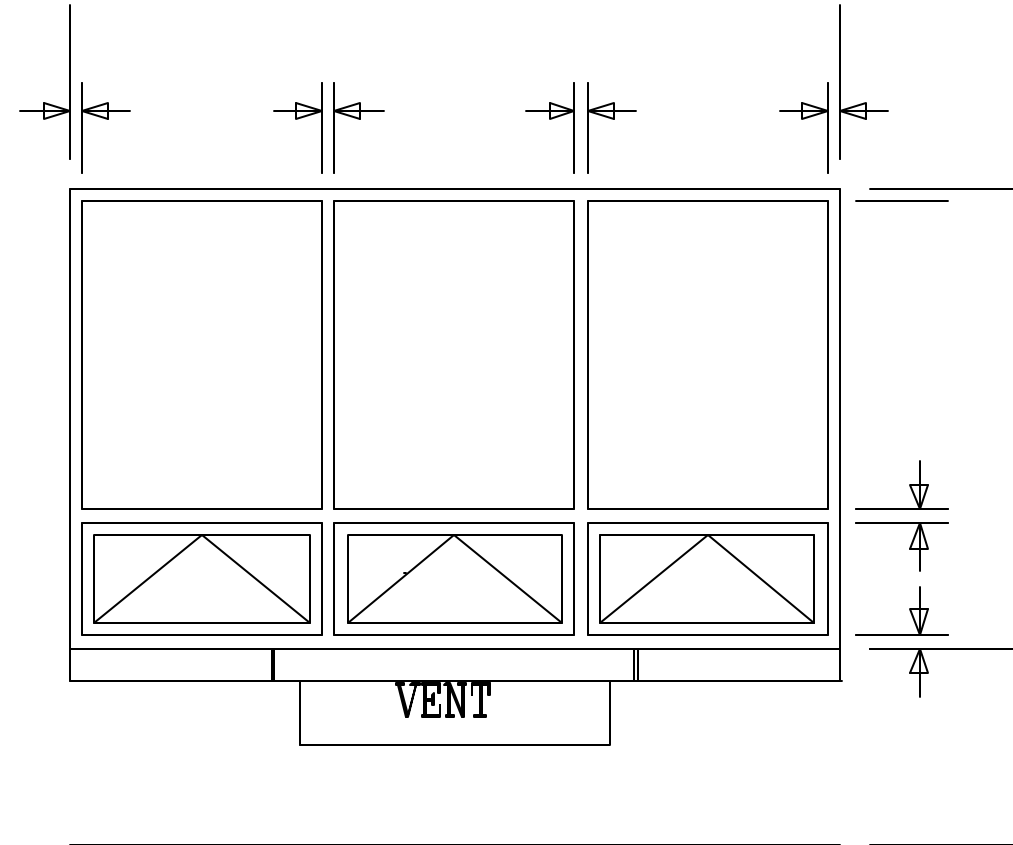


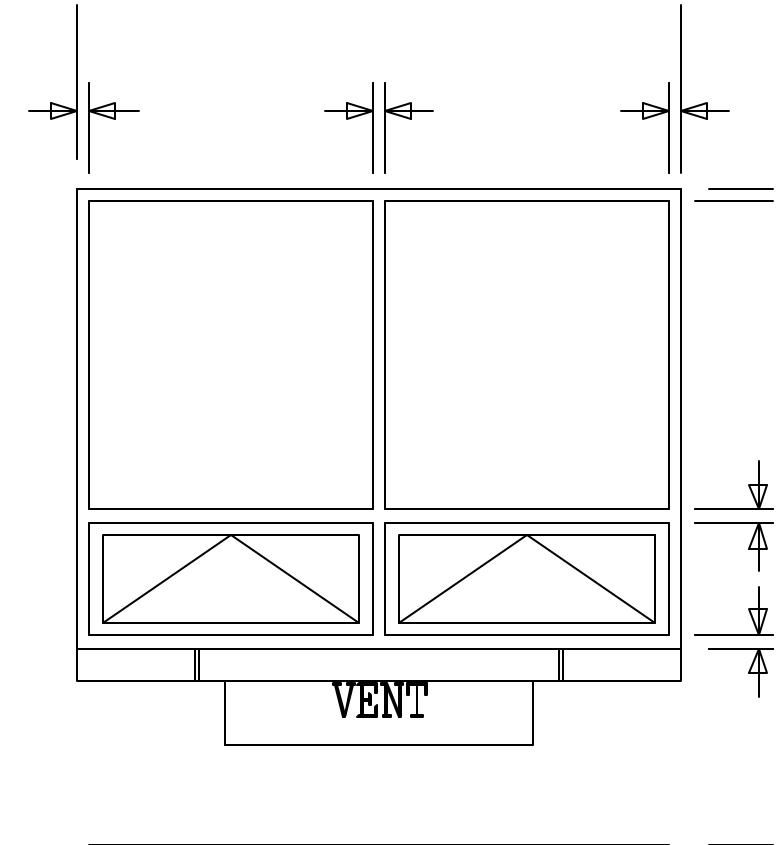
JOINTS
RECAST SILL

W1 WINDOW TYPE 1



VENT

W2 WINDOW TYPE 2



VENT

W3 WINDOW TYPE 3

WINDOW ELEVATIONS

1/4" = 1'-0"

REF: A10.1