

**LIGHT BOLLARD/FIXTURE DETAIL**

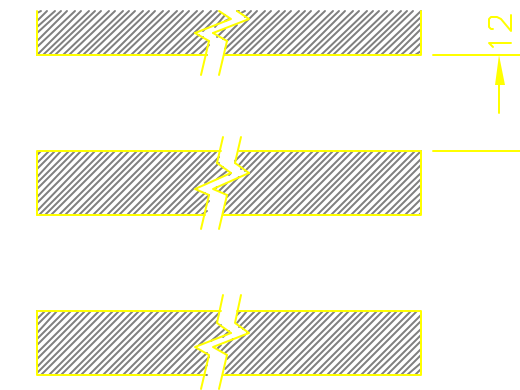
NOT TO SCALE

**B7**

**NEW UNDERGROUND LIGHTING CONDUIT**

NOT TO SCALE

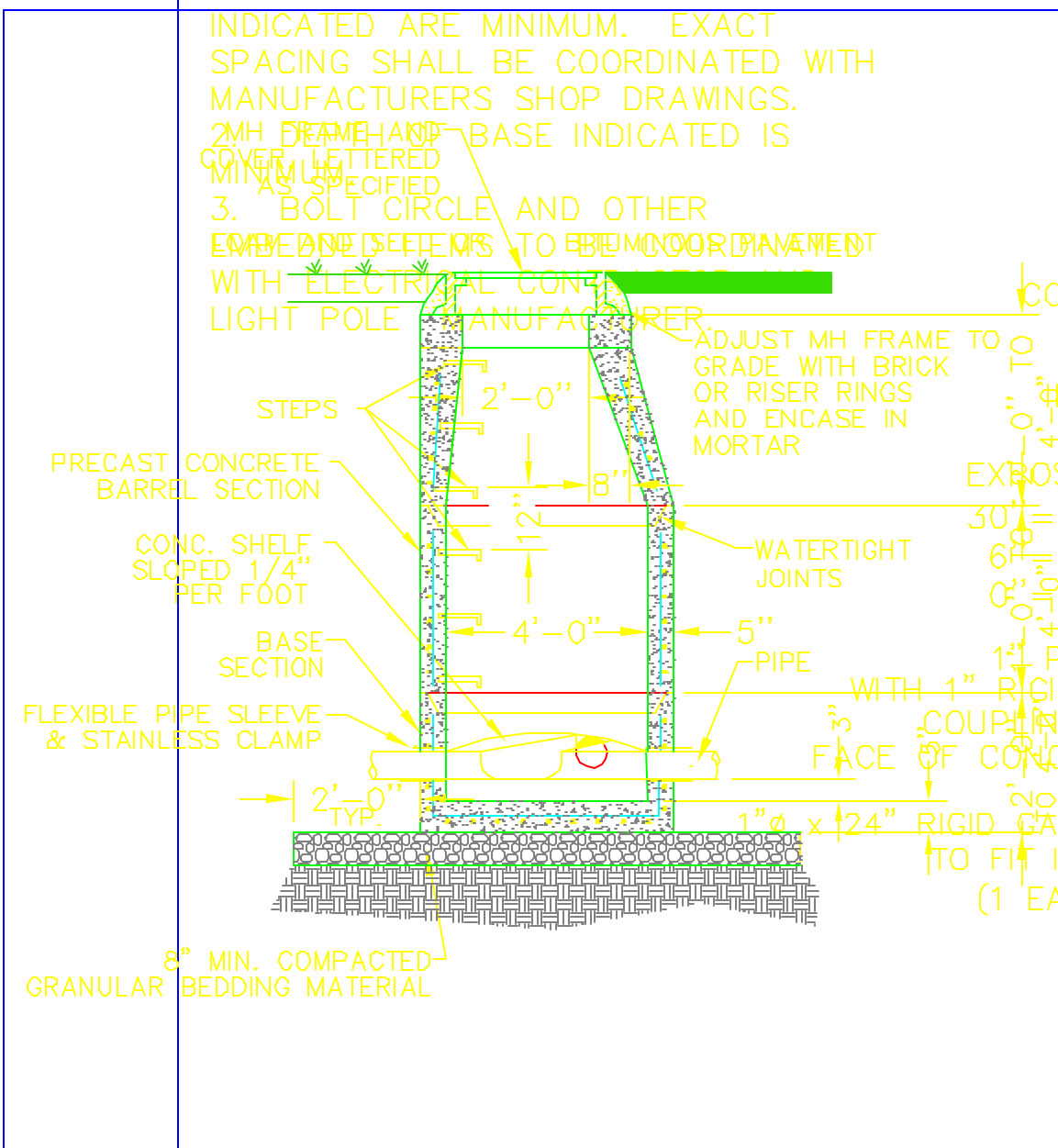
6" SAND BED SURROUNDING CONDUIT ON ALL SIDES



**PEDESTRIAN CROSSWALK**

**NOTES**

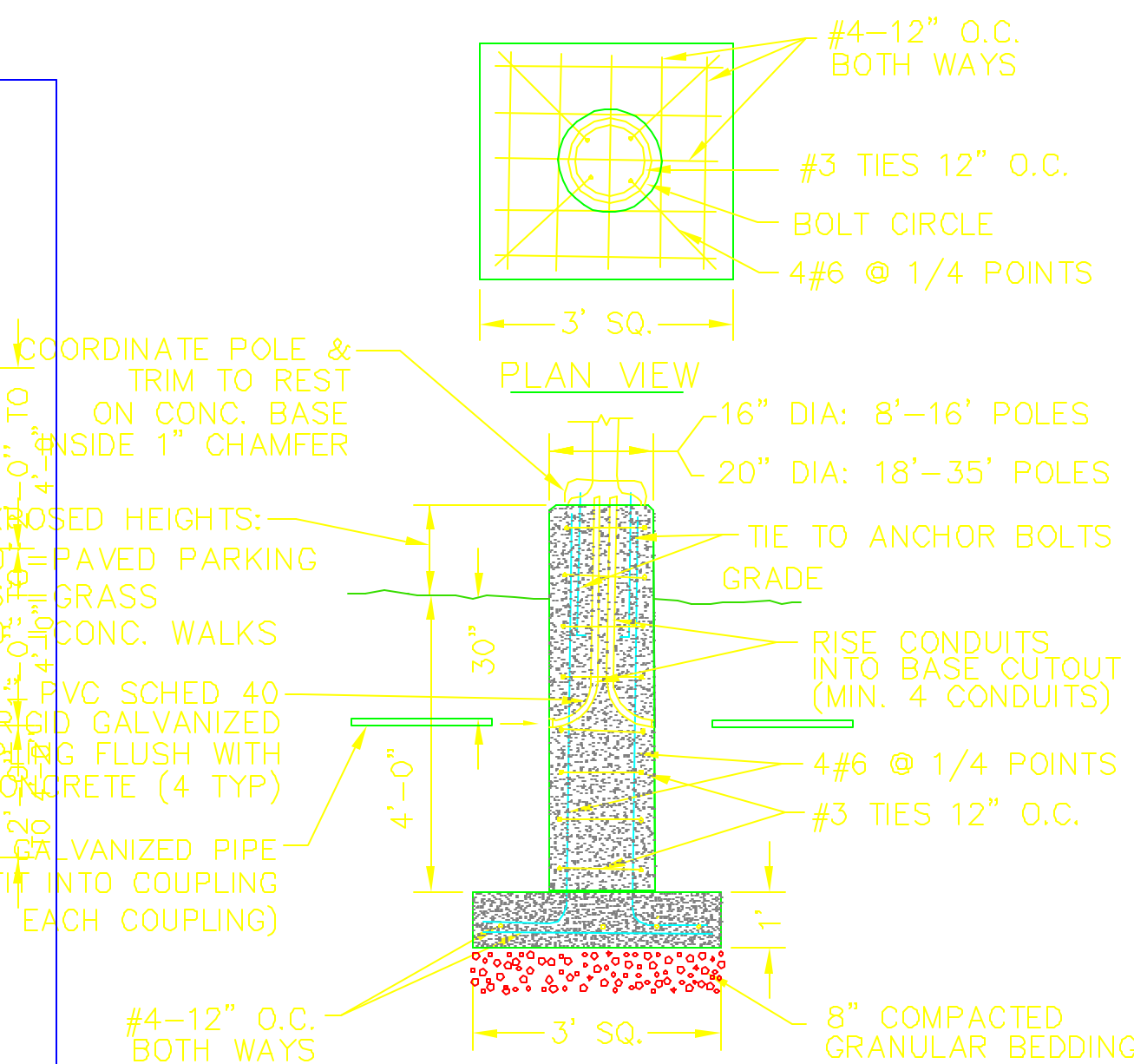
1. NUMBER AND SIZE OF REBARS INDICATED ARE MINIMUM. EXACT SPACING SHALL BE COORDINATED WITH MANUFACTURERS SHOP DRAWINGS.
2. MH FRAME HAND COVER, LETTERED MINIMUM AS SPECIFIED
3. BOLT CIRCLE AND OTHER DIMENSIONS TO BE COORDINATED WITH ELECTRICAL CONDUIT MANUFACTURER



**PRECAST CONCRETE MANHOLE**

NOT TO SCALE

**XX**



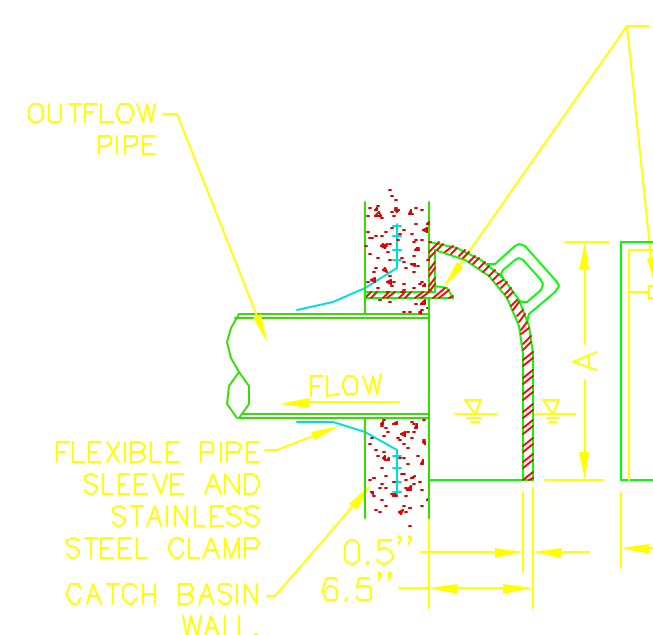
**PRECAST CONCRETE LIGHT POLE BASE**

NOT TO SCALE

**B6**

**CATCH BASIN TRAPS**

NOT TO SCALE



| PIPE DIA. | A   | B   | W |
|-----------|-----|-----|---|
| 12"       | 22" | 16" |   |
| 15"       | 25" | 17" |   |
| 18"       | 28" | 20" |   |

NOTE: USE ON OUTLINE IN CB#: 1,2,5,8