

LIGHT BOLLARD/FIXTURE DETAIL

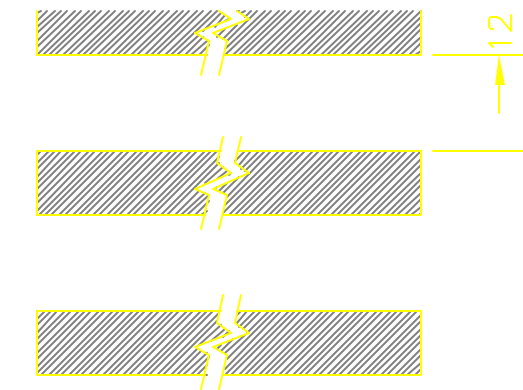
NOT TO SCALE

B7

NEW UNDERGROUND LIGHTING CONDUIT

NOT TO SCALE

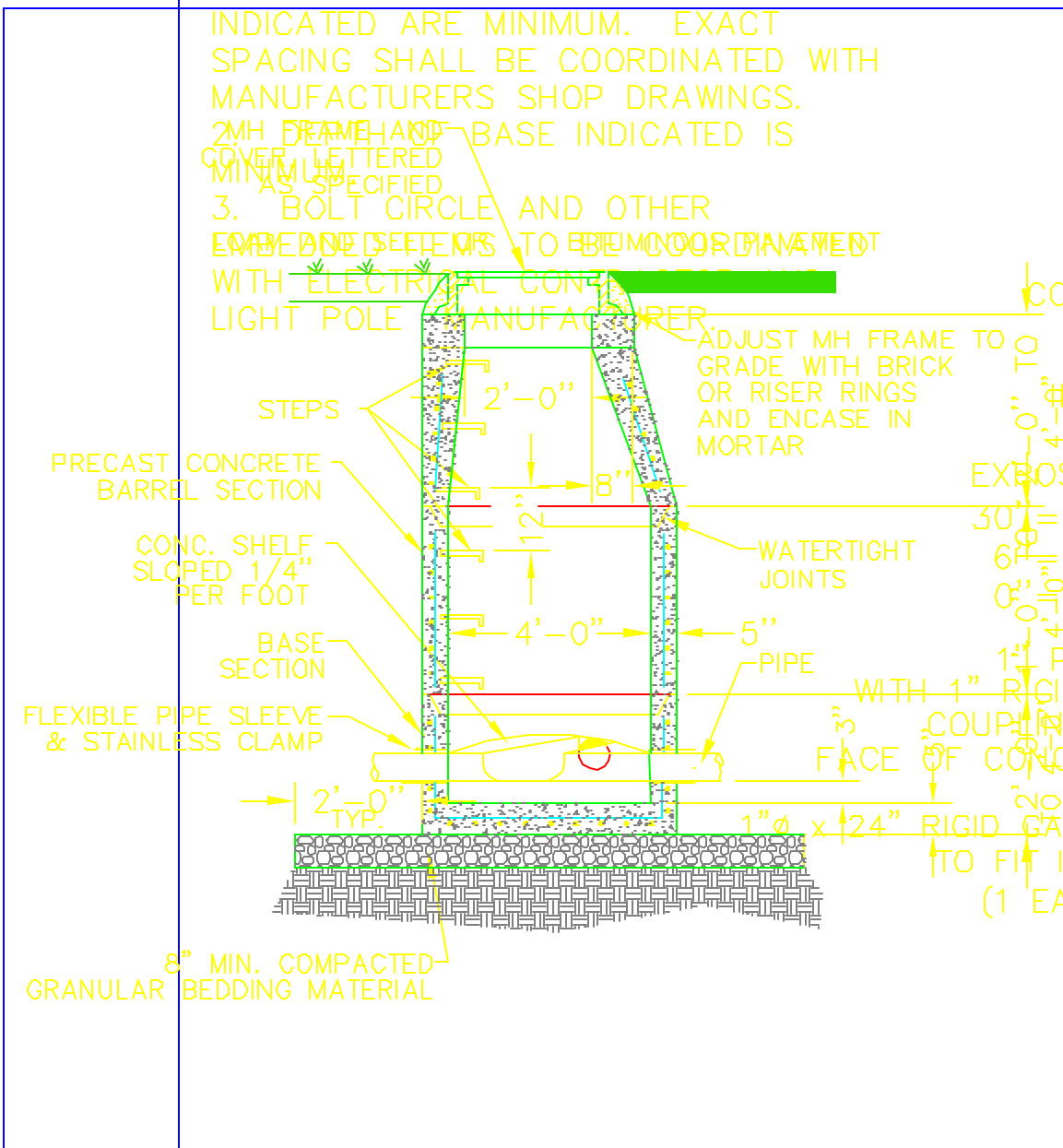
6" SAND BED SURROUNDING CONDUIT ON ALL SIDES



PEDESTRIAN CROSSWALK

NOTES

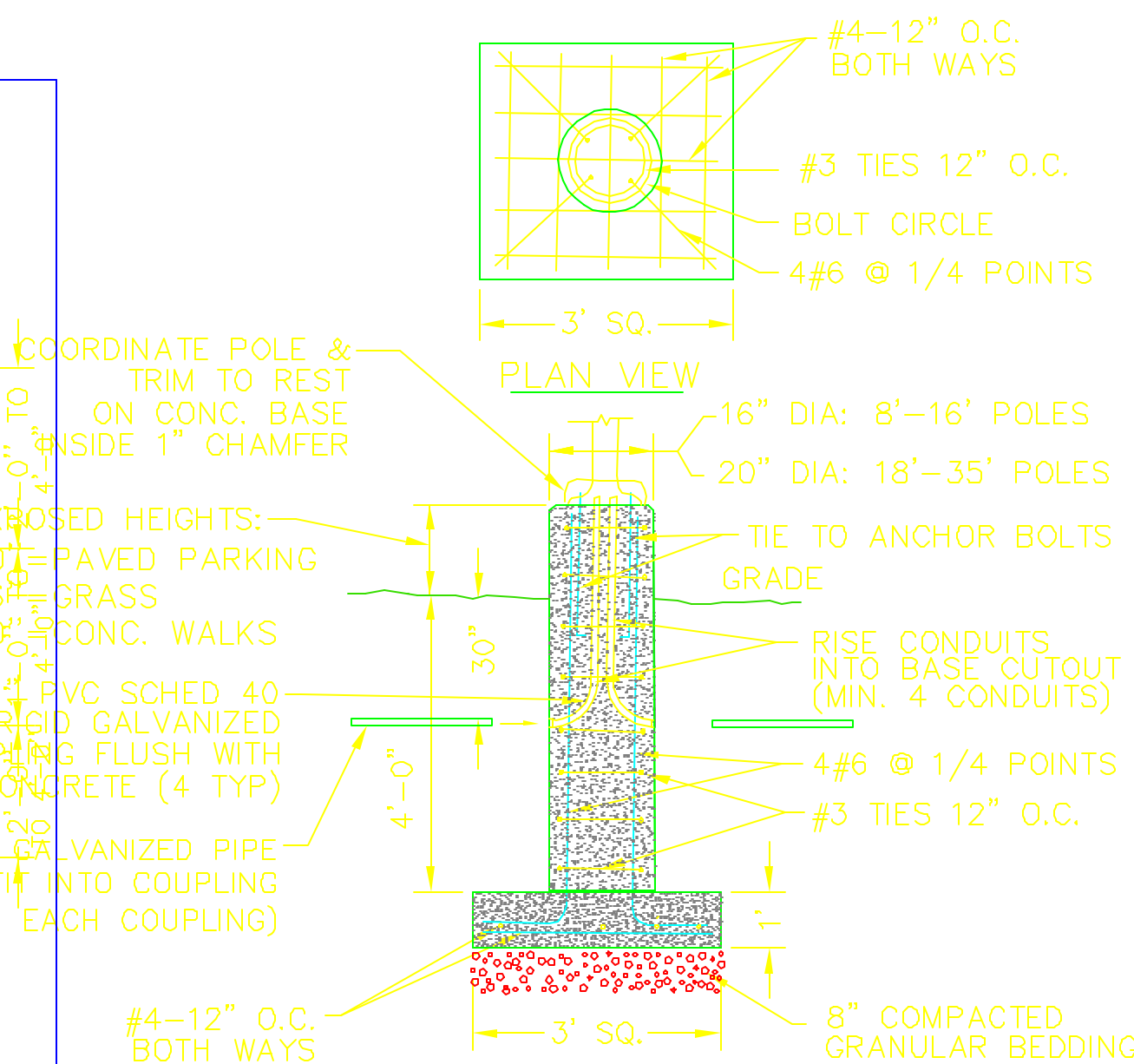
1. NUMBER AND SIZE OF REBARS INDICATED ARE MINIMUM. EXACT SPACING SHALL BE COORDINATED WITH MANUFACTURERS SHOP DRAWINGS.
2. MH FRAME HAND COVER, LETTERED MINIMUM AS SPECIFIED
3. BOLT CIRCLE AND OTHER DIMENSIONS TO BE COORDINATED WITH ELECTRICAL CONDUIT MANUFACTURER



PRECAST CONCRETE MANHOLE

NOT TO SCALE

XX



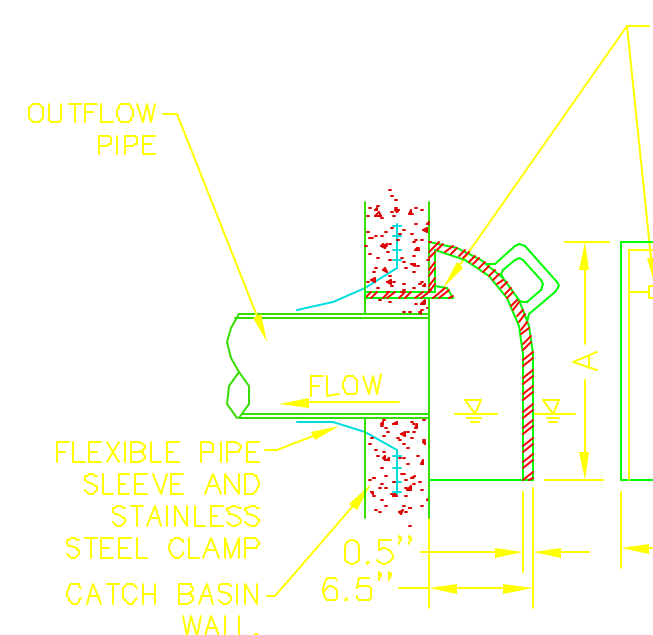
PRECAST CONCRETE LIGHT POLE BASE

NOT TO SCALE

B6

CATCH BASIN TRAPS

NOT TO SCALE



PIPE DIA.	A	B	W
12"	22"	16"	
15"	25"	17"	
18"	28"	20"	

NOTE: USE ON OUTLINE IN CB#: 1,2,5,8