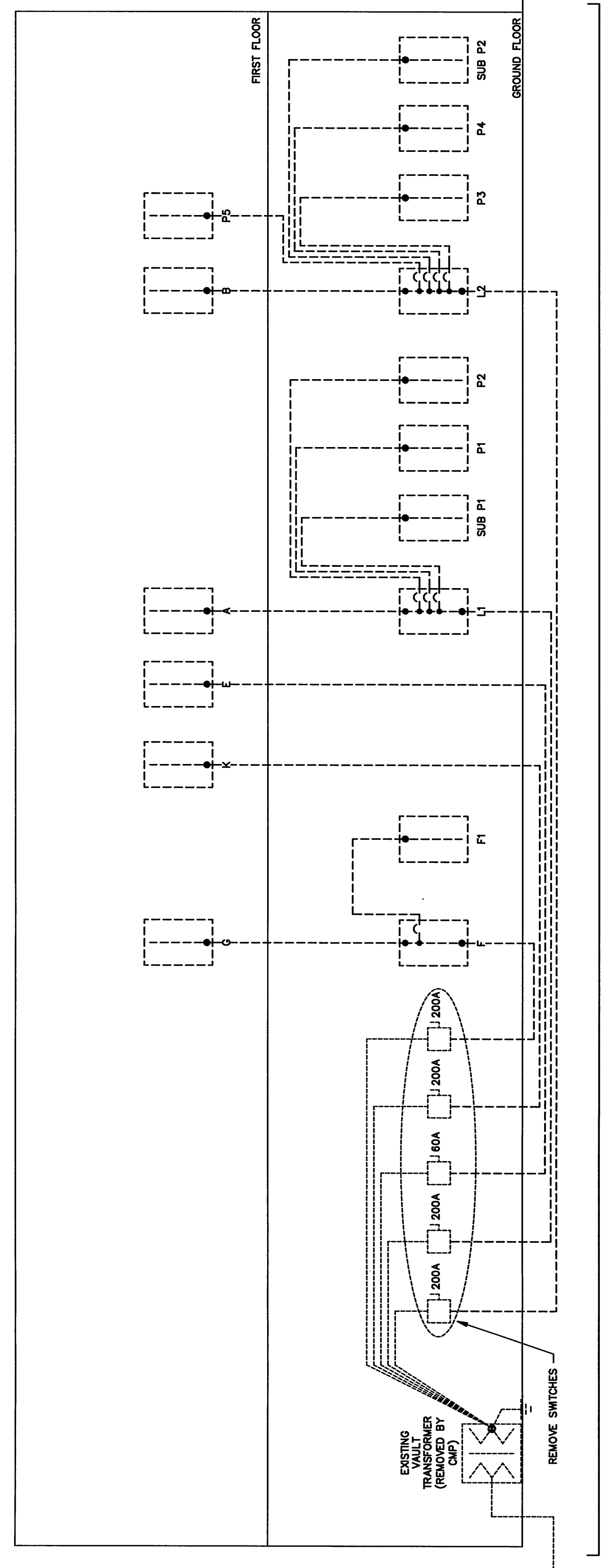
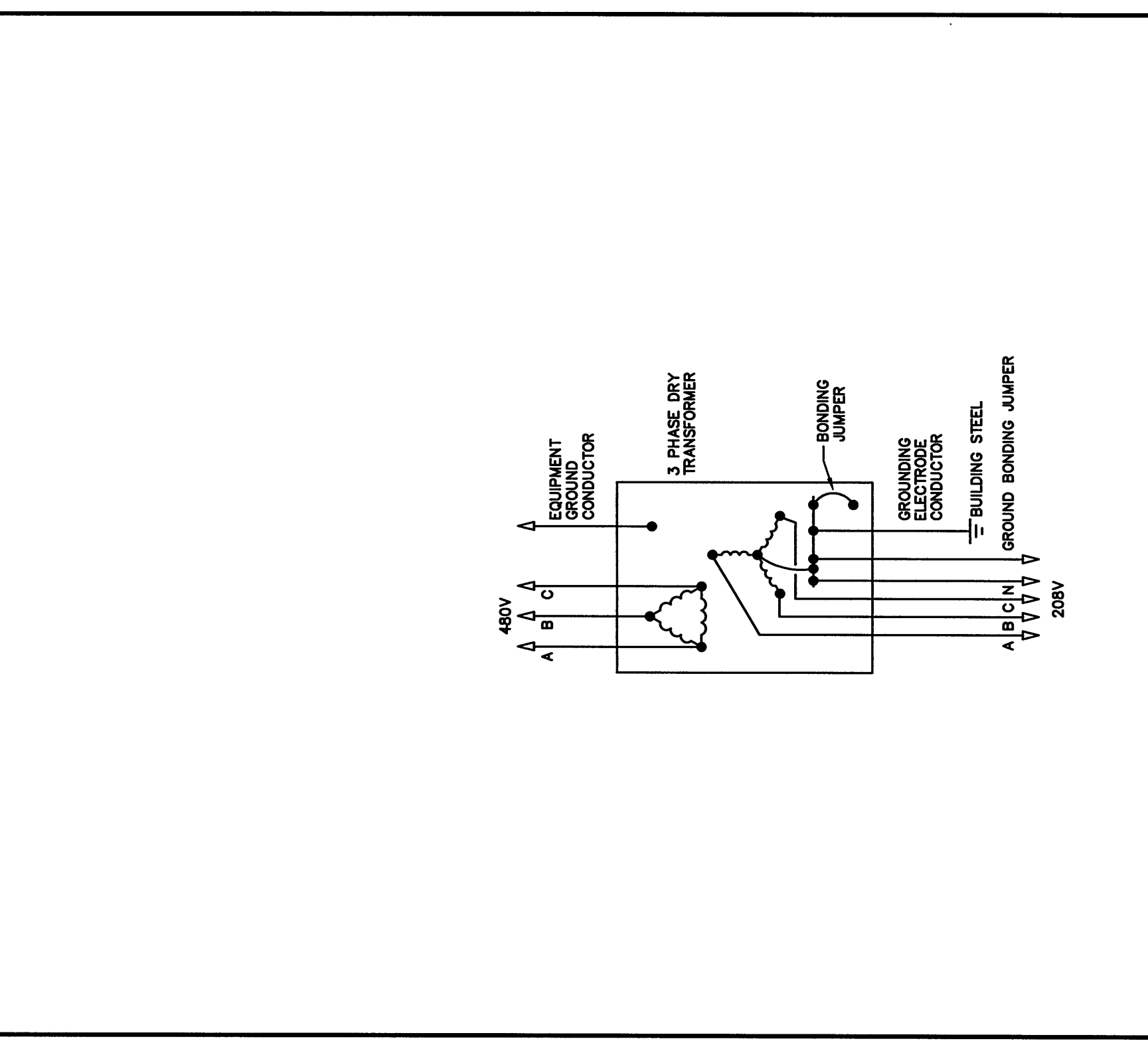


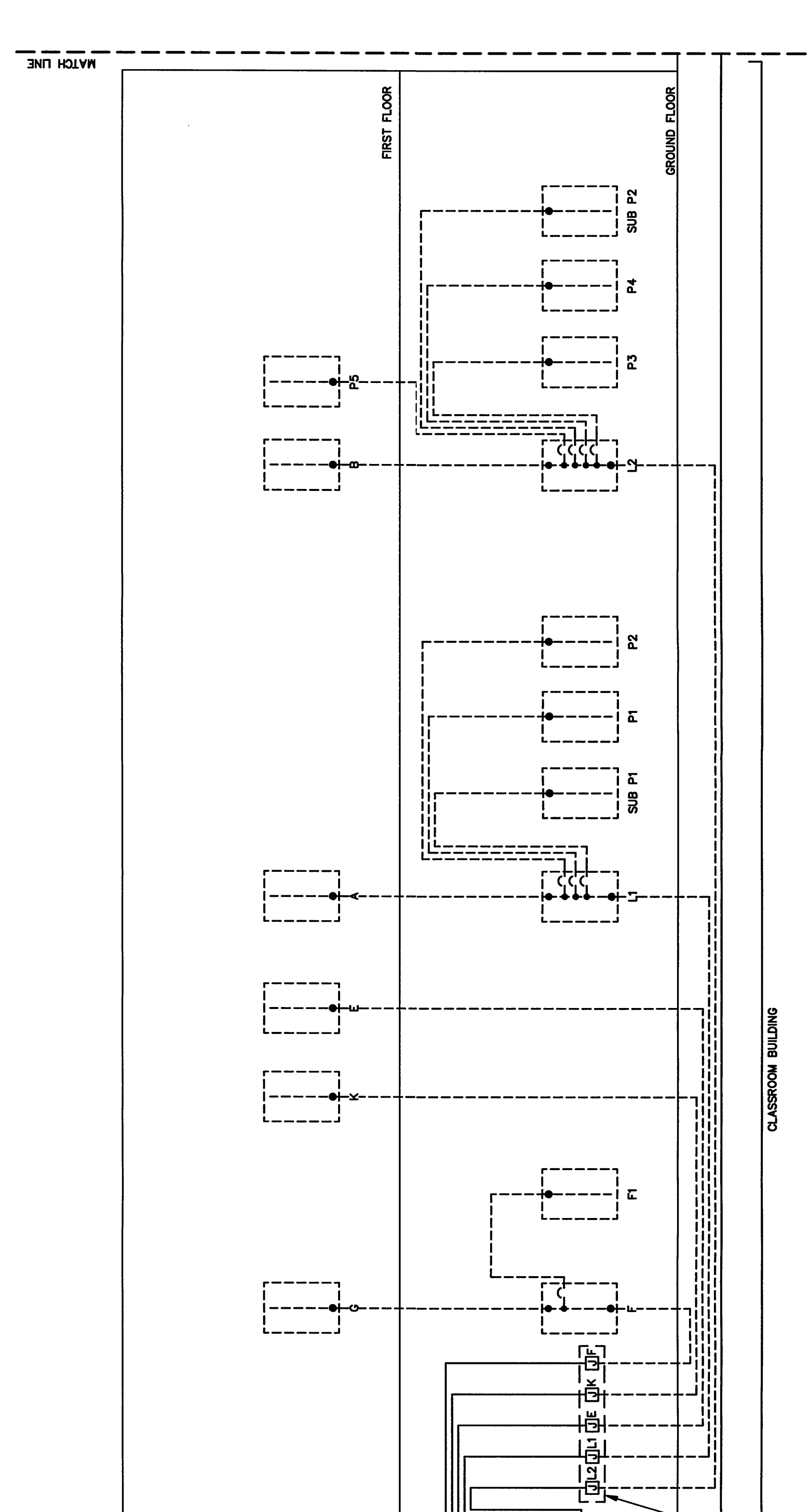
**EXISTING POWER RISER DIAGRAM**  
 NO SCALE  
 REF.



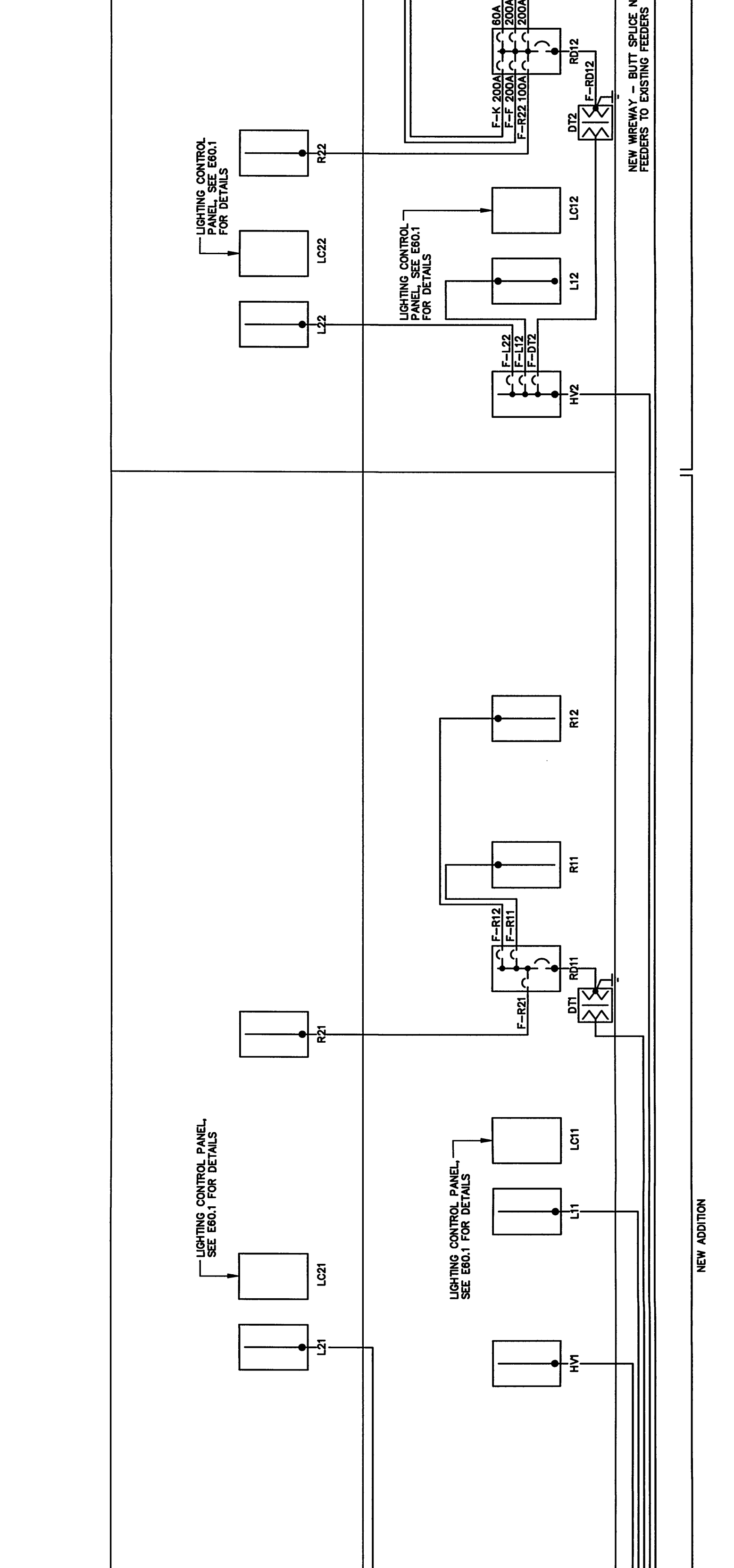
**NEW POWER RISER DIAGRAM**  
 NO SCALE  
 REF.



**TYPICAL DRY TRANSFORMER GROUNDING DETAIL**  
 NO SCALE  
 REF.



**NEW POWER RISER DIAGRAM**  
 NO SCALE  
 REF.



**NEW POWER RISER DIAGRAM**  
 NO SCALE  
 REF.

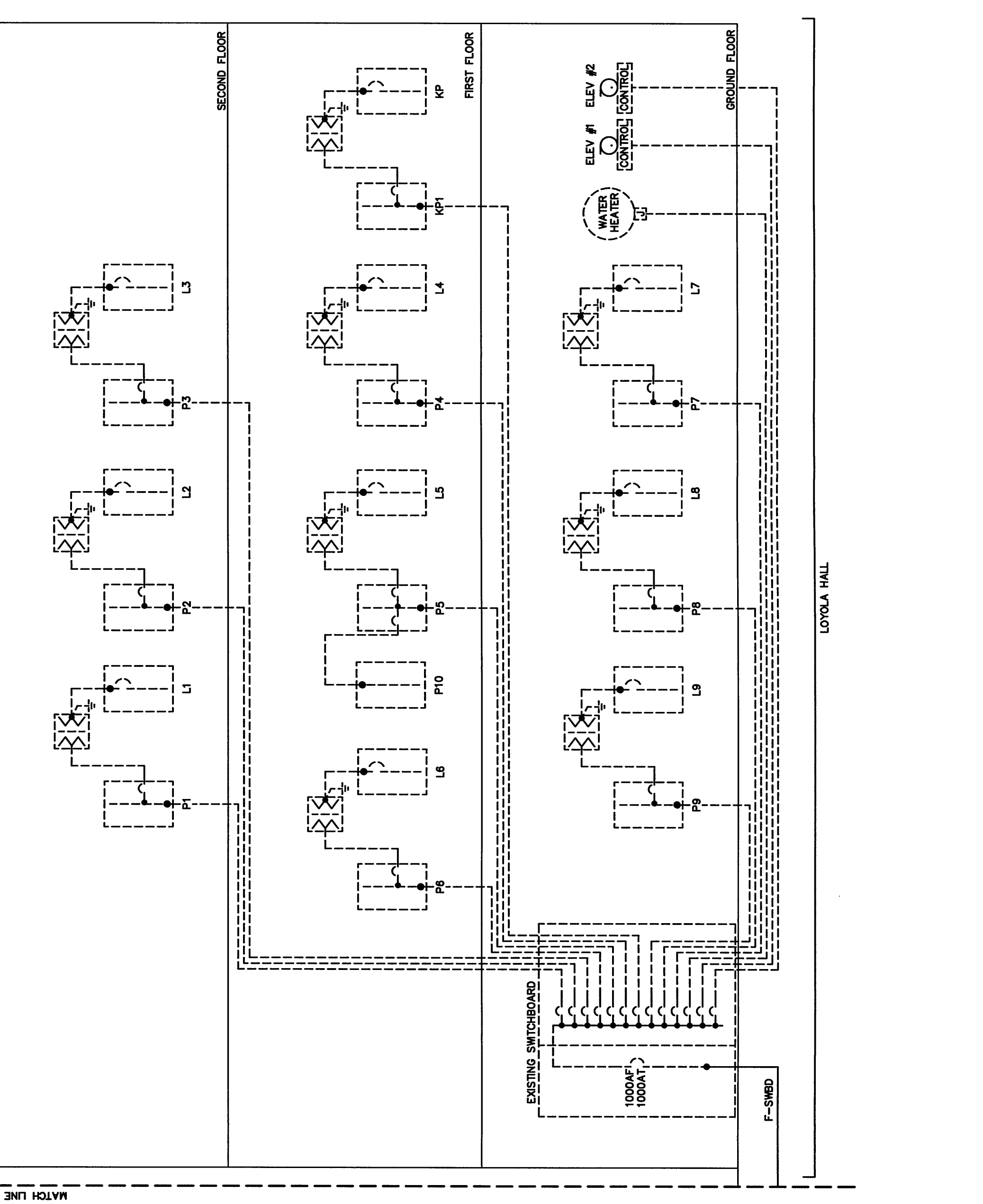
**PANELBOARD & FEEDER SCHEDULE**

TAG NO.	PANELBOARD LOCATION	TYPE	ENTRANCE	PHASE	VOLTS	NO. OF POLES	NO. OF CIRCUITS	CONDUIT SIZE	WIRE SIZE	TERMINAL BLOCK	NOTES
101	SURF BREAKER ROOM	CB	3	4	277/	100A	F-HVT	4"	3/0 SHW	1"	
102	SURF BREAKER ROOM	LUS	3	4	277/	300	F-HVT	4"	1/0 SHW	3"	
103	SURF BREAKER ROOM	LUS	3	4	277/	100	F-HVT	4"	1/0 SHW	3"	
104	SURF BREAKER ROOM	LUS	3	4	277/	100	F-HVT	4"	1/0 SHW	1 1/2"	
105	SURF BREAKER ROOM	LUS	3	4	277/	100	F-HVT	4"	1/0 SHW	1 1/2"	
106	SURF BREAKER ROOM	LUS	3	4	277/	100	F-HVT	4"	1/0 SHW	1 1/2"	
107	SURF BREAKER ROOM	LUS	3	4	277/	100	F-HVT	4"	1/0 SHW	1 1/2"	
108	SURF BREAKER ROOM	LUS	3	4	277/	100	F-HVT	4"	1/0 SHW	1 1/2"	
109	SURF BREAKER ROOM	LUS	3	4	277/	100	F-HVT	4"	1/0 SHW	1 1/2"	
110	SURF BREAKER ROOM	LUS	3	4	277/	100	F-HVT	4"	1/0 SHW	1 1/2"	
111	SURF BREAKER ROOM	LUS	3	4	277/	100	F-HVT	4"	1/0 SHW	1 1/2"	
112	SURF BREAKER ROOM	LUS	3	4	277/	100	F-HVT	4"	1/0 SHW	1 1/2"	
113	SURF BREAKER ROOM	LUS	3	4	277/	100	F-HVT	4"	1/0 SHW	1 1/2"	
114	SURF BREAKER ROOM	LUS	3	4	277/	100	F-HVT	4"	1/0 SHW	1 1/2"	
115	SURF BREAKER ROOM	LUS	3	4	277/	100	F-HVT	4"	1/0 SHW	1 1/2"	
116	SURF BREAKER ROOM	LUS	3	4	277/	100	F-HVT	4"	1/0 SHW	1 1/2"	
117	SURF BREAKER ROOM	LUS	3	4	277/	100	F-HVT	4"	1/0 SHW	1 1/2"	
118	SURF BREAKER ROOM	LUS	3	4	277/	100	F-HVT	4"	1/0 SHW	1 1/2"	
119	SURF BREAKER ROOM	LUS	3	4	277/	100	F-HVT	4"	1/0 SHW	1 1/2"	
120	SURF BREAKER ROOM	LUS	3	4	277/	100	F-HVT	4"	1/0 SHW	1 1/2"	

- PANELBOARD & MISC. EQUIPMENT NOTES**
- SEE DRY TRANSFORMER SCHEDULE FOR OVER CURRENT PROTECTION AND FEEDER SIZES.
  - IF PANELBOARD, BOLT-ON BREAKERS, MINIMUM GUTTERS 5" SIDES AND DEPTH, 6" TOP.
  - IF PANELBOARD, BOLT-ON BREAKERS, MINIMUM GUTTERS 5" SIDES AND DEPTH, 6" TOP AND 10,000 A.L.C.
  - IF PANELBOARD, BOLT-ON BREAKERS, MINIMUM GUTTERS 5" SIDES AND DEPTH, 6" TOP AND 10,000 A.L.C.
  - IF PANELBOARD, BOLT-ON BREAKERS, MINIMUM GUTTERS 5" SIDES AND DEPTH, 6" TOP AND 10,000 A.L.C.
  - IF PANELBOARD, BOLT-ON BREAKERS, MINIMUM GUTTERS 5" SIDES AND DEPTH, 6" TOP AND 10,000 A.L.C.
  - IF PANELBOARD, BOLT-ON BREAKERS, MINIMUM GUTTERS 5" SIDES AND DEPTH, 6" TOP AND 10,000 A.L.C.
  - IF PANELBOARD, BOLT-ON BREAKERS, MINIMUM GUTTERS 5" SIDES AND DEPTH, 6" TOP AND 10,000 A.L.C.
  - IF PANELBOARD, BOLT-ON BREAKERS, MINIMUM GUTTERS 5" SIDES AND DEPTH, 6" TOP AND 10,000 A.L.C.
  - IF PANELBOARD, BOLT-ON BREAKERS, MINIMUM GUTTERS 5" SIDES AND DEPTH, 6" TOP AND 10,000 A.L.C.
  - IF PANELBOARD, BOLT-ON BREAKERS, MINIMUM GUTTERS 5" SIDES AND DEPTH, 6" TOP AND 10,000 A.L.C.
  - IF PANELBOARD, BOLT-ON BREAKERS, MINIMUM GUTTERS 5" SIDES AND DEPTH, 6" TOP AND 10,000 A.L.C.
  - IF PANELBOARD, BOLT-ON BREAKERS, MINIMUM GUTTERS 5" SIDES AND DEPTH, 6" TOP AND 10,000 A.L.C.
  - IF PANELBOARD, BOLT-ON BREAKERS, MINIMUM GUTTERS 5" SIDES AND DEPTH, 6" TOP AND 10,000 A.L.C.
  - IF PANELBOARD, BOLT-ON BREAKERS, MINIMUM GUTTERS 5" SIDES AND DEPTH, 6" TOP AND 10,000 A.L.C.

**MAIN SWITCHBOARD (MSB) SCHEDULE**

MSB TAG NO.	TYPE	ENTRANCE PHASE	NO. OF POLES	NO. OF CIRCUITS	CONDUIT SIZE	WIRE SIZE	TERMINAL BLOCK	NOTES
1000	CB	3	4	277/	1000A	F-HVT	4"	3"
1001	CB	3	4	277/	1000A	F-HVT	4"	3"
1002	CB	3	4	277/	1000A	F-HVT	4"	3"
1003	CB	3	4	277/	1000A	F-HVT	4"	3"
1004	CB	3	4	277/	1000A	F-HVT	4"	3"
1005	CB	3	4	277/	1000A	F-HVT	4"	3"
1006	CB	3	4	277/	1000A	F-HVT	4"	3"
1007	CB	3	4	277/	1000A	F-HVT	4"	3"
1008	CB	3	4	277/	1000A	F-HVT	4"	3"
1009	CB	3	4	277/	1000A	F-HVT	4"	3"
1010	CB	3	4	277/	1000A	F-HVT	4"	3"
1011	CB	3	4	277/	1000A	F-HVT	4"	3"
1012	CB	3	4	277/	1000A	F-HVT	4"	3"
1013	CB	3	4	277/	1000A	F-HVT	4"	3"
1014	CB	3	4	277/	1000A	F-HVT	4"	3"
1015	CB	3	4	277/	1000A	F-HVT	4"	3"
1016	CB	3	4	277/	1000A	F-HVT	4"	3"
1017	CB	3	4	277/	1000A	F-HVT	4"	3"
1018	CB	3	4	277/	1000A	F-HVT	4"	3"
1019	CB	3	4	277/	1000A	F-HVT	4"	3"
1020	CB	3	4	277/	1000A	F-HVT	4"	3"



**NEW POWER RISER DIAGRAM**  
 NO SCALE  
 REF.

**MISC. EQUIPMENT & FEEDERS SCHEDULE**

TAG NO.	MONITOR	LOCATION	TYPE	ENTRANCE	PHASE	VOLTS	NO. OF POLES	NO. OF CIRCUITS	CONDUIT SIZE	WIRE SIZE	TERMINAL BLOCK	NOTES
101	ELEVATOR	ELEVATOR MACHINE ROOM	CB	3	4	277/	100A	F-ELEV	4"	3/0 SHW	1"	
102	L3	SPRUE BOX	CB	3	4	277/	200A	F-L3	4"	3/0 SHW	2 1/2"	
103	E	SPRUE BOX	CB	3	4	277/	200A	F-E	4"	3/0 SHW	1"	
104	K	SPRUE BOX	CB	3	4	277/	200A	F-K	4"	3/0 SHW	2 1/2"	
105	F	SPRUE BOX	CB	3	4	277/	200A	F-F	4"	3/0 SHW	2 1/2"	
106	F-SHED	SPRUE BOX	CB	3	4	277/	200A	F-F-SHED	4"	3/0 SHW	4-3"	

**DRY TRANSFORMER SCHEDULE**

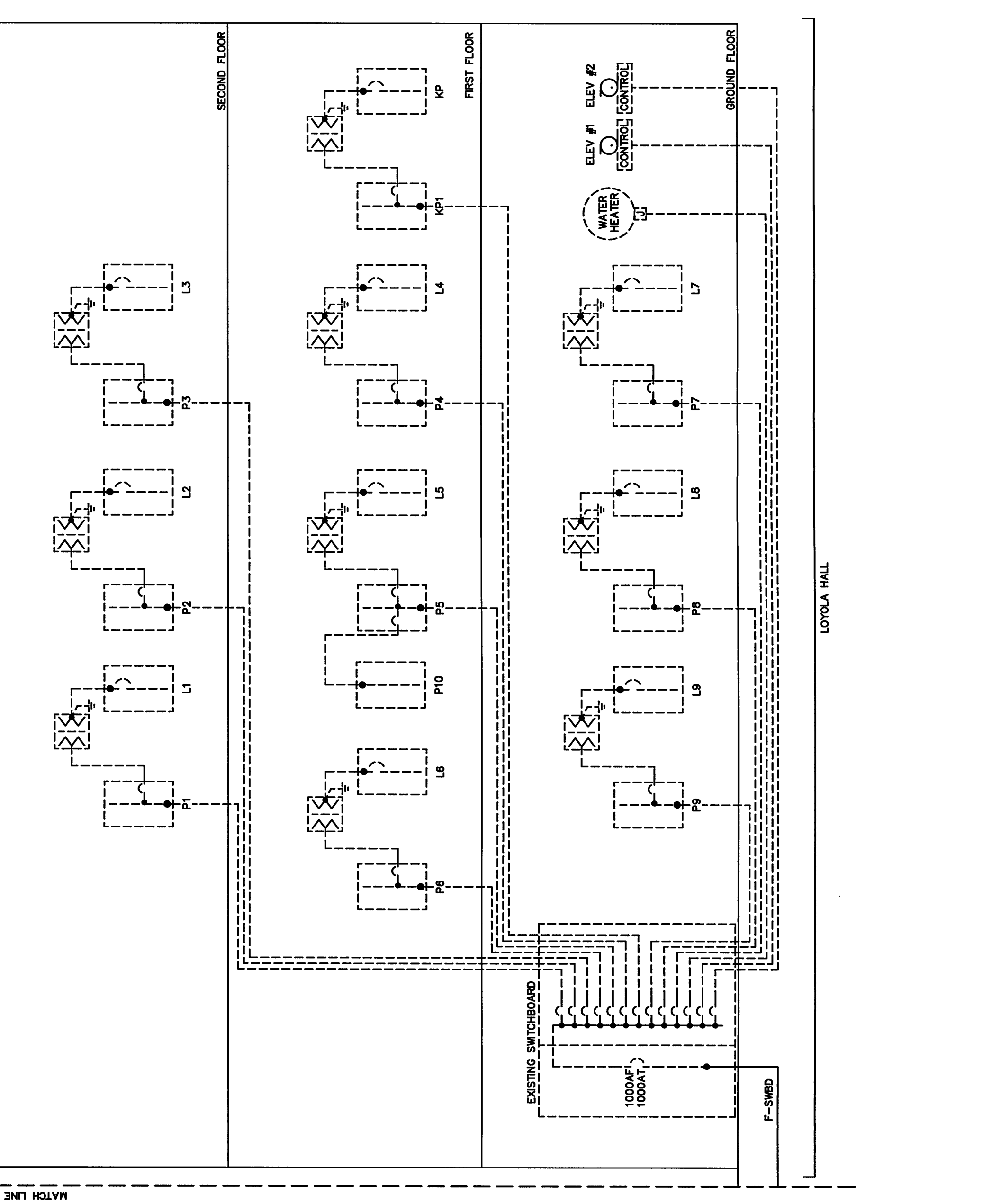
TAG NO.	TYPE	PHASE	NO. OF POLES	NO. OF CIRCUITS	CONDUIT SIZE	WIRE SIZE	TERMINAL BLOCK	NOTES
DT1	150	3	115	2	2"	3"	2-3"	800VA
DT2	112.5	3	115	2	2"	3"	2-3"	400VA

**DRY TRANSFORMER SCHEDULE**  
 NO SCALE  
 REF.

**DRY TRANSFORMER GROUNDING DETAIL**

TAG NO.	TYPE	PHASE	NO. OF POLES	NO. OF CIRCUITS	CONDUIT SIZE	WIRE SIZE	TERMINAL BLOCK	NOTES
DT1	150	3	115	2	2"	3"	2-3"	800VA
DT2	112.5	3	115	2	2"	3"	2-3"	400VA

**DRY TRANSFORMER GROUNDING DETAIL**  
 NO SCALE  
 REF.



**NEW POWER RISER DIAGRAM**  
 NO SCALE  
 REF.