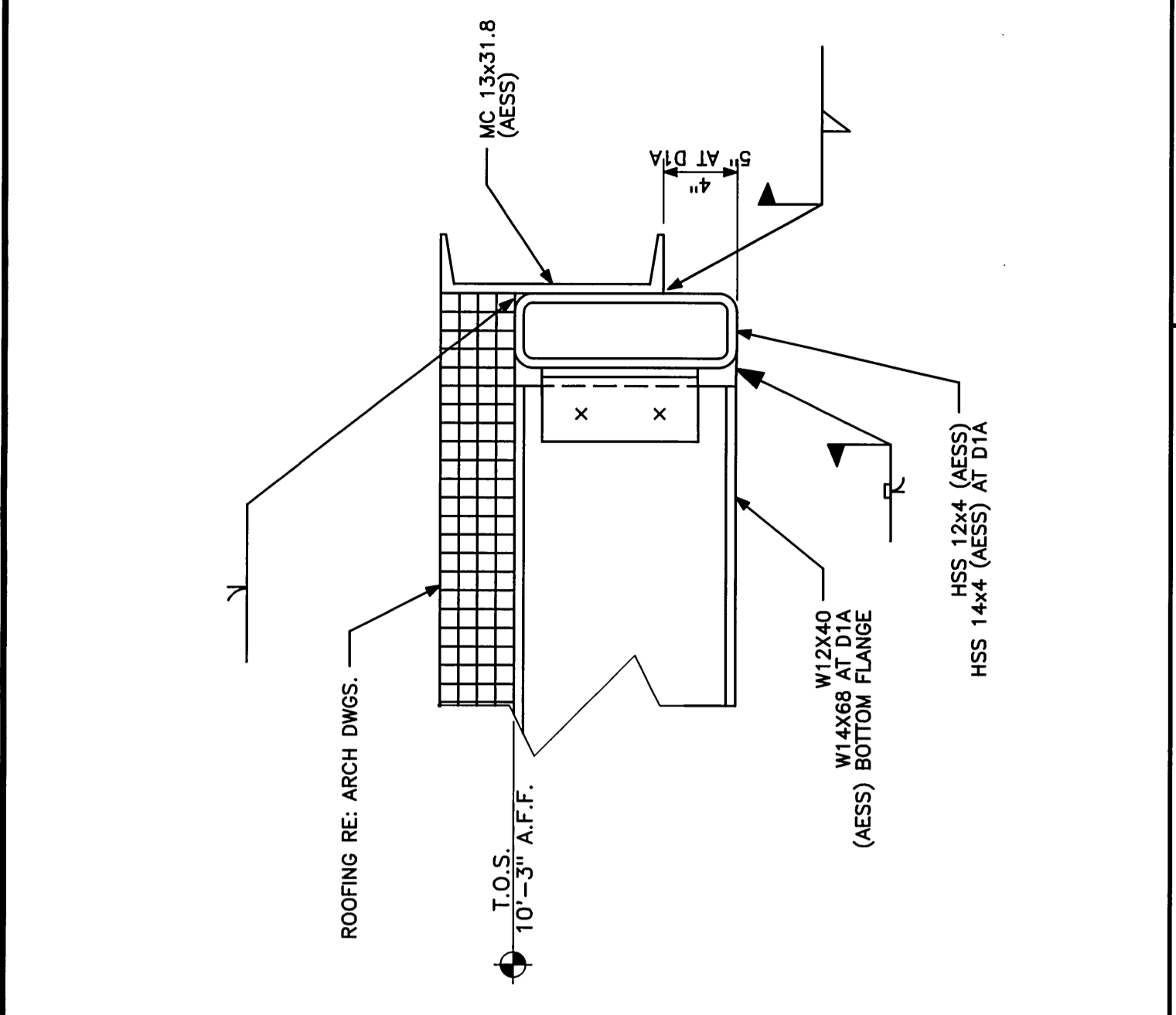
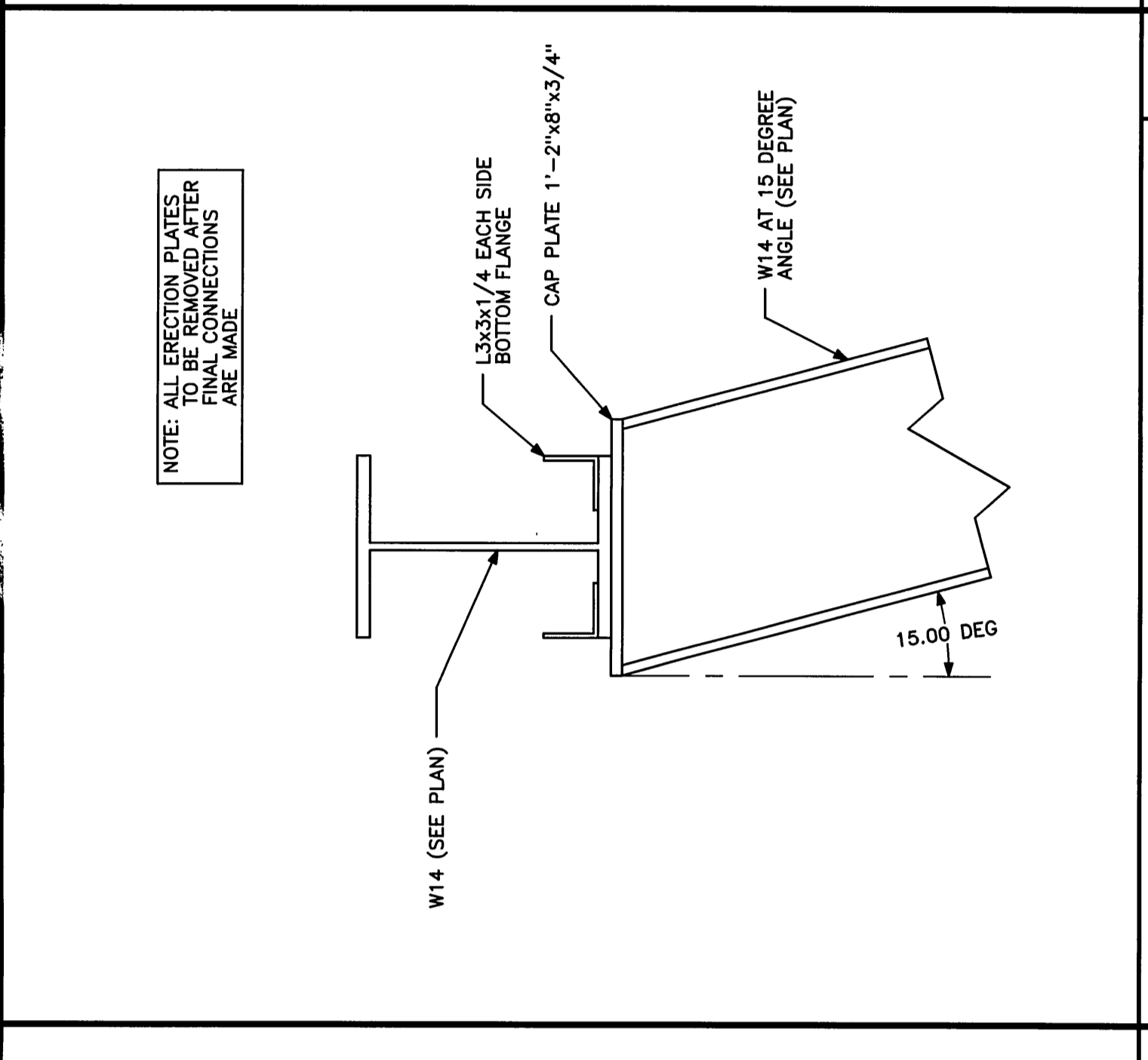


Mark	Date	Description
05-28-04		ISSUED FOR BID
05-17-04		OWNER REVIEW

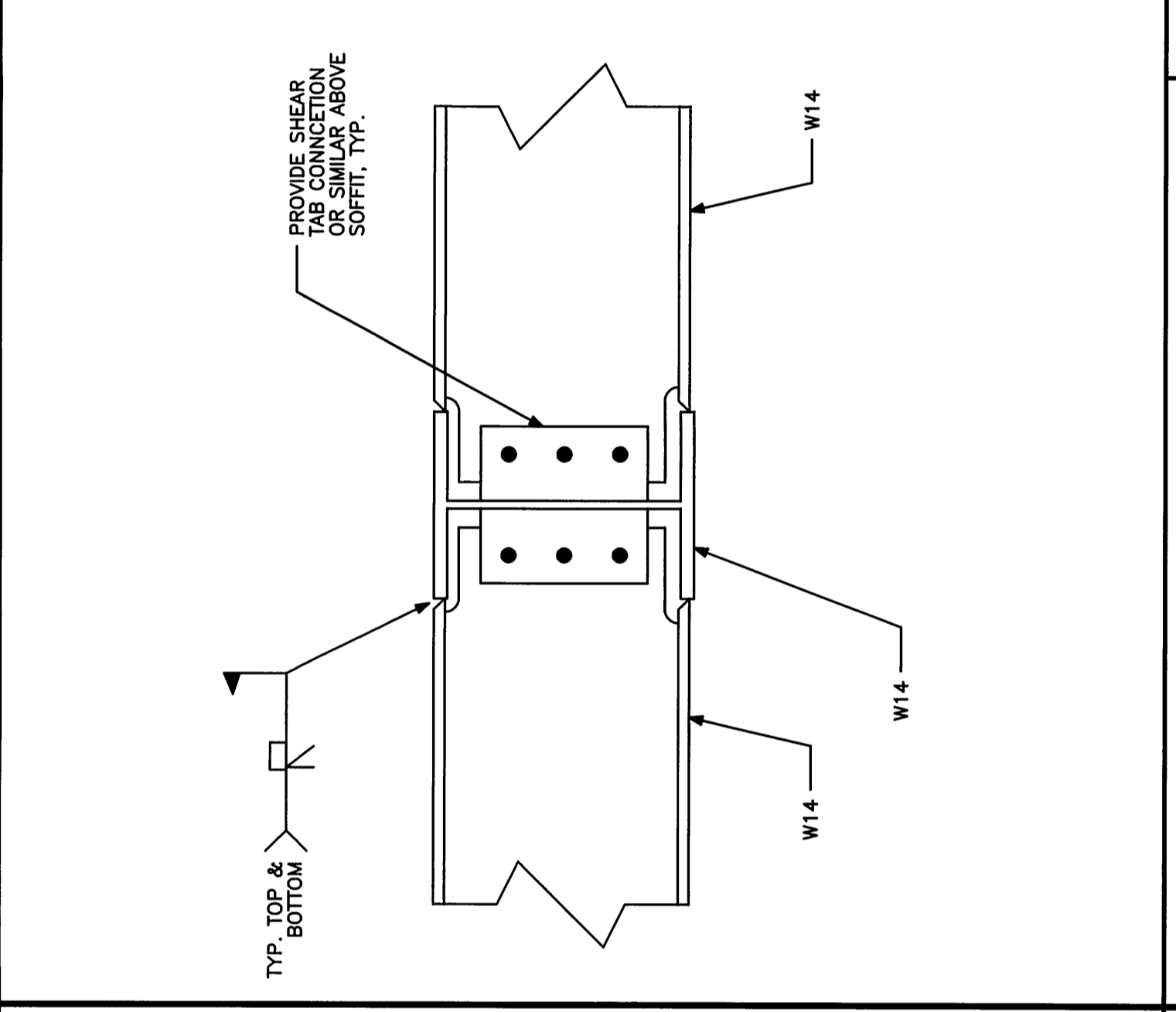
FRAMING DETAILS	
PK / RE	Drawn By: GPC
Drawing Number: S60.2	



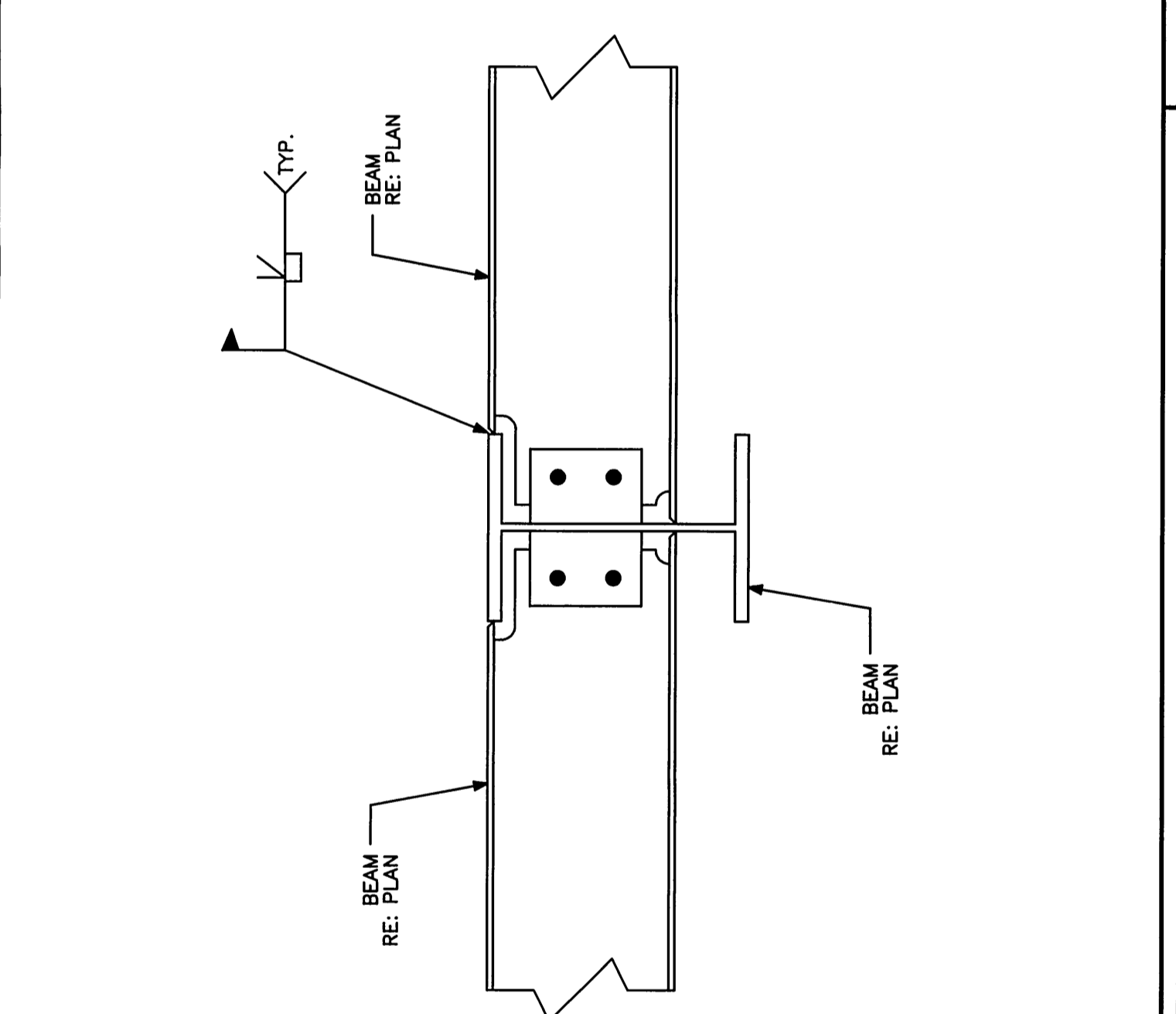
D1 / D1A
 SECTION
 NO SCALE
 REF: NA



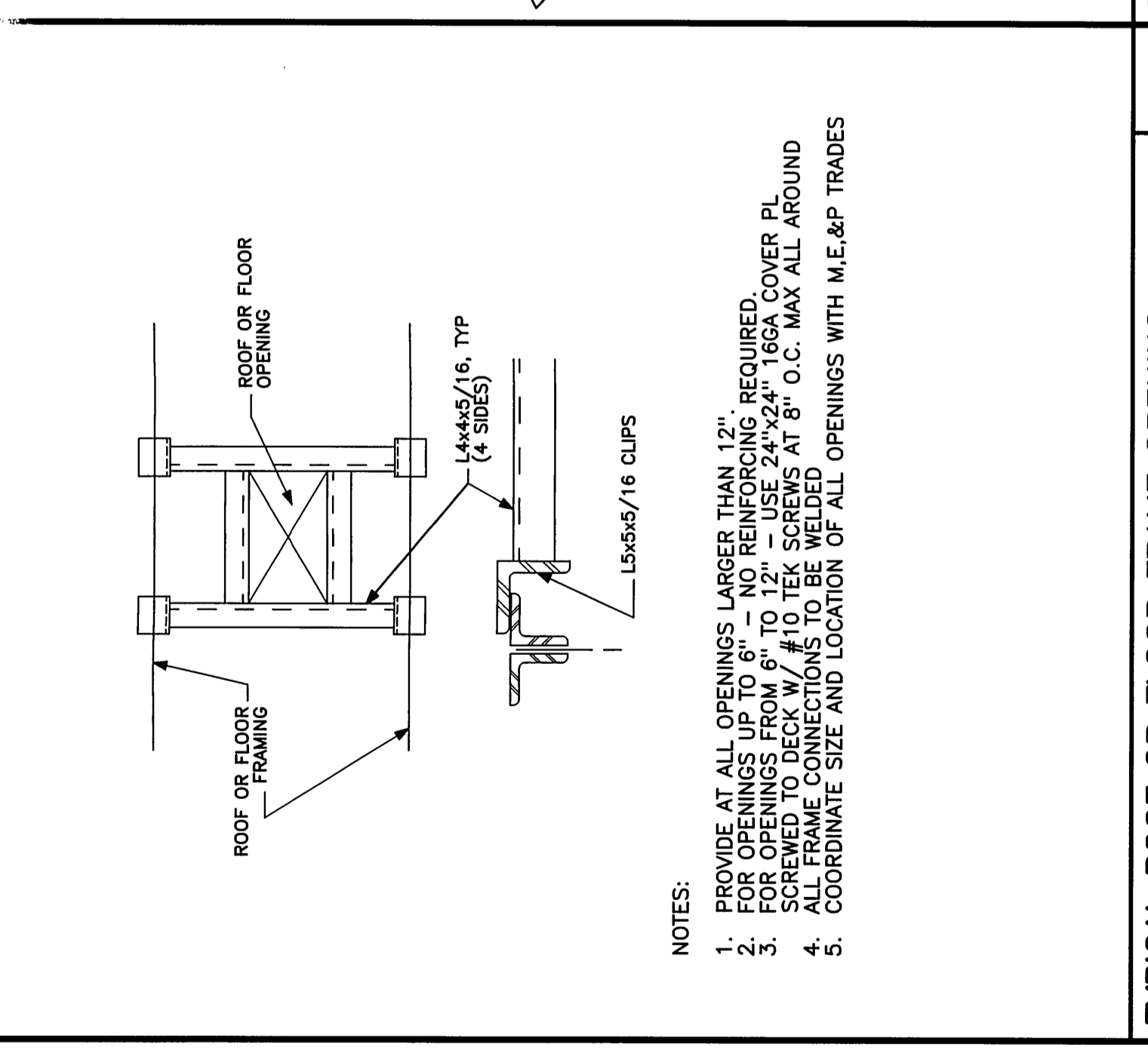
D2
 SECTION
 1/2" = 1'-0"
 REF: NA



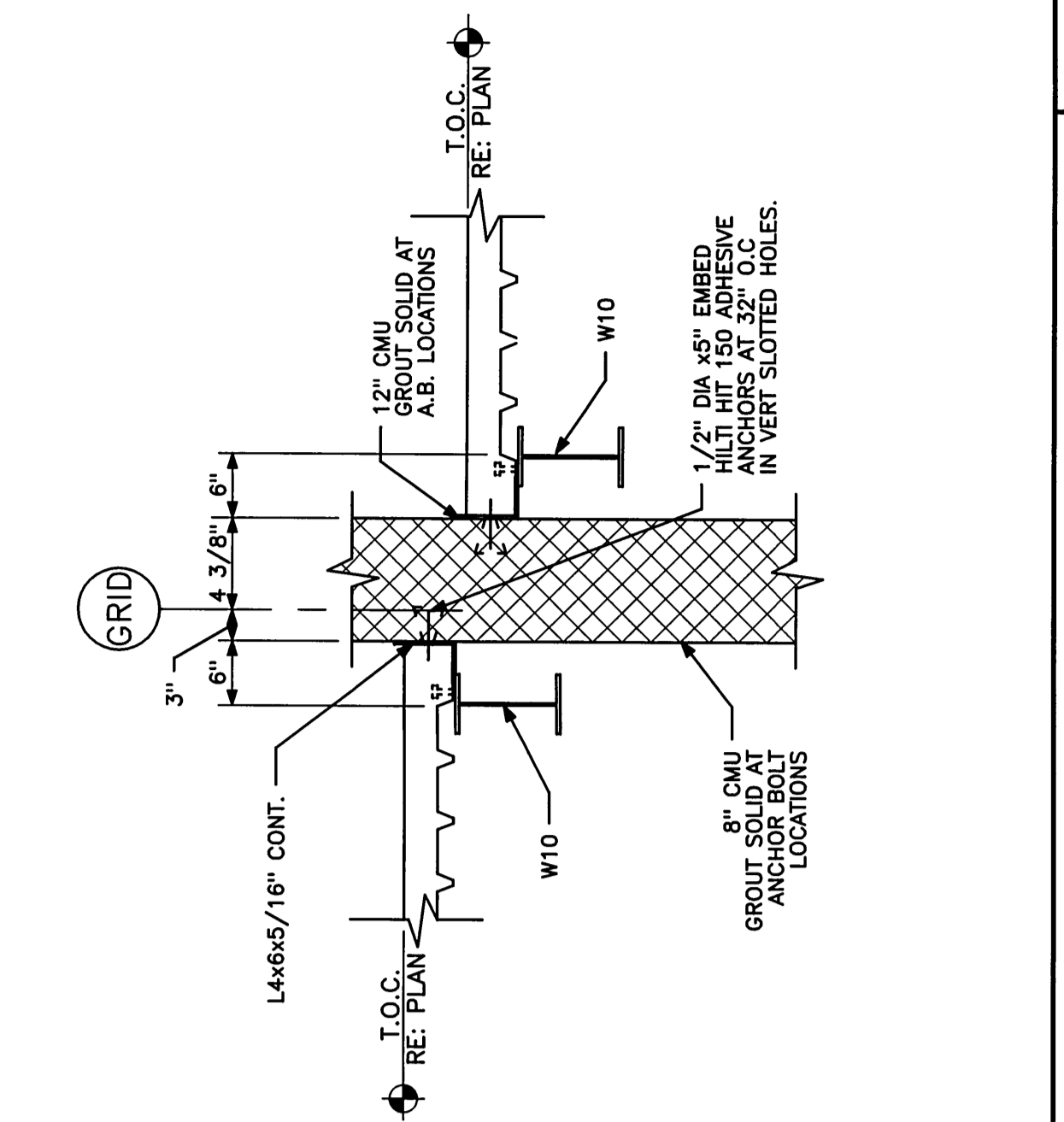
D3
 SECTION
 1/2" = 1'-0"
 REF: NA



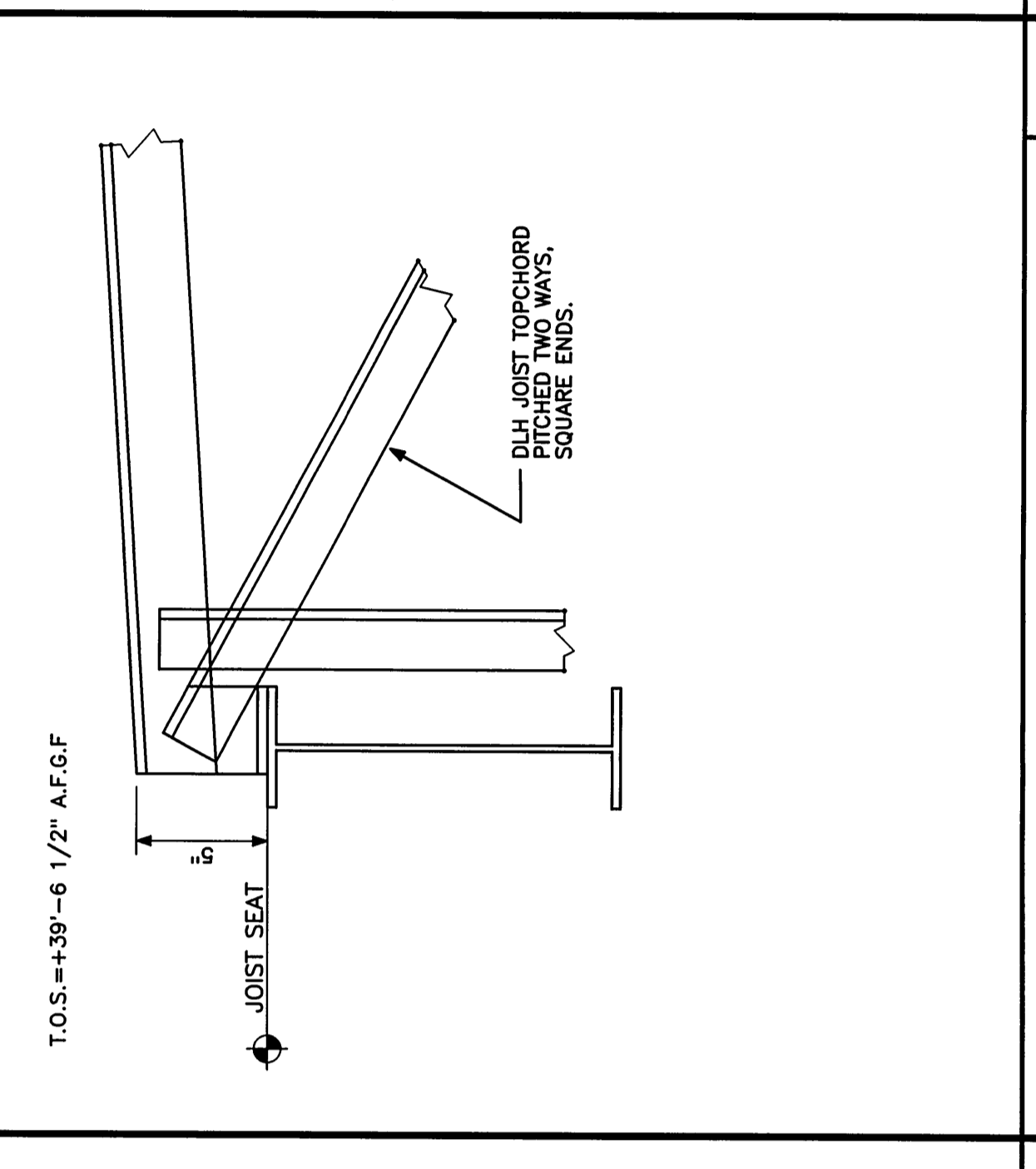
D4
 SECTION
 1/2" = 1'-0"
 REF: NA



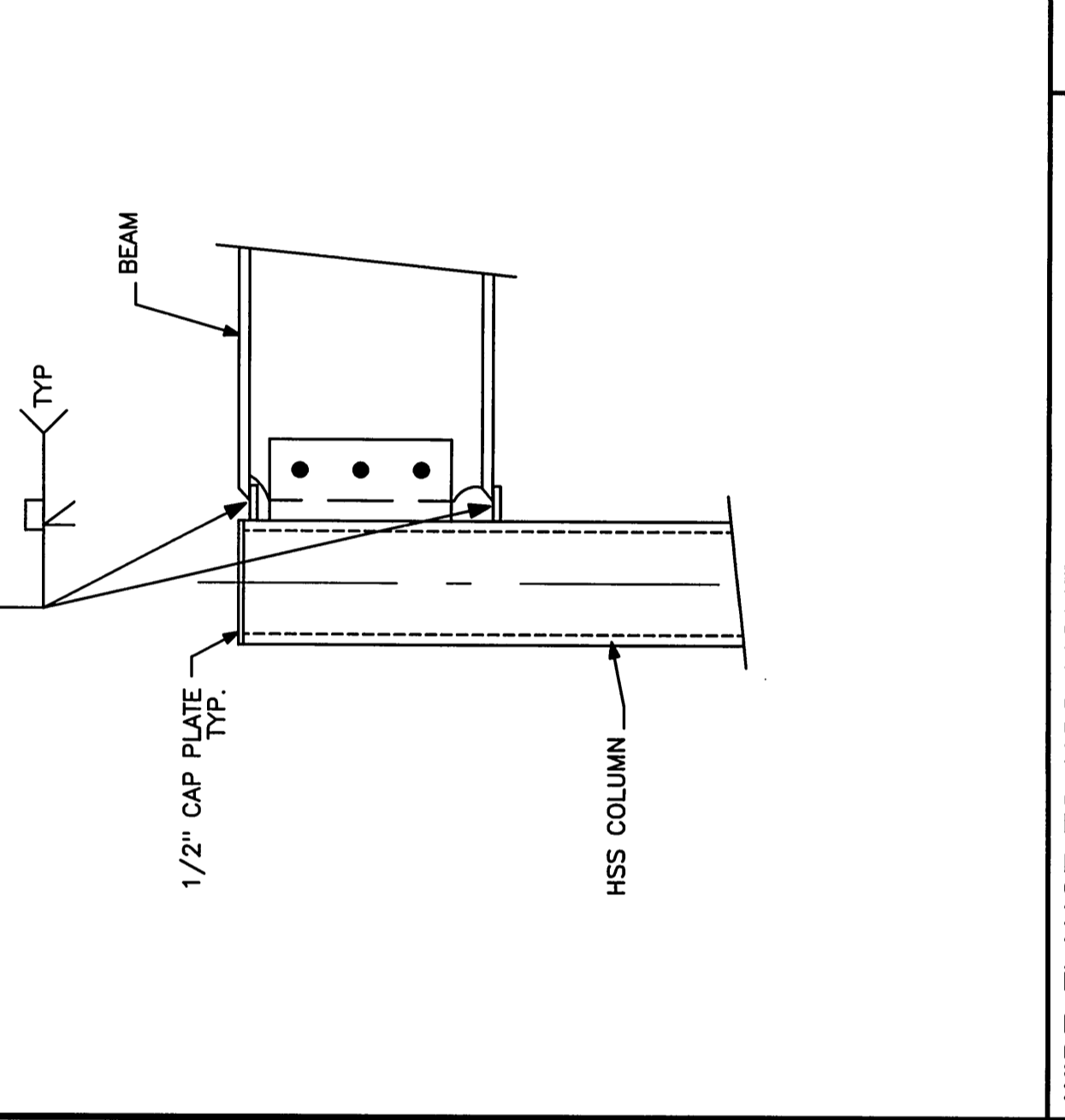
D5
 SECTION
 NO SCALE
 REF: NA



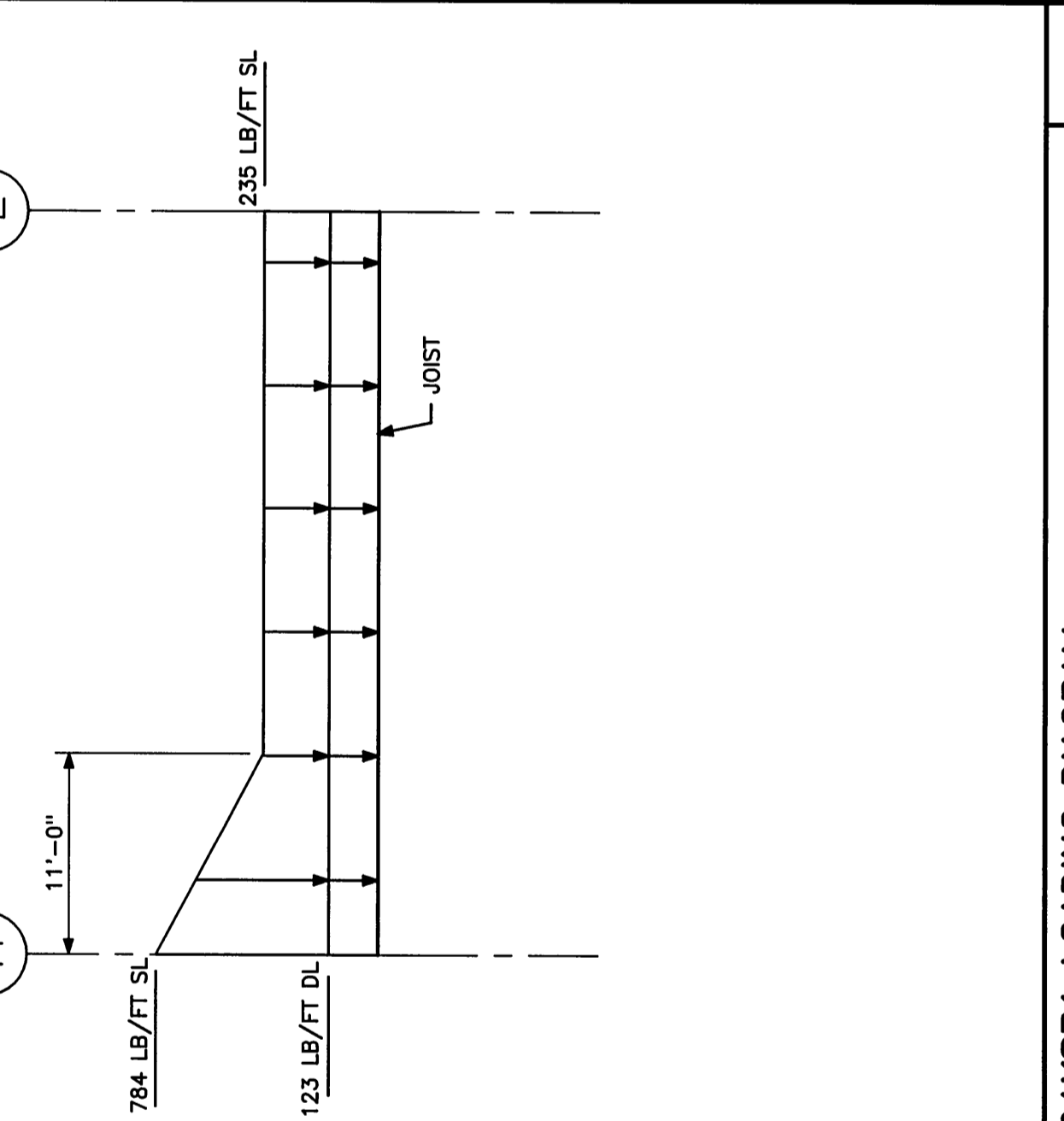
C1
 SECTION AT CMU SHEAR WALL
 3/4" = 1'-0"
 REF: NA



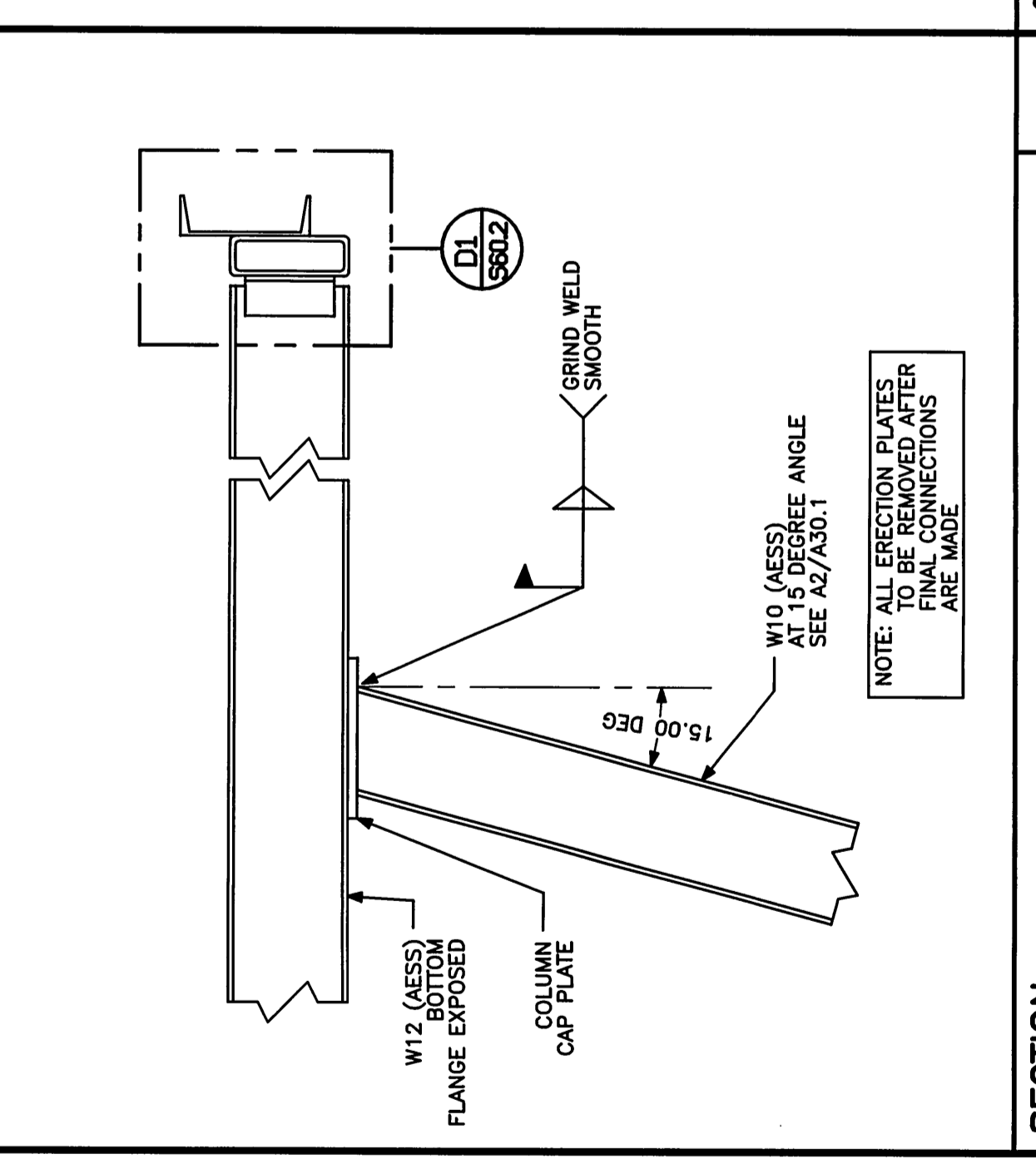
C2
 TYPICAL GYM JOIST BEARING DETAIL
 NO SCALE
 REF: NA



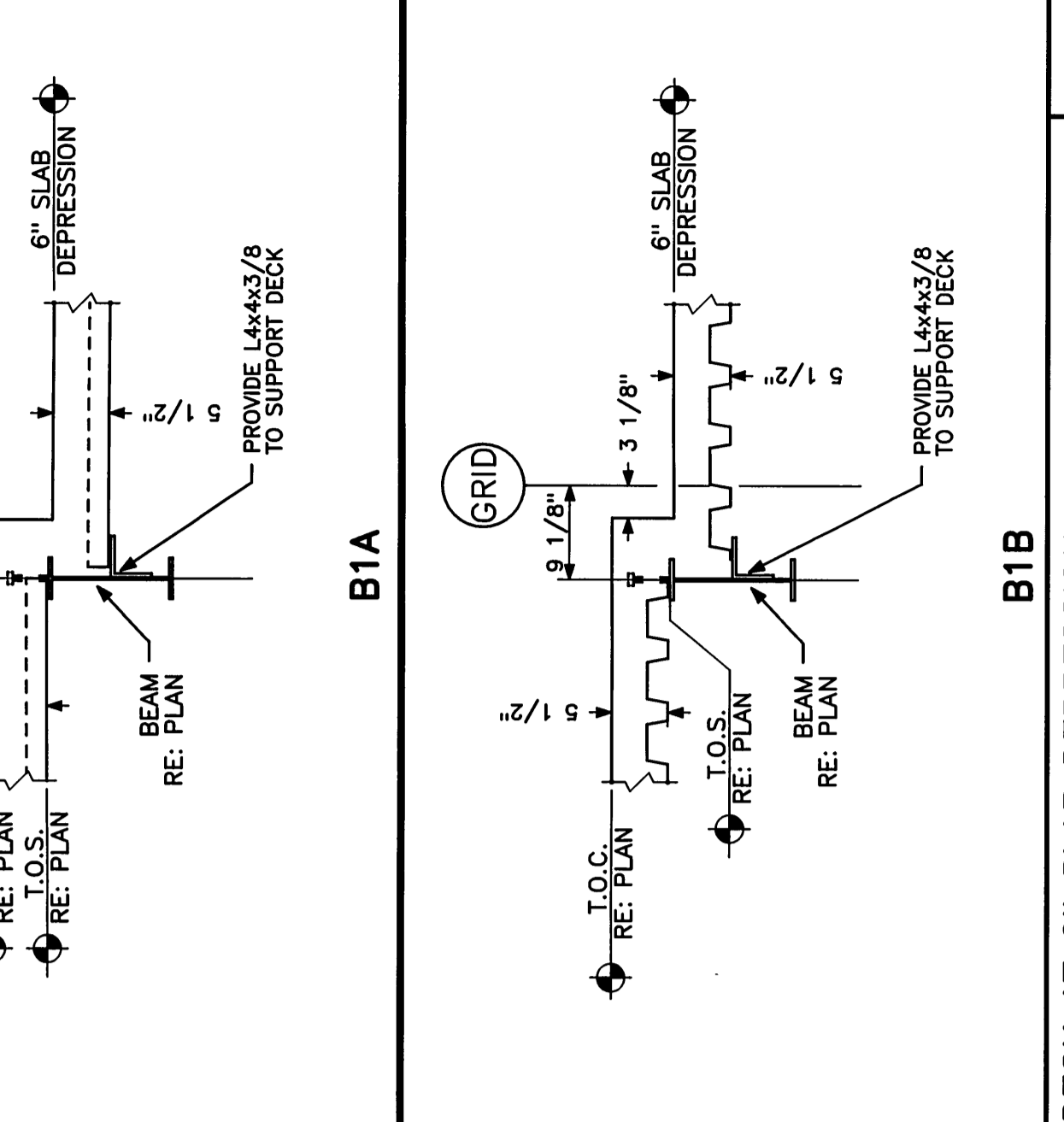
C3
 WIDE FLANGE TO HSS MOMENT CONNECTION
 NO SCALE
 REF: NA



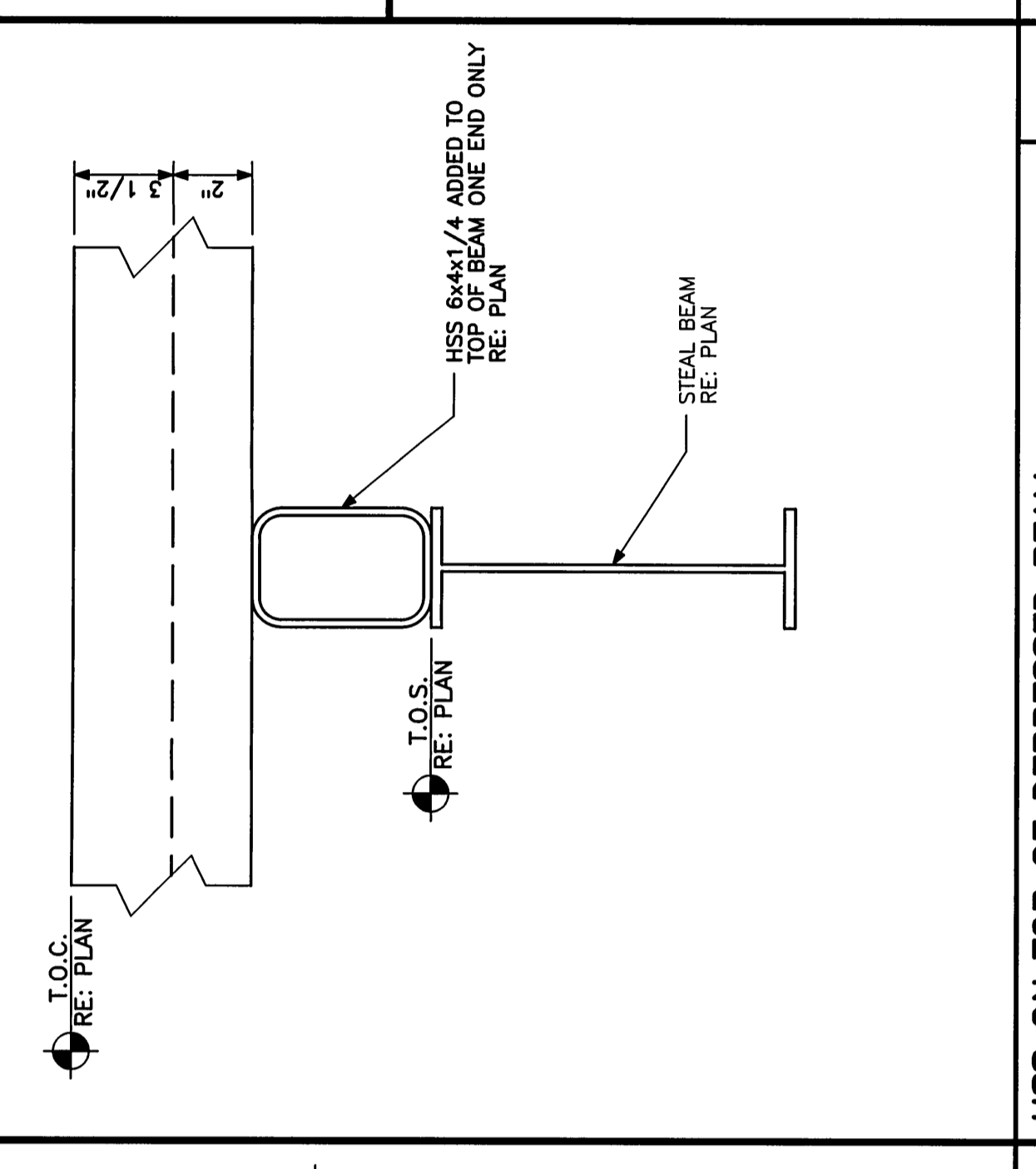
C4
 24KSP1 LOADING DIAGRAM
 NO SCALE
 REF: NA



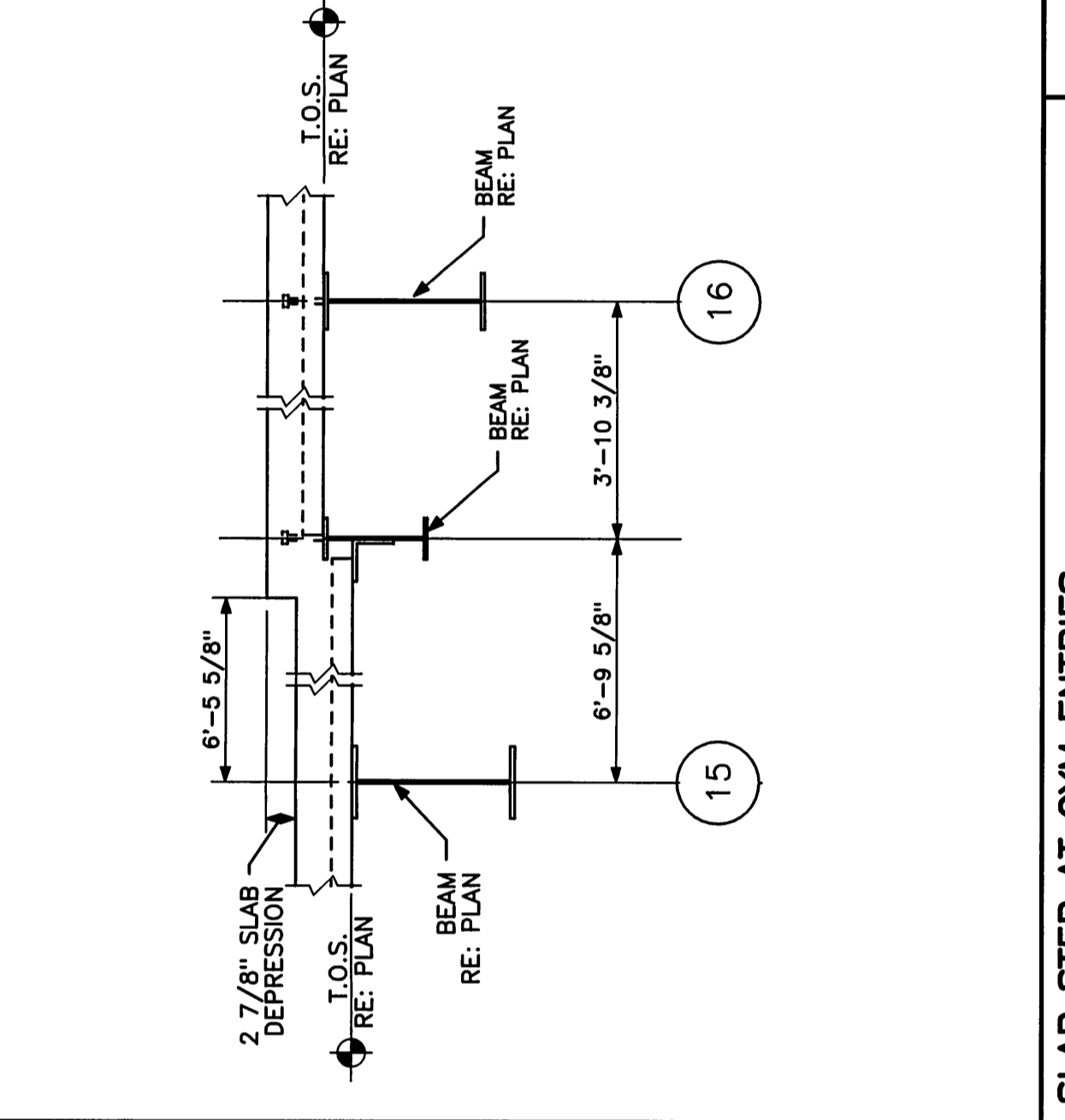
C5
 SECTION
 3/4" = 1'-0"
 REF: NA



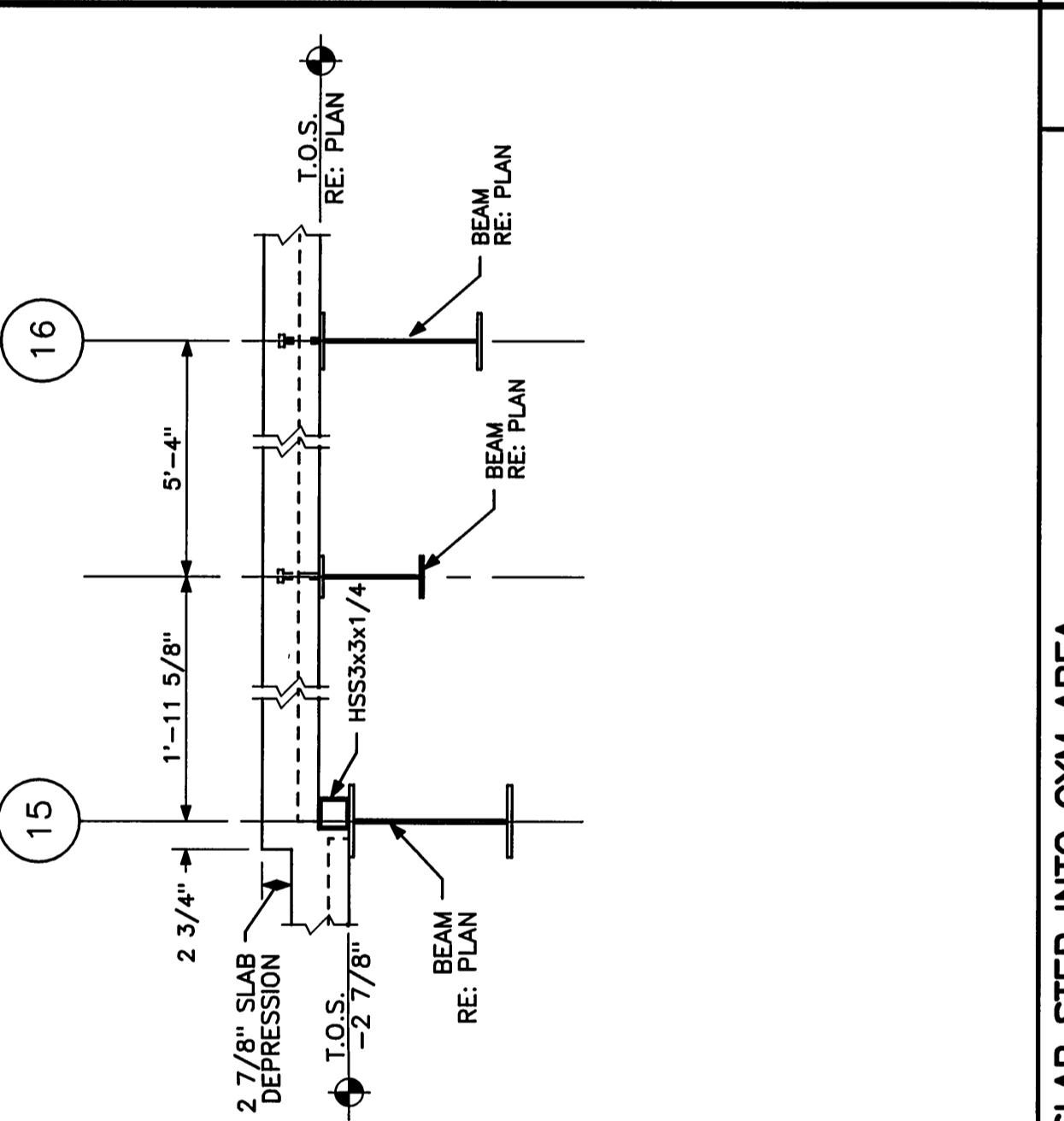
B1
 DECK AT 6" SLAB DEPRESSION
 NO SCALE
 REF: NA



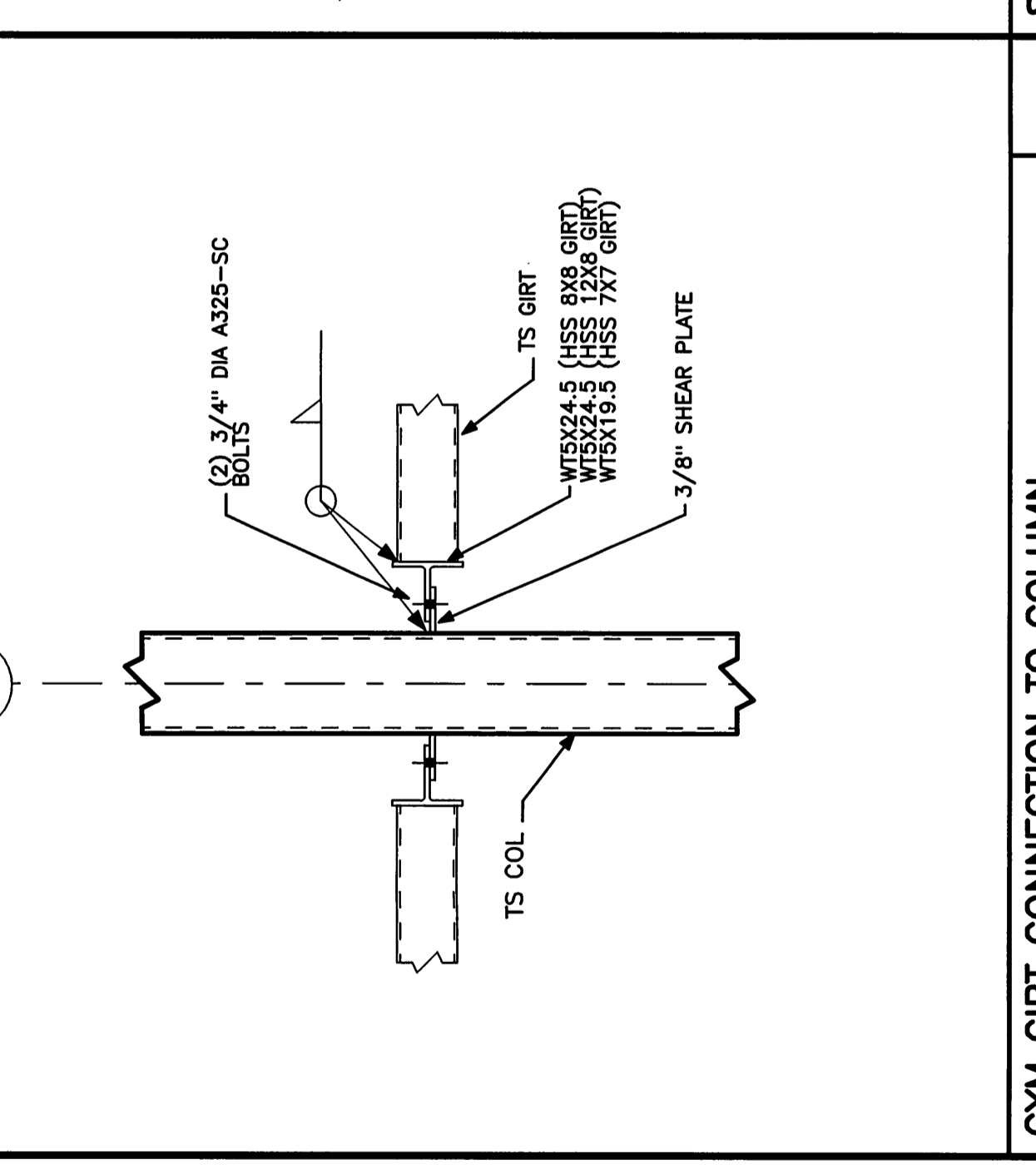
B2
 HSS ON TOP OF DEPRESSED BEAM
 3" = 1'-0"
 REF: NA



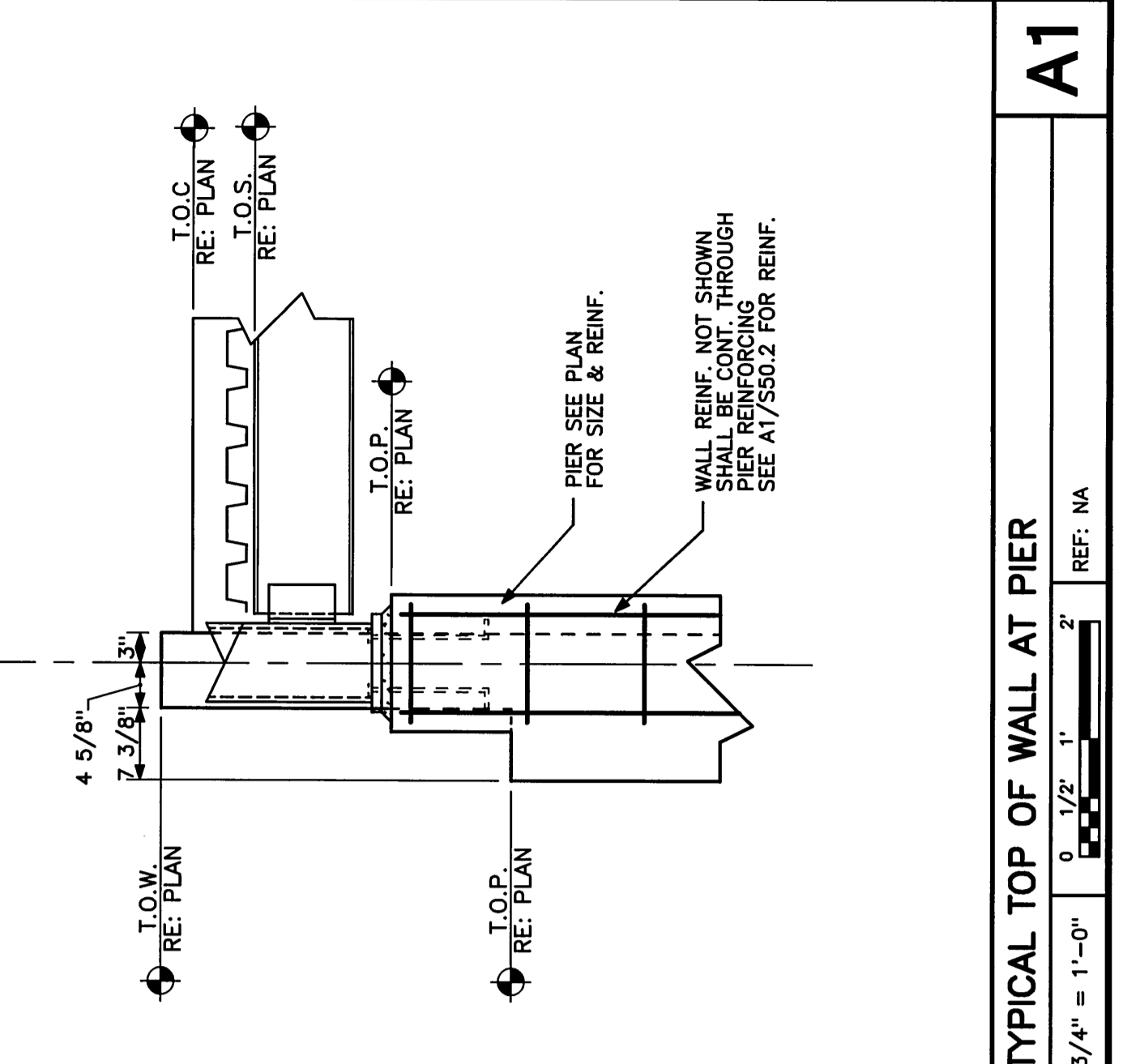
B3
 SLAB STEP AT GYM ENTRIES
 NO SCALE
 REF: NA



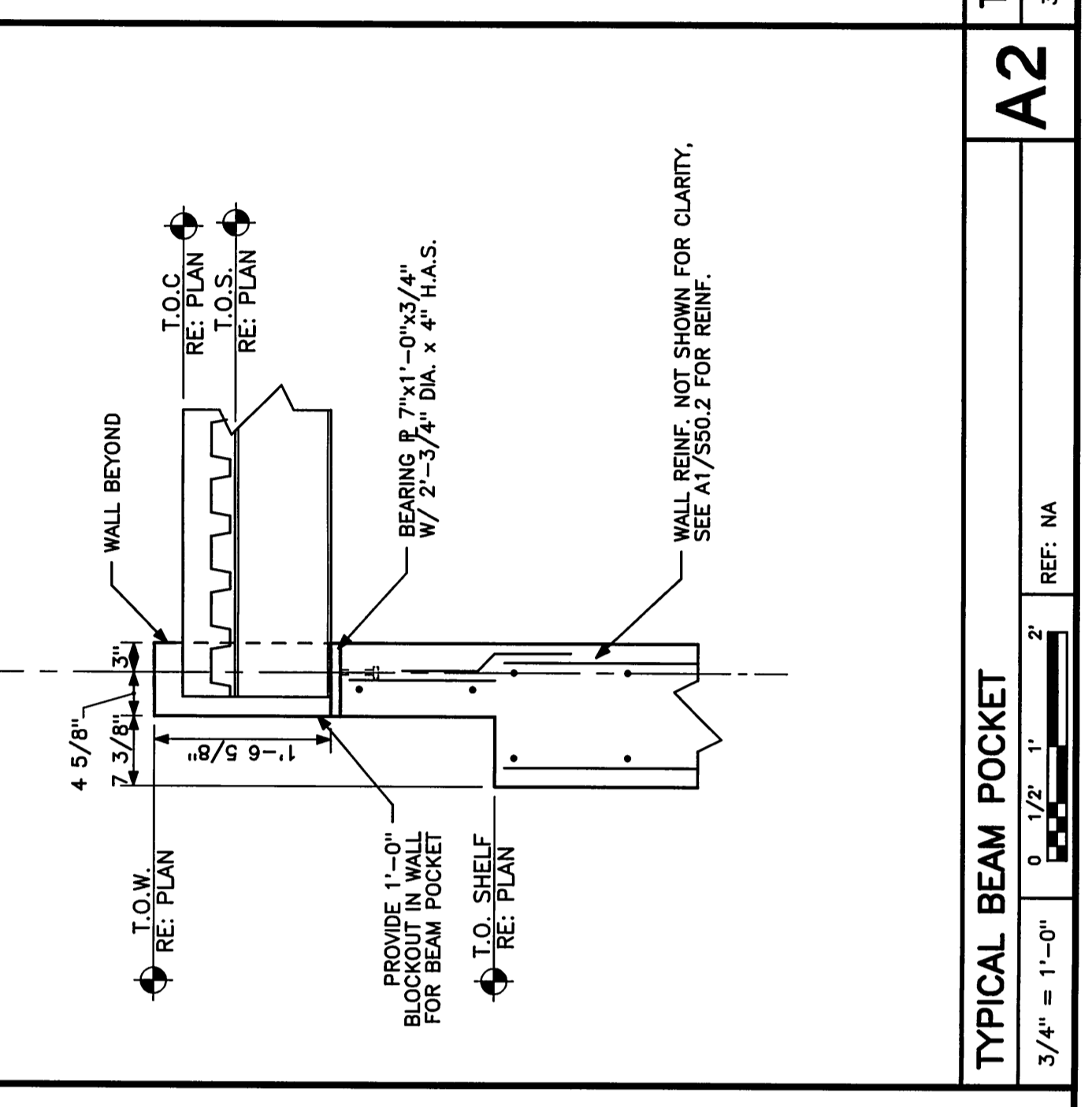
B4
 SLAB STEP INTO GYM AREA
 NO SCALE
 REF: NA



B5
 GYM GIRT CONNECTION TO COLUMN
 3/4" = 1'-0"
 REF: NA



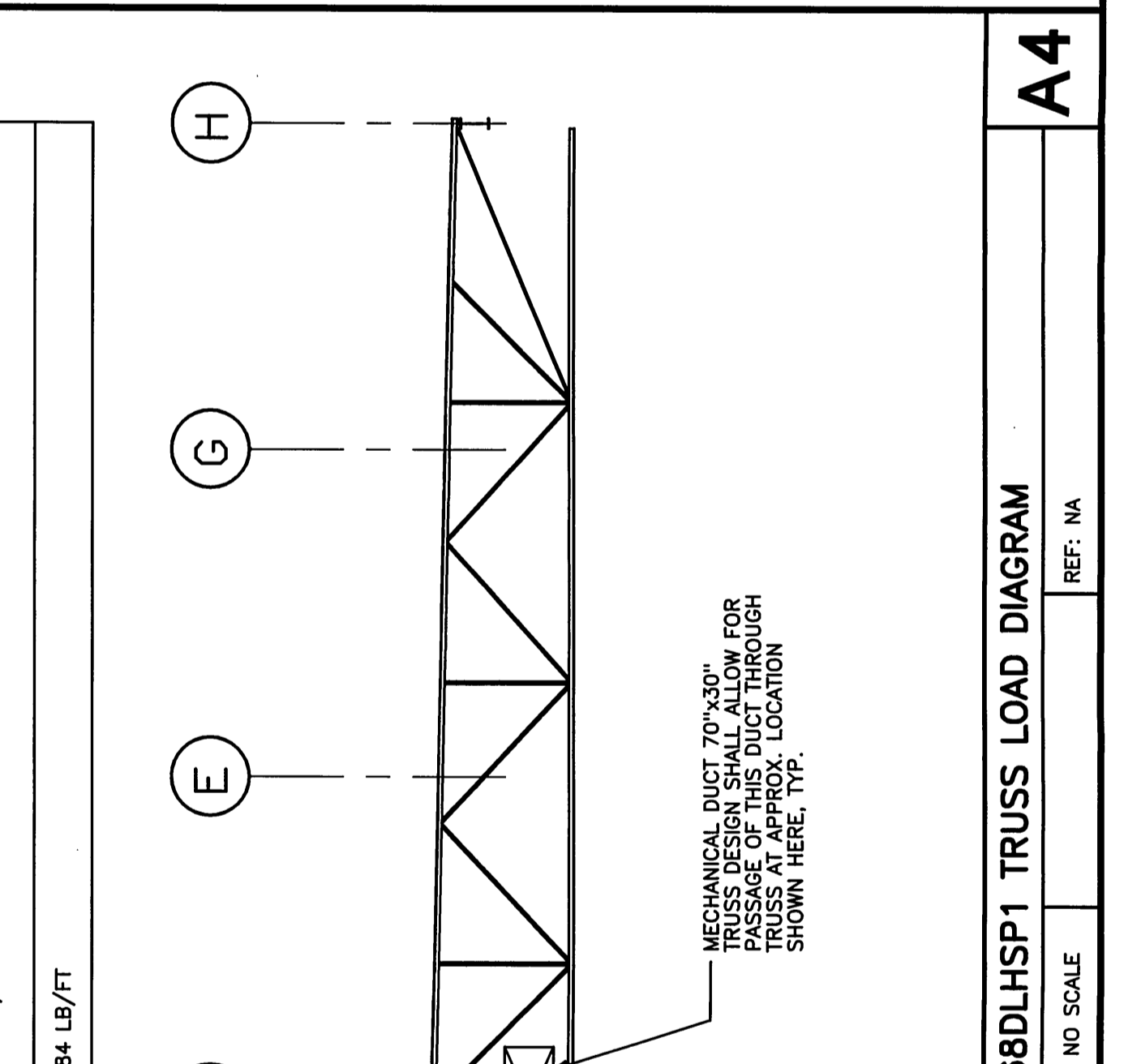
A1
 TYPICAL TOP OF WALL AT PIER
 3/4" = 1'-0"
 REF: NA



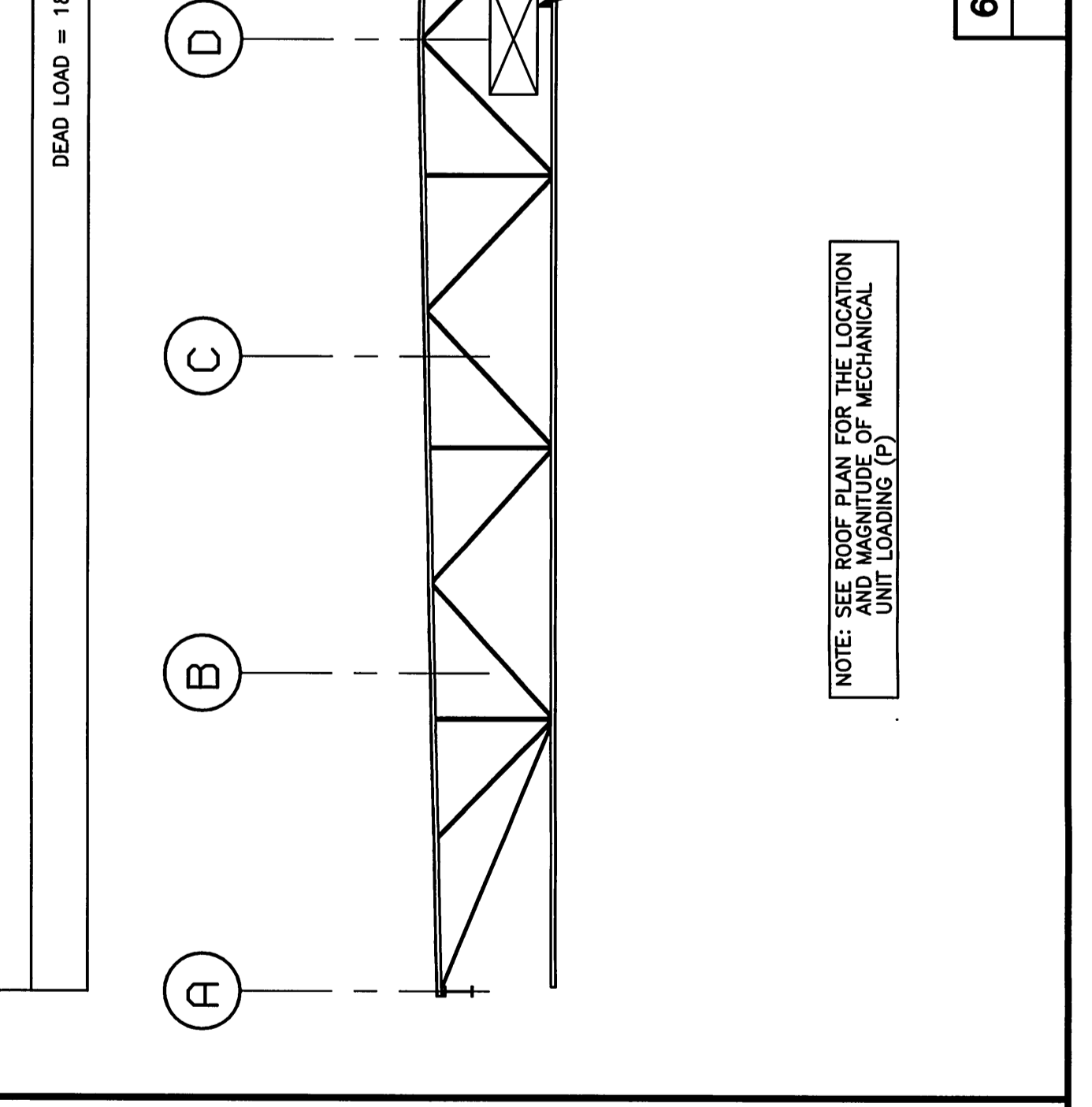
A2
 TYPICAL BEAM POCKET
 3/4" = 1'-0"
 REF: NA



A3
 SLAB STEP AT GYM ENTRIES
 NO SCALE
 REF: NA



A4
 6BDLHSP1 TRUSS LOAD DIAGRAM
 NO SCALE
 REF: NA



A5
 SECTION
 3/4" = 1'-0"
 REF: NA