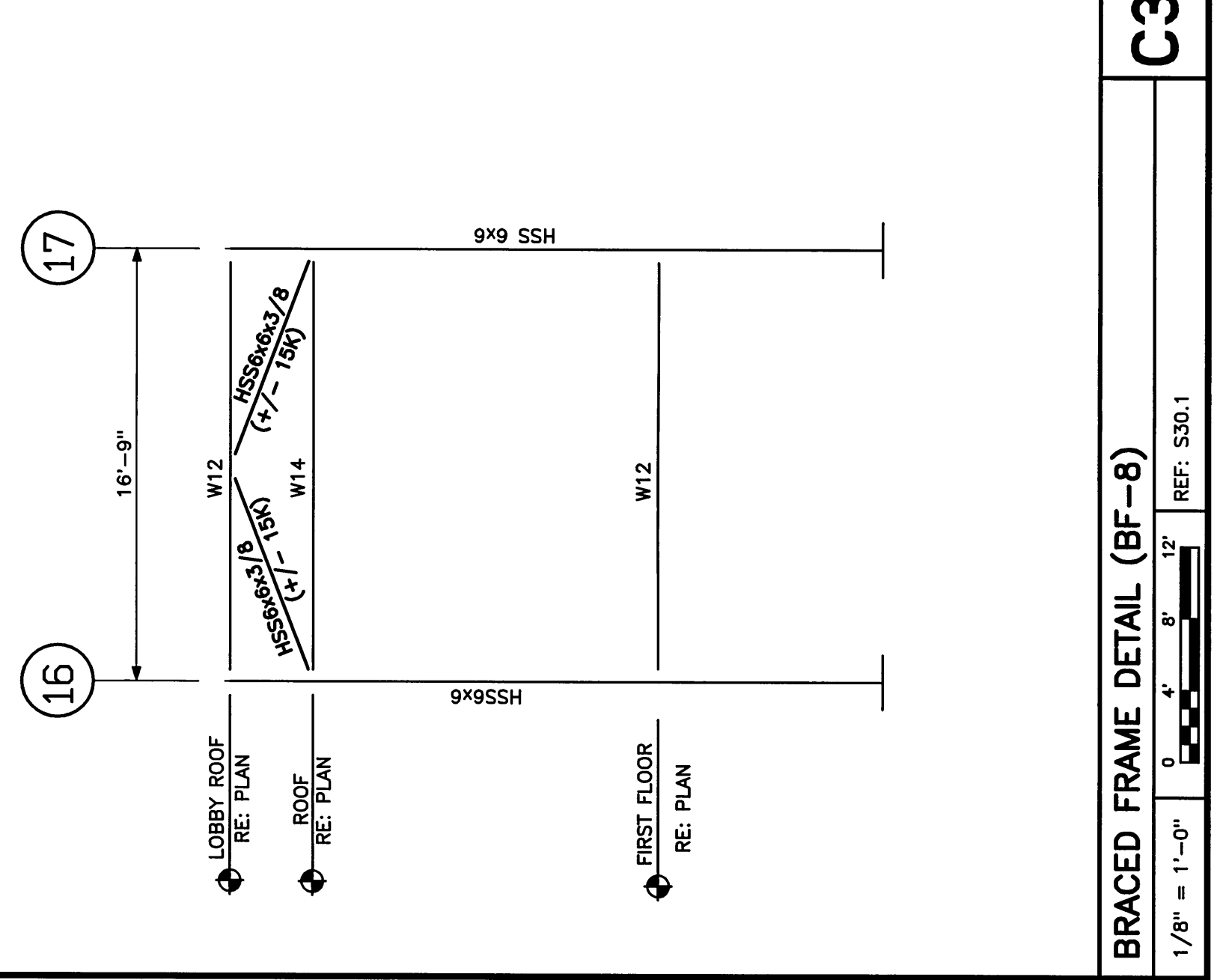
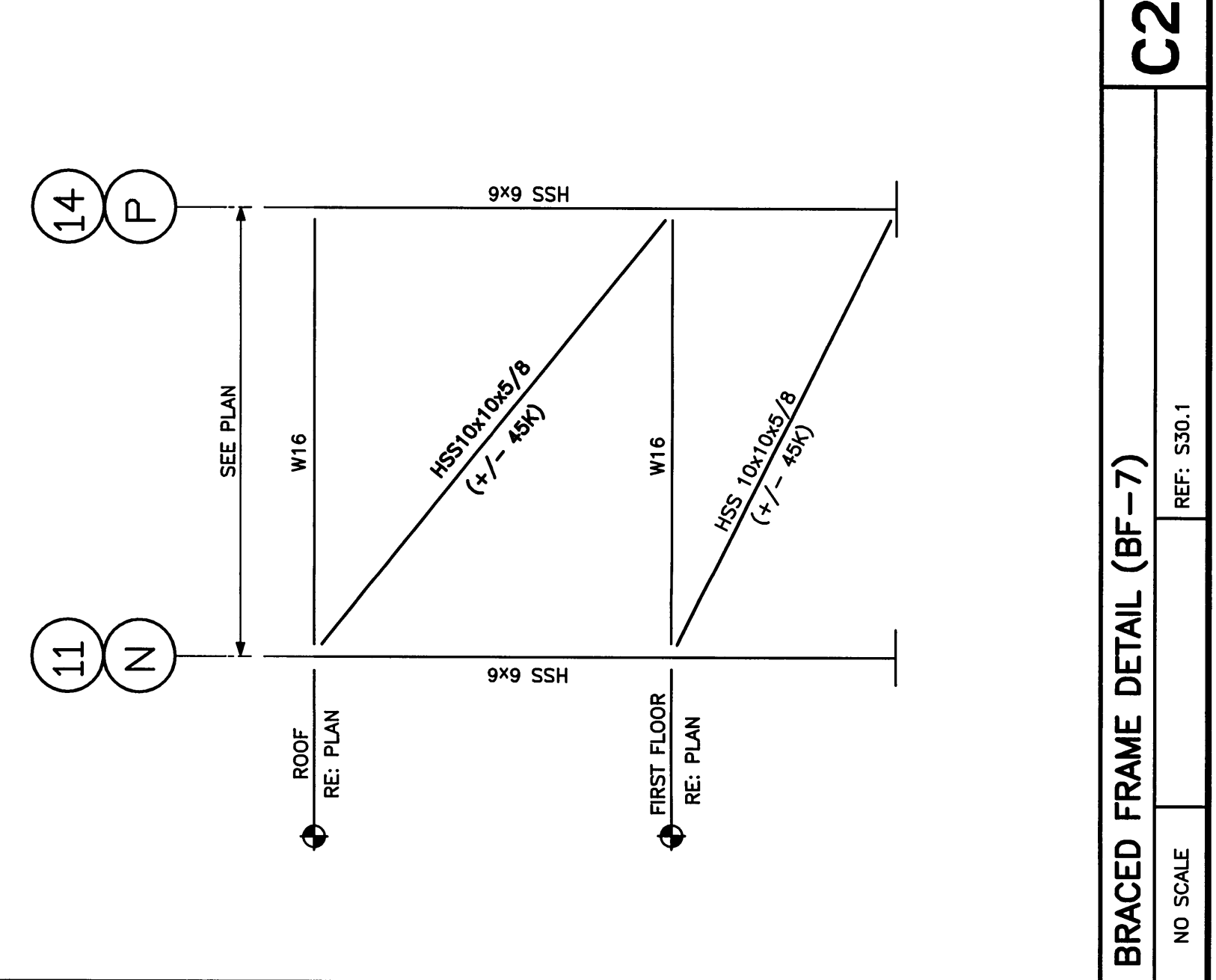
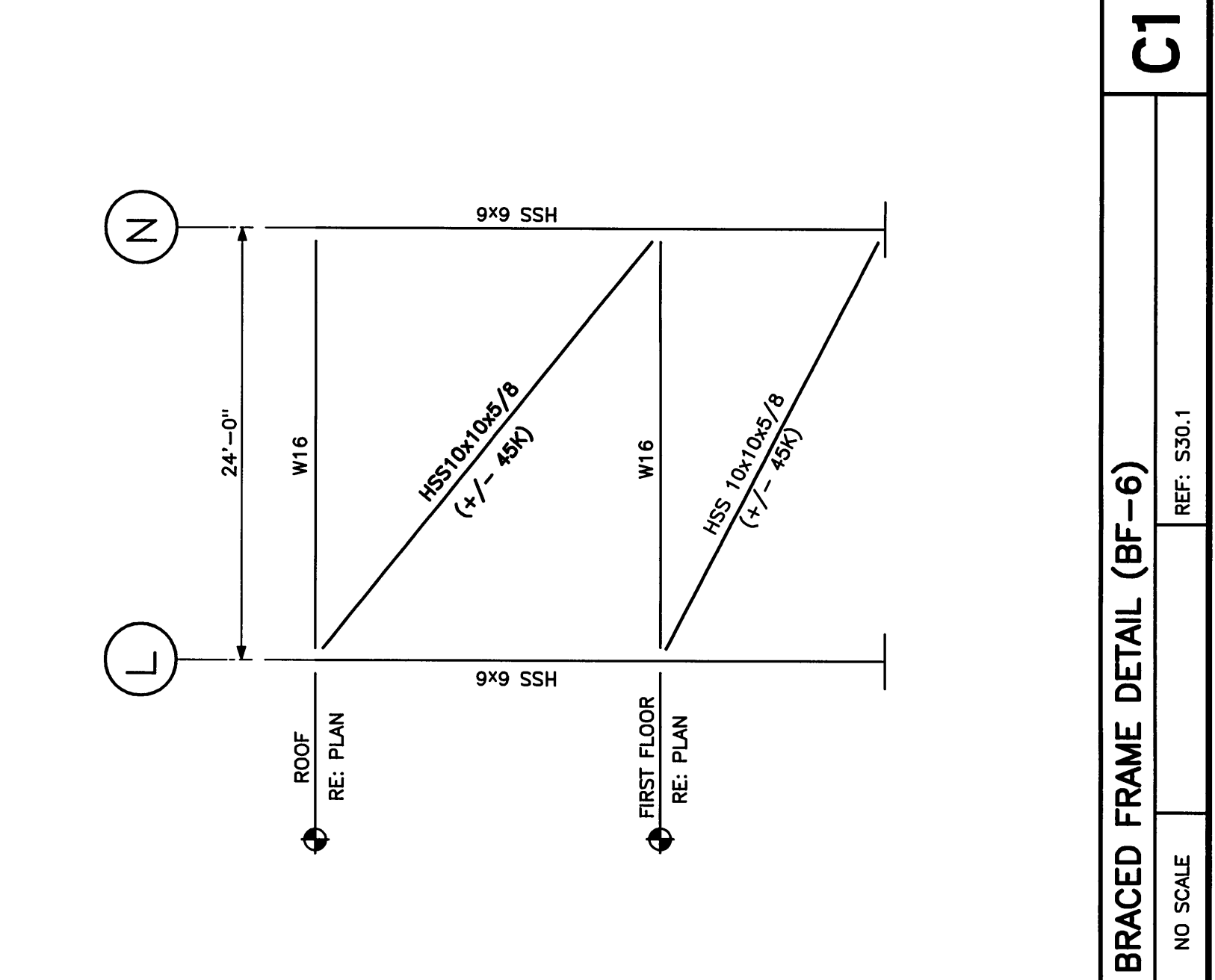


**D1**  
 BRACE DETAIL  
 NO SCALE  
 REF. S30.1

**D2**  
 BRACE DETAIL  
 NO SCALE  
 REF. S30.1

**D3**  
 BRACE DETAIL  
 NO SCALE  
 REF. S30.1

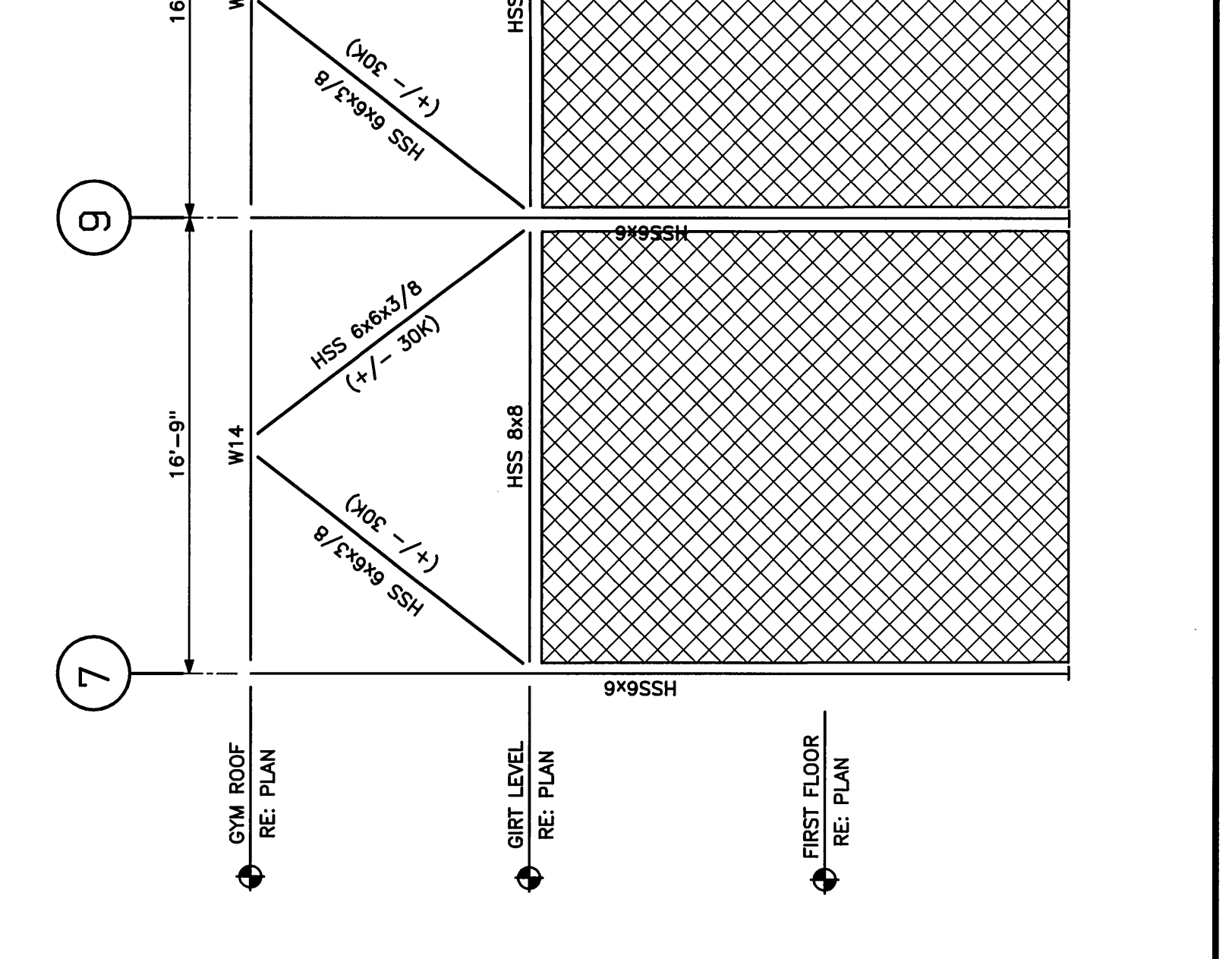
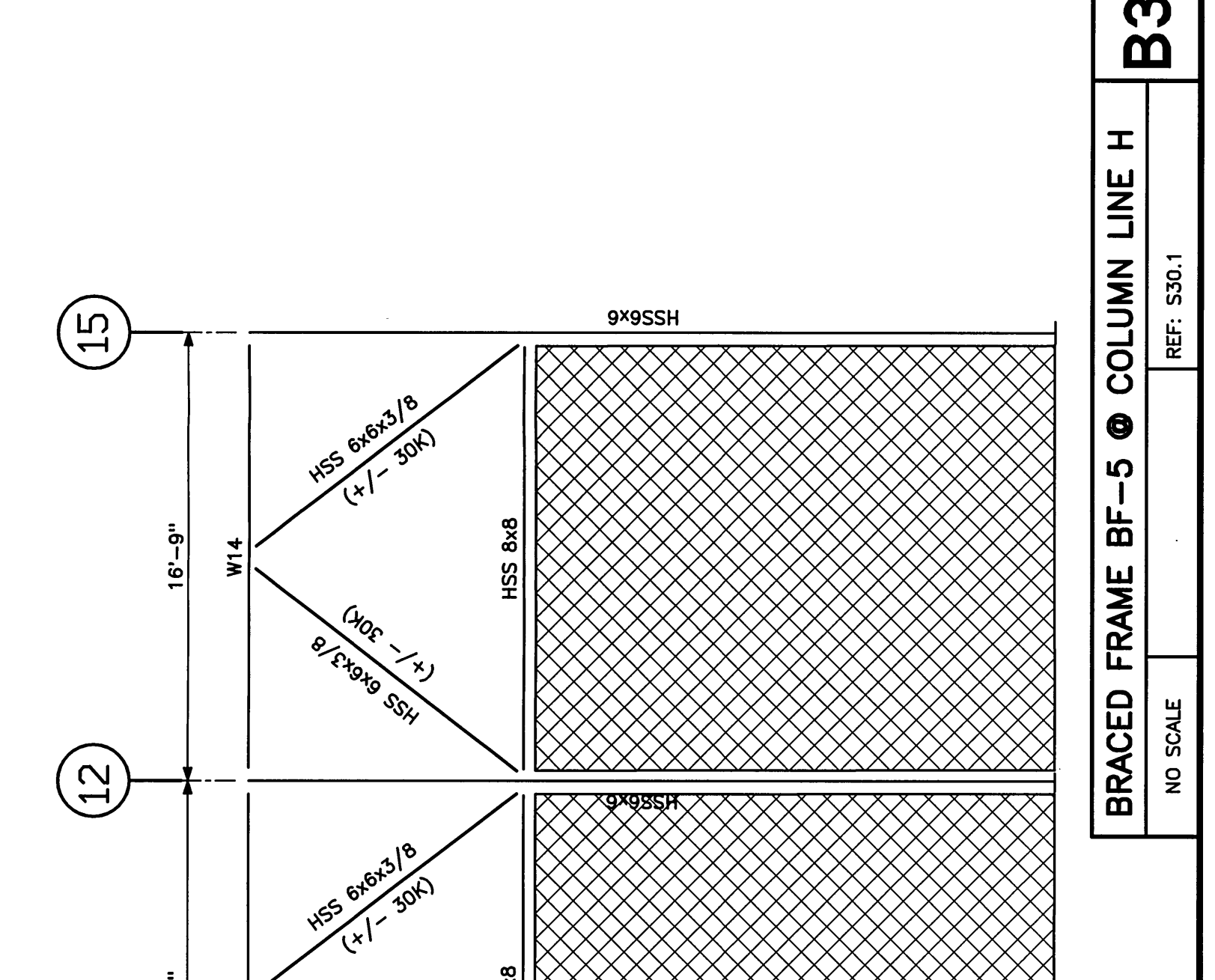
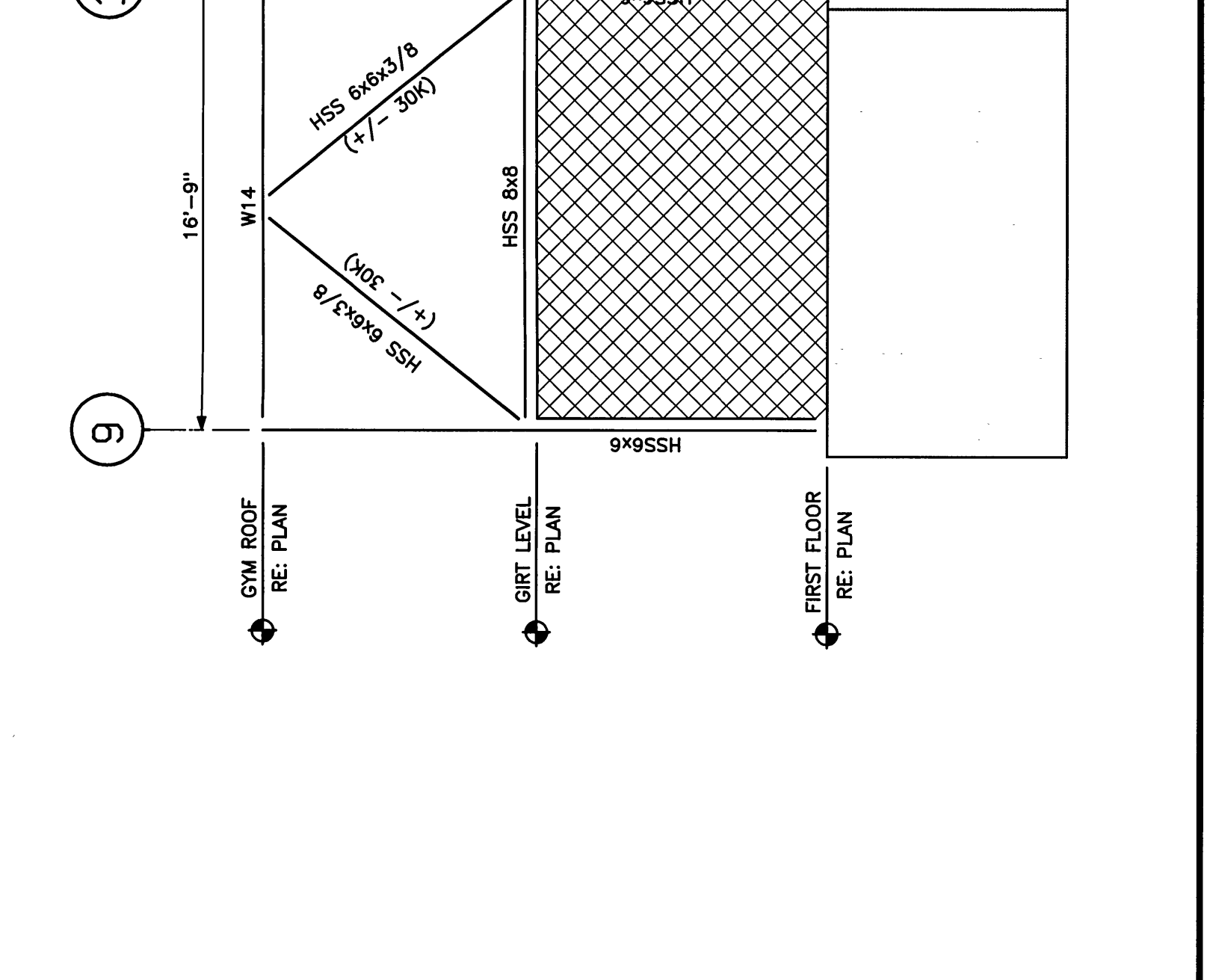
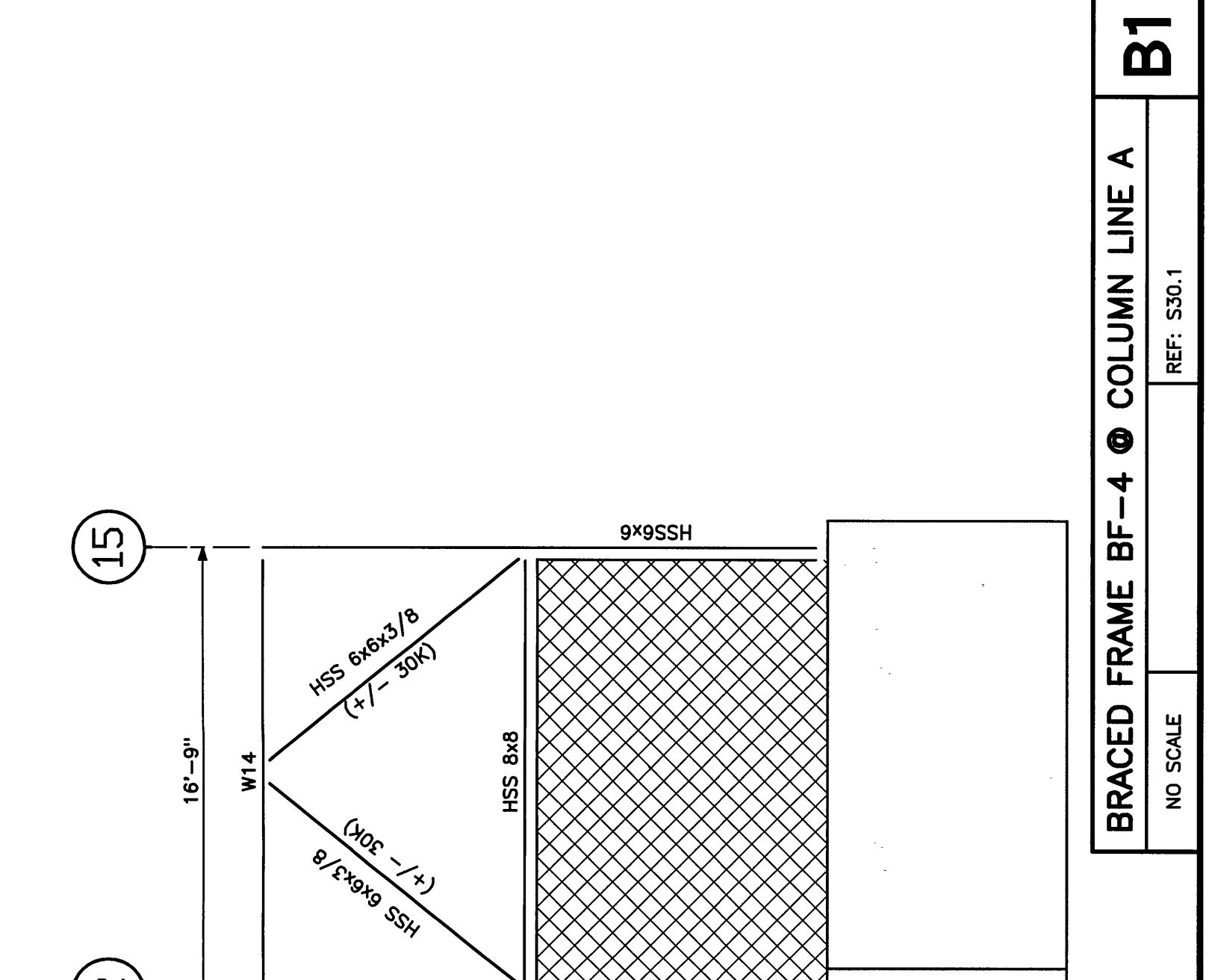
**D4**  
 SHEAR WALL CONNECTION DETAIL  
 NO SCALE  
 REF. S40.1



**C1**  
 BRACED FRAME DETAIL (BF-6)  
 NO SCALE  
 REF. S30.1

**C2**  
 BRACED FRAME DETAIL (BF-7)  
 NO SCALE  
 REF. S30.1

**C3**  
 BRACED FRAME DETAIL (BF-8)  
 1/8" = 1'-0"  
 NO SCALE  
 REF. S30.1

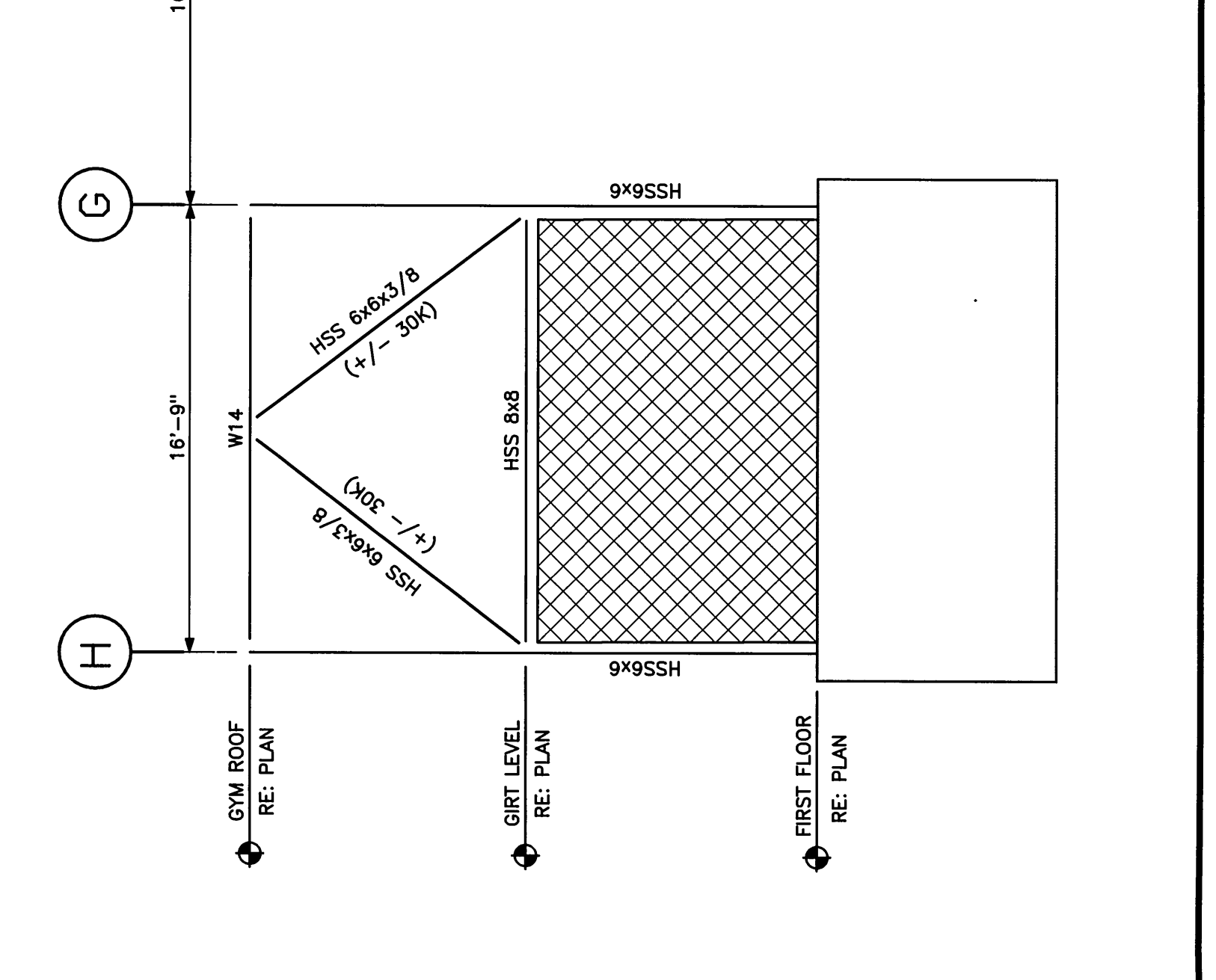
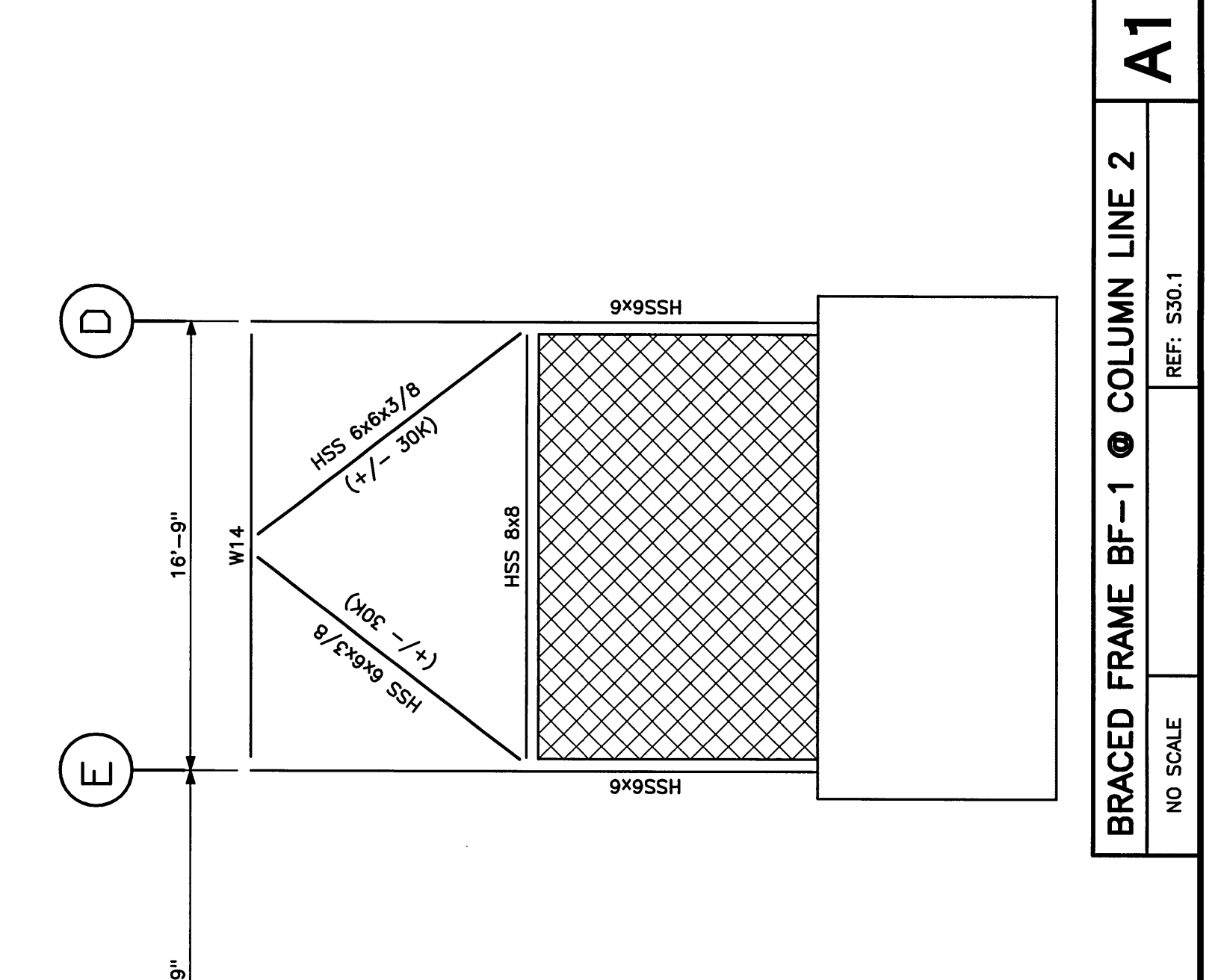


**B1**  
 BRACED FRAME BF-4 @ COLUMN LINE A  
 NO SCALE  
 REF. S30.1

**B2**  
 BRACED FRAME BF-2 @ COLUMN LINE 16  
 NO SCALE  
 REF. S30.1

**B3**  
 BRACED FRAME BF-5 @ COLUMN LINE H  
 NO SCALE  
 REF. S30.1

**B4**  
 BRACED FRAME/SHEAR WALL ELEVATION  
 NO SCALE  
 REF. S30.1



**A1**  
 BRACED FRAME BF-1 @ COLUMN LINE 2  
 NO SCALE  
 REF. S30.1

**A2**  
 BRACED FRAME BF-3 @ COLUMN LINE 17  
 NO SCALE  
 REF. S30.1

**A3**  
 BRACED FRAME BF-2 @ COLUMN LINE 16  
 NO SCALE  
 REF. S30.1

**A4**  
 BRACED FRAME/SHEAR WALL ELEVATION  
 NO SCALE  
 REF. S30.1

**A5**  
 BRACED FRAME/SHEAR WALL ELEVATION  
 NO SCALE  
 REF. S30.1