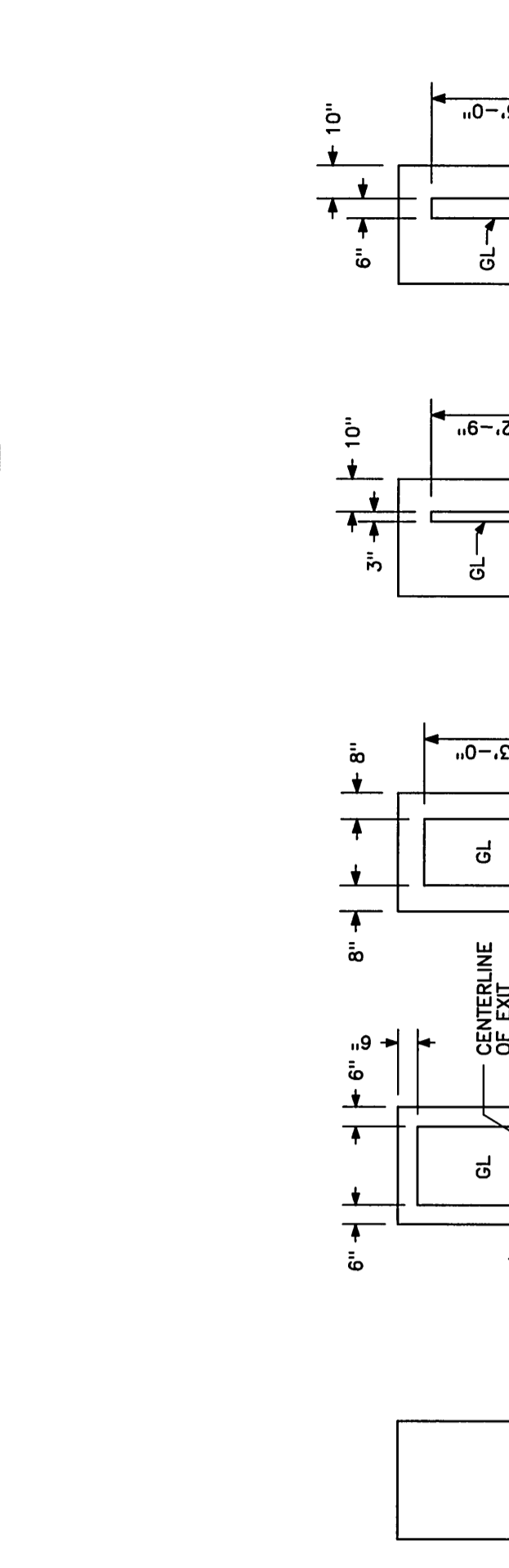


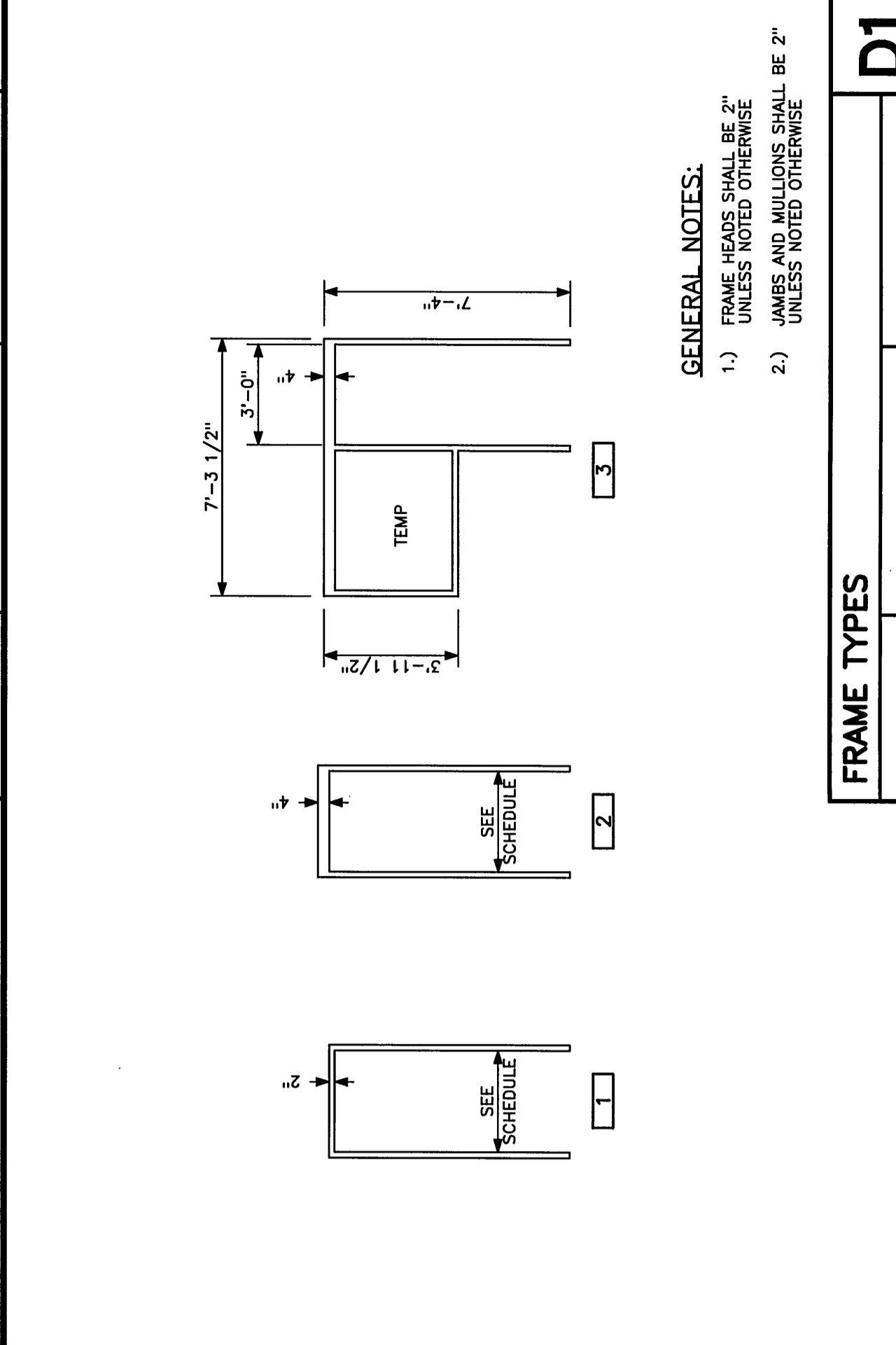
DOOR SCHEDULE NOTES

- ALL DOOR DETAILS SHOWN ON THIS SHEET UNLESS NOTED OTHERWISE.
- FRAMES COLOR PER SCHEDULE.
- ALL WOOD DOORS TO BE FACTORY FINISHED.
- WHERE FIRE RATED GLAZING IS NOTED, PROVIDE POLISHED WIRE GLASS.
- UNLESS NOTED OTHERWISE, UNLESS NOTED OTHERWISE.



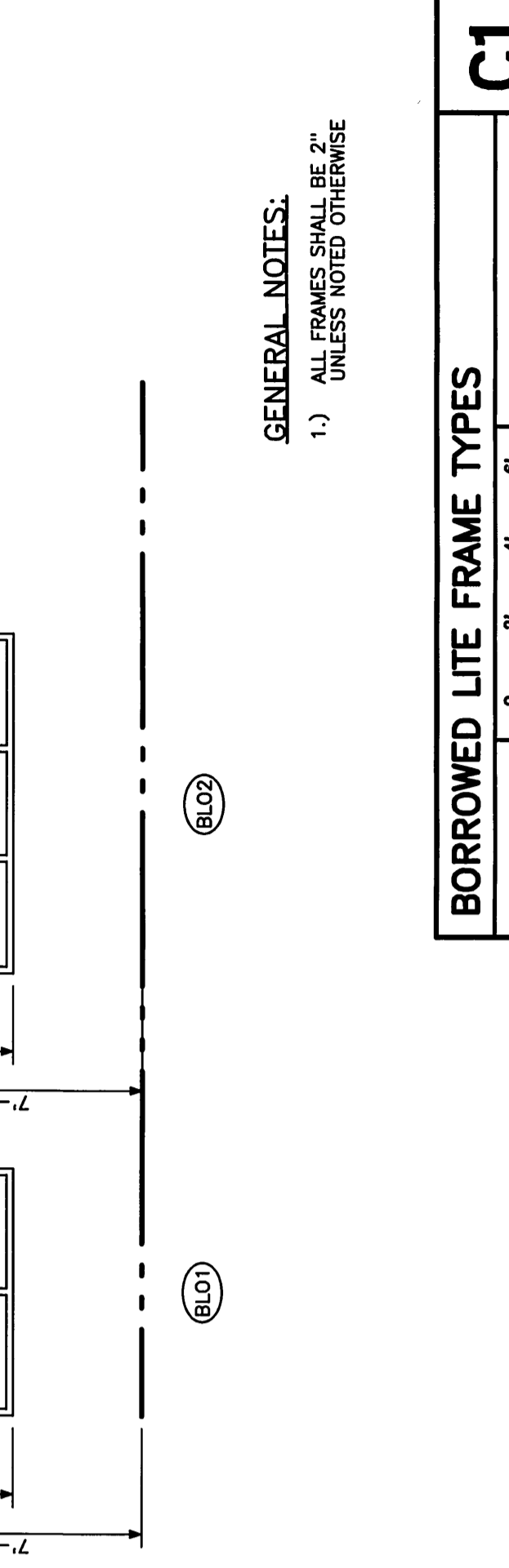
DOOR TYPES
1/2" = 1'-0"

E1
REF. A60.1



FRAME TYPES
1/2" = 1'-0"

D1
REF. A60.1



BORROWED LITE FRAME TYPES
1/2" = 1'-0"

C1
REF. A60.1

DOOR AND FRAME SCHEDULE

NO.	SIZE		DOOR		GLASS		LOUVER	MAT	FRAME DETAILS		FIRE RATING SET	REMARKS
	W	H	MAT	TYPE	GLASS	TYPE			HEAD	JAMB		
001	024'-0"	7'-0"	HM	F	—	—	—	—	B6	A6	—	SEE SPECS
001A	023'-0"	7'-0"	HM	F	—	—	—	—	HM 2	B4	A4	45 MIN SEE SPECS
002	3'-0"	7'-0"	HM	F	—	—	—	—	HM 2	B4	A4	45 MIN SEE SPECS
003	023'-0"	7'-0"	HM	F	—	—	—	—	HM 2	B4	A4	45 MIN SEE SPECS
003A	023'-0"	7'-0"	HM	F	—	—	—	—	HM 2	B4	A4	45 MIN SEE SPECS
004	3'-0"	7'-0"	HM	F	—	—	—	—	HM 2	B4	A4	45 MIN SEE SPECS
004A	3'-0"	7'-0"	HM	F	—	—	—	—	HM 2	B4	A4	45 MIN SEE SPECS
005	3'-0"	7'-0"	HM	F	—	—	—	—	HM 2	B4	A4	45 MIN SEE SPECS
006	3'-0"	7'-0"	HM	F	—	—	—	—	HM 2	B4	A4	45 MIN SEE SPECS
007	3'-0"	7'-0"	HM	F	—	—	—	—	HM 2	B4	A4	45 MIN SEE SPECS
008	3'-0"	7'-0"	HM	F	—	—	—	—	HM 2	B4	A4	45 MIN SEE SPECS
009	3'-0"	7'-0"	HM	F	—	—	—	—	HM 2	B4	A4	45 MIN SEE SPECS
010	3'-0"	7'-0"	HM	F	—	—	—	—	HM 2	B4	A4	45 MIN SEE SPECS
011	023'-0"	7'-0"	HM	F	—	—	—	—	HM 2	B4	A4	45 MIN SEE SPECS
011A	023'-0"	7'-0"	HM	F	—	—	—	—	HM 2	B4	A4	45 MIN SEE SPECS
012	3'-0"	7'-0"	HM	F	—	—	—	—	HM 2	B4	A4	45 MIN SEE SPECS
013	3'-0"	7'-0"	HM	F	—	—	—	—	HM 2	B4	A4	45 MIN SEE SPECS
014	3'-0"	7'-0"	HM	F	—	—	—	—	HM 2	B4	A4	45 MIN SEE SPECS
014A	3'-0"	7'-0"	HM	F	—	—	—	—	HM 2	B4	A4	45 MIN SEE SPECS
017	3'-0"	7'-0"	HM	F	—	—	—	—	HM 2	B4	A4	45 MIN SEE SPECS
018	3'-0"	7'-0"	HM	F	—	—	—	—	HM 2	B4	A4	45 MIN SEE SPECS
019	3'-0"	7'-0"	HM	F	—	—	—	—	HM 2	B4	A4	45 MIN SEE SPECS
019A	3'-0"	7'-0"	HM	F	—	—	—	—	HM 2	B4	A4	45 MIN SEE SPECS
022	3'-0"	7'-0"	HM	F	—	—	—	—	HM 2	B4	A4	45 MIN SEE SPECS
023	3'-0"	7'-0"	HM	F	—	—	—	—	HM 2	B4	A4	45 MIN SEE SPECS
024	3'-0"	7'-0"	HM	F	—	—	—	—	HM 2	B4	A4	45 MIN SEE SPECS
101	023'-0"	7'-0"	HM	F	—	—	—	—	HM 2	B4	A4	45 MIN SEE SPECS
101A	023'-0"	7'-0"	HM	F	—	—	—	—	HM 2	B4	A4	45 MIN SEE SPECS
102	023'-0"	7'-0"	HM	F	—	—	—	—	HM 2	B4	A4	45 MIN SEE SPECS
102A	023'-0"	7'-0"	HM	F	—	—	—	—	HM 2	B4	A4	45 MIN SEE SPECS
102B	023'-0"	7'-0"	HM	F	—	—	—	—	HM 2	B4	A4	45 MIN SEE SPECS
103	3'-0"	7'-0"	HM	F	—	—	—	—	HM 2	B4	A4	45 MIN SEE SPECS
103A	3'-0"	7'-0"	HM	F	—	—	—	—	HM 2	B4	A4	45 MIN SEE SPECS
104	023'-0"	7'-0"	HM	F	—	—	—	—	HM 2	B4	A4	45 MIN SEE SPECS
107	023'-0"	7'-0"	HM	F	—	—	—	—	HM 2	B4	A4	45 MIN SEE SPECS
107A	023'-0"	7'-0"	HM	F	—	—	—	—	HM 2	B4	A4	45 MIN SEE SPECS
107B	023'-0"	7'-0"	HM	F	—	—	—	—	HM 2	B4	A4	45 MIN SEE SPECS
107C	023'-0"	7'-0"	HM	F	—	—	—	—	HM 2	B4	A4	45 MIN SEE SPECS
107D	023'-0"	7'-0"	HM	F	—	—	—	—	HM 2	B4	A4	45 MIN SEE SPECS
107E	023'-0"	7'-0"	HM	F	—	—	—	—	HM 2	B4	A4	45 MIN SEE SPECS
107F	023'-0"	7'-0"	HM	F	—	—	—	—	HM 2	B4	A4	45 MIN SEE SPECS
108	023'-0"	7'-0"	HM	F	—	—	—	—	HM 2	B4	A4	45 MIN SEE SPECS
109	3'-0"	7'-0"	HM	F	—	—	—	—	HM 2	B4	A4	45 MIN SEE SPECS
110	3'-0"	7'-0"	HM	F	—	—	—	—	HM 2	B4	A4	45 MIN SEE SPECS
111	023'-0"	7'-0"	HM	F	—	—	—	—	HM 2	B4	A4	45 MIN SEE SPECS
112	3'-0"	7'-0"	HM	F	—	—	—	—	HM 2	B4	A4	45 MIN SEE SPECS
112A	3'-0"	7'-0"	HM	F	—	—	—	—	HM 2	B4	A4	45 MIN SEE SPECS
113	3'-0"	7'-0"	HM	F	—	—	—	—	HM 2	B4	A4	45 MIN SEE SPECS
E133	3'-0"	7'-0"	HM	F	—	—	—	—	HM 2	B4	A4	45 MIN SEE SPECS
E138	3'-0"	7'-0"	HM	F	—	—	—	—	HM 2	B4	A4	45 MIN SEE SPECS
E153	3'-0"	7'-0"	HM	F	—	—	—	—	HM 2	B4	A4	45 MIN SEE SPECS
E154	3'-0"	7'-0"	HM	F	—	—	—	—	HM 2	B4	A4	45 MIN SEE SPECS
E155	3'-0"	7'-0"	HM	F	—	—	—	—	HM 2	B4	A4	45 MIN SEE SPECS

