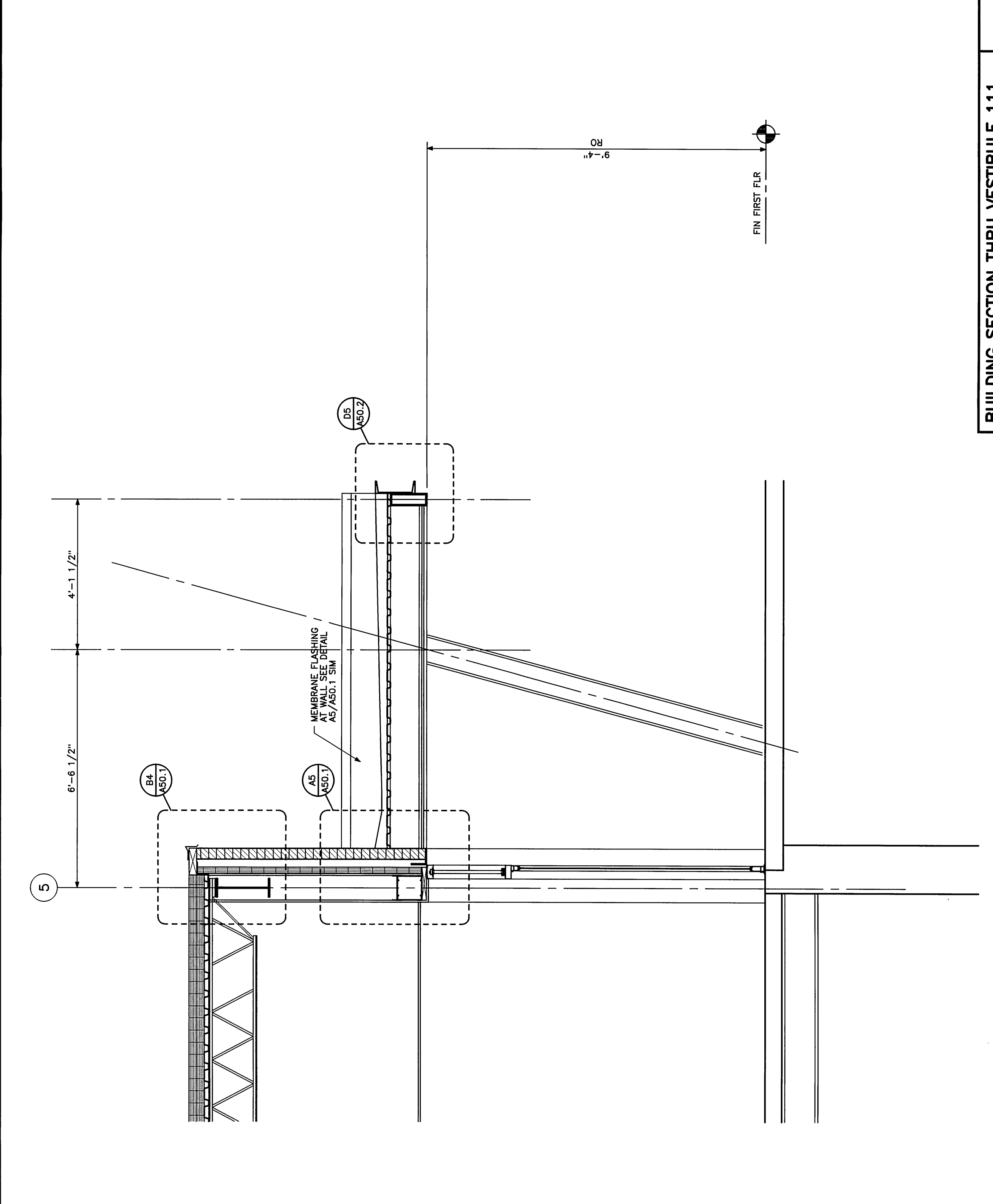
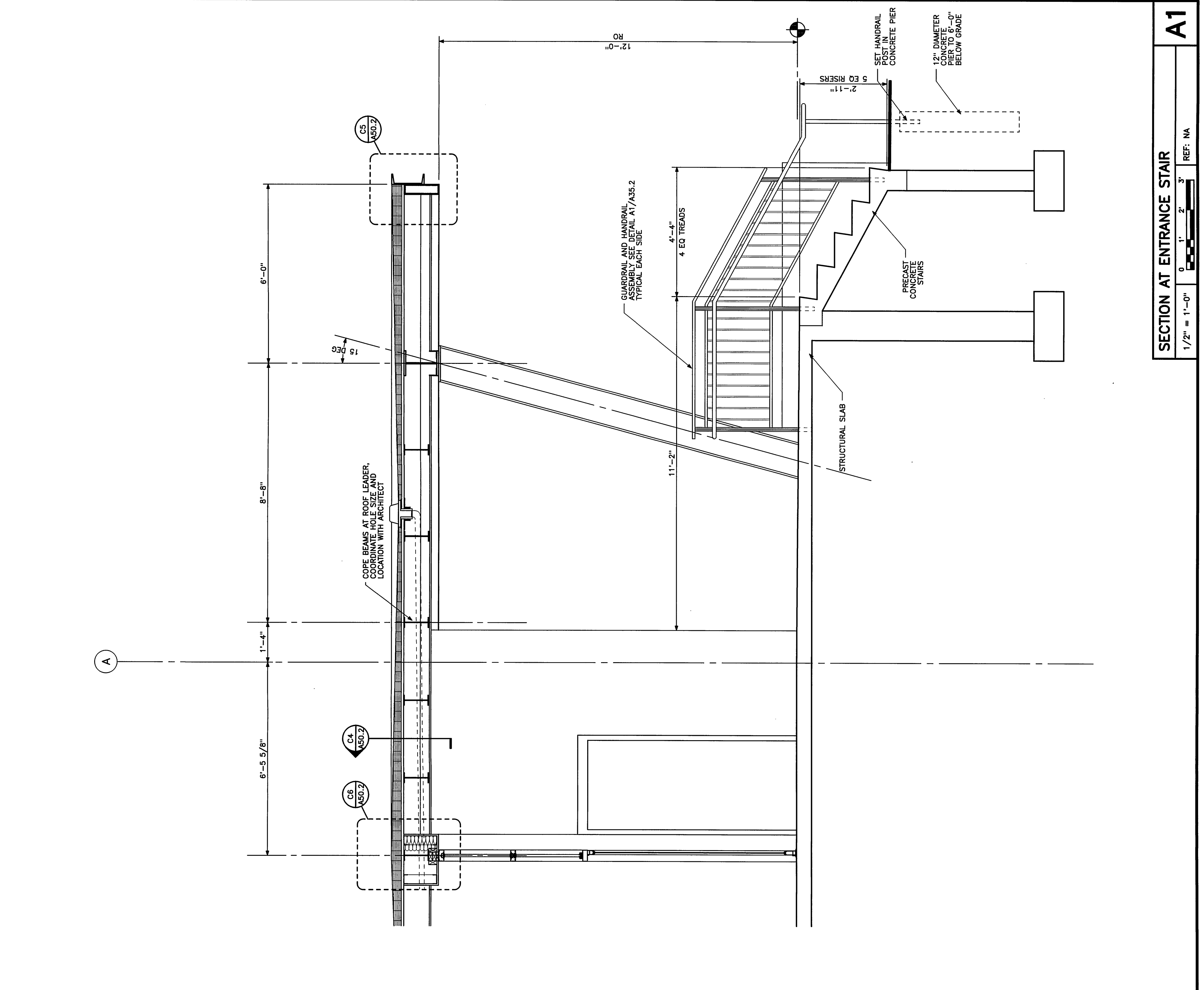


NO.	DATE	DESCRIPTION
01-28-04	ISSUED FOR BID	
02-17-04	OWNER REVIEW	

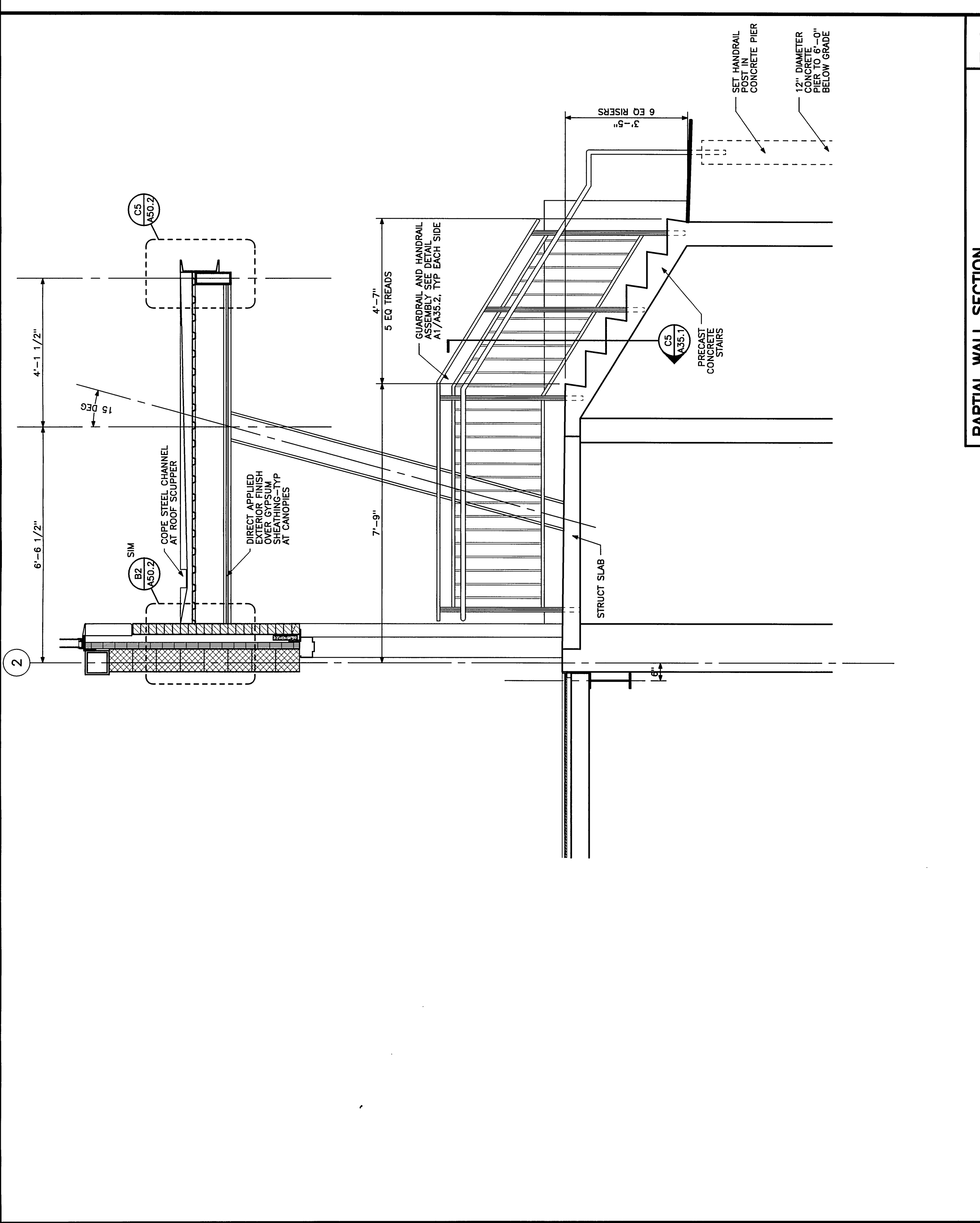
Drawing Status	
----------------	--



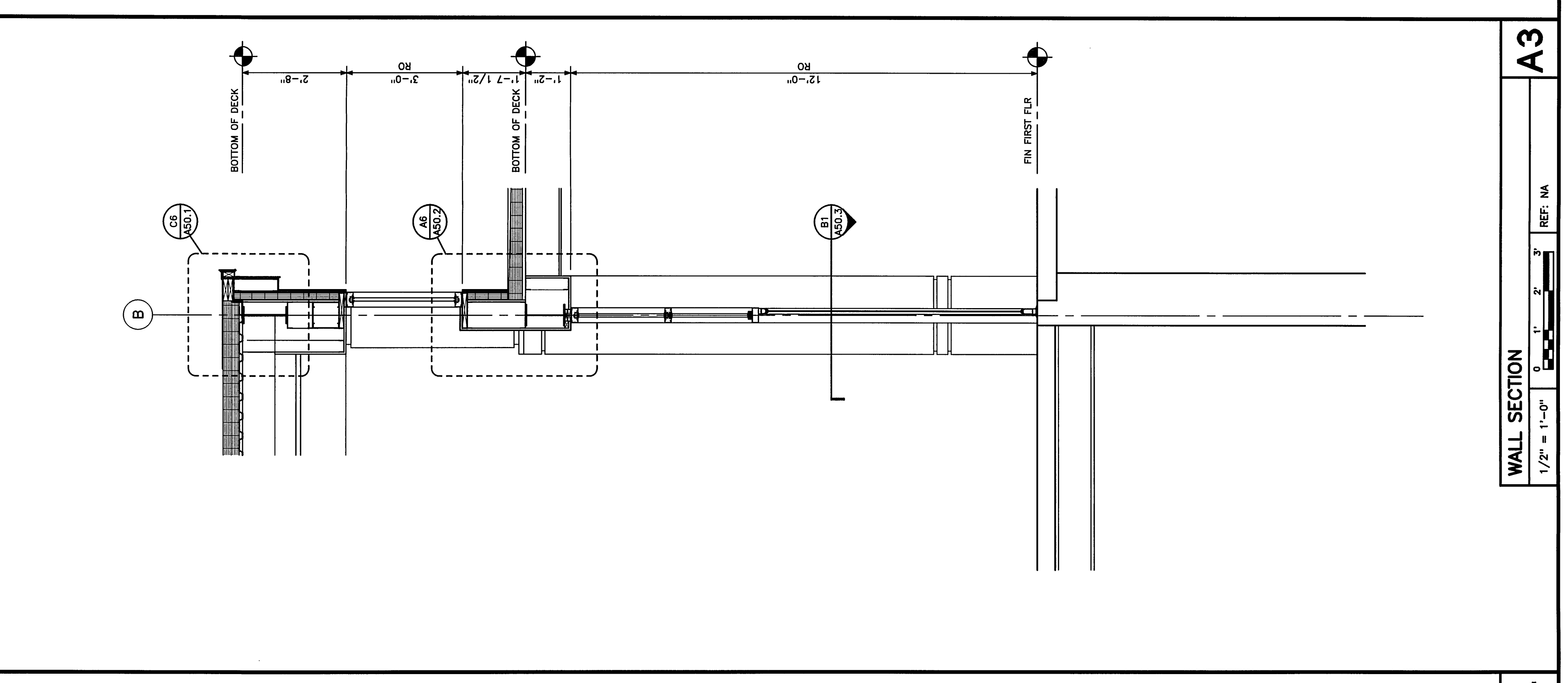
B1
 BUILDING SECTION THRU VESTIBULE 111
 1/2" = 1'-0" REF: 1A



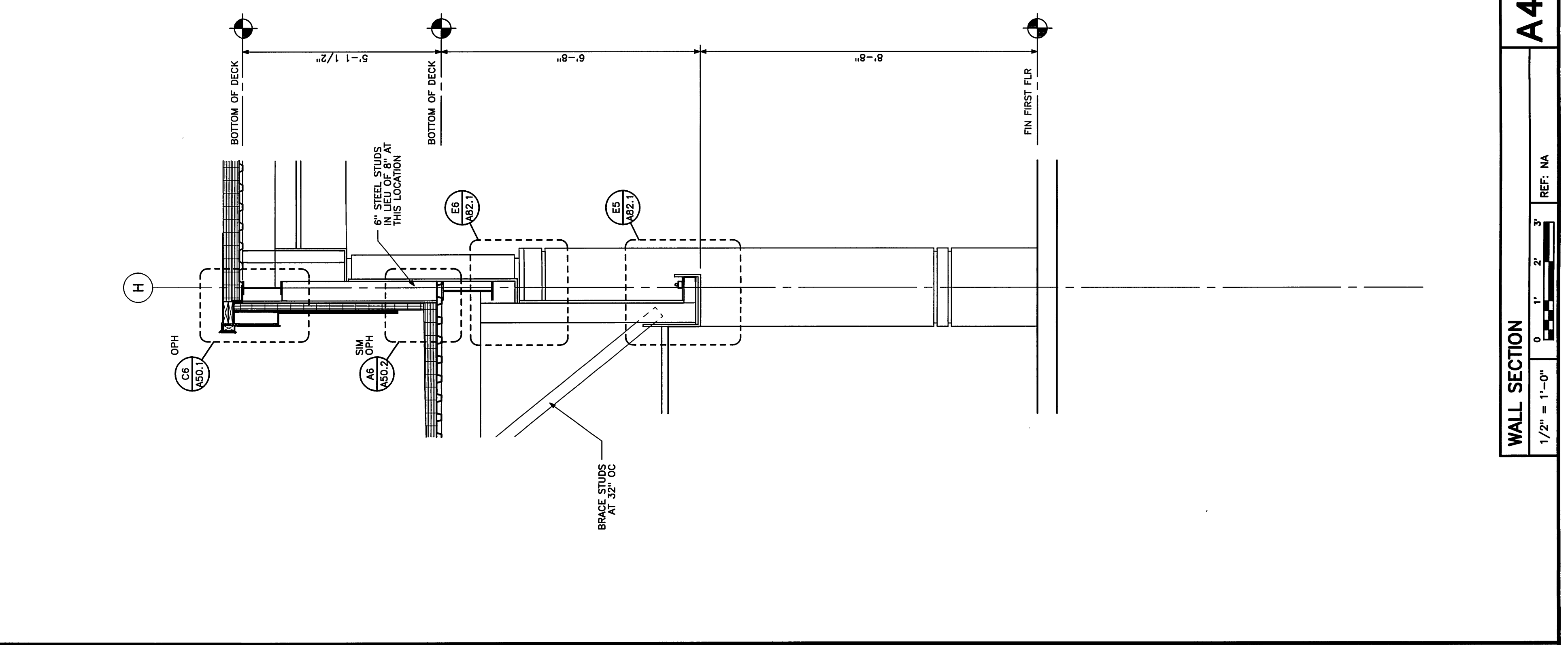
A1
 SECTION AT ENTRANCE STAIR
 1/2" = 1'-0" REF: 1A



B3
 PARTIAL WALL SECTION
 1/2" = 1'-0" REF: 1A



A3
 WALL SECTION
 1/2" = 1'-0" REF: 1A



A4
 WALL SECTION
 1/2" = 1'-0" REF: 1A