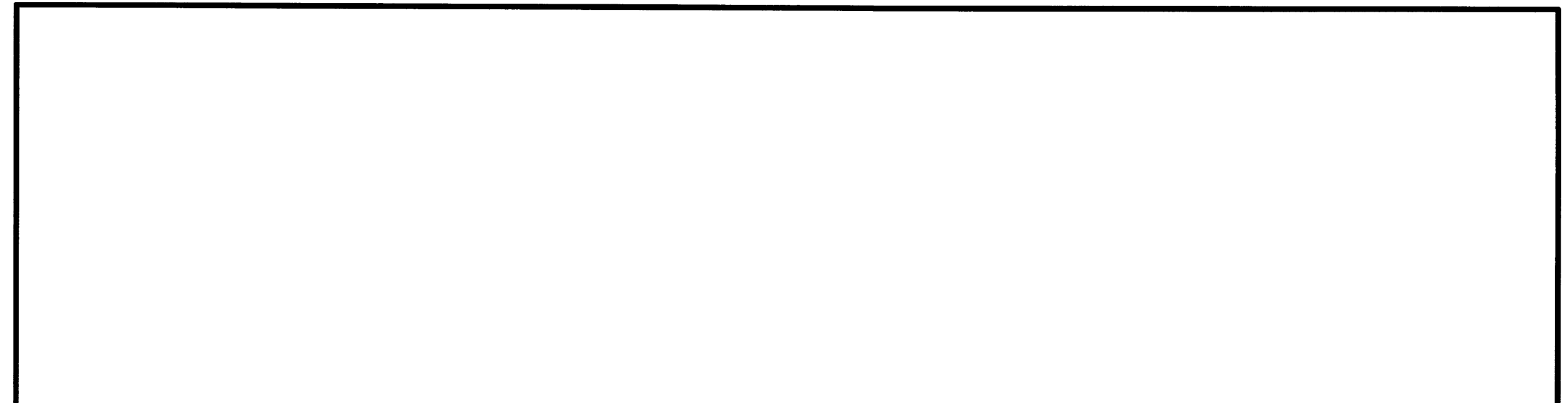
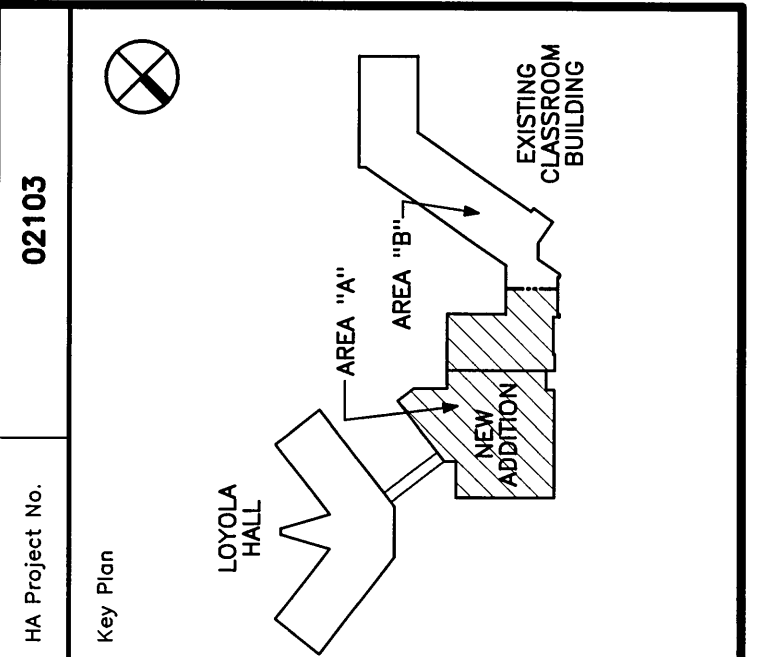


Architects • Engineers
HARRIMAN ASSOCIATES
 100 South Main Street, 2nd Floor
 Portland, Maine 04101
 Telephone: 603.761.1100
 Fax: 603.761.1101
 www.harriman-associates.com
 © 2004

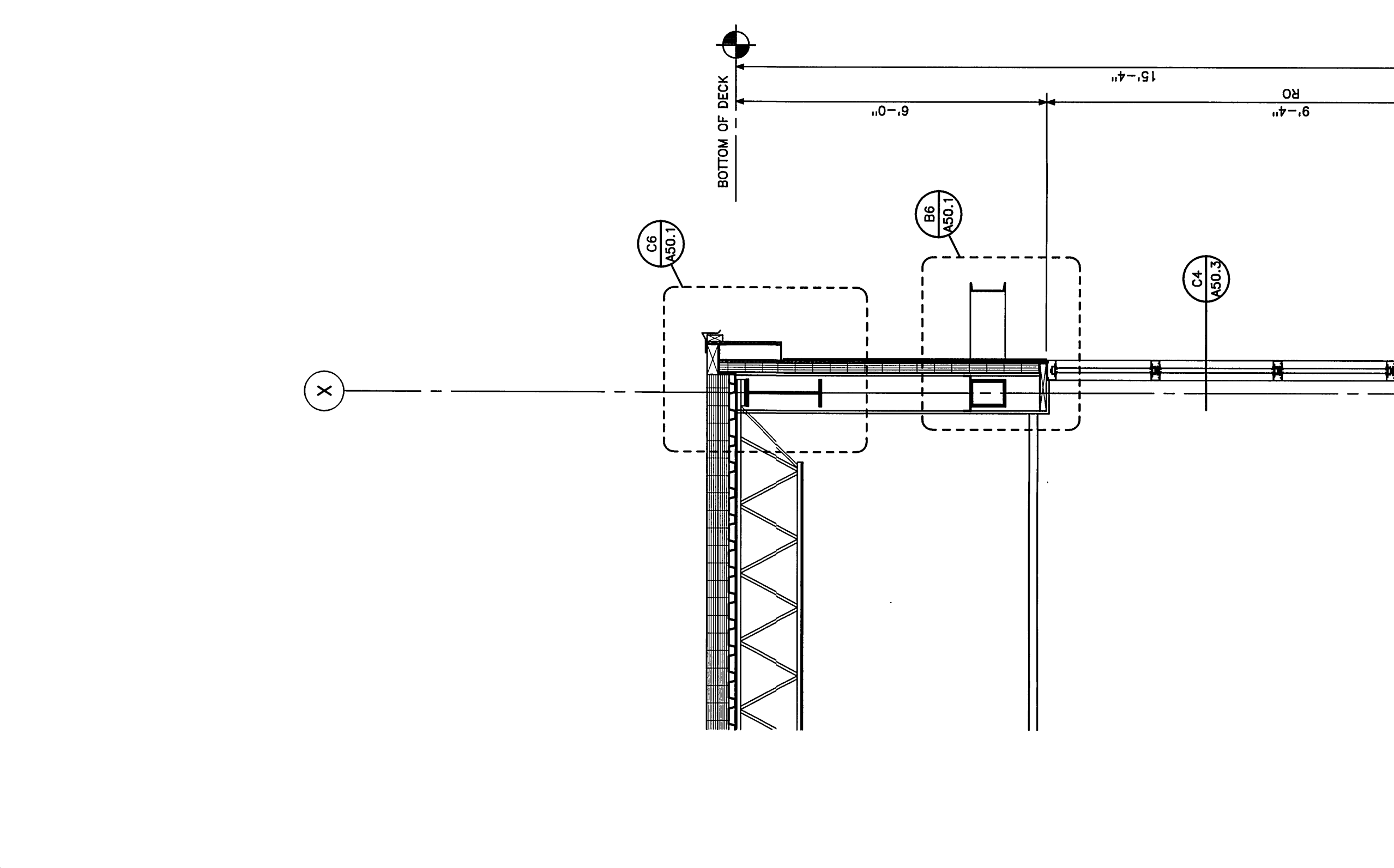
Project Title
**CHEVERUS HIGH SCHOOL
 PHASE 3-ADDITIONS
 & RENOVATIONS**
 PORTLAND, MAINE



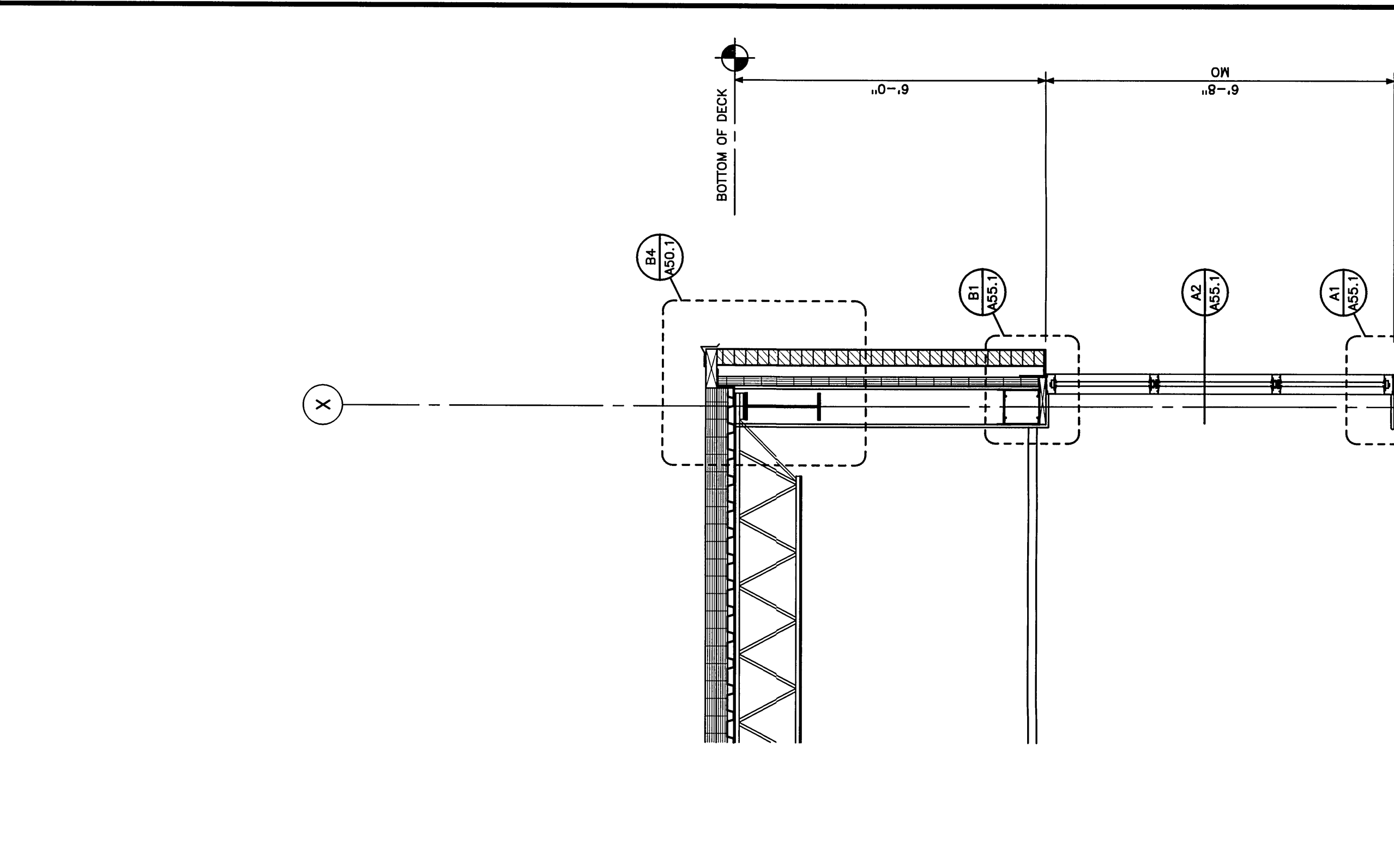
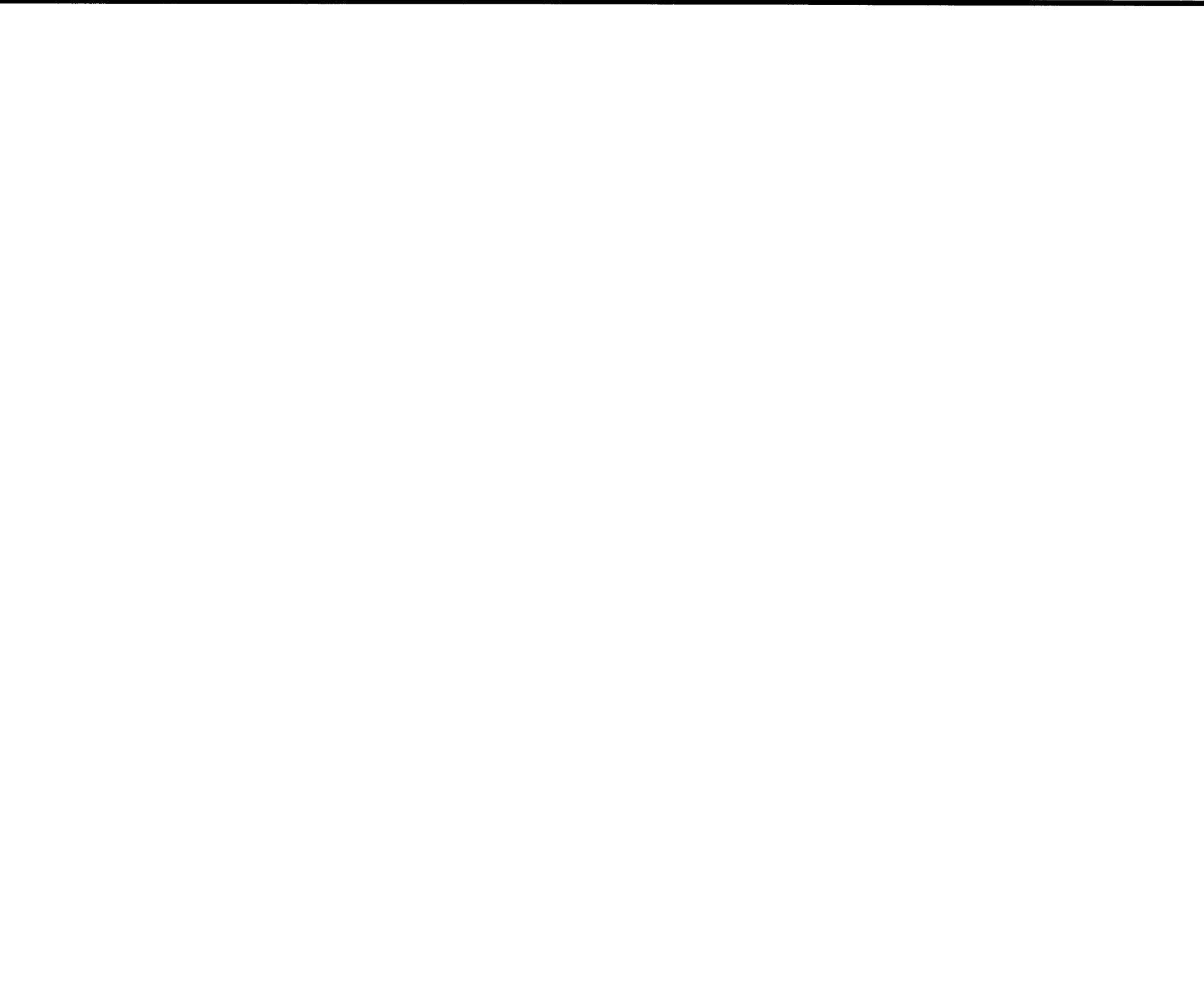
NO.	DATE	DESCRIPTION
00-20-04		ISSUED FOR BID
00-17-04		OWNER REVIEW

Drawing Status

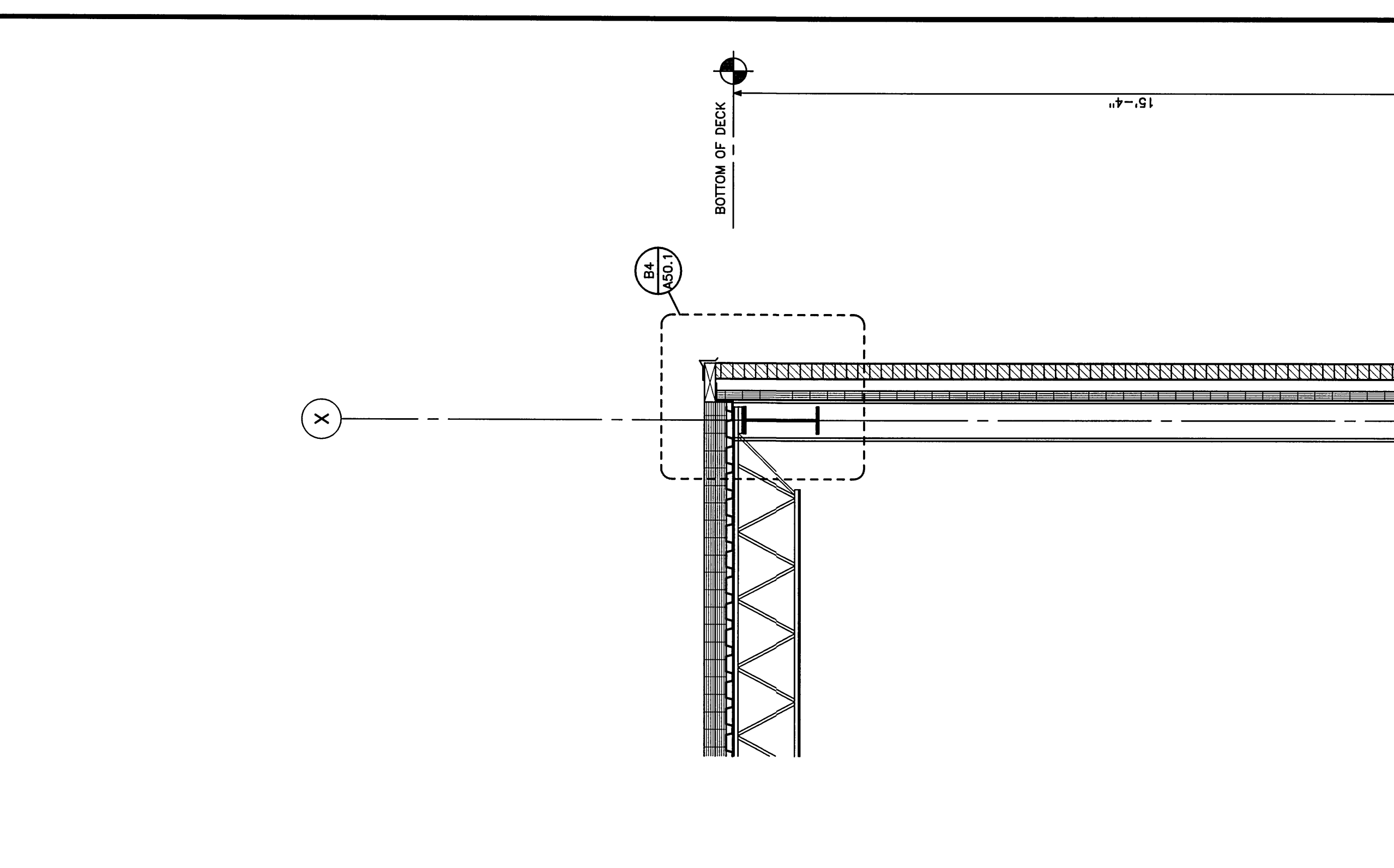
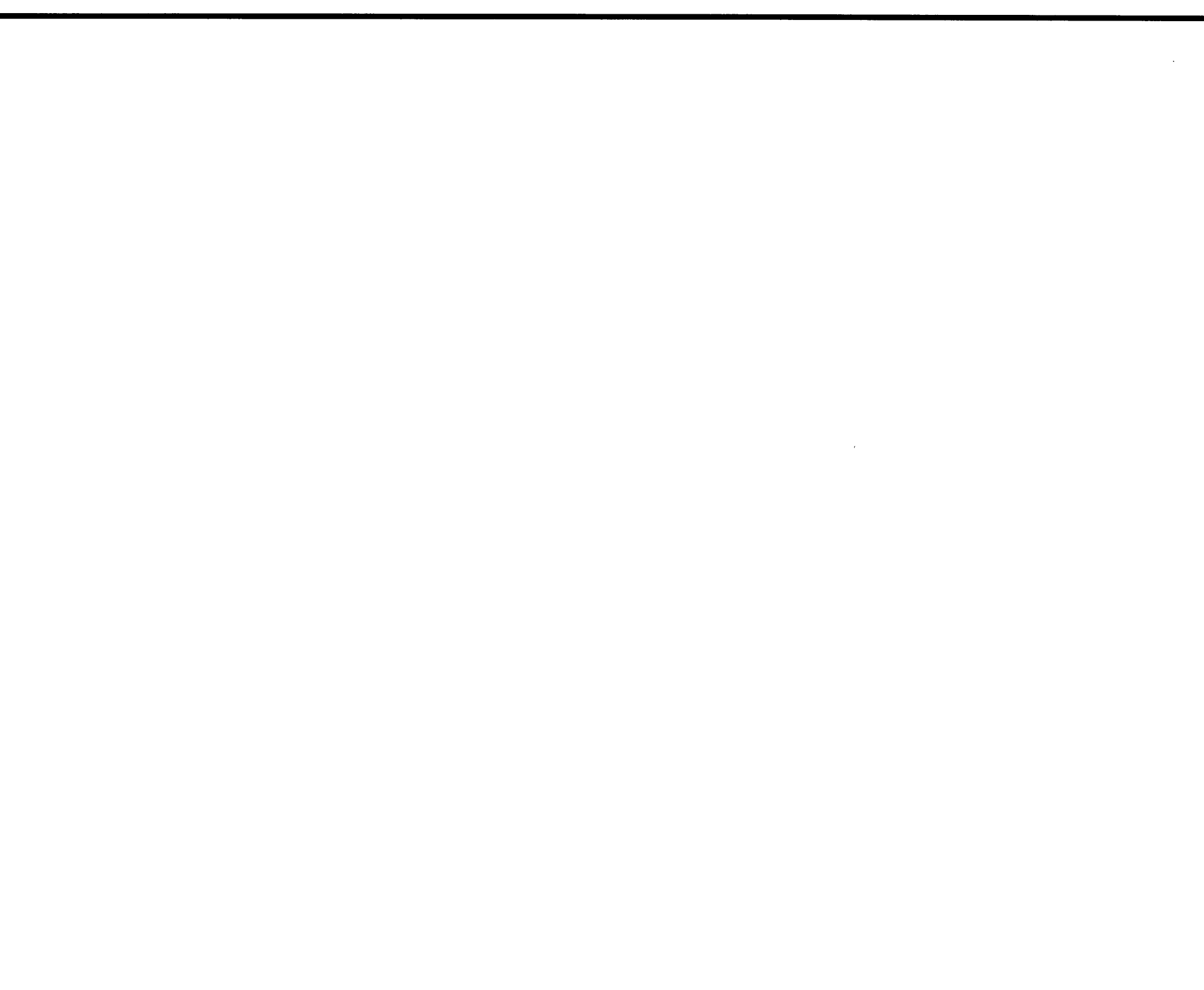
Drawing Title
WALL SECTIONS
 PA / RE: JPL
 Drawn By: MDL
 Drawing Number
A30.2



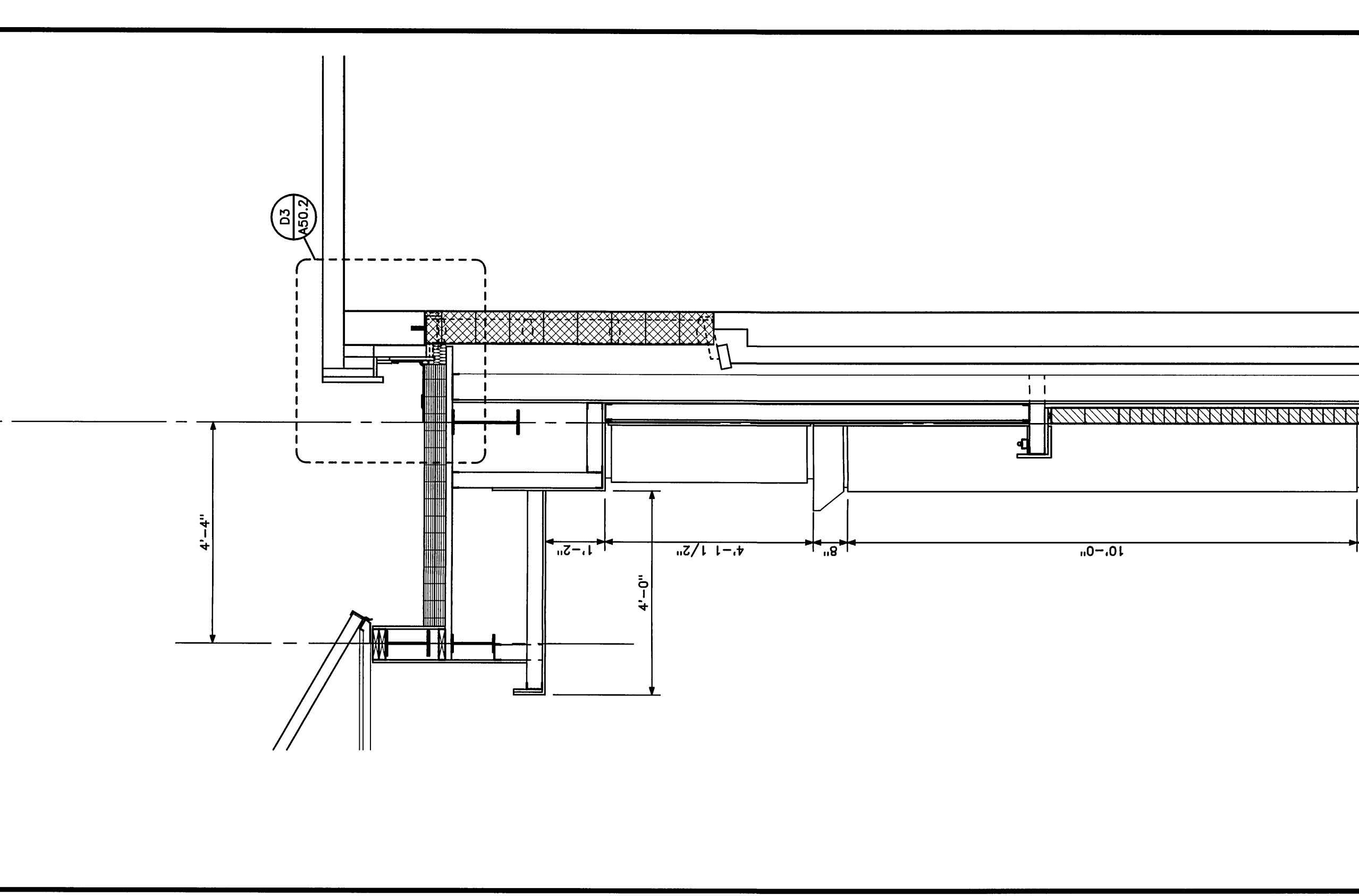
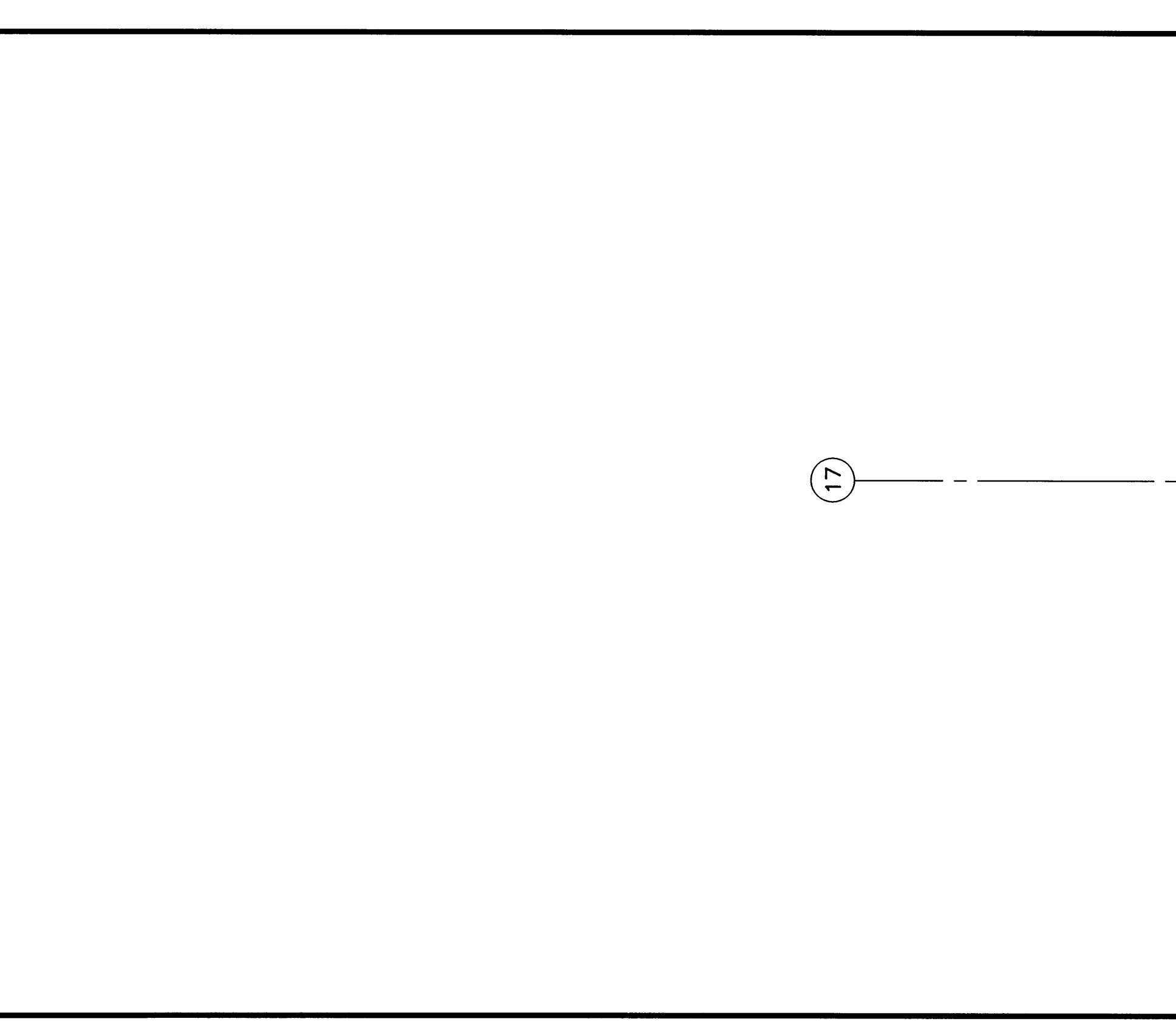
A1
 WALL SECTION
 1/2" = 1'-0"
 REF: MA



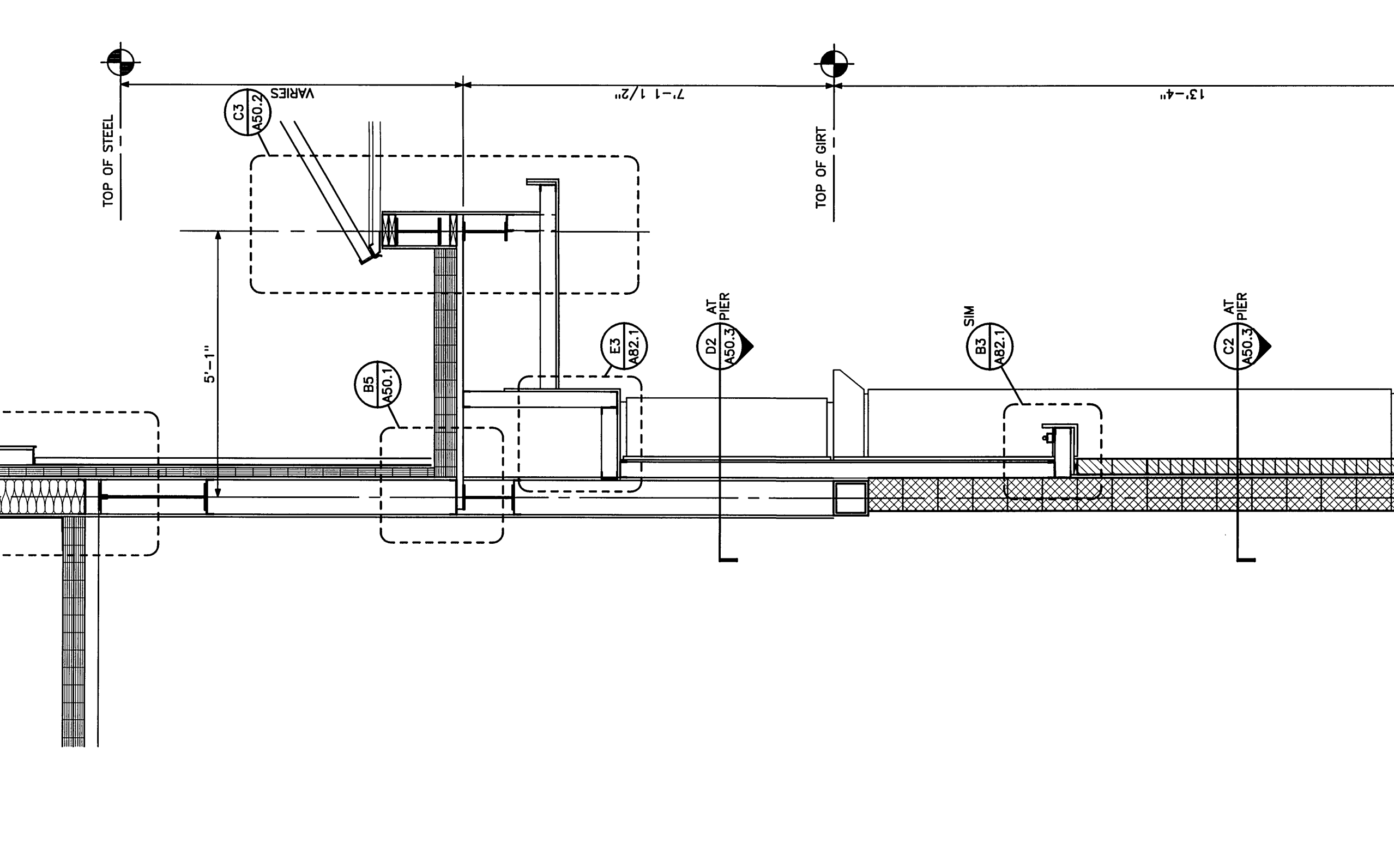
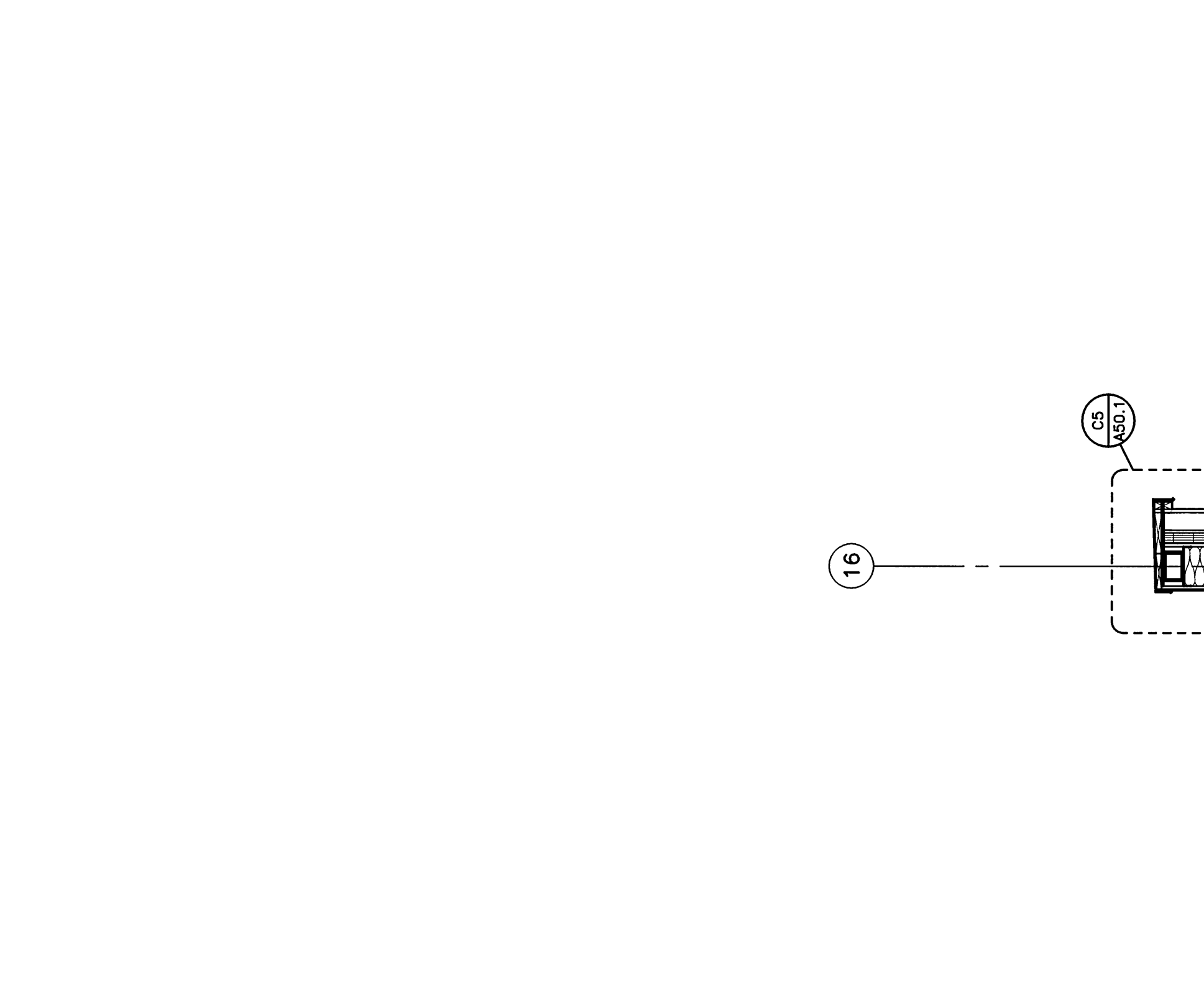
A2
 WALL SECTION
 1/2" = 1'-0"
 REF: MA



A3
 WALL SECTION
 1/2" = 1'-0"
 REF: MA



A4
 WALL SECTION
 1/2" = 1'-0"
 REF: MA



A5
 WALL SECTION
 1/2" = 1'-0"
 REF: MA