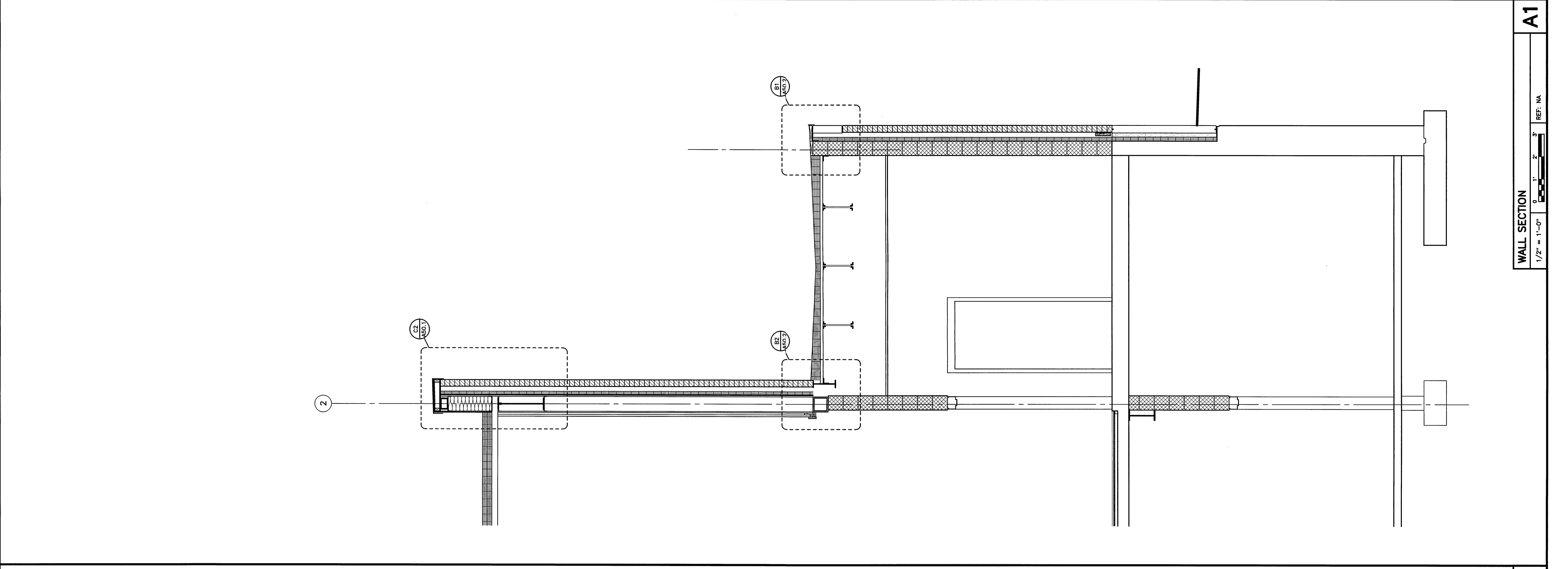
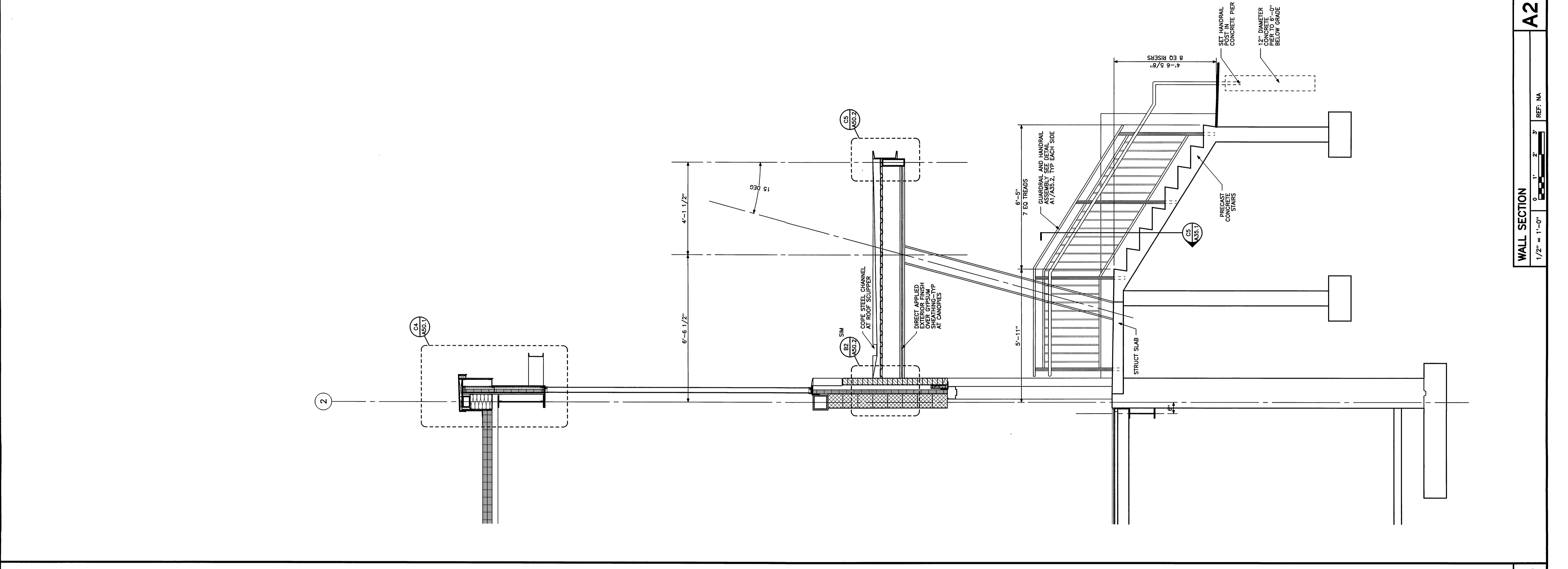


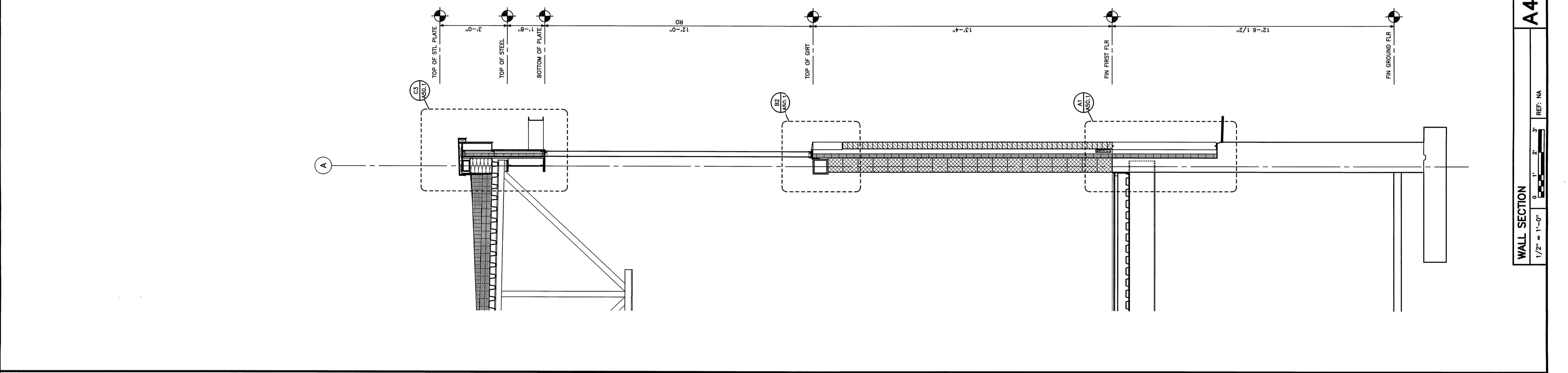
NO.	DATE	DESCRIPTION
01	08-28-04	ISSUED FOR BID
02	09-17-04	OWNER REVIEW
03	09-23-04	DD REVIEW
04	10-09-04	PROGRESS REVIEW
05	09-01-05	SCHEMATIC REVIEW



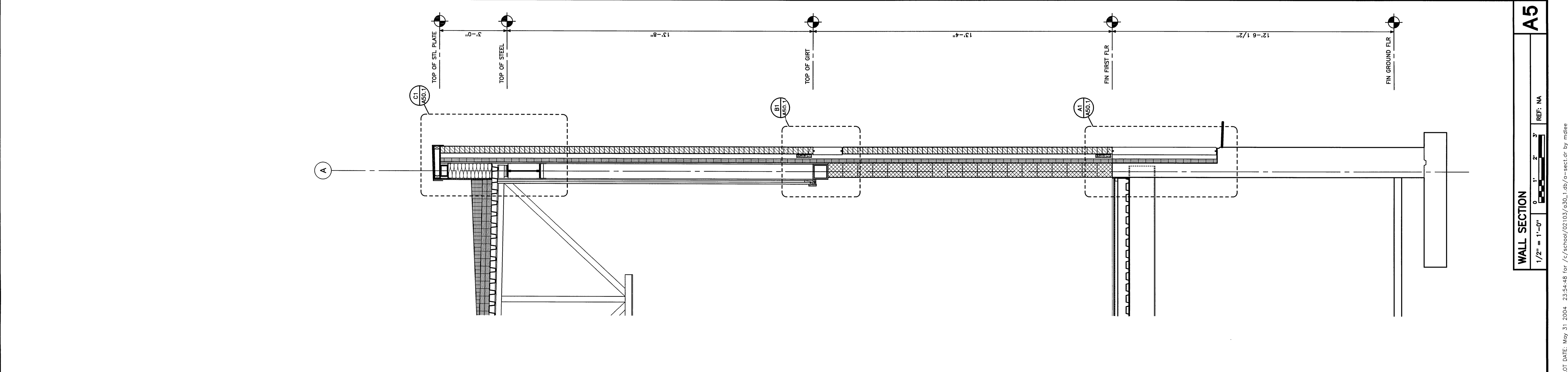
WALL SECTION
 1/2" = 1'-0"
 REF: NA



WALL SECTION
 1/2" = 1'-0"
 REF: NA



WALL SECTION
 1/2" = 1'-0"
 REF: NA



WALL SECTION
 1/2" = 1'-0"
 REF: NA