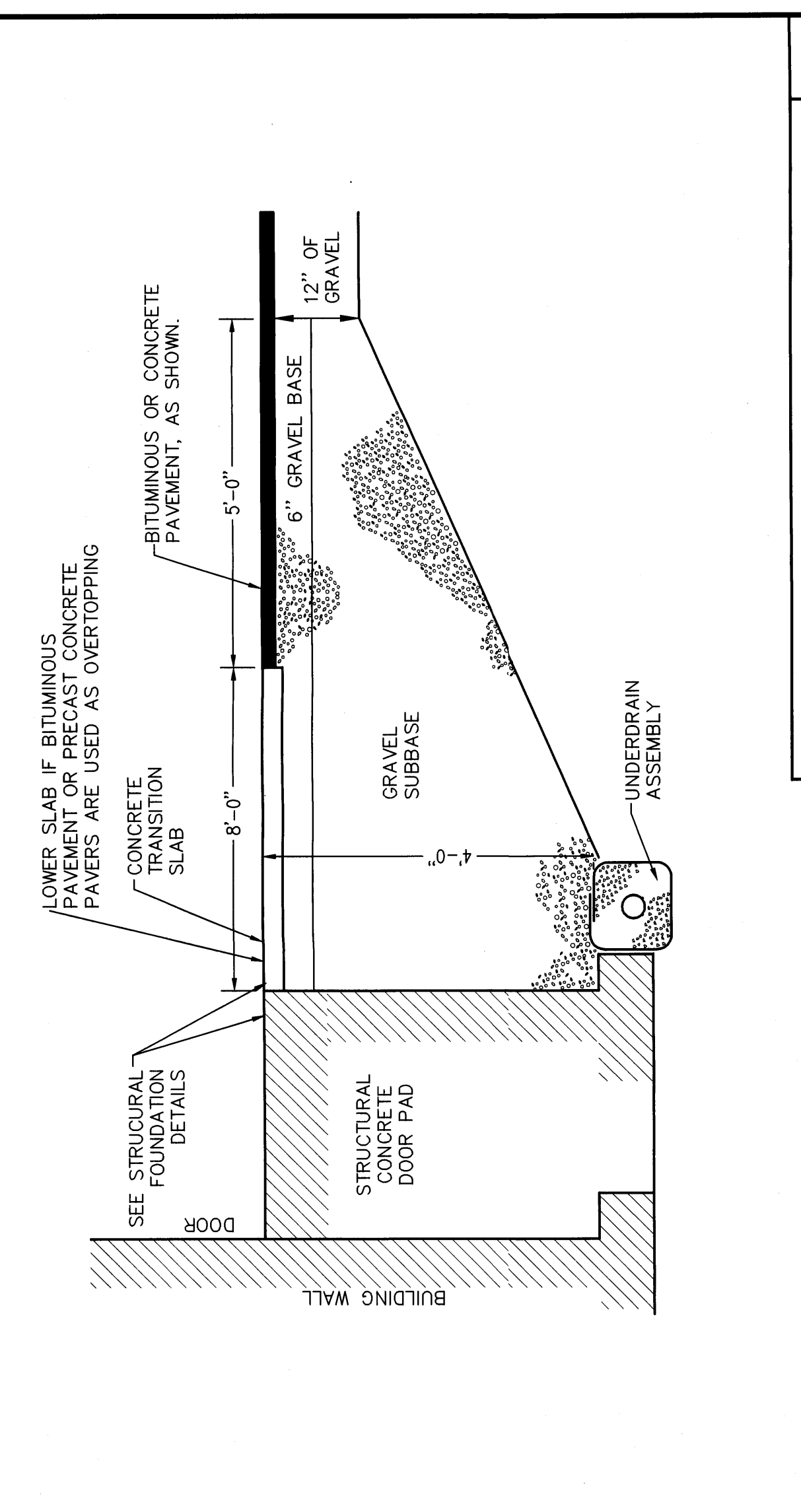
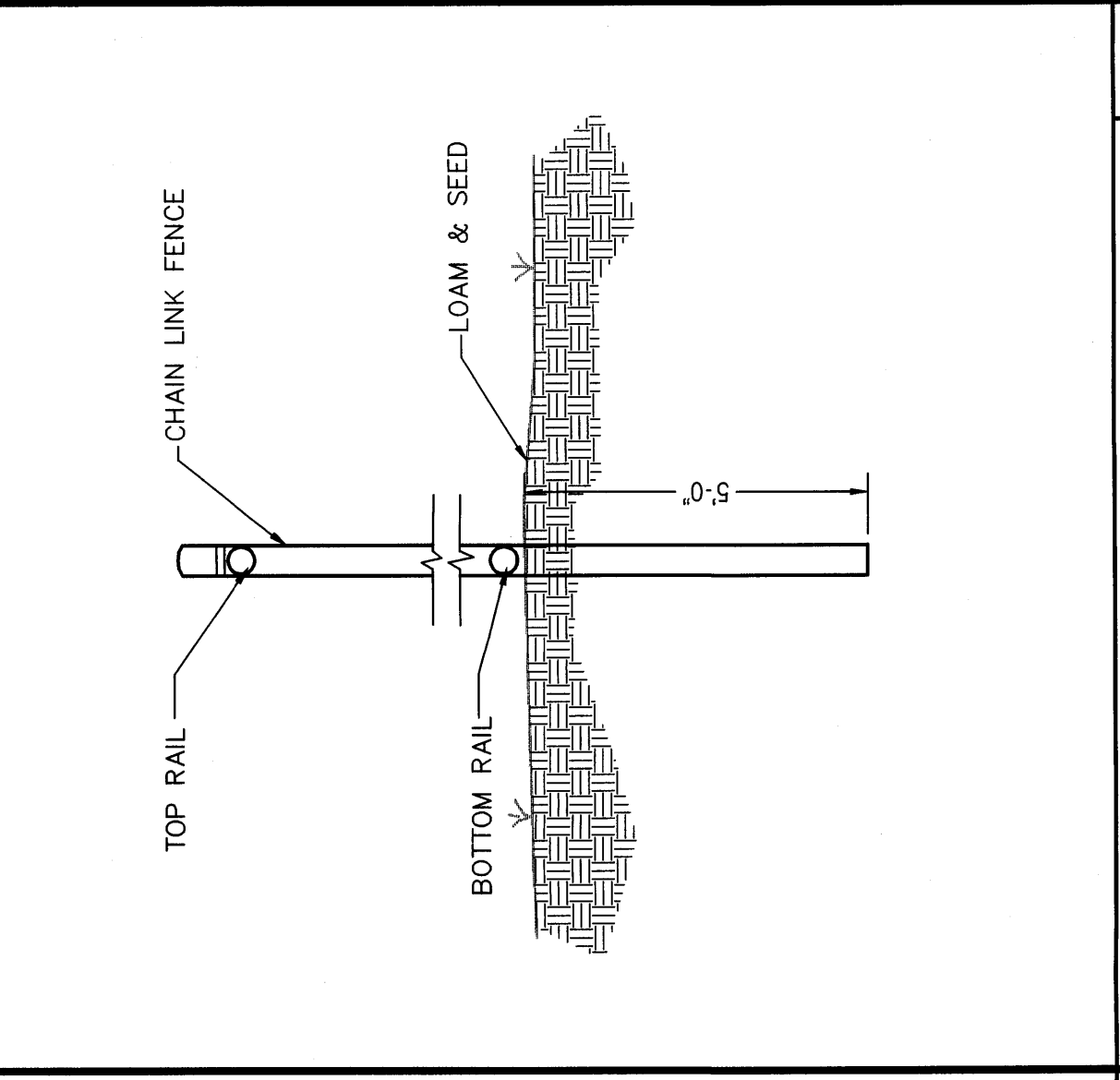


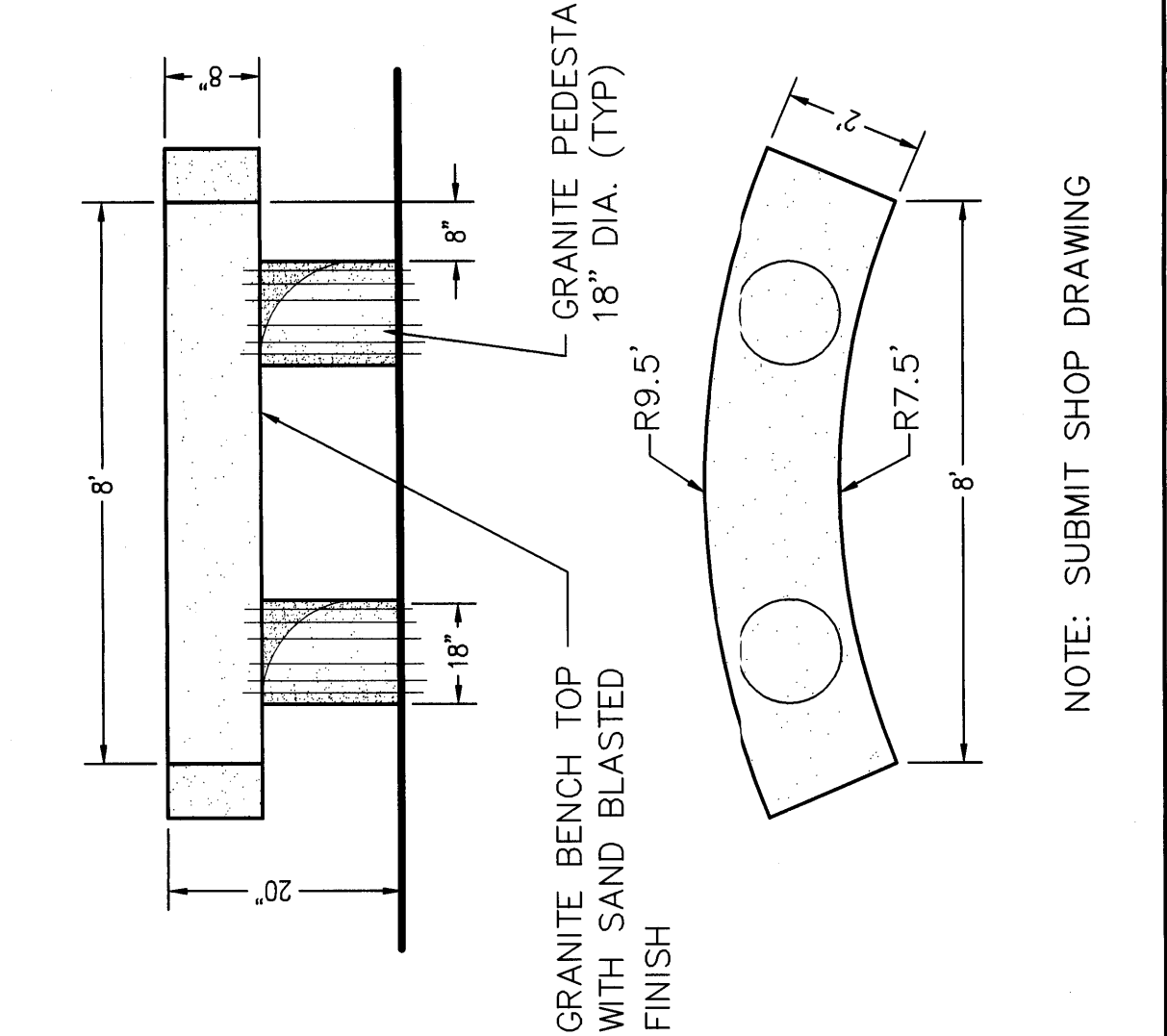
DUMPSTER PLAN
NOT TO SCALE



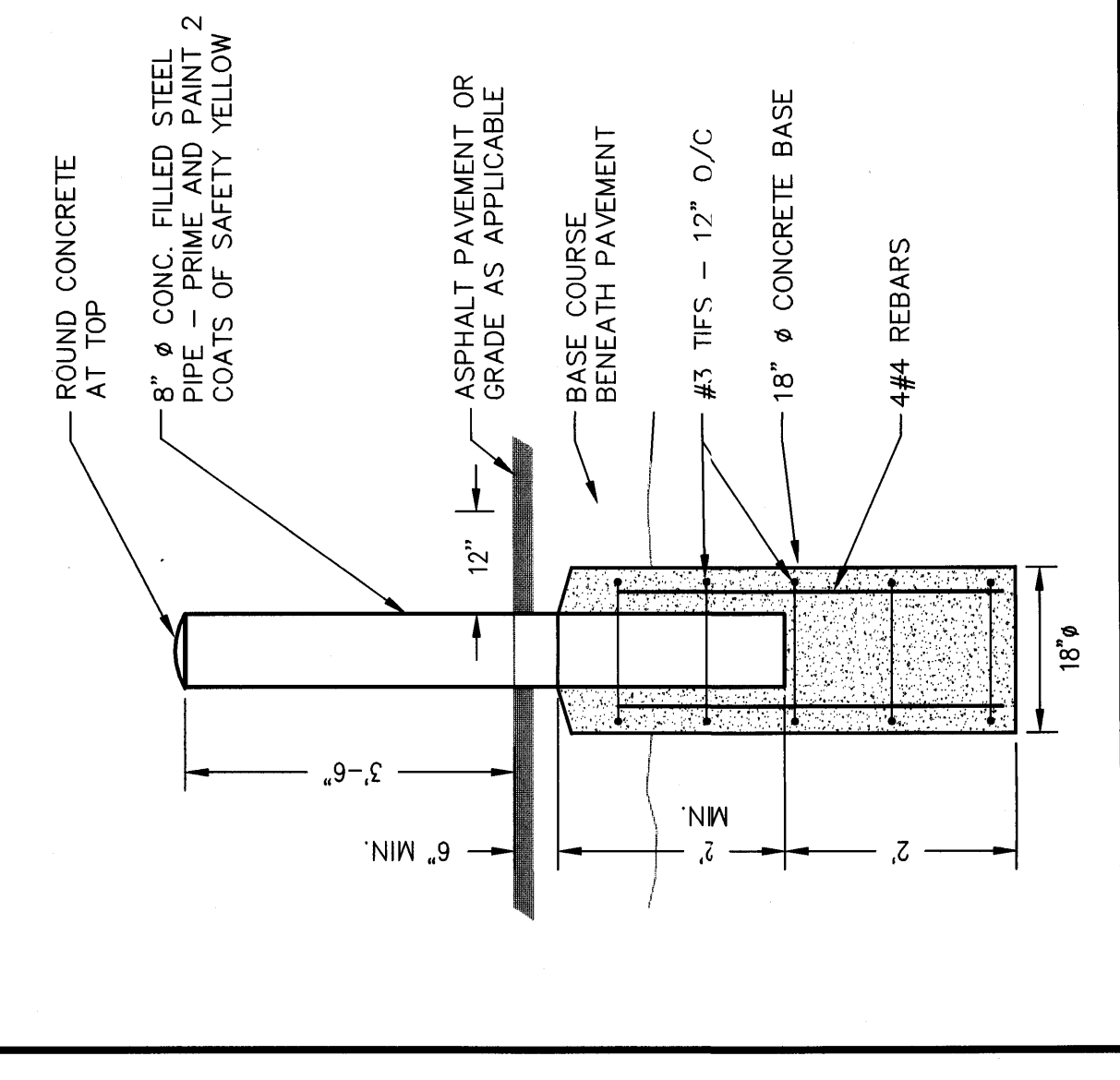
DUMPSTER ENCLOSURE
NOT TO SCALE



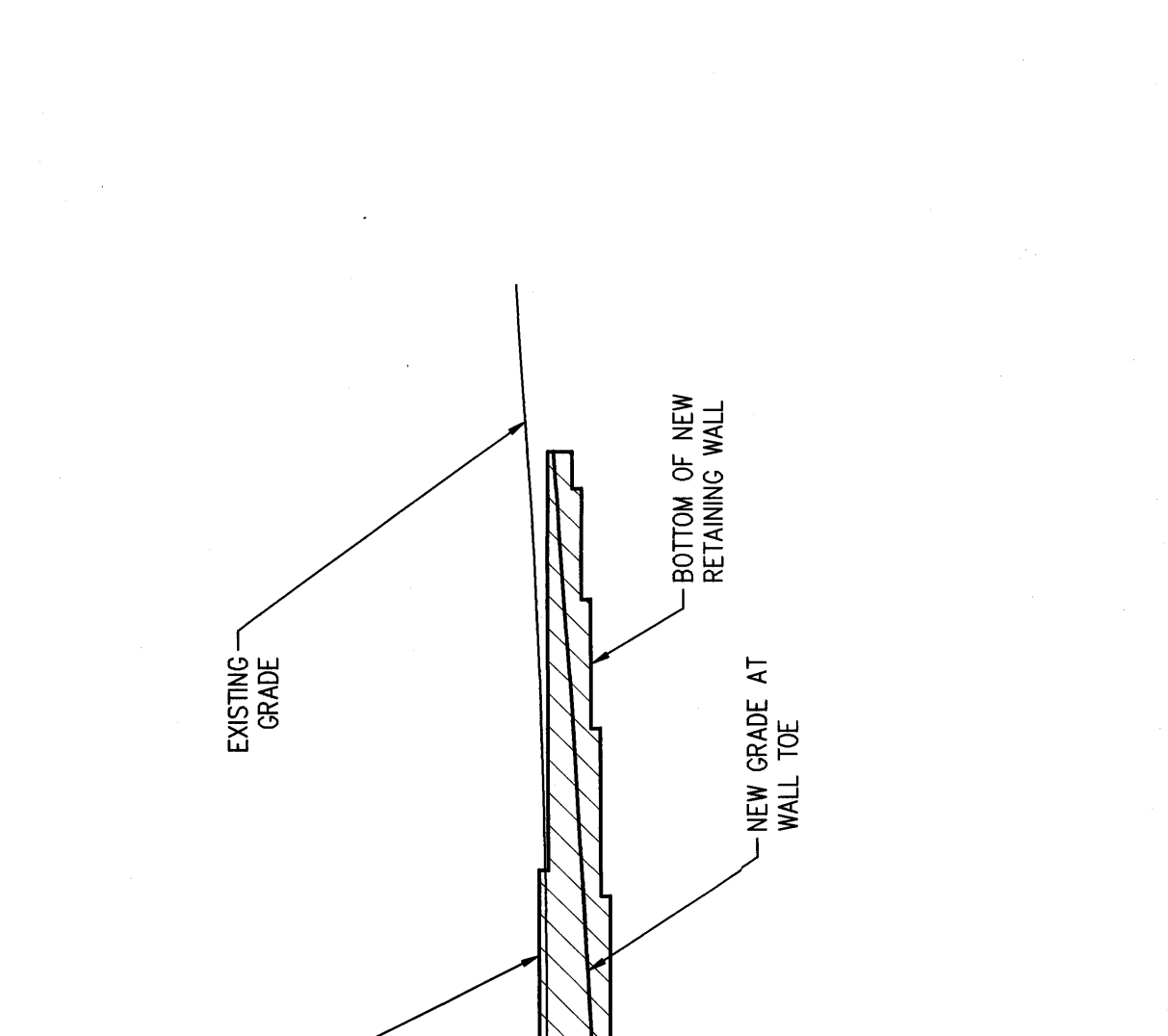
DUMPSTER GATE DETAIL
NOT TO SCALE



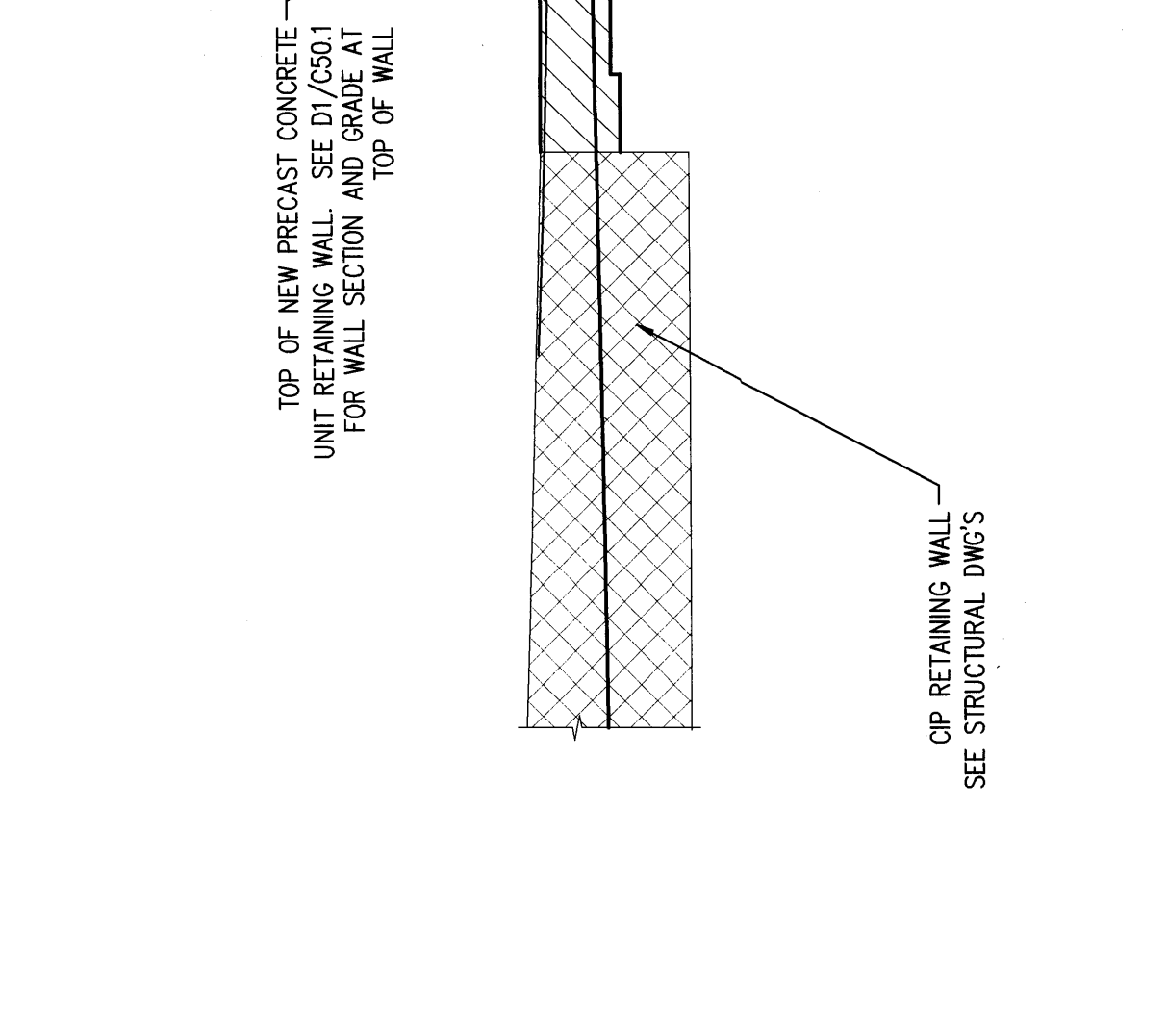
CURVED GRANITE BENCH DETAIL
NOT TO SCALE



PIPE BOLLARD DETAIL
NOT TO SCALE



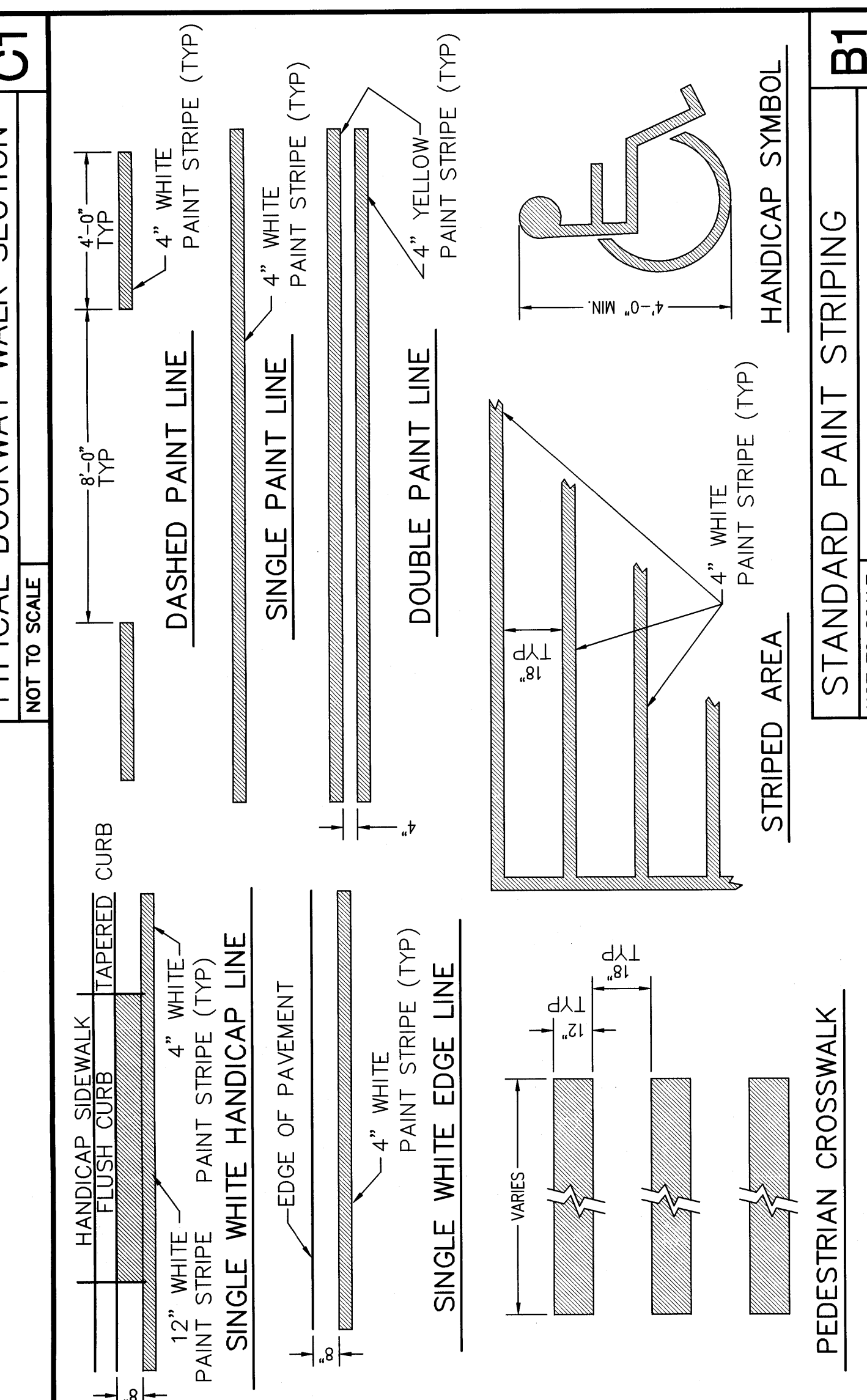
RETAINING WALL PROFILE
NOT TO SCALE



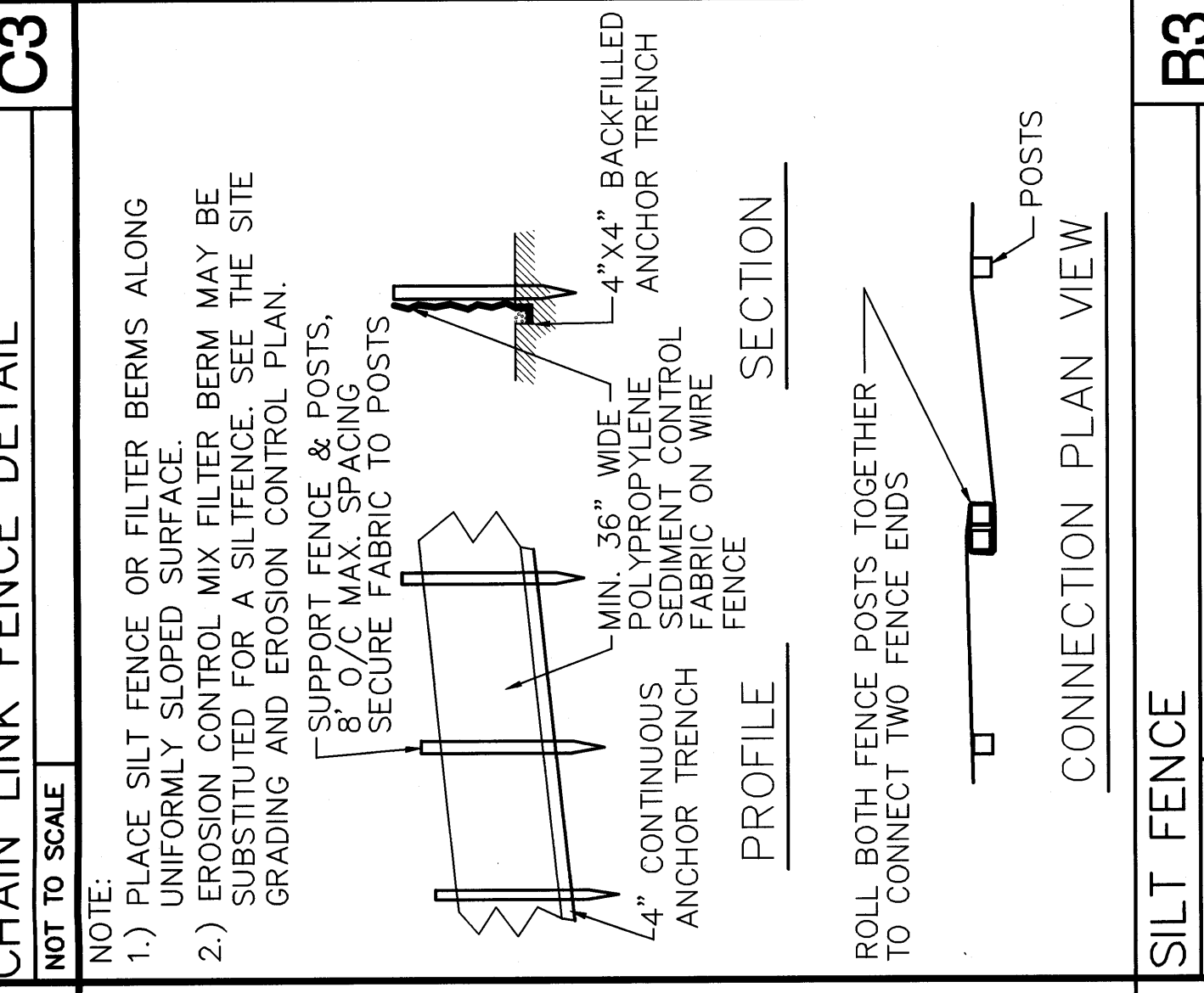
BITUMINOUS CONCRETE BERM CURB
NOT TO SCALE



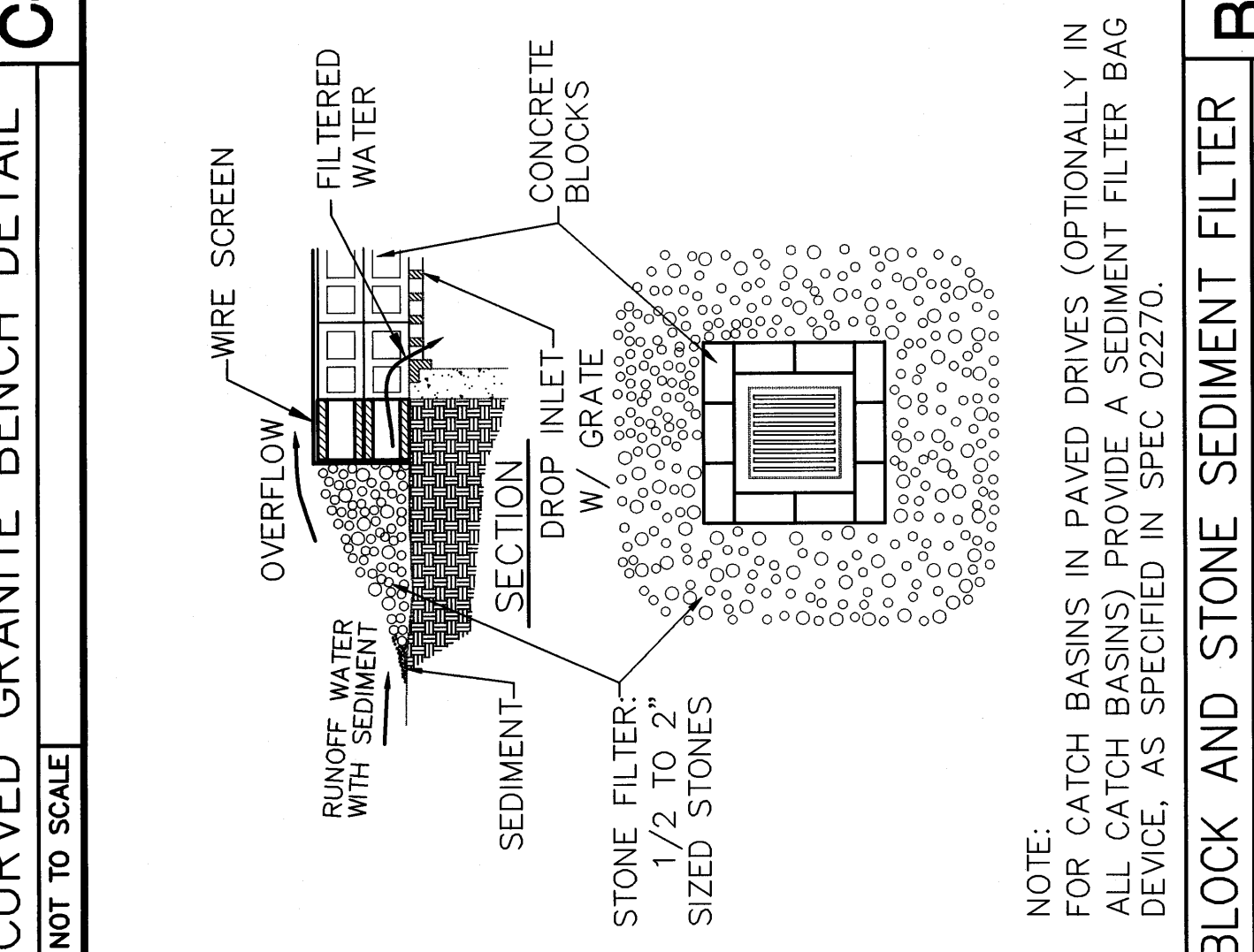
BALLFIELD NET POLE DETAIL
NOT TO SCALE



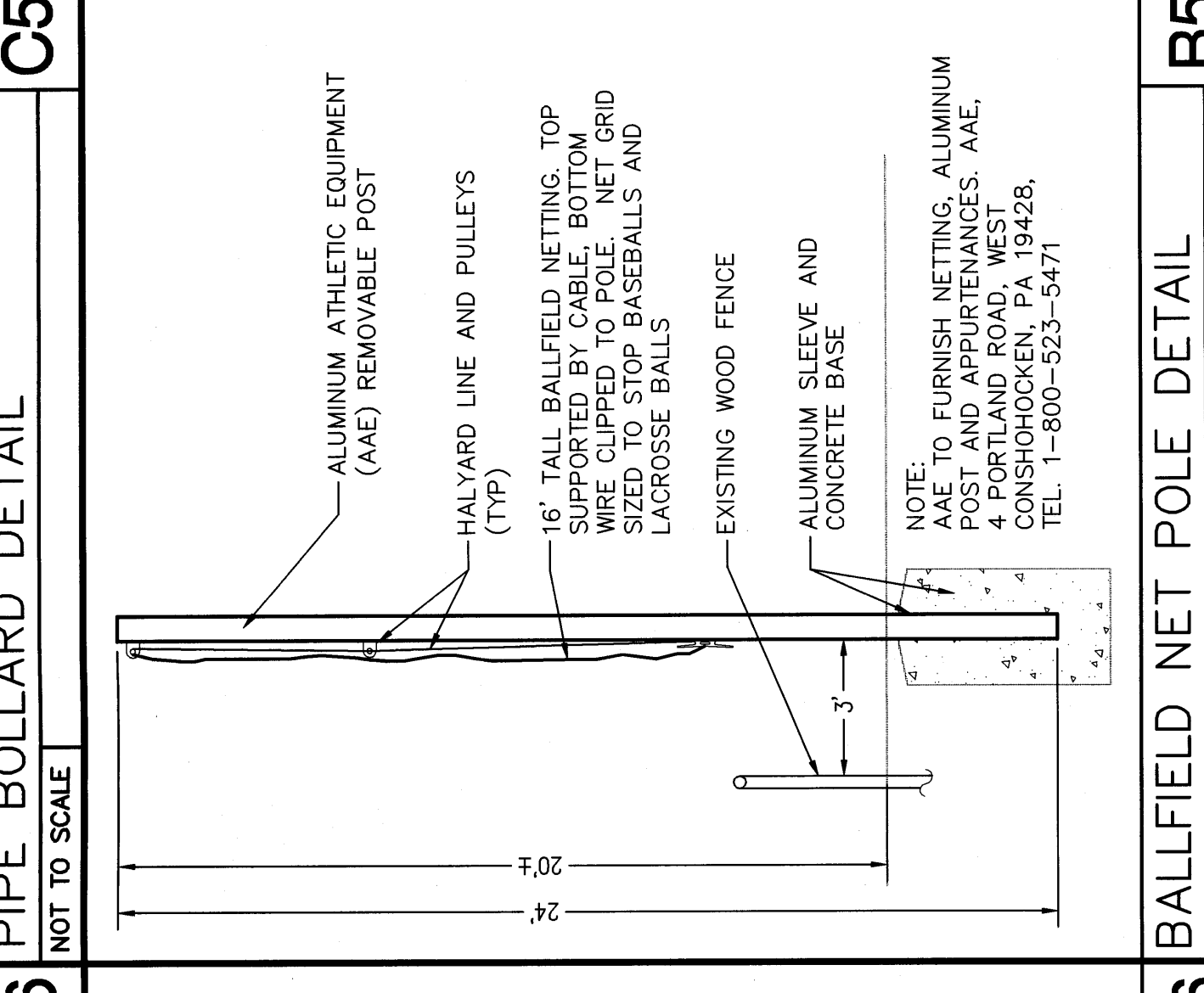
TYPICAL DOORWAY WALK SECTION
NOT TO SCALE



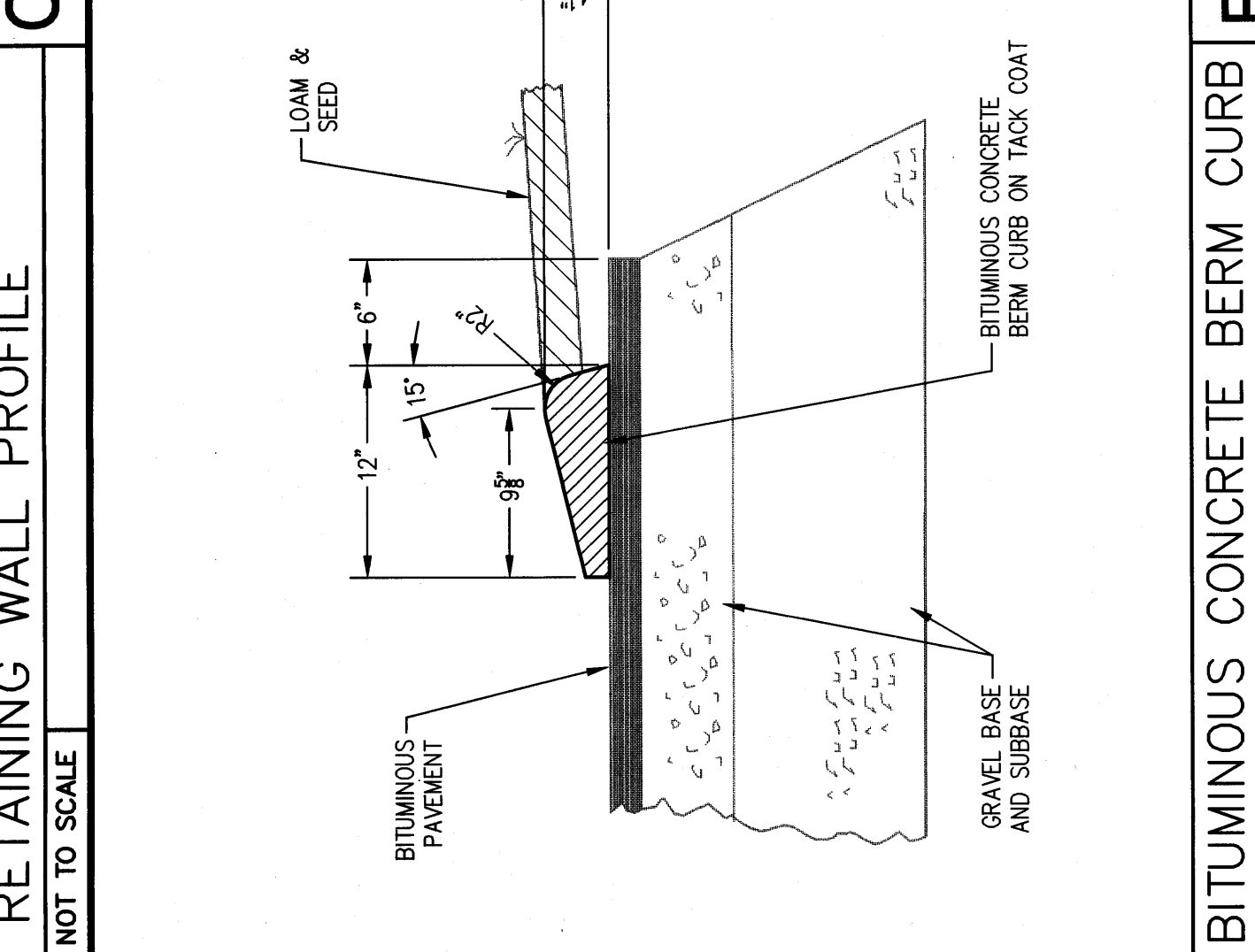
SILT FENCE
NOT TO SCALE



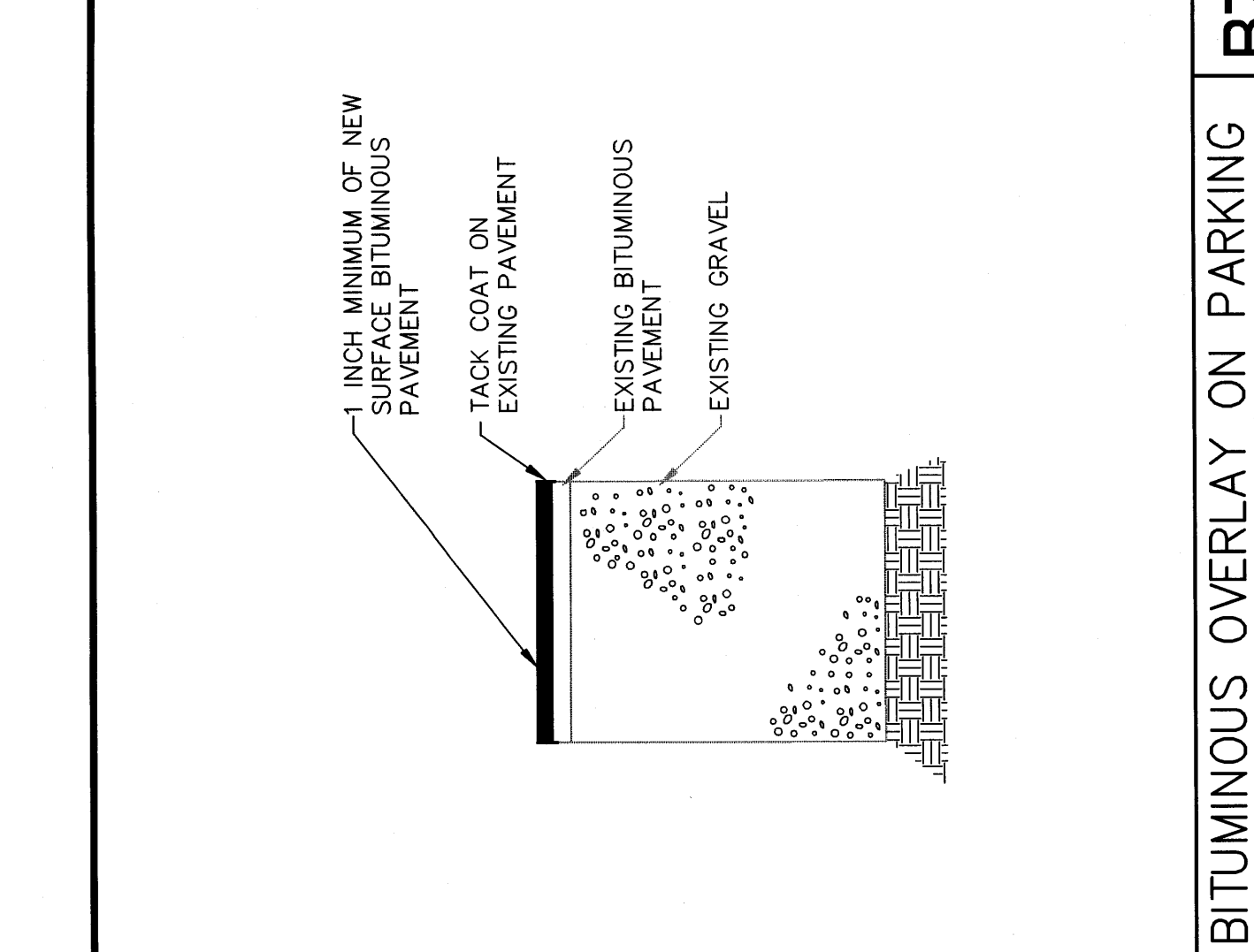
BLOCK AND STONE SEDIMENT FILTER
NOT TO SCALE



VERTICAL GRANITE TAPERED CURB END DETAIL
NOT TO SCALE



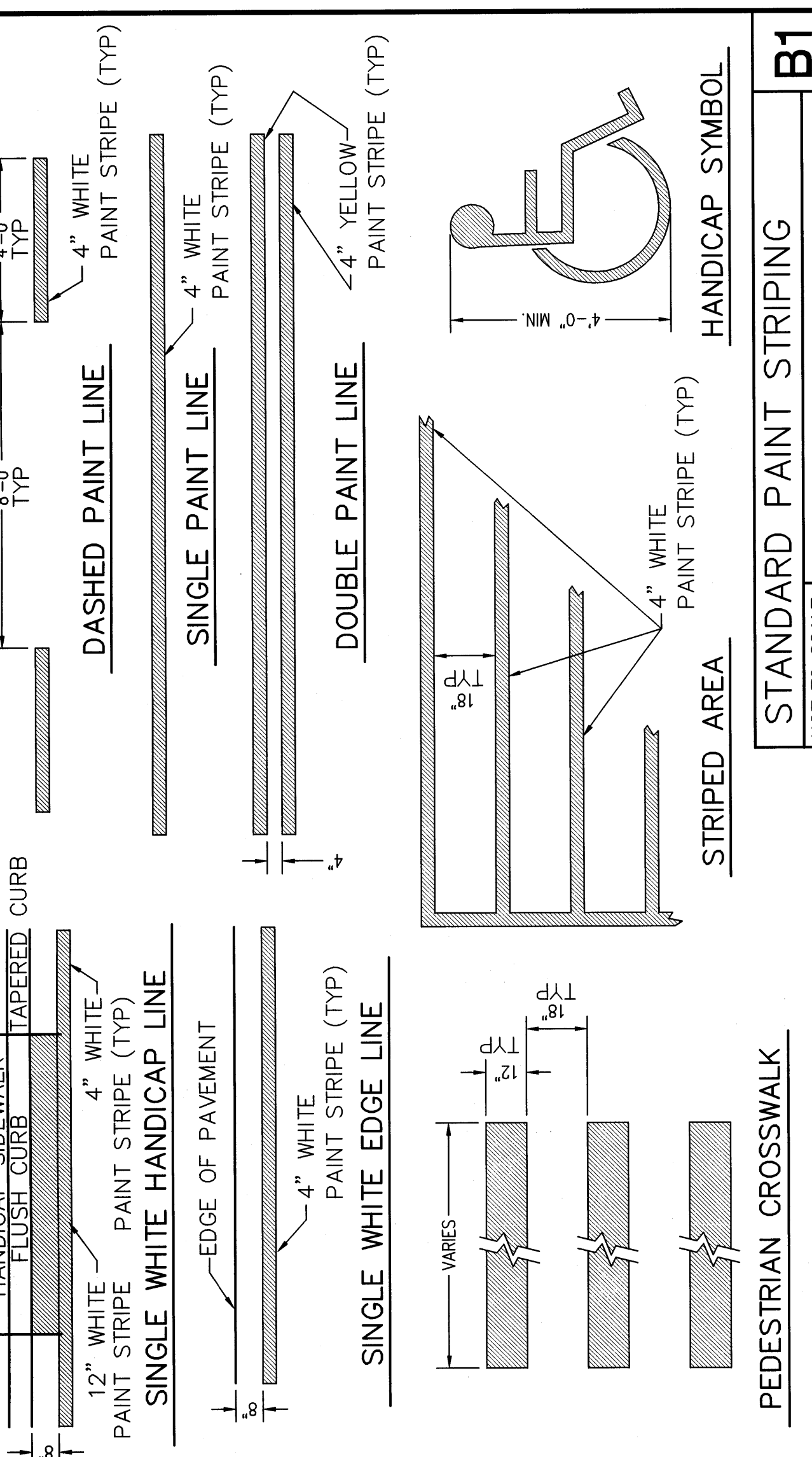
BITUMINOUS OVERLAY ON PARKING
NOT TO SCALE



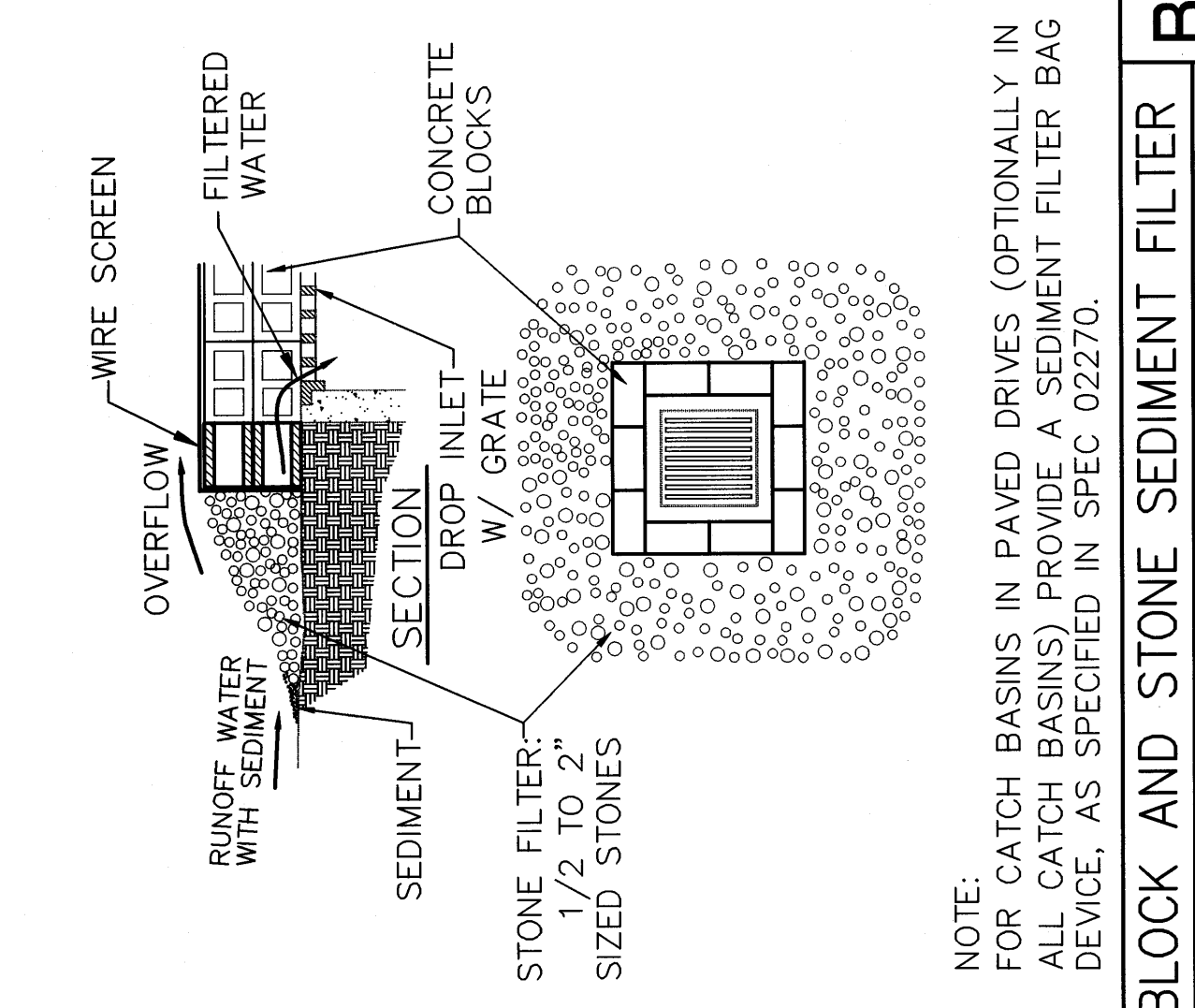
BITUMINOUS PAVEMENT DETAILS
NOT TO SCALE



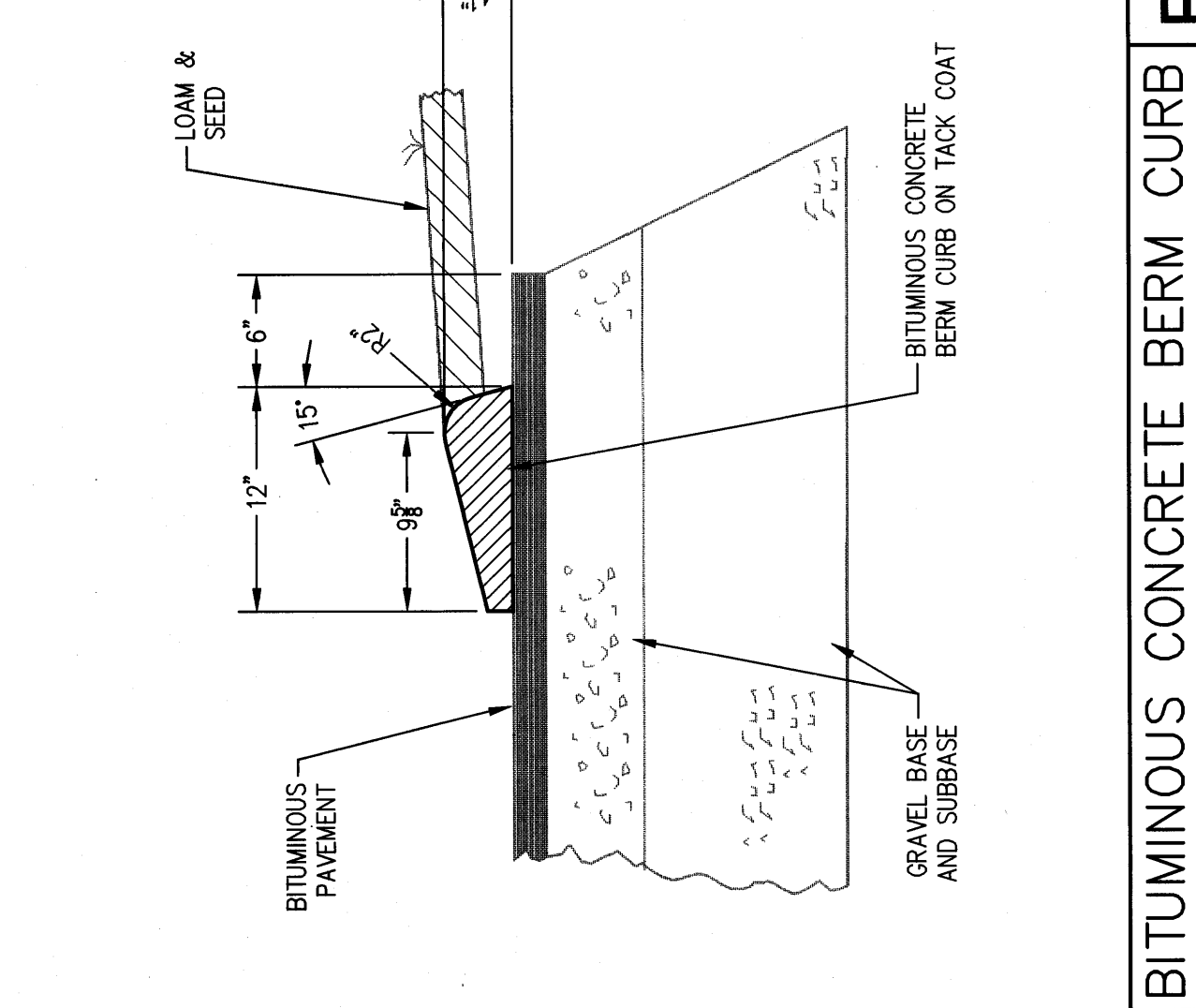
TYPICAL HANDICAPPED ACCESS RAMP
NOT TO SCALE



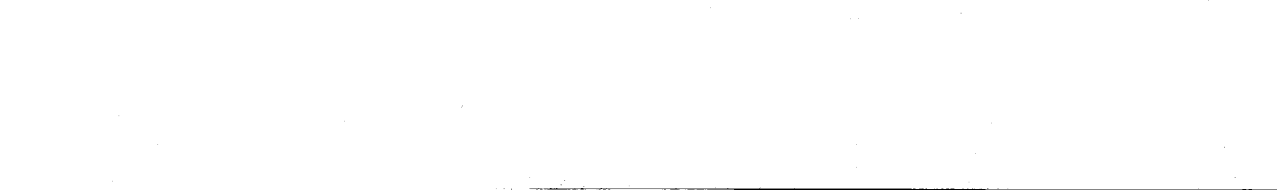
STANDARD PAINT STRIPING
NOT TO SCALE



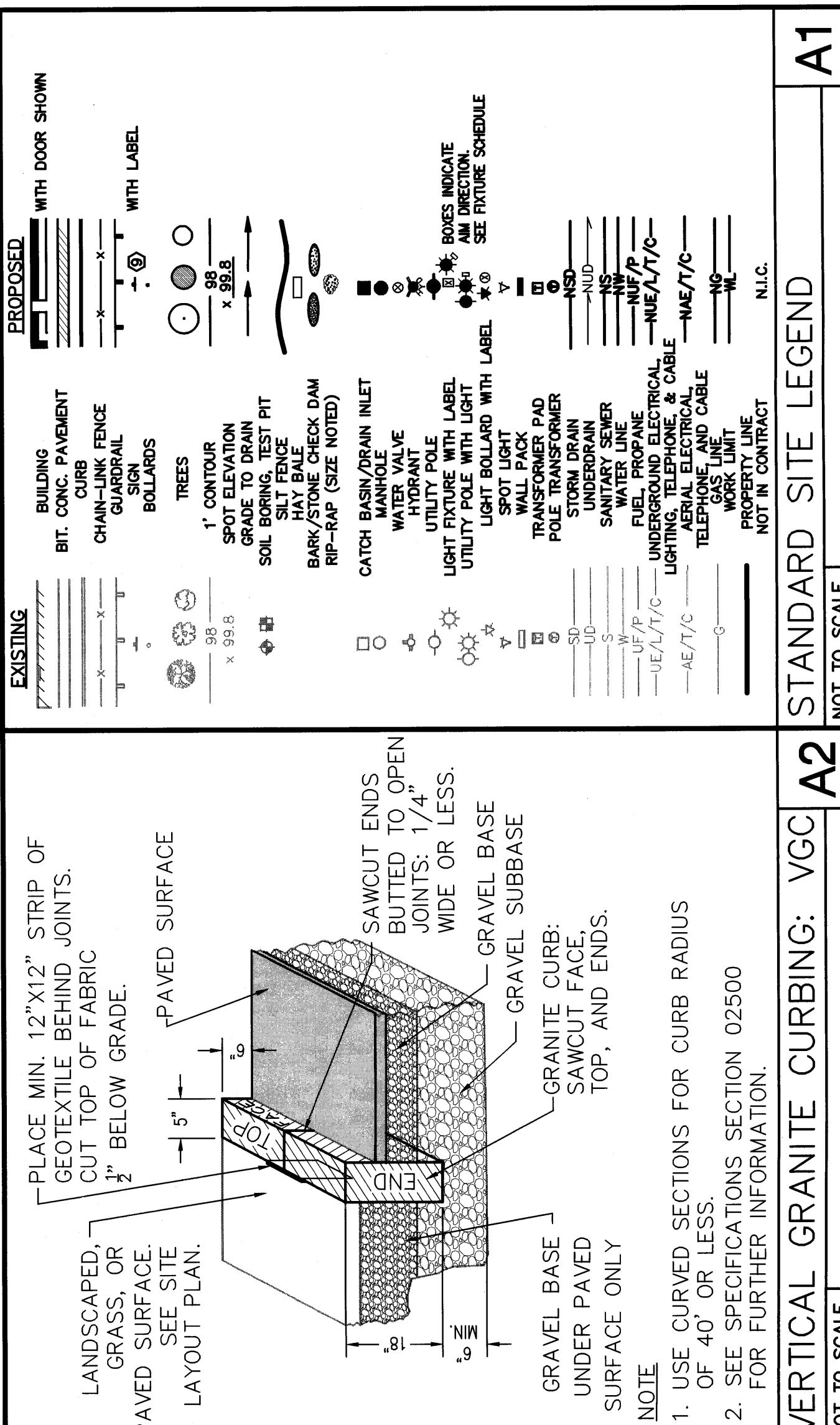
SLOPED GRANITE CURBING: SGC
NOT TO SCALE



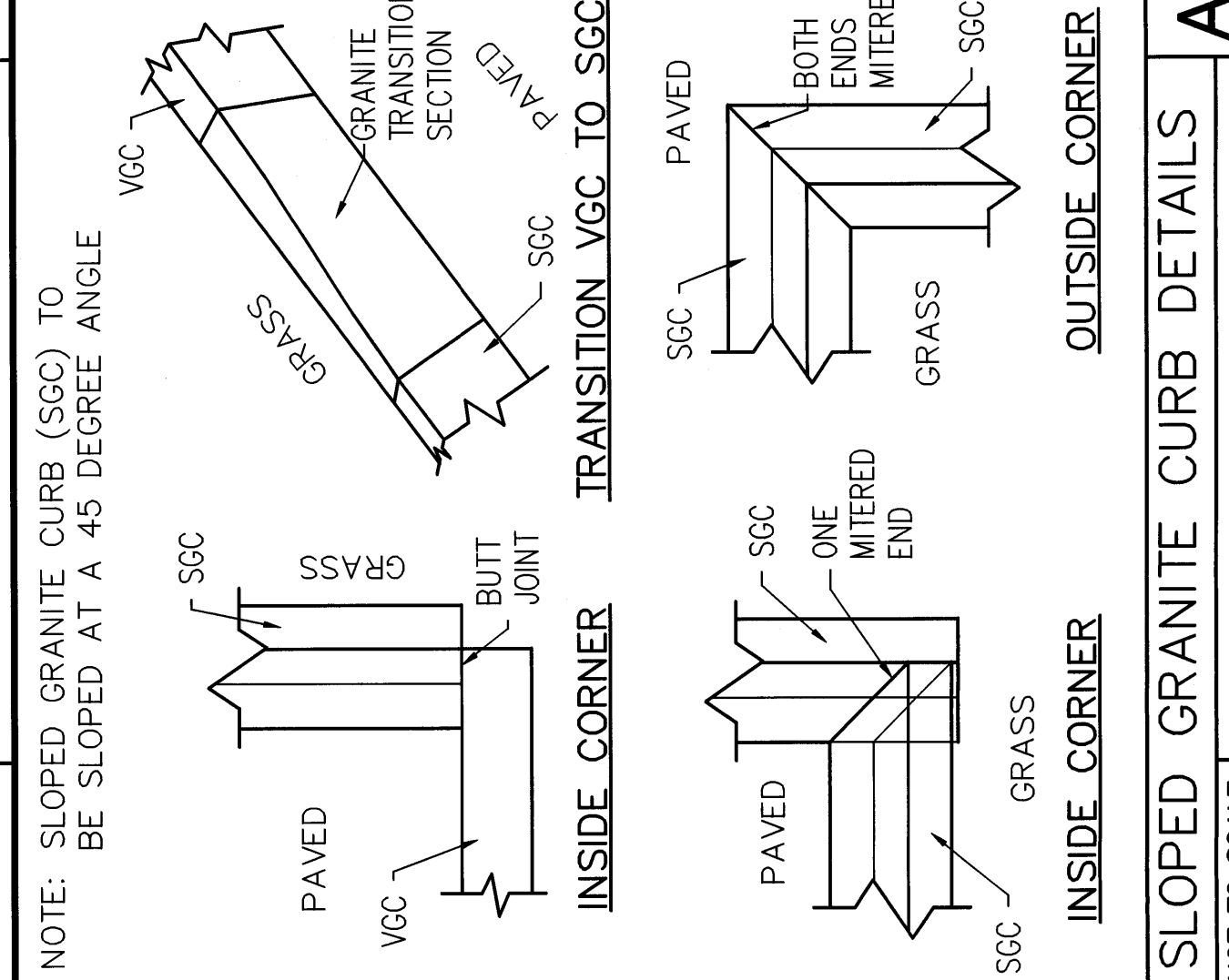
SLOPED GRANITE CURBING: VGC
NOT TO SCALE



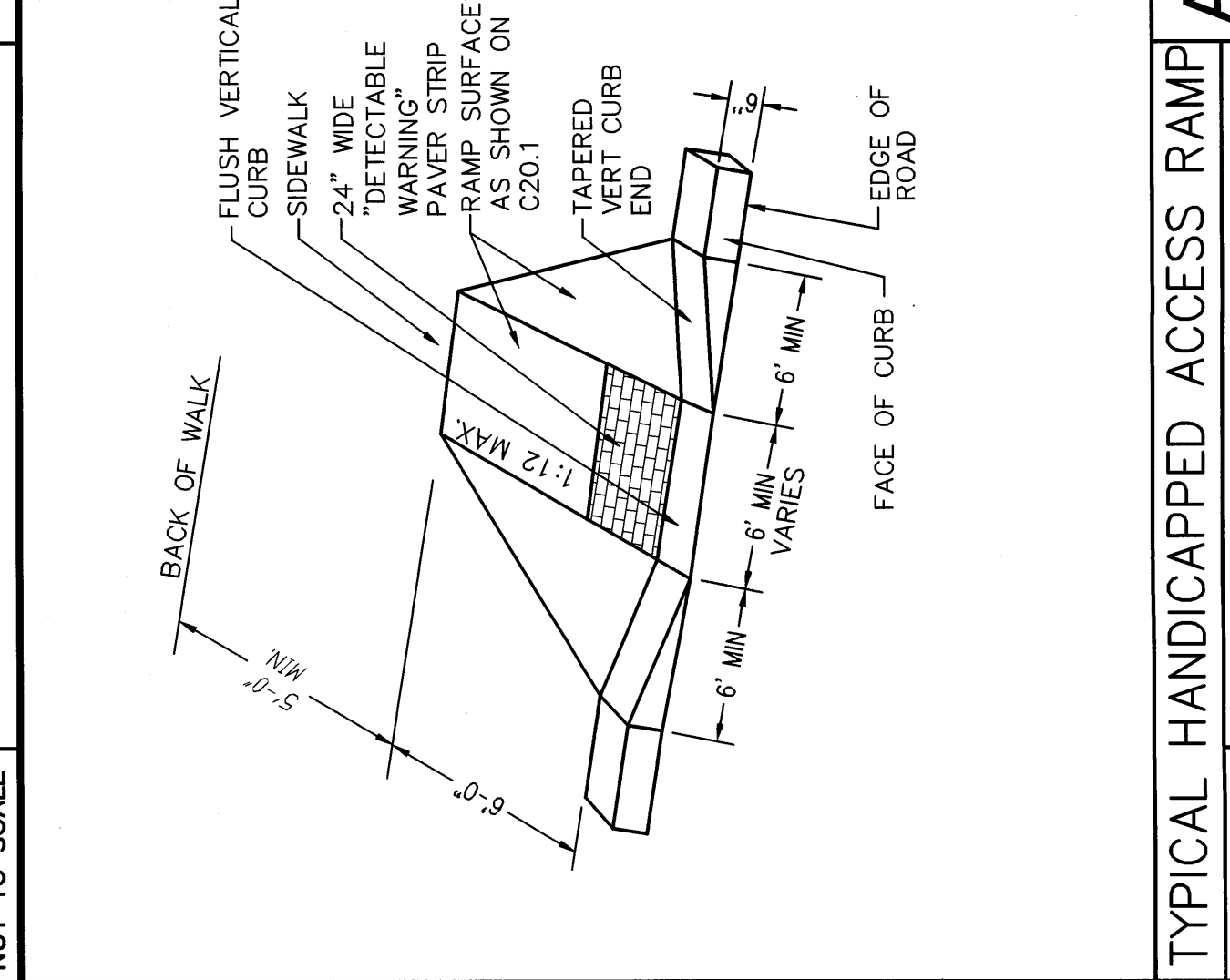
VERTICAL GRANITE CURBING: VGC
NOT TO SCALE



STANDARD SITE LEGEND
NOT TO SCALE



SLOPED GRANITE CURBING: SGC
NOT TO SCALE



SLOPED GRANITE CURBING: SGC
NOT TO SCALE



SLOPED GRANITE CURBING: SGC
NOT TO SCALE