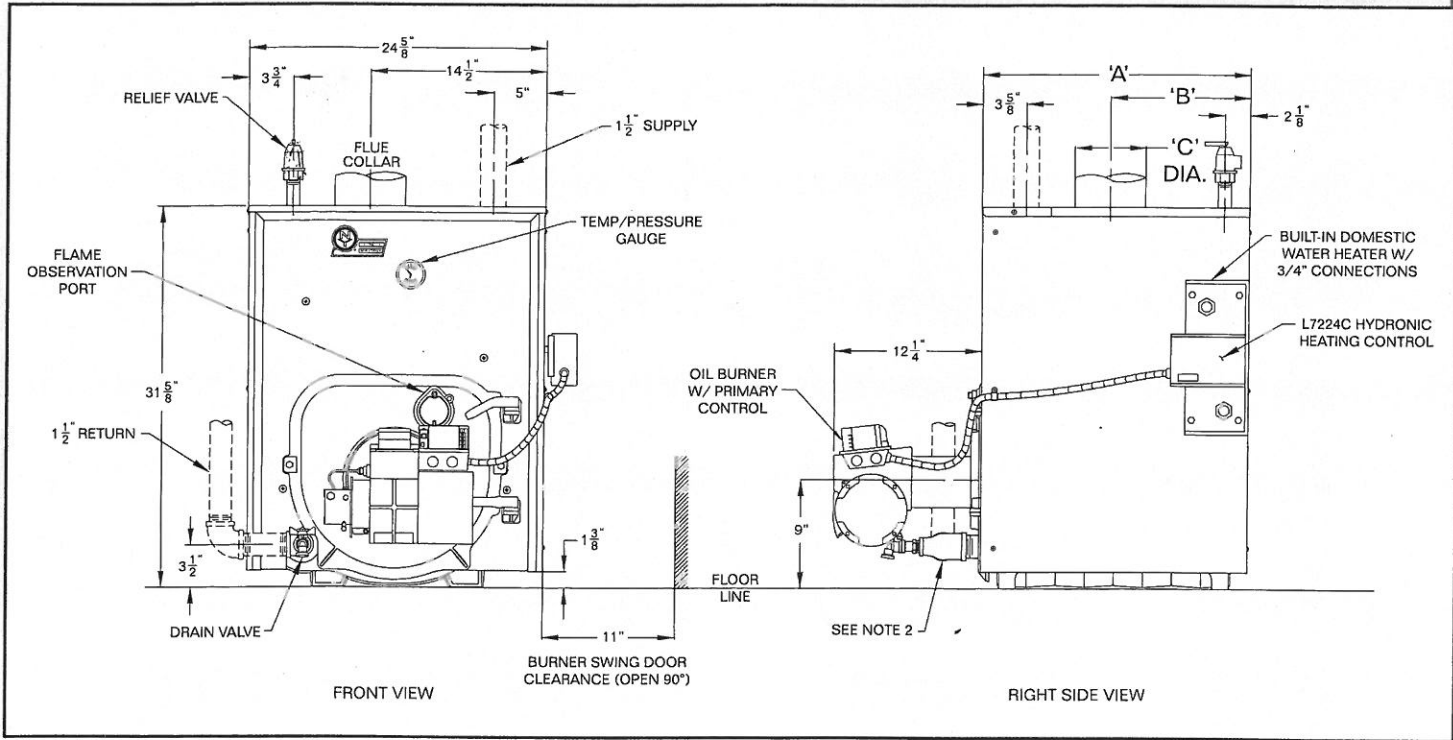


Model	DOE Heating Capacity	Net I=B=R Water MBH	I=B=R Firing Rate GPH	AFUE %	Minimum Chimney Requirements	Tankless Heater GPM	Jacket Depth 'A'	Jacket Rear to Center of Flue 'B'	Flue Collar Diameter 'C'	Approx. Shipping Weight
CL3-091	80	70	0.65	86.0	8" x 8" x15'	2.75	17-3/8"	8-1/4"	6"	560 lbs.
CL3-105	91	79	0.75	85.1	8" x 8" x15'	3.00	17-3/8"	8-1/4"	6"	560 lbs.
CL3-140	120	104	1.00	83.6	8" x 8" x15'	3.25	17-3/8"	8-1/4"	6"	560 lbs.
CL4-126	111	97	0.90	85.8	8" x 8" x15'	3.25	22-3/8"	10-7/8"	7"	680 lbs.
CL4-175	152	132	1.25	84.2	8" x 8" x15'	3.75	22-3/8"	10-7/8"	7"	680 lbs.
CL4-210	179	156	1.50	83.1	8" x 8" x15'	4.00	22-3/8"	10-7/8"	7"	680 lbs.
CL5-168	147	128	1.20	85.7	8" x 8" x15'	3.50	27-3/8"	13-3/8"	8"	800 lbs.
CL5-245	210	183	1.75	83.0	8" x 8" x15'	4.25	27-3/8"	13-3/8"	8"	800 lbs.
CL5-280	238	207	2.00	82.5	8" x 8" x15'	4.75	27-3/8"	13-3/8"	8"	800 lbs.



- Notes:
1. Circulator supplied loose — may be installed on supply or return.
 2. Return fittings and drain valve shipped loose.
 3. Piping shown hidden not furnished with boiler.



© 2010 New Yorker Boiler Company, Inc.
 Hatfield, PA
 (215) 855-8055
 www.newyorkerboiler.com
 PL81420101006 - 3/10 - 5Ms

