

City of Portland, Maine - Building or Use Permit Application

389 Congress Street, 04101 Tel: (207) 874-8703, Fax: (207) 874-8716

Permit No: 10-0174	Issue Date:	CBL: 155 E008001
-----------------------	-------------	---------------------

Location of Construction: 44 BAY ST	Owner Name: MGW CONSULTING AND DEVE	Owner Address: 46 IRVING ST	Phone:
Business Name:	Contractor Name: Builders Insulation/ Builders Install	Contractor Address: 515 Riverside Industrial Parkw Portlan	Phone: 2078786600
Lessee/Buyer's Name	Phone:	Permit Type: HVAC	Zone: R-3

Past Use: Single Family Home	Proposed Use: Single Family Home - install a FMI Direct-Vent Fireplace	Permit Fee: \$40.00	Cost of Work: \$1,225.00	CEO District: 4
		FIRE DEPT: <input type="checkbox"/> Approved <input checked="" type="checkbox"/> Denied <i>N/A</i>	INSPECTION: Use Group: U Type: HVAC <i>State Gas Regs</i>	

Proposed Project Description: install a FMI Direct-Vent Fireplace	Signature:	Signature:
	PEDESTRIAN ACTIVITIES DISTRICT (P.A.D.)	
	Action: <input type="checkbox"/> Approved <input type="checkbox"/> Approved w/Conditions <input type="checkbox"/> Denied	Date:

Permit Taken By: Jobson	Date Applied For: 02/25/2010	Zoning Approval
----------------------------	---------------------------------	------------------------

<p>1. This permit application does not preclude the Applicant(s) from meeting applicable State and Federal Rules.</p> <p>2. Building permits do not include plumbing, septic or electrical work.</p> <p>3. Building permits are void if work is not started within six (6) months of the date of issuance. False information may invalidate a building permit and stop all work.</p>	<p>Special Zone or Reviews</p> <input type="checkbox"/> Shoreland <input type="checkbox"/> Wetland <input type="checkbox"/> Flood Zone <input type="checkbox"/> Subdivision <input type="checkbox"/> Site Plan <input type="checkbox"/> Major <input type="checkbox"/> Minor <input type="checkbox"/> MM	<p>Zoning Appeal</p> <input type="checkbox"/> Variance <input type="checkbox"/> Miscellaneous <input type="checkbox"/> Conditional Use <input type="checkbox"/> Interpretation <input type="checkbox"/> Approved <input type="checkbox"/> Denied	<p>Historic Preservation</p> <input checked="" type="checkbox"/> Not in District or Landmark <input type="checkbox"/> Does Not Require Review <input type="checkbox"/> Requires Review <input type="checkbox"/> Approved <input type="checkbox"/> Approved w/Conditions <input type="checkbox"/> Denied
	Date: <i>oil</i> <i>2/24/10</i>	Date:	Date:

PERMIT ISSUED

MAR - 4 2010

City of Portland

CERTIFICATION

I hereby certify that I am the owner of record of the named property, or that the proposed work is authorized by the owner of record and that I have been authorized by the owner to make this application as his authorized agent and I agree to conform to all applicable laws of this jurisdiction. In addition, if a permit for work described in the application is issued, I certify that the code official's authorized representative shall have the authority to enter all areas covered by such permit at any reasonable hour to enforce the provision of the code(s) applicable to such permit.

SIGNATURE OF APPLICANT

ADDRESS

DATE

PHONE



FILL IN AND SIGN WITH INK

APPLICATION FOR PERMIT HEATING OR POWER EQUIPMENT

PERMIT ISSUED

MAR - 4 2010

City of Portland

To the INSPECTOR OF BUILDINGS, PORTLAND, ME.

The undersigned hereby applies for a permit to install the following heating, cooking or power equipment in accordance with the Laws of Maine, the Building Code of the City of Portland, and the following specifications:

Location / CBL 44 Box St. 155-E-8 Use of Building Home Date 2/25/10
 Name and address of owner of appliance Jared Robie PO Box 1508
Windham, ME, 04062
 Installer's name and address Builder installed Prod.
515 Riverside Ind. Pkwy. Portland Telephone 878-6600

Location of appliance:
 Basement Floor
 Attic Roof

Type of Fuel:
 Gas Oil Solid

Appliance Name FME 36" Victorian
 U.L. Approved Yes No

Will appliance be installed in accordance with the manufacture's installation instructions? Yes No

IF NO Explain: _____

The Type of License of Installer:
 Master Plumber # _____
 Solid Fuel # _____
 Oil # _____
 Gas # PdT-3025
 Other _____

Type of Chimney:
 Masonry Lined Factory built _____
 Metal Factory Built U.L. Listing # _____
 Direct Vent Type Horizontal U.L. _____

Size of Tank N/A
 Number of Tanks N/A
 Distance from Tank to Center of Flame _____ feet.
 Cost of Work: \$ 1225.00
 Permit Fee: \$ 50

RECEIVED
 FEB 25 2010
 Dept. of Building Inspections
 City of Portland Maine

Approved

Approved with Conditions

Fire: _____
 Ele.: _____
 Bldg.: _____

See attached letter or requirement

Inspector's Signature

Date Approved

Signature of Installer Bill [Signature]



CITY OF PORTLAND, MAINE

Department of Building Inspections

Original Receipt

9-17-09

Received from

Michael Wilson

Location of Work

46 Bay St.

Cost of Construction \$

\$

Building Fee:

Permit Fee

\$

60

Site Fee:

Certificate of Occupancy Fee:

Total:

60

Building (12)

Plumbing (15)

Electrical (12)

Site Plan (12)

Other

Demo

CBL:

155-E-7

Check #:

CC

Total Collected \$

60

**No work is to be started until permit issued.
Please keep original receipt for your records.**

Taken by:

[Signature]

WHITE - Applicant's Copy

YELLOW - Office Copy

PINK - Permit Copy



CITY OF PORTLAND, MAINE

Department of Building Inspections

Original Receipt

2-25 2010

Received from _____

Location of Work 44 Bay 155-E-8 46 Bay 155-E-9 27 DeLamar - 343-C-1K03

Cost of Construction \$ _____ Building Fee: _____

Permit Fee \$ _____ Site Fee: _____

Certificate of Occupancy Fee: _____

Total: 150

Building (12) _____ Plumbing (15) _____ Electrical (12) _____ Site Plan (12) _____

Other 3 HVAC

CEL: _____

Check #: 33000134 Total Collected \$ 150

**No work is to be started until permit issued.
Please keep original receipt for your records.**

Taken by: [Signature]

WHITE - Applicant's Copy
YELLOW - Office Copy
PINK - Permit Copy

City of Portland, Maine - Building or Use Permit

389 Congress Street, 04101 Tel: (207) 874-8703, Fax: (207) 874-8716

Permit No: 10-0174	Date Applied For: 02/25/2010	CBL: 155 E008001
-----------------------	---------------------------------	---------------------

Location of Construction: 44 BAY ST	Owner Name: MGW CONSULTING AND DEVE	Owner Address: 46 IRVING ST	Phone:
Business Name:	Contractor Name: Builders Insulation/ Builders Install	Contractor Address: 515 Riverside Industrial Parkw Portlan	Phone (207) 878-6600
Lessee/Buyer's Name	Phone:	Permit Type: HVAC	

Proposed Use: Single Family Home - install a FMI Direct-Vent Fireplace	Proposed Project Description: install a FMI Direct-Vent Fireplace
---	--

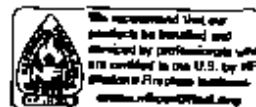
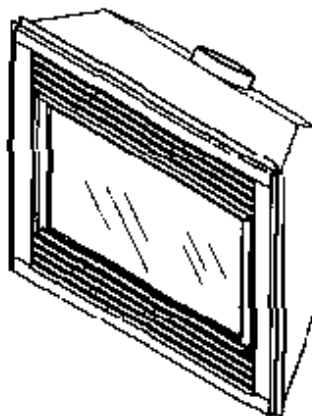
Dept: Zoning	Status: Approved	Reviewer: Marge Schmuckal	Approval Date: 02/26/2010
Note:			Ok to Issue: <input checked="" type="checkbox"/>
Dept: Building	Status: Approved with Conditions	Reviewer: Tammy Munson	Approval Date: 03/02/2010
Note:			Ok to Issue: <input checked="" type="checkbox"/>
1) The installation must comply			



FMI PRODUCTS, LLC

DIRECT-VENT FIREPLACE

OWNER'S OPERATION AND INSTALLATION MANUAL



**NATURAL GAS MODELS (V)VC36N AND CGCDV36NR SERIES
PROPANE/LP GAS MODELS (V)VC36P AND CGCDV36PR SERIES**

▲ WARNING: If the information in this manual is not followed exactly, a fire or explosion may result causing property damage, personal injury or loss of life.

- Do not store or use gasoline or other flammable vapors and liquids in the vicinity of this or any other appliance.
- **WHAT TO DO IF YOU SMELL GAS**
 - Do not try to light any appliance.
 - Do not touch any electrical switch; do not use any phone in your building.
 - Immediately call your gas supplier from a neighbor's phone. Follow the gas supplier's instructions.
 - If you cannot reach your gas supplier, call the fire department.
- Installation and service must be performed by a qualified installer, service agency or the gas supplier.

INSTALLER: Leave this manual with the appliance.
CONSUMER: Retain this manual for future reference.

LOCAL CODES

Install and use fireplace with care. Follow all local codes. In the absence of local codes, use the current *National Fuel Gas Code ANSI Z223.1/NFPA 54* (USA) or the current *CSA-B149.1 Installation Code* (Canada).

*Available from

American National Standards Institute, Inc.
1430 Broadway
New York, NY 10018
National Fire Protection Association, Inc.
Battery March Park
Quincy, MA 02269

PRODUCT FEATURES

These are a few facts that can help you understand and enjoy your direct-vent fireplace.

- The venting system may be routed to the outside of your home in several ways. It may vent through the roof (vertical) or it may vent to an outside exterior wall (horizontal). The vent pipe installation is very important to allow for proper operation. You must follow the venting instructions very carefully for either vertical or horizontal applications.
- This fireplace may be installed in any room of your house provided all local codes and these installation instructions are followed.
- This fireplace requires a wall switch, hand-held remote or wall thermostat (optional) for operation (see *Accessories*, page 42).
- This fireplace does not require electricity to operate.
- Only the blower requires electricity if installed and if you plan to install the blower at a later date, do not forget to wire the outlet at the bottom of the fireplace when framing.
- A piezo ignitor and ceramic electrode create spark to ignite the pilot light. It does not require any matches, batteries or any other sources of ignition to light the pilot.
- Each time you turn on your fireplace, you may notice some amount of condensation on the inside of the fireplace glass. This is normal and will disappear after 10-20 minutes of operation.
- Your direct-vent gas fireplace system (fireplace and venting) is a balanced and sealed gas operating unit. It requires approximately 10-20 minutes of operating time before the flame pattern stabilizes.
- Fireplaces with the suffix of -HA have been designed to operate at altitudes of 1000 feet and above.

PRE-INSTALLATION PREPARATION

LOCATION AND SPACE REQUIREMENTS

Determine the safest and most efficient location for your FMI PRODUCTS, LLC direct-vent fireplace. Make sure that rafters and wall studs are not in the way of the venting system. Choose a location where the heat output is not affected by drafts, air conditioning ducts, windows or doors. Figure 2 shows some common locations. Be aware of all restrictions and precautions before deciding the exact location for your fireplace and termination cap.

When deciding the location of your fireplace follow these rules:

- Do not connect this fireplace venting to a chimney flue serving a separate solid-fue burning fireplace or appliance.
- Due to high temperatures, do not locate this fireplace in high traffic areas, windy or drafty areas or near furniture or draperies.
- Proper clearances must be maintained.

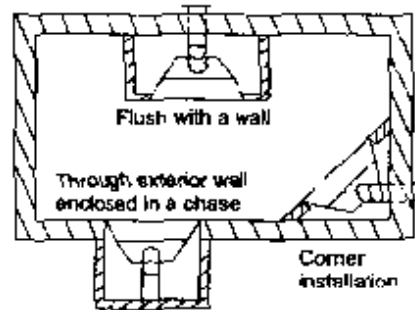


Figure 2 - Common Fireplace Locations

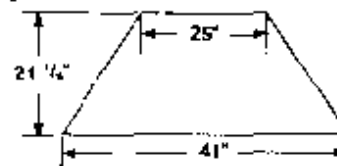


Figure 3 - Fireplace Bottom Dimensions

PRE-INSTALLATION PREPARATION

Continued

- If your fireplace is to be installed directly on carpeting, vinyl tile or any combustible material other than wood, it must be installed on a metal or wood panel extending the full width and depth of the fireplace. See Figure 3, page 5.
- Your fireplace is designed to be used in zero clearance installations. Wall or hearing material can be placed directly against any exterior surface on the back, sides or top of your fireplace, except where standoff spacers are integrally attached. If standoff spacers are attached to your fireplace, these spacers can be placed directly against wall or framing material. See framing details on page 7.
- If you plan on installing a television or entertainment center recessed above your fireplace, it is recommended that you maintain a minimum 18" above top of louver opening.
- When locating termination cap, it is important to observe the minimum clearances shown in Figure 7, page 8.
- If recessing into a wall, you can avoid extra framing by positioning your fireplace against an already existing framing member.
- Do not recess termination cap into a wall or siding.
- You may paint the termination cap with 450° F (232° C) heat-resistant paint to coordinate with the exterior finish.
- There must not be any obstruction such as bushes, garden sheds, fences, decks or utility buildings within 24" from the front of the termination cap.
- Do not locate termination cap where excessive snow or ice build-up may occur. Be sure to clear vent termination area after snow falls to prevent accidental blockage of venting system. When using snow blowers, do not direct snow towards vent termination area.
- For horizontal installations above 2,000 feet, it is recommended that a 12" extension pipe be added before starter elbow and a round horizontal termination be used (see High Altitude Installation, page 17).

CLEARANCES

Minimum clearances to combustibles for the fireplace are as follows:

Back and sides	0"
Perpendicular walls	6"
Floor	0"
Ceiling to louver opening	42"
Front	36"
Top of Standoff	0"
Vent	(See venting instructions for specific venting clearances.)

Combustible material with a maximum thickness of 5/8" may be flush with the top front of fireplace.

* For back and sides of fireplace, do not pack with insulation or other materials. 0" clearance to combustible materials are for framing purpose only.

NOTICE: This fireplace is intended for use as supplemental heat. Use this fireplace along with your primary heating system. Do not install this fireplace as your primary heat source. If you have a central heating system, you may run system's circulating blower while using fireplace. This will help circulate the heat throughout the house. In the event of a power outage, you can use this fireplace as a heat source.

FRAMING AND FINISHING

Figure 4 shows typical framing of the fireplace. Figure 5 shows framing for corner installation. All minimum clearances must be met.

For available accessories for this fireplace, see Accessories on page 42. If you are using a separate combustible mantel piece, refer to Figure 6 for proper installation height. You can install noncombustible mantels at any height above the fireplace.

Note: Noncombustible mantels may differ in color!

PRE-INSTALLATION PREPARATION

Continued

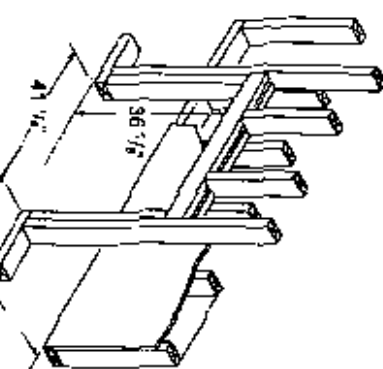


Figure 4 - Framing Clearance for Installation Against an Exterior Wall

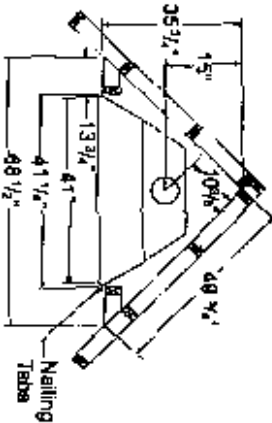
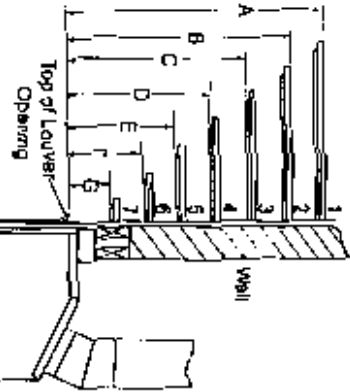


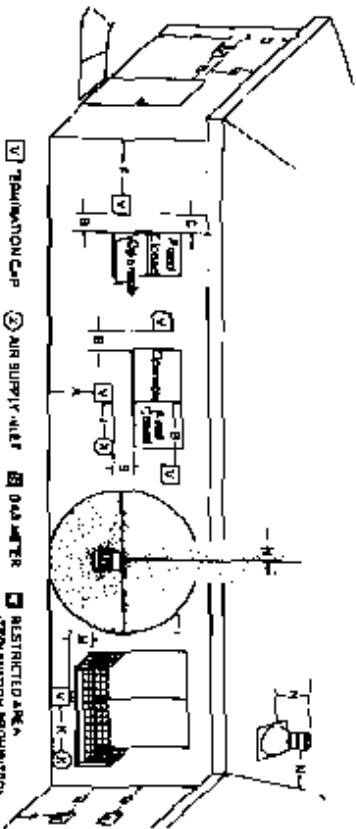
Figure 5 - Framing Clearance for Corner Installation



Mantel Ref.	Mantel Depth	Mantel Ref.	Mantel from Top of Louver Opening
1	14"	A	16"
2	12"	B	14"
3	10"	C	12"
4	8"	D	10"
5	6"	E	8"
6	4"	F	6"
7	2"	G	4"

Figure 6 - Clearance for Combustible Mantels

LOCATION OF TERMINATION CAP



- A = distance above grade, vented, porch, deck, or balcony (12" (30.5 cm) minimum)
- B = distance to window or door, minimum 18" (45.7 cm) in US (1.5 cm) min. for 10,000 Btu or less & 12" (30 cm) in Canada (between 10,000 and 50,000; 12" (30 cm) in US if greater than 50,000; 30" (76.2 cm) in Canada if greater than 100,000)
- C = clearance to permanently closed window (minimum 12" (30.5 cm) recommended to prevent condensation on window)
- D = vertical clearance to overhead walk, ledge above the vent, or other horizontal obstruction (8" (20 cm) from the centerline of the vent) (45.7 cm minimum)
- E = clearance to unventilated soffit (12" (30.5 cm) minimum)
- F = clearance to outside corner (see below)
- G = clearance to inside corner (see below)
- H = cap to be installed above a manufacturer assembly with 36" (91.4 cm) horizontally from the centerline of the register
- I = vent shall not terminate directly above a side-walk or paved driveway or paved driveway which is located between two single family dwellings and extend both dwellings
- J = only permitted if approved, porch, walk or balcony is fully open, or a minimum of 2 sides (various by jurisdiction as indicated in CAN/CSA B149.1 or 2) (prohibition Order (161)) for Canada and U.S.A.
- K = clearance to a mechanical air supply inlet (in Canada, 5 ft (1.5 m) minimum; in US 3 ft (91 cm) above & within 10 ft (3 m) horizontally)
- L = clearance above deck, sidewalk, or a paved driveway (based on public assembly) (for CAN/CSA B149.1 (1)2 (30.5 cm) minimum)
- M = clearance to outside corner (see below)
- N = clearance above a roof shall extend a minimum of 24" (61 cm) above the highest point where it passes through the roof surface and any other obstruction which a horizontal distance of 18" (46.7 cm)
- O = clearance to non-vented air supply inlet to building (or the combination or rule to any other limitation) (for 1.5 cm) min. for 10,000 Btu or less, & 12" (30 cm) in US (between 10,000 and 50,000; 12" (30 cm) in Canada if between 10,000 and 100,000; 12" (30 cm) in US if greater than 100,000; 30" (76.2 cm) in Canada if greater than 100,000)
- P = clearance to service regulator when outlet (12" (30.5 cm) minimum)
- Q = distance to door, window, porch, deck
- R = distance to restricted area

Termination Clearances for Buildings with Combustible and Noncombustible Exterior Sides

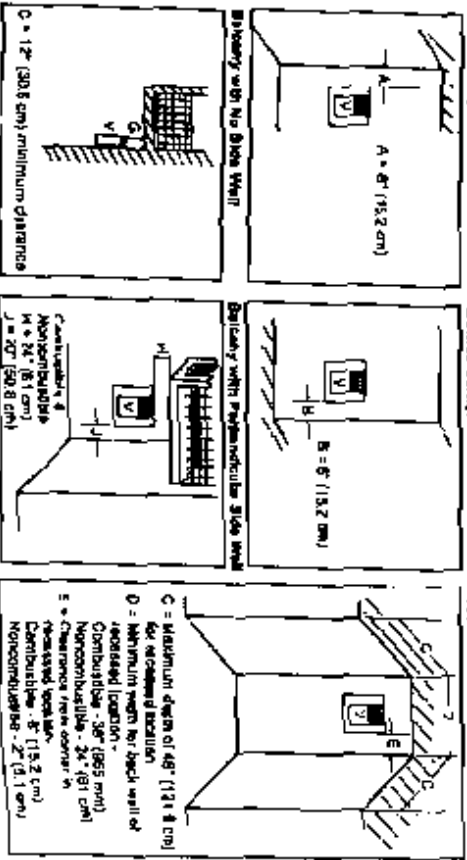


Figure 7 - Minimum Clearances for Termination Cap

www.fmi/products.cfm

11/2005-01M

VENTING INSTALLATION

NOTICE: Read these instructions completely before attempting installation.

These models are tested and approved for use with FMI PRODUCTS, LLC (direct-vent) pipe components and terminations.

The venting system must terminate on the outside of the structure and can not be attached to a chimney or the system serving a separate solid fuel or gas burning appliance. A direct-vent appliance must have its own venting system. DO NOT connect vent to this appliance.

These models are approved to be vented either horizontally through an outside wall or vertically through a roof or chase enclosure using the following guidelines:

- When venting system terminates horizontally on an outside wall, you may install a shroud if the termination cap is to be installed directly on a combustible finish such as vinyl, wood, stucco, etc.
- Never run the vent downward as this may cause condensate temperatures which could cause a fire.
- Vent pipe air space clearances to combustibles and 1" on all sides except on the horizontal sections, which require 2" clearance from the top of the pipe. Where the termination cap penetrates a combustible wall, 1" air space clearance is required.
- Snorkel terminations are required when minimum clearances to grade cannot be met (see Figure 16 on page 13).
- Have freestops and selected vent components on hand to help determine the exact measurements when allowing for offsetting. Always use wall freestops when penetrating walls and freestops when penetrating ceilings or attic spaces.
- If using a venting configuration of only horizontal venting with no vertical run, a 1/4" riser for every 12" of run toward the termination is required.
- For installation of freestops at elevations of 4000 feet or greater, pay special attention to venting requirement recommendations.

WARNING: Read all instructions completely and thoroughly before attempting installation. Failure to do so could result in serious injury, property damage or loss of life.

NOTICE: Failure to follow these instructions will void the warranty.

NOTICE: Do not use termination cap to vent pipe. Cap must be removable for vent inspection and maintenance.

INSTALLATION PRECAUTIONS

- Wear gloves and safety glasses for protection
- Use extreme caution when using ladders or when on roof tops
- Be aware of electrical wiring locations in walls and ceilings

The following actions will void the warranty on your venting system.

- Installation of any damaged venting component
- Unauthorized modification of the venting system (Do not cut or alter vent components)
- Installation of any component part not manufactured or approved by FMI PRODUCTS, LLC
- Installation older than as instructed by these instructions

WARNING: This gas fireplace and vent assembly must be vented directly to the outside. The venting system must NEVER be attached to a chimney serving a separate solid fuel burning appliance. Each direct-vent gas appliance must use a separate vent system. Do not use common vent systems.

WARNING: Vent pipe air space clearances to combustibles are 1" on all sides except on the horizontal sections, which require 2" clearance from the top of the pipe. Where the termination cap penetrates a combustible wall, 1" air space clearance is required.

VENTING INSTALLATION

Continued

INSTALLATION PLANNING

There are two basic types of direct-vent installation:

- Horizontal Termination
- Vertical Termination

Horizontal Termination Installation

IMPORTANT: Horizontal square terminations require only inner portion of wall freestop. Horizontal installations using round termination require exterior portion of wall freestop (see Figure 14, page 12)

1. Seal fireplace in its desired location and determine route your horizontal venting will take. Do not secure fireplace until all venting has been installed. Some installations require sliding freestops in and out of position to make final venting connections. Figures 14 through 18 on pages 12 through 14 show different configurations for venting with horizontal termination that will help you decide which application best suits your installation. Check to see if wall studs or roof rafters are in the path of your desired venting route. If they are, you may want to adjust location of fireplace.
2. Direct vent pipe sections and components are designed with special twist-lock connections.

Twist-Lock Procedure: Female ends of pipes have locking lugs (indentations). These lugs will slide straight into matching slots on male ends of adjacent pipes. Push pipe sections together and twist one section clockwise approximately one-quarter turn until sections are fully locked (see Figure 8)

Note: Horizontal runs of vent must be supported every three feet. Use wall straps for this purpose.

3. Use a 45° elbow to connect venting system to fireplace flue collar. The elbow is designed to be twist-locked onto flue collar as described in step 2. **IMPORTANT:** Do not attempt to alter configuration of elbow by cutting, twisting, bending, etc.
4. Assemble desired combination of pipe and elbows to fireplace flue collar. If there are long portions of venting run, pre-assembled pipe sections may be installed as sub-assemblies for convenience

5. Carefully determine location where vent pipe assembly will penetrate outside wall. Center of hole should line up with center line of horizontal vent pipe. Mark wall for a 1 1/2" x 1 1/2" square hole.

Cut and frame square hole in exterior wall where vent will be terminated. If wall being penetrated is constructed of non-combustible material, such as masonry brick or concrete, a 3/16" hole with zero clearance is acceptable (see Figure 9).

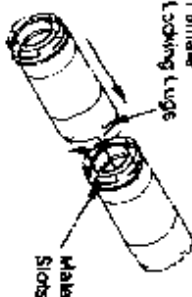


Figure 8 - Vent Pipe Connections

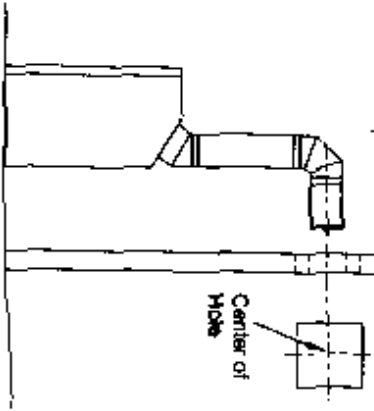
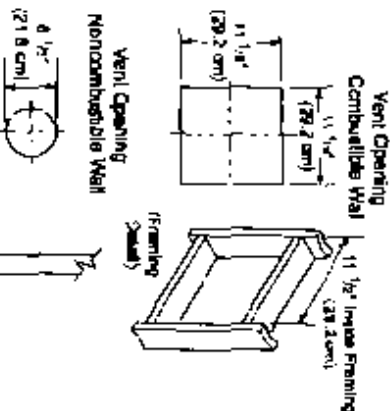


Figure 9 - Vent Opening Requirements

VENTING INSTALLATION

Continued

WARNING: Do not recess vent termination into any wall. This will cause a fire hazard.

6. Noncombustible Exterior Wall: Position horizontal vent cap in center of 8 1/2" round hole and attach to exterior wall with four wood screws provided. Before attaching vent cap to exterior wall, run a bead of non-hardening mastic (pliable sealant) around outside edges to make a seal between it and the outside wall.

Note: Four wood screws provided should be replaced with appropriate fasteners for stucco, brick, concrete or other types of surfaces.

Combustible Exterior Wall: For vinyl siding, stucco or wood exterior, a sliding standoff may be installed between vent cap and exterior wall. Sliding standoff prevents excessive heat from damaging siding material. Siding material must be cut to accommodate standoff. Bolt vent cap to standoff. Apply non-hardening mastic around outside edge of standoff. Position standoff/cap assembly in center of 1 1/2" square hole and attach to exterior wall with wood screws provided (see Figure 11). Sliding standoff must sit flush against exterior facade material.

7. Connecting Vent Cap with Horizontal Vent Pipe: Slide wall freestop over vent pipe before connecting horizontal run to vent cap (see Figure 12).

Carefully move fireplace, with vent assembly attached, toward wall and insert vent pipe into horizontal termination. Pipe overlap should be a minimum of 1 1/2" (see Figure 13, page 12).

Slide wall freestop against interior wall surface and attach with screws provided. See Figure 13, page 12, for horizontal termination details.

Place freestop in position and align with noncombustible material if needed. Nail or screw side flanges to framing to secure unit in place. **IMPORTANT:** Make sure fireplace is level before securing. If fireplace is not level it will not work properly.

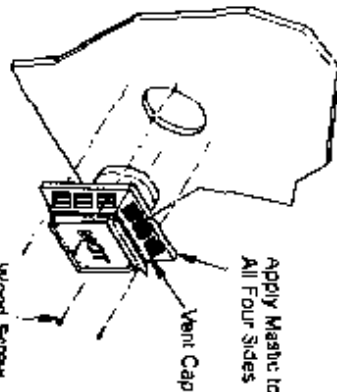


Figure 10 - Installing Horizontal Vent Cap (Noncombustible Exterior)

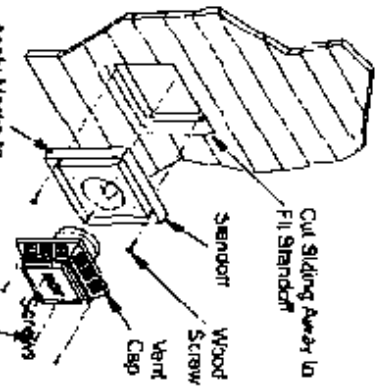


Figure 11 - Installing Sliding Standoff (Combustible Exterior Wall)

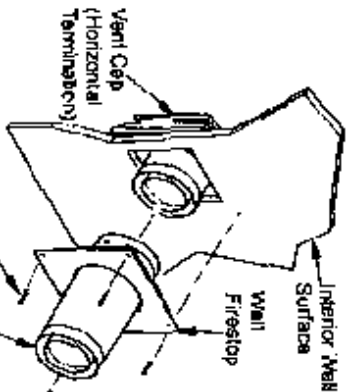


Figure 12 - Connecting Vent Cap with Horizontal Vent Pipe



VENTING INSTALLATION

Continued

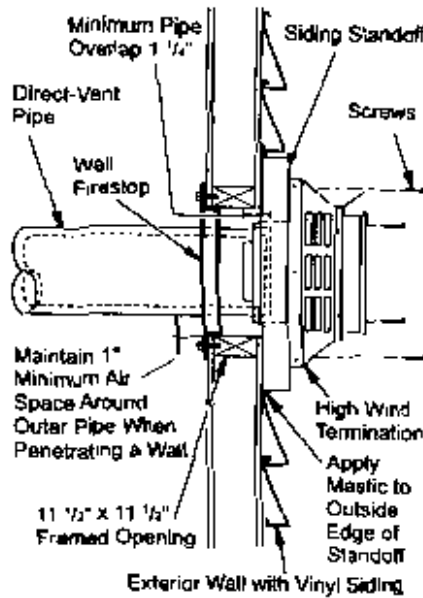


Figure 13 - Typical Horizontal Termination Cap Mounting with Additional Siding Standoff Installed

Horizontal Termination Configurations

Figures 14 through 18 show different configurations and alternatives for venting with horizontal termination. Each figure includes a chart with critical minimum and maximum dimensions which **MUST** be met.

IMPORTANT: If using a venting configuration of only horizontal venting with no vertical run, a 1/4\"

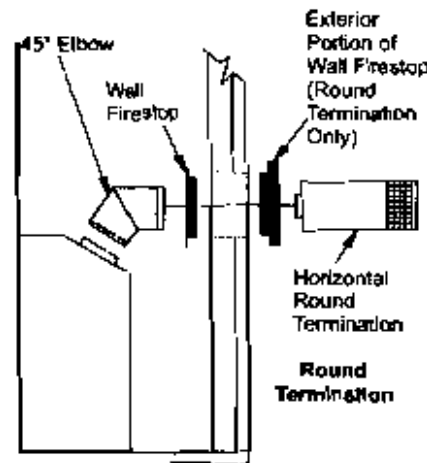
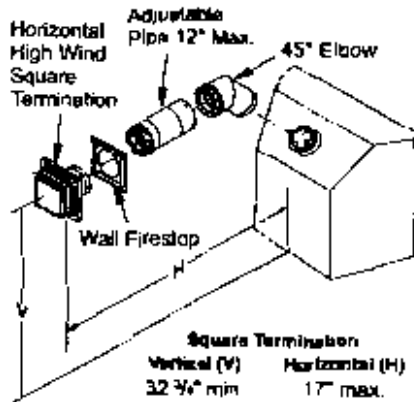
NOTICE: Do not seal termination cap to vent pipe. Cap must be removable for vent inspection and maintenance.

WARNING: Never run vent downward as this may cause excessive temperatures which could cause a fire. Operation of improperly installed and maintained venting system could result in serious injury, property damage or loss of life.

GROUND FLOOR INSTALLATION

Recommended Applications

- Installation using cabinet surrounds
- Through the wall using round or square termination (up to 12\"
- **NOT FOR CORNER INSTALLATION**



* If installing this fireplace at altitudes of 4000 feet and above, it is recommended that an additional vertical height of 6\"

Figure 14 - Horizontal Termination Configuration for Square or Round Termination

SPECIFICATIONS

VC36N, VVC36N AND CGCDY36NR

- Rating: 22,400/32,000 Btu/hr
- Gas Type: Natural Gas Only
- Ignition: Piezo
- Manifold Pressure: 3.5" w.c.
- Minimum Inlet Supply Pressure: 5.5" w.c.
- Firebox Dimensions (HxWxD) (Flanges and Standoffs Not Included in Measurement): 36" x 41" x 21 1/4" (91 x 104 x 54 cm)

VC38P, VVC38P AND CGCDY38PR

- Rating: 20,000/28,000 Btu/hr
- Gas Type: Propane/LP Gas Only
- Ignition: Piezo
- Manifold Pressure: 10" w.c.
- Minimum Inlet Supply Pressure: 11" w.c.
- Firebox Dimensions (HxWxD) (Flanges and Standoffs Not Included in Measurement): 36" x 41" x 21 1/4" (91 x 104 x 54 cm)

VC36N(B)-HA AND VVC38N-HA

- Rating: 22,400/32,000 Btu/hr
- Gas Type: Natural Gas Only
- Ignition: Piezo
- Manifold Pressure: 3.8" w.c.
- Minimum Inlet Supply Pressure: 5.5" w.c.
- Firebox Dimensions (HxWxD) (Flanges and Standoffs Not Included in Measurement): 36" x 41" x 21 1/4" (91 x 104 x 54 cm)

REPLACEMENT PARTS

Note: Use only original replacement parts. This will protect your warranty coverage for parts replaced under warranty.

PARTS UNDER WARRANTY

Contact authorized dealers of this product. If they can't supply original replacement part(s), call FMI PRODUCTS, LLC at 1-866-328-4537.

When calling, have ready:

- your name
- your address
- model and serial numbers of your heater
- how heater was malfunctioning
- purchase date

Usually, we will ask you to return the part to the factory.

SERVICE HINTS

When Gas Pressure Is Too Low

- pilot will not stay lit
- burners will have delayed ignition
- fireplace will not produce specified heat
- propane/LP gas supply might be low (propane/LP units only)

You may feel your gas pressure is too low. If so, contact your local gas supplier.

TECHNICAL SERVICE

You may have further questions about installation, operation, or troubleshooting. If so, contact FMI PRODUCTS, LLC at 1-866-328-4537. When calling please have your model and serial numbers of your heater ready.

You can also visit our web site at www.fmiproducts.com.