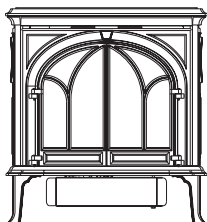
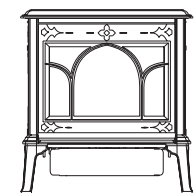




Jøtul GF 100 DV II Nordic QT
Jøtul GF 200 DV II Lillehammer
Direct Vent Gas Stove



Installation and Operation Instructions

WARNING: If the information in these instructions is not followed exactly, a fire or explosion may result causing property damage, personal injury or loss of life.

- Do not store or use gasoline or other flammable vapors and liquids in the vicinity of this or any other appliance.
- **WHAT TO DO IF YOU SMELL GAS**
 - Do not try to light any appliance.
 - Do not touch any electrical switch; do not use any phone in your building.
 - Immediately call your gas supplier from a neighbor's phone. Follow the gas supplier's instructions.
 - If you cannot reach your gas supplier, call the fire department.
- Installation and service must be performed by a qualified installer, service agency or the gas supplier.
- In the Commonwealth of Massachusetts, a carbon monoxide (CO) detector shall be installed in the same room as the appliance.

This appliance may be installed in an aftermarket, permanently located, manufactured home or mobile home, where not prohibited by local codes.

This appliance is only for use with the types of gas indicated on the rating plate. A conversion kit is supplied with the appliance.

ATTENTION : CES INSTRUCTIONS DOIVENT DEMUERER AVEC LE PROPRIÉTERE D'UNE MAISON.

AVERTISSEMENT: Assurez-vous de bien suivre les instructions données dans cette notice pour réduire au minimum le risque d'incendie ou d'explosion ou pour éviter tout dommage matériel, toute blessure ou la mort.

- Ne pas entreposer ni utiliser d'essence ni d'autres vapeurs ou liquides inflammables dans le voisinage de cet appareil ou de tout autre appareil.
- **QUE FAIRE SI VOUS SENTEZ UNE ODEUR DE GAZ:**
 - Ne pas tenter d'allumer l'appareil.
 - Ne touchez à aucun interrupteur. Ne pas vous servir des téléphones se trouvant dans le bâtiment où vous trouvez.
 - Appelez immédiatement votre fournisseur de gaz depuis un voisin. Suivez les instructions du fournisseur.
 - Si vous ne pouvez rejoindre le fournisseur de gaz, appelez le service des incendies.
- L'installation et l'entretien doivent être assurés par un installateur ou un service d'entretien qualifié ou par le fournisseur de gaz.

INSTALLER: Leave this manual with the appliance.

CONSUMER: Retain this manual for future reference.



! WARNING



**HOT GLASS WILL CAUSE BURNS.
DO NOT TOUCH GLASS UNTIL COOLED.
NEVER ALLOW CHILDREN TO TOUCH GLASS.**

THIS PRODUCT MUST BE INSTALLED BY A LICENSED MASTER OR JOURNEYMAN PLUMBER OR GAS-FITTER WHEN INSTALLED IN THE COMMONWEALTH OF MASSACHUSETTS.

THIS OWNER'S MANUAL PROVIDES INFORMATION TO ENSURE SAFE INSTALLATION AND EFFICIENT, DEPENDABLE OPERATION OF YOUR FIREPLACE INSERT. PLEASE READ THESE INSTRUCTIONS IN THEIR ENTIRETY AND MAKE THEM AVAILABLE TO ANYONE USING OR SERVICING THIS GAS INSERT.

DO NOT ATTEMPT TO ALTER OR MODIFY THE CONSTRUCTION OF THIS APPLIANCE OR ITS COMPONENTS. ANY MODIFICATION OR ALTERATION WILL VOID THE WARRANTY, CERTIFICATION AND LISTING OF THIS APPLIANCE.

NATIONAL FIREPLACE INSTITUTE



CERTIFIED
www.nficertified.org

We recommend that our gas products be installed and serviced by professionals who are certified in the U.S. by the National Fireplace Institute® (NFI) as NFI Gas Specialists.

Your fireplace insert has a unique serial number stamped on the rating plate which is located in the valve compartment. Please record the serial number in the space below. You may also wish to attach your purchase receipt to this page for future reference.

MODEL NAME: _____

SERIAL NUMBER: _____

DATE OF PURCHASE: _____

AUTHORIZED DEALER: _____

ADDRESS _____

PHONE: _____

INSTALLER: _____

FUEL TYPE: _____

FUEL CONVERSION: NO _____ YES _____

NOTES: _____

Canadä


ENERGUIDE

Gas Fireplace Energy Efficiency Rating

67.8%

Based on CSA P.4.1-02

Model No. Jøtul GF 100 DV II Nordic QT



Canadä

ENERGUIDE

Gas Fireplace Energy Efficiency Rating

67.8%

Based on CSA P.4.1-02

Model No. Jøtul GF 200 DVII Lillehammer




Table of Contents

Specifications, Jøtul GF 100 DV II.....	4
Specifications, Jøtul GF 200 DV II	5
General Information	6
Service Tools	6
Safety Information	7
Installation Requirements	
Location	7
Hearth Protection	7
Clearances	8
Mantel & Trim	8
Alcove	8
Vent Requirements	
Adding Restriction.....	9
Vertical Termination	10
Horizontal Termination.....	12
Vent Terminal Clearances	14
Mobile Home Installation	15
Fuel Conversion.....	15
Gas Connection.....	17
Gas Pressure	18
High Altitude Adjustment	18
Air Shutter Adjustment	19
Wall Thermostat.....	20
Remote Control.....	20
Log Set Installation	20
System Check	21
Operation	22
Maintenance	22
Glass Replacement.....	22
Optional Blower	24
Illustrated Parts Breakdown	26, 27
Replacement Parts List.....	28, 29
Addendum - Brick Panel Kit.....	30
Warranty Statement	31
Lighting Instructions	35

Jøtul GF 100 DV II Nordic QT and Jøtul GF 200 DV II Lillehammer Direct Vent Gas Heaters

Manufactured and Distributed by:
Jøtul North America
Gorham, Maine
U.S.A.

N.Y.C. Dept. of Buildings
MEA No. 369-04-E

Test Standards

This appliance complies with U.S. and Canadian National Safety standards and is tested and listed by Intertek Testing Services of Middleton, Wisconsin to:

ANSI Z21.88-2005,
ANSI Z21.88a / CSA 2.33a - 2007,
CAN/CGA 2.17-M91,
and CSA P.4.-01.2

DO NOT ATTEMPT TO ALTER OR MODIFY THE CONSTRUCTION OF THE APPLIANCE OR ITS COMPONENTS. ANY MODIFICATION OR ALTERATION WILL VOID THE WARRANTY, CERTIFICATION AND LISTING OF THIS APPLIANCE.

Suggested Tools for Installation and Service

- External regulator (for Propane only)
- Piping which complies with local code
- Manual shut-off valve (T-Handle in Massachusetts)
- Sediment trap - if required by code
- Tee joint
- Pipe wrench
- Pipe sealant
- 10 mm open end wrench
- 1/2", 7/16" open end wrench or deep socket
- Phillips head screwdriver
- Flat head screwdriver
- 1/4" nut driver
- 4 mm allen wrench
- Gloves
- Safety glasses
- Torx T20 screwdriver
- Leak test solution
- Reciprocating Saw
- Power Drill

Jøtul GF 100 DV II Nordic QT Specifications

Input Rates

Natural Gas

17,000 BTU/hr. maximum input
9,900 BTU/hr. minimum input

Propane

16,000 BTU/hr. maximum input
8,700 BTU/hr. minimum input

Inlet Pressure:	MIN	MAX
Natural Gas:	5.0 WC (1.24 kPa)	7.0 WC (1.74 kPa)
Propane:	12.0 WC (2.98 kPa)	14.6 WC (3.63 kPa)

Manifold Pressure:	MIN	MAX
Natural Gas:	1.2 WC (0.29 kPa)	3.8 WC (0.94 kPa)
Propane:	2.9 WC (0.72 kPa)	11.0 WC (2.74 kPa)

Piezo Ignitor / Standing Pilot
Weight: 150 lbs.

The Jøtul GF 100 DV II Nordic QT is a Direct Vent gas heater designed as a sealed combustion, air circulating gas appliance for residential applications. This appliance is approved for installation using 6 5/8" X 4" direct vent pipe and components from the following manufacturers:

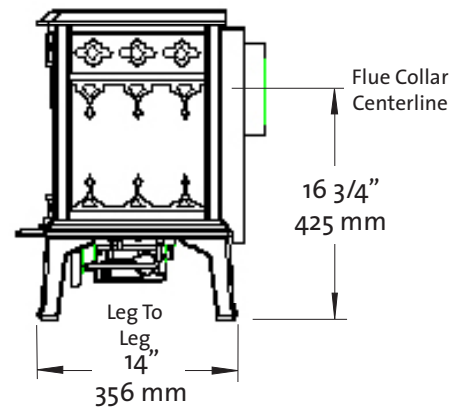
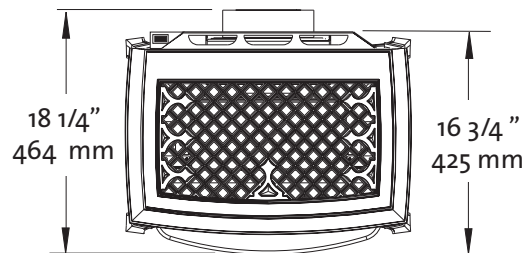
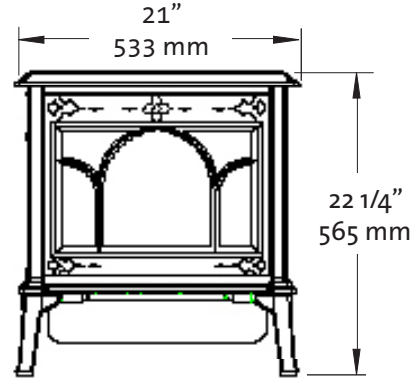
- Simpson Dura-Vent GS
- Security Vent, Ltd.
- Amerivent Inc.
- Selkirk Metalbestos
- Metal-Fab, Inc.
- ICC, Inc. - ExcelDirect Vent

The Jøtul GF 100 DV II Nordic QT gas stove is designed to burn **NATURAL GAS** or **PROPANE** only. It is shipped from the factory equipped to burn Natural Gas. If use with Propane is desired, the stove must first be converted for use with that gas. Use the LP Fuel Conversion Kit 155628 included with this stove. See page 14 for instructions.

Jøtul GF 100 DV II Miscellaneous Kit

Contents

- Fuel Conversion Kit - LP155628
- Rear Air Intake Restrictor Plate, ...Black -22111092
or Jøtul Iron - 22111085
- Side Air Intake Restrictor Plates, (2) 22099192
or Jøtul Iron - 22099185
- * Decorative Wall Shield, Black 22092692
or Jøtul Iron 22092692



Jøtul GF 100 DV II Accessories

- Blower Kit155631
- Antique Brick Kit155815
- Fuel Conversion Kit - NG 155629
- Wall Thermostat 750003
- Remote Control129706
- Mobile Home Floor Bracket Kit154342
- Universal Leg Leveler Kit 156096

Jøtul GF 200 DV II Lillehammer Specifications

Input Rates

Natural Gas

20,000 BTU/hr. maximum input
11,400 BTU/hr. minimum input

Propane

18,000 BTU/hr. maximum input
8,450 BTU/hr. minimum input

Inlet Pressure:	MIN	MAX
Natural Gas:	5.0 WC (1.24 kPa)	7.0 WC (1.74 kPa)
Propane:	12.0 WC (2.98 kPa)	14.6 WC (3.63 kPa)

Manifold Pressure:	MIN	MAX
Natural Gas:	1.2 WC (0.29 kPa)	3.8 WC (0.94 kPa)
Propane:	2.9 WC (0.72 kPa)	11.0 WC (2.74 kPa)

Piezo Ignitor / Standing Pilot
Weight: 180 lbs.

The Jøtul GF 200 DV II Nordic QT is a Direct Vent gas heater designed as a sealed combustion, air circulating gas appliance for residential applications. This appliance is approved for installation using 6 5/8" X 4" direct vent pipe and components from the following manufacturers:

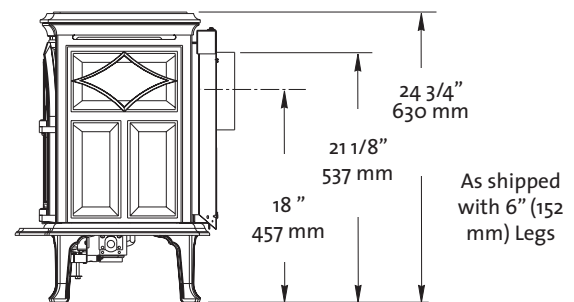
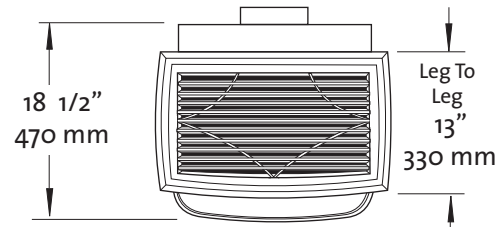
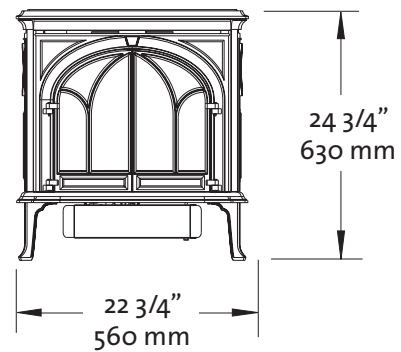
Simpson Dura-Vent GS
Security Vent, Ltd.
Amerivent Inc.
Selkirk Metalbestos
Metal-Fab, Inc.
ICC, Inc. - ExcelDirect Vent

The Jøtul GF 200 DV II Lillehammer gas stove is designed to burn NATURAL GAS or PROPANE only. **It is shipped from the factory equipped to burn Natural Gas. If use with Propane is desired, the stove must first be converted for use with that gas.** Use the LP Fuel Conversion Kit 155626 included with this stove. See page 14 for instructions.

Jøtul GF 200 DV II Miscellaneous Kit

Contents

- Fuel Conversion Kit - LP 155626
- Rear Air Intake Restrictor Plate, ...Black -22111092
or Jøtul Iron - 22111085
- Side Air Intake Restrictor Plates, (2) 22099192
or Jøtul Iron - 22099185
- * Decorative Wall Shield, Black 22092692
or Jøtul Iron 22092692



Height Dimensions with Optional Legs:
Plinth Kit - subtract 1" (25 mm)
Long Legs - add 2 1/4" (57 mm)

Jøtul GF 200 DV II Accessories

- Fuel Conversion Kit - NG 155627
- High Altitude Adjustment Kit - NG155808
- High Altitude Adjustment Kit - LP 155809
- Blower Kit155631
- Antique Brick Kit155815
- Wall Thermostat750003
- Remote Control129706
- Universal Leg Leveler Kit156096
- Mobile Home Floor Bracket Kit GF 200 DV II (6") / 154923
..... for Long Legs (8") / 750304
.....for Plinth Kit / 154342
- Long Leg Kits Matte Black / 154929
..... Blue Black / 154930
..... Forest Green / 154931
..... Ivory / 154932
..... Jøtul Iron / 155366
- Plinth Kits Matte Black / 350081
..... Blue Black / 350082
..... Ivory / 350083
..... Forest Green / 350084
..... Jøtul Iron / 350085

General Information

- THIS HEATER MUST BE INSTALLED AND MAINTAINED BY A QUALIFIED SERVICE AGENCY.
- The installation and repair of this appliance must be done by a qualified service person. Failure to properly install and maintain this heater could result in an unsafe or hazardous installation, which may result in a fire, explosion, property damage, personal injury or loss of life.
- This appliance should be inspected before use and at least annually. More frequent cleaning may be required due to excessive lint from carpeting, bedding material, etc. It is imperative that control compartments, burners, and circulating air passageways of the appliance be kept clean.
- THIS APPLIANCE MUST NOT BE CONNECTED TO A CHIMNEY OR FLUE SERVING ANY OTHER APPLIANCE.
- The installation must conform to local codes. Your local Jøtul dealer can assist you in determining what is required in your area for a safe and legal installation. Some areas require a permit to install a gas burning appliance. Always consult your local building inspector, or authority having jurisdiction, to determine what regulations apply in your area.
- NOTE: Your local officials have final authority in determining if a proposed installation is acceptable. Any requirement that is requested by the local authority having jurisdiction, that is not specifically addressed in THIS manual, defaults to local code. In the absence of local codes, the installation requirements must comply with the current National codes. In the U.S., these requirements are established in the National Fuel Code, ANSI Z223.1.(NFPA 54). In Canada, the codes have been established in CAN/CGA B149 Fuel Installation Code.
- Installer l'appareil selon les codes ou reglements locaux, ou, en l'absence de tels reglements, selon les Codes d'installation CAN/CGA-B149.
- DO NOT OPERATE THIS STOVE IF ANY PART HAS BEEN UNDER WATER. Call a qualified service technician to inspect the heater and to replace any part of the control system and any gas control which may have been under water.
- Ne pas se servir de cet appareil s'il a été plongé dans l'eau, complètement ou en partie. Appeler un technicien qualifié pour inspecter l'appareil et remplacer toute partie du système de contrôle et toute commande qui ont été plongés dans l'eau.

Stove Setup

Inspect the stove for damage and contact your dealer immediately if any is found. Check contents of the Miscellaneous Kit against the lists on p. 4-5. Complete the installation steps in the following order:

1. **Remove the Top Plate.**
Simply lift it from the stove body.
2. **GF 100 DV II ONLY : Remove the Front Plate.**
Slide it straight up to disengage it from the Side Plates.
3. **GF 200 DV II ONLY: Open the Front Doors.**
Cut the two cable ties that secure the doors closed.
4. **Remove the Glass Panel.**
Open the two trunk latches at the top of the firebox to disengage the Glass Panel Frame. Lift the frame up and out of its channel. Set it aside, out of the way, on a soft surface.
5. **Install Optional Blower** if appropriate.
6. **Install Vent System / Air Restriction** as appropriate.
7. **Install Fuel Conversion / High Altitude Adjustment** if necessary.
8. **Plumb gas line** to the stove. Leak Test.
9. **Install optional Brick Panels.**
10. **Install Log Set and Ember Stones.**
11. **Replace Glass Panel. Test Burner** and adjust air shutter if necessary.
12. **Replace Front Panel and Top Plate.**
13. **Install optional Remote Control or Thermostat.**

Safety Information

- **Due to the high operating temperatures this appliance should be located out of traffic and away from furniture, draperies, etc. Maintain proper clearance to combustible mantels and fireplace trim.**
- **Children and adults should be alerted to the hazards of high surface temperatures and should stay away to avoid burns or clothing ignition.**
- **Young children should be supervised while they are in the same room as the appliance. Toddlers, young children and others may be susceptible to accidental contact burns. A physical barrier, such as a child guard, is recommended to be used if there are at-risk individuals in the house. To restrict access to a fireplace or stove, install an adjustable safety gate to keep toddlers, young**

children and other at-risk individuals out of the room and away from hot surfaces.

- Any safety screen or guard removed for servicing an appliance must be replaced prior to operating the appliance.
- Clothing or other flammable materials should not be placed on or near the fireplace.
- **Surveiller les enfants. Garder les vêtements, les meubles, l'essence ou autres liquides à vapeur inflammables loin de l'appareil.**
- Never allow anyone to use the fireplace if they are unfamiliar with its operation.
- NEVER store or use gasoline or any other flammable vapors or liquids in the vicinity of the fireplace.
- Never burn any solid materials (wood, cardboard, paper, coal, etc.) in this gas fireplace. Use with natural gas or propane fuel ONLY.
- Any safety screen, glass or guard removed for servicing the appliance must be replaced prior to operating the appliance.
- Do not slam or strike the glass panel.
- This appliance is NOT for use with aftermarket glass doors.
Cet appareil ne sert pas avec des portes en verre de marché des accessoires.
- Wear gloves and safety glasses while installing or performing maintenance procedures on this appliance.

Glass Front

Do not operate the this appliance if the glass panel has been removed, cracked, or broken. Replacement of the glass should be done by a licensed or qualified service person. Only remove glass for routine service. Always handle glass carefully.

Location

In selecting a location for the stove, consider the following points:

- 1) Heat distribution
- 2) Vent termination requirements
- 3) Gas supply line routing
- 4) Traffic areas, furniture, draperies, etc.

The stove may be located on or near conventional construction materials, however, proper clearance to combustibles must be maintained in order to provide adequate air circulation around the appliance. Also, it is important to provide adequate access around the stove for servicing and proper operation.

The clearance and hearth specifications listed in this manual are the minimum requirements for combustible material. A combustible material is anything that can burn (i.e. sheet rock, wall paper, wood, fabrics etc.). These surfaces are not limited to those that are visible and also include materials that may be located behind non-combustibles.

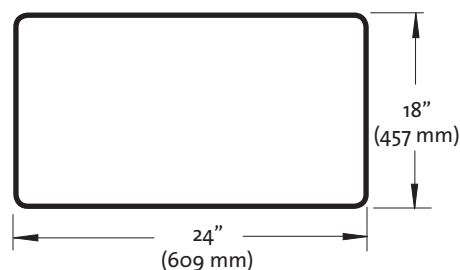
If you are not sure of the combustible nature of a material, consult your local fire officials. Remember, "Fire Resistant" materials are considered combustible: they are difficult to ignite, but will burn. Also, "fire-rated" sheet rock is considered combustible.

Hearth Requirements

This stove should not be installed directly on carpeting, vinyl, linoleum, or Pergo®.

If the appliance will be installed on any combustible material OTHER THAN WOOD, a floor pad must be installed that is either metal, wood, tile, stone, or a listed hearth pad. This floor protection must extend the full width and depth of the appliance. It is not necessary to remove carpeting, vinyl or linoleum from underneath the floor protection. See fig. 1.

Figure 1. Suggested hearth dimensions shown are slightly larger than the minimum requirement.



Stove and Vent Clearance Requirements

Minimum Clearances from the Stove to Combustibles:
Measured from the stove top plate. See figs. 2-4.

For Both Stoves

- Rear:** 0" (0 mm)
- Ceiling:** 42" (1066 mm)
- Corner:** 2" (50 mm)
- Sides:** 3" (76 mm)

Minimum Clearances between Vent Pipe and Combustible Materials:

Horizontal Run:

- Off the top of the pipe 2" (50 mm)
- Off the sides and bottom 1" (25 mm)

Vertical Run:

- All sides 1" (25 mm)

Alcove Installation

- Maximum Alcove Depth: 24" (610 mm)
- Minimum Alcove Width: 34" (864 mm)
- Minimum Ceiling Height from stove top: 42" (1066 mm)

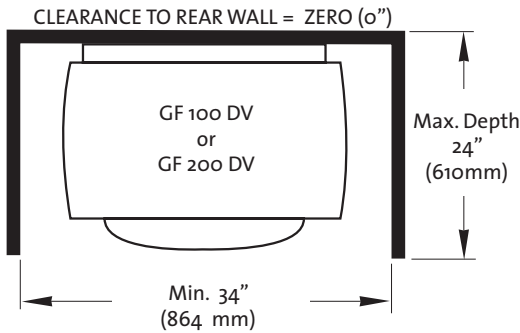
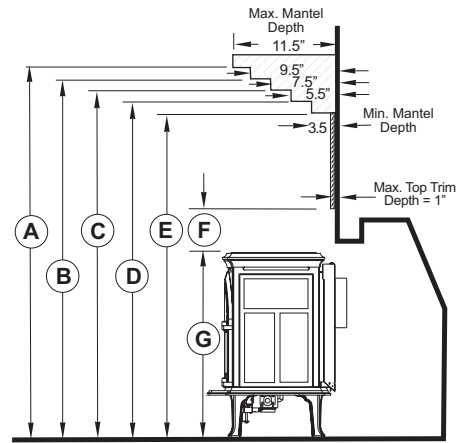
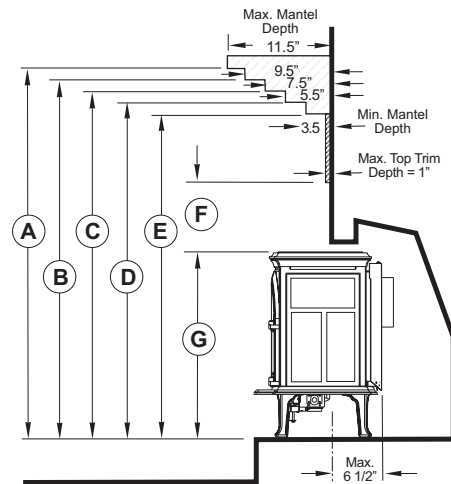


Figure 2. Alcove Installation Clearances.



	Jøtul GF 100 DV II Nordic QT	Jøtul GF 200 DV II Lillehammer
A	50 in. (1270 mm)	52 1/2 in. (1333 mm)
B	48 1/2 in. (1232 mm)	51 in. (1295 mm)
C	47 in. (1194 mm)	49 1/2 in. (1257 mm)
D	45 1/2 in. (1156 mm)	48 in. (1219 mm)
E	44 in. (1118 mm)	46 1/2 in. (1181 mm)
F	4 1/4 in. (108 mm)	4 1/4 in. (108 mm)
G	22 1/4 in. (565 mm)	24 3/4 in. (629 mm) Plinth Kit: 23 3/4 in. (603 mm) Long Legs: 27 in. (686 mm)

Figure 3. Mantel Clearances - stove flush with fireplace face.



	Jøtul GF 100 DV II Nordic QT	Jøtul GF 200 DV II Lillehammer
A	49 in. (1245 mm)	51 1/2 in. (1308 mm)
B	47 1/2 in. (1206 mm)	50 in. (1270 mm)
C	46 in. (1168 mm)	48 1/2 in. (1232 mm)
D	44 1/2 in. (1130 mm)	47 in. (1194 mm)
E	43 in. (1092 mm)	45 1/2 in. (1156 mm)
F	17 3/4 in. (451 mm)	17 3/4 in. (451 mm)
G	22 1/4 in. (565 mm)	24 3/4 in. (629 mm) Plinth Kit: 23 3/4 in. (603 mm) Long Legs: 27 in. (686 mm)

Figure 4. Mantel Clearances - stove set back into fireplace, 6 1/2" maximum.

Venting Requirements

Both stoves may be installed with a vertical or horizontal termination and must conform to the configuration requirements described in this section. This appliance is approved for use with vent systems from the following manufacturers:

- Simpson Dura-Vent GS
- American Metal Products (Amerivent)
- Security Chimneys International, Ltd. (Secure Vent)
- Selkirk Metalbestos (Direct Temp)
- Metal-Fab, Inc. (Direct Vent)
- Industrial Chimney Corp. (ExcelDirect Vent)

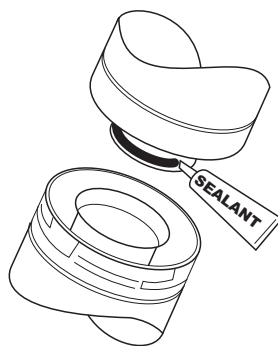
Use parts of one manufacturer only - DO NOT MIX VENT COMPONENTS FROM DIFFERENT MANUFACTURERS IN THE SAME SYSTEM.

Installation of any components not manufactured or approved by Jøtul or failure to meet all clearance requirements will void all warranties and could result in property damage, bodily injury, or serious fire.

The approved vent configurations described in this manual are derived from extensive testing under controlled laboratory conditions. Gas appliance performance can be negatively affected by variables present in the installation environment, i.e: atmospheric pressure, strong prevailing winds, adjacent structures and trees, snow accumulation, etc. These conditions should be taken into consideration by the installer and stove owner when planning the vent system design.

IMPORTANT

- **JOINT SEALING REQUIREMENT:** APPLY A 1/8" BEAD OF HIGH-TEMPERATURE SEALANT (SUCH AS MIL-PAC®) TO THE MALE SECTION OF THE INNER VENT PIPE. THE CEMENT SHOULD FORM A SEAL BETWEEN THE INNER AND OUTER PIPES.
- NEVER MODIFY ANY VENTING COMPONENT, OR USE ANY DAMAGED VENTING PRODUCT.
- THE GAS APPLIANCE AND VENT SYSTEM MUST BE VENTED DIRECTLY TO THE OUTSIDE OF THE BUILDING AND NEVER ATTACHED TO A CHIMNEY SERVING A SOLID FUEL OR GAS BURNING APPLIANCE. EACH DIRECT VENT GAS APPLIANCE MUST HAVE ITS OWN SEPARATE VENT SYSTEM. COMMON VENT SYSTEMS ARE PROHIBITED.
- IF VENTING SYSTEM IS DISASSEMBLED FOR ANY REASON, REINSTALL PER THE INSTRUCTIONS PROVIDED FOR THE INITIAL INSTALLATION.



Intake Air Restriction

You may need to restrict air intake to the burner, depending on the stove vent configuration. Two Side Restrictor Plates and one Rear Restrictor Plate are included in the Miscellaneous Kit for this purpose. Use the following guidelines to determine the proper restriction, if any, for your installation.

Horizontal Termination

No air restriction should be necessary. Do not install the restrictor plates.

Vertical Termination

1. For Any Vertically Terminated Stove - Fig. 5.

Remove the Recirculator Plate from the back of the Burner Skirt. It is secured by a single sheet metal screw.

2. Optional Restriction - Fig. 6.

A) Termination less than 8 ft. high:

Install Rear Restrictor Plate. Engage the plate with the two pins on the back of the Burner Skirt.

B) Termination 8 - 15 ft. high:

Install the Side Restrictor Plates, in addition to the Rear Restrictor Plate. The plates are interchangeable. Engage each plate with the pin on either side of the Burner Skirt.

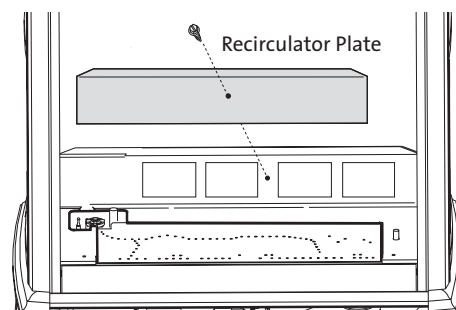


Figure 5. Remove Recirculator Plate.

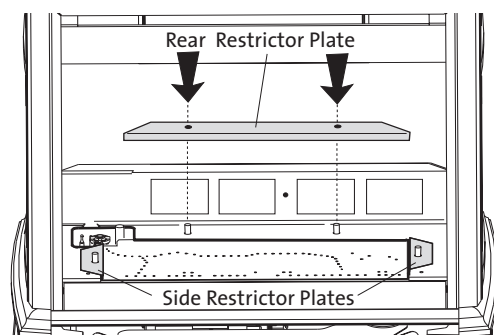


Figure 6. Installing the Air Intake Restrictor Plates.

Vertical Vent Termination

The Jøtul GF 100 DV II and Jøtul GF 200 DV II are approved for vertical venting through a ceiling or to a roof termination following these guidelines:

- The termination should fall within the shaded area of the grid depicted in fig.7 below. Maximum Vertical must not exceed 15 ft. (4.57 m) measured from the top of the stove.
- In no case shall any discharge opening on the termination cap be less than 18" (457 mm) horizontally from the roof surface. See fig. 8.
- In addition the 90° elbow attached to the stove, a vertical vent run may utilize one 90° or two 45° elbows. Whenever possible use 45° elbows instead of a 90° elbow as they are less restrictive to exhaust gas and intake air flow.
- Steep roofs, nearby trees, and predominantly windy conditions can contribute to poor draft and/or promote down-draft occurrences. Increasing the height of the vent may alleviate these conditions.
- Use approved vent manufacturer's Wall Straps to support an offset pipe run at three feet intervals to avoid excessive stress on the offsets.
- A firestop is required at every floor. Firestops are available from all vent manufacturers. The opening should be framed to 10" X 10" inside dimension.
- Always maintain a minimum 1" clearance from all sides of the vertical vent system.
- Remove the Recirculator Plate from the back of the Burner Skirt as shown in fig. 5. Determine which Air Intake Restrictor plates should be used by following the guidelines on page 9.

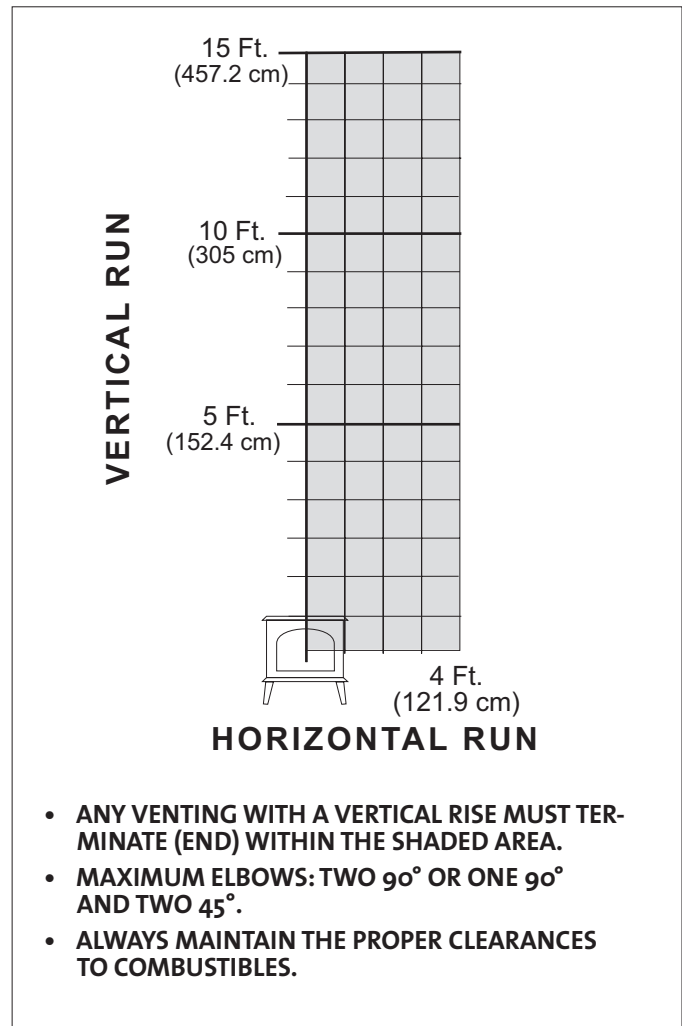


Figure 7. Vent Termination Diagram - any termination must fall within the shaded area dimensions.

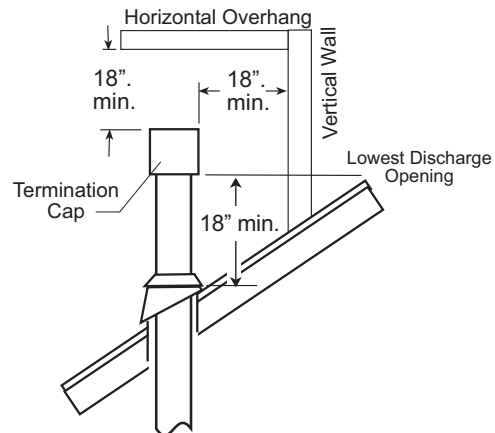


Figure 8. Minimum vertical termination height and roof clearance.

Venting Through a Fireplace

Co-linear Vent Installation

This appliance may be vented through a masonry or Class A prefabricated chimney using a Co-linear Flexible Vent system approved for use with a solid-fuel burning fireplace. When installed in the manner described below, this system can improve the performance of the appliance in cold climate situations, as well as simplify the vent installation. See fig. 9.

These installation requirements must be followed:

1. Prior to the installation the chimney flue must be thoroughly cleaned and inspected by a qualified chimney service person.
2. In a masonry chimney, a fireclay liner must be present the entire length of the chimney.
3. Prefabricated chimneys must be UL 103 or ULC S-629 listed and have a minimum INSIDE diameter of 6 inches, (150 mm).
4. No appliance can be installed into a chimney flue serving any other appliance of any kind.
5. **THE AIR INTAKE FLEX PIPE MUST EXTEND BEYOND THE DAMPER AREA OF THE FIREPLACE.** If the intake flex duct does not extend the full length of the chimney and connect to both the unit and the termination cap, A METAL BLOCK OFF PLATE MUST BE CONSTRUCTED AND INSTALLED ABOVE THE UNIT PRIOR TO THE END OF THE INTAKE FLEX AND MUST COMPLETELY SEAL THE CHIMNEY FLUE FROM THE ROOM.

Consult with the local code authority having jurisdiction before proceeding with this type of installation.

Refer to the vent manufacturer's instructions for specific installation requirements.

WARNING: FAILURE TO POSITION THE PARTS AND STOVE IN ACCORDANCE WITH THESE DIAGRAMS OR FAILURE TO USE ONLY PARTS SPECIFICALLY APPROVED FOR USE WITH THIS APPLIANCE, MAY RESULT IN PROPERTY DAMAGE OR PERSONAL INJURY. BE SURE TO MAINTAIN THE PROPER CLEARANCES TO COMBUSTIBLES AS DEFINED IN THIS MANUAL AND IN THE INSTRUCTIONS PROVIDED WITH EACH VENT COMPONENT.

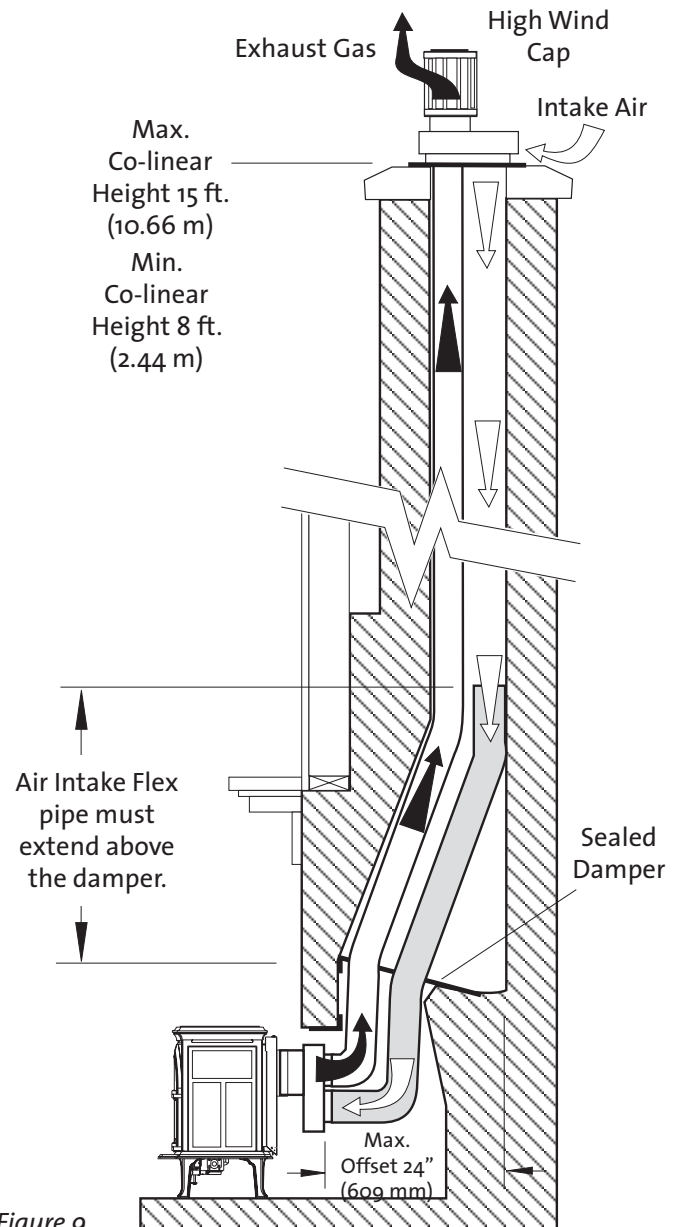


Figure 9. Co-linear Adaptor installed through a masonry chimney.

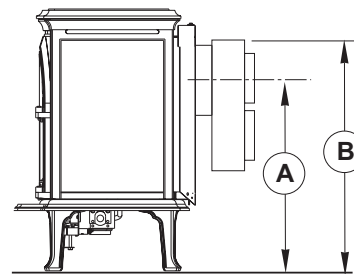


Figure 10. Simpson Dura-Vent #923GCL Co-linear Adaptor.

GF 100 DV II: A: 16 3/4" B: 20 3/4"

GF 200 DV II: A: 18" B: 22"
Add 2 1/4" with Long Legs.
Subtract 1" with Plinth

Horizontal Vent Termination

- **Wall Cut-out Opening:** A minimum 10" X 10" (250 mm x 250 mm) square hole is required for proper pipe clearances through a combustible wall. Use one of the approved vent manufacturers' WALL THIMBLE for the wall penetration.
DO NOT FILL AIR SPACE WITH ANY TYPE OF INSULATION.
- The minimum horizontal run made directly off the rear of the stove into a standard horizontal cap shall be no less than a 6" (152 mm) vent section. See fig. 11.
- The maximum horizontal run made directly off the rear of the stove into a standard horizontal termination must not exceed 4 ft. (1219 mm) See fig. 11.
- **Corner Installation:** Max. Horizontal Run is 2 ft. (610 mm). See Fig. 12.
- A horizontal termination must fall within the shaded area illustrated in fig. 7, Vent Termination Diagram.
- The horizontal termination cap must maintain a 3" clearance to any overhead combustible projections 2 1/2" or less. It must also maintain 12" clearance from projections exceeding 2 1/2". See fig. 14.
- Any horizontal run of vent must be level or have a 1/4" rise for every foot of run toward the termination cap. NEVER ALLOW THE VENTING TO RUN DOWNWARD FROM STOVE TO TERMINATION; DOWNWARD VENT RUNS TRAP HEAT AND CAUSE HIGH TEMPERATURES TO DEVELOP WITHIN THE VENT THAT COULD START A FIRE.
- Install a Vinyl Siding Standoff between the vent termination and an exterior wall covered by vinyl siding material to prevent potential heat damage to the siding.
- Do not recess the termination cap into a wall or siding.

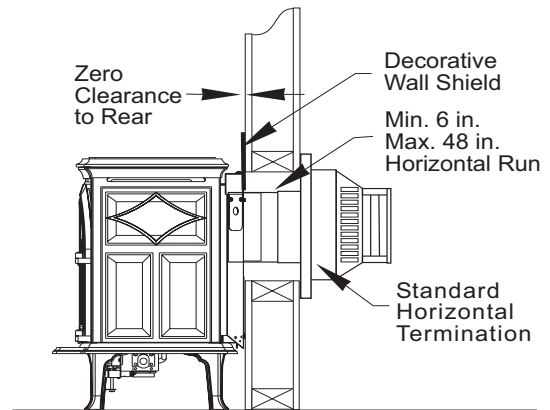


Figure 11. Min. / Max. Horizontal Run

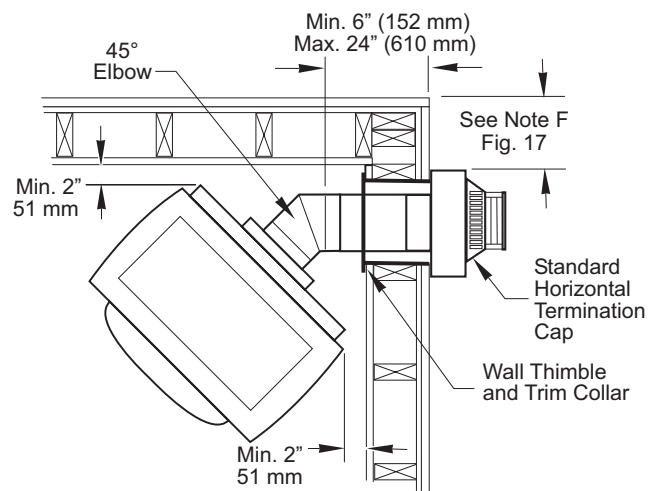


Figure 12. Corner Installation, Horizontal Termination directly off rear. Maximum Horizontal run is 2 ft. (610 mm).

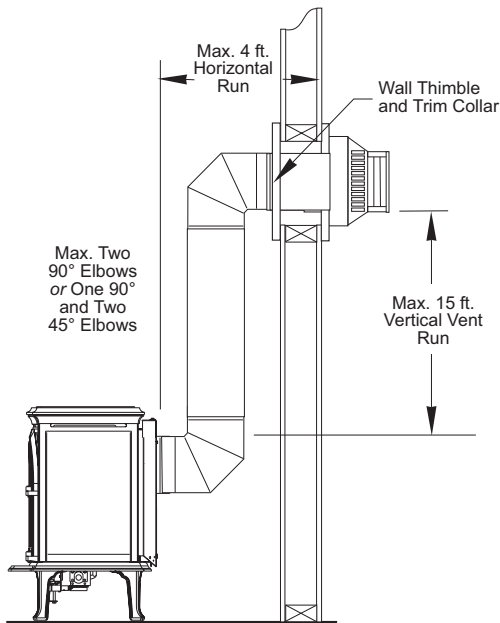


Figure 13. Horizontal Termination with Vertical

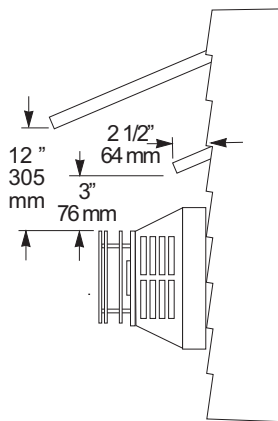


Figure 14. Termination Clearance to overhangs

Wall Shield Installation

The decorative Wall Shield, included in the Miscellaneous Hardware bag, is used to obscure the vent hole in the wall in installations vented directly off the rear of the stove.

Follow this procedure:

1. Remove the top two 1/4" hex head screws from the rear shroud of the stove.
2. Align the holes in the wall shield with the holes in the rear shroud.
3. Secure the wall shield to the stove with the two 1/4" hex head screws. See fig. 16.

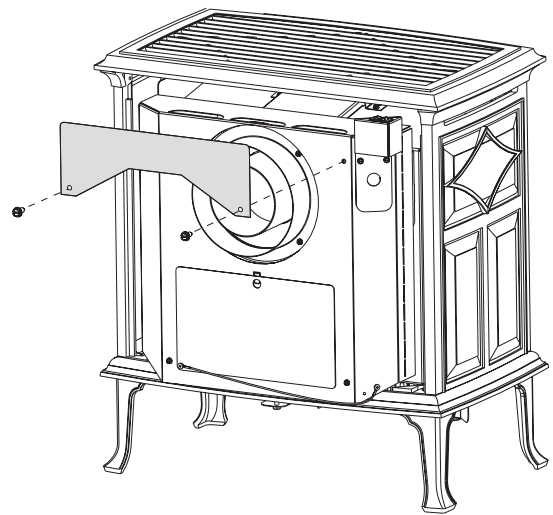


Figure 15.
Wall Shield installation.

Mobile Home Installation

These appliances can be installed for use in a mobile home in the U.S. and Canada provided:

1. The stove is secured to the floor of the mobile home. Use the Jøtul Floor Bracket Kit appropriate for your stove's leg; see the Accessories listing on p. 29.
2. Provision must be made to secure an electrical ground between the stove and the mobile home chassis.
3. The stove is installed in accordance with Title 24 CFR, Part 3280- Manufactured Home Construction and Safety Standard, in the U.S. In Canada, comply with CSA Z240.4, Gas Equipped Recreational Vehicles and Mobile Housing.
4. Always contact your local officials about installation restrictions and requirements in your area.

THIS APPLIANCE MAY BE INSTALLED AS AN OEM INSTALLATION IN A MANUFACTURED (MOBILE) HOME AND MUST BE INSTALLED IN ACCORDANCE WITH THE MANUFACTURER'S INSTRUCTIONS AND THE MANUFACTURED HOME CONSTRUCTION AND SAFETY STANDARD, TITLE 24 CFR, PART 3280. THIS APPLIANCE IS ONLY FOR USE WITH THE TYPE OF GAS THAT IS INDICATED ON THE STOVE'S RATING PLATE. A GAS CONVERSION KIT IS PROVIDED WITH THE NORDIC QT DIRECT VENT GAS STOVE.

THIS APPLIANCE MAY BE INSTALLED IN AN AFTERMARKET PERMANENTLY LOCATED, MANUFACTURED (MOBILE) HOME, WHERE NOT PROHIBITED BY LOCAL CODES.

CET APPAREIL PEUT ETRE INSTALLE DANS UN MAISON PREFABRIQUEE (MOBILE) DEJA INSTALLEE A DEMEURE SI LES REGLEMENTS LOCAUX LE PERMETTENT. CET APPAREIL DOIT ETRE UTILISE UNIQUEMENT AVEC LES TYPES DE GAS INDIQUES SUR LA PLAQUE SIGNALETIQUE. NE PAS L'UTILISER AVEC D'AUTRES GAS SAUF SI UN KIT DE CONVERSION CERTIFIE EST INSTALLE.

Fuel Conversion

Your gas stove is shipped from the factory equipped to burn NATURAL GAS only. If PROPANE gas is to be used as fuel, the appliance must first be converted for use with propane.

Jøtul GF100 DV II Nordic QT: Use Propane Conversion Kit 155628, supplied with the appliance.

Jøtul GF200 DV II Lillehammer: Use Propane Conversion Kit 155626, supplied with the appliance.

WARNING:

THE CONVERSION KIT IS TO BE INSTALLED BY AN AUTHORIZED JØTUL SERVICE TECHNICIAN IN ACCORDANCE WITH THE MANUFACTURER'S INSTRUCTION AND ALL CODES AND REQUIREMENTS OF THE AUTHORITY HAVING JURISDICTION. FAILURE TO FOLLOW THESE INSTRUCTIONS COULD RESULT IN SERIOUS INJURY OR PROPERTY DAMAGE. THE QUALIFIED AGENCY PERFORMING THIS WORK ASSUMES RESPONSIBILITY FOR THIS CONVERSION.

IN CANADA:

THE CONVERSION SHALL BE CARRIED OUT IN ACCORDANCE WITH THE REQUIREMENTS OF THE PROVINCIAL AUTHORITIES HAVING JURISDICTION AND IN ACCORDANCE WITH THE REQUIREMENTS OF THE CAN1-B149.1 AND .2 INSTALLATION CODE.

Tools required:

- 1/2" open ended wrench or deep-well socket, Torx T20 or slotted screwdriver, 4 mm allen wrench.

Conversion Kit Contents:

- 1, regulator tower labeled for propane
- 3, regulator tower screws
- 1, burner orifice (GF 100: #48 for NG, #56 for LP)
(GF 200: #46 for NG, 1.20 mm for LP)
- 1, pilot orifice (#51 for NG, #30 for LP)
- Label A - to be completed and applied to the back of the stove
- Label B - apply to the stove's Rating Plate
- Small valve label - apply to valve body

Conversion instructions are also shipped in the stove with the conversion kit.

Gas Conversion Procedure

1. Turn off gas supply to stove.
2. Remove the stove Top Plate (3).
3. GF 100 DV II Only: Remove the front plate from the stove. Pull the casting straight up and out away from the side panels. Pull the panel upward with one hand while the other pushes against the top of the firebox.
4. Release the trunk latches at the top of the firebox. Carefully lift the glass frame up and out.
5. Remove the Log Set.
6. Remove the burner skirt. Using one hand, lift from under the rear lip and let the skirt rotate vertically. Then rotate counterclockwise to clear the firebox opening as shown in fig. 18.
7. Remove the wingnut, fender washer, and gasket from the air shutter stem. See fig. 39, items 17, 16, 15. These are located to the rear of the control valve, under the firebox.
8. Remove the burner assembly. Simply lift it off of the support brackets together with the air shutter.
9. Change the Main Burner Orifice. Fig. 19. Using a 1/2" (13 mm) wrench or deep-well socket, remove the burner orifice and replace with the appropriate orifice supplied in the kit.

GF 100 DV II - #48 for NG	#56 for LP
GF 200 DV II - #46 for NG	1.20 mm for LP
10. Change the Pilot Orifice: From within the firebox, remove the Pilot Head by pulling it straight up from the pilot base. See fig. 20.

Using the 4 mm allen wrench that is included with the conversion kit, unscrew the pilot orifice (counterclockwise). Replace with the appropriate orifice:

- #51 for natural gas
- #30 for propane gas

11. Tighten orifice into the base of the pilot assembly. To prevent bypass leaks, be sure the orifice is secured tightly and flush with the base. Replace pilot head by pushing it down onto the pilot base. See fig. 20.
12. Remove the Regulator Tower, Gasket, white plastic disk, and Spring. Discard these parts.
13. Install the new regulator tower using the new Torx screws included in the kit. Be sure that the gasket is properly positioned and tighten screws securely.
14. Install the identification labels to the stove so that they can be seen by any person that may be servicing the stove.
 - Label A: apply to back of stove.
 - Label B: apply to stove's rating plate.
 - Small valve Label: apply to valve.
15. Reassemble the stove. Replace the air shutter and burner assembly. The appropriate stove model designation must face to the right. NOTE: Correct burner position is

critical to proper function. Be certain that the burner plate is securely engaged with the support brackets.

16. Replace the burner skirt.
17. Apply gas to the system and check for leaks using a leak test solution or electronic gas detector.

NEVER USE AN OPEN FLAME TO CHECK FOR GAS LEAKS.

Correct gas pressure is essential for efficient and safe operation of this appliance. Correct gas pressure must be established at the time of installation.

NOTE: Minimum LP Inlet pressure is 12.0 w.c.

For more details, see the Gas Pressure section of this manual (page 17).

ALWAYS REFER TO THE LIGHTING INSTRUCTIONS ON THE INSIDE BACK COVER OF THIS MANUAL WHEN LIGHTING THE STOVE.

18. Adjust the Air Shutter: Replace the gasket disk and fender washer on the shutter stem. See fig. 26. Pushing the shutter stem back will restrict air to the burner. Pulling the shutter forward will increase air. Set the stem at the half-way point in its adjustment travel. You will need to experiment to find the best setting for your particular installation. The shutter is set at the halfway position at the factory.

Be sure to tighten the wingnut on the Air Shutter stem snugly after any adjustment. This ensures that the burner remains locked in place.

Figure 18.
Remove the Burner Skirt from the stove.

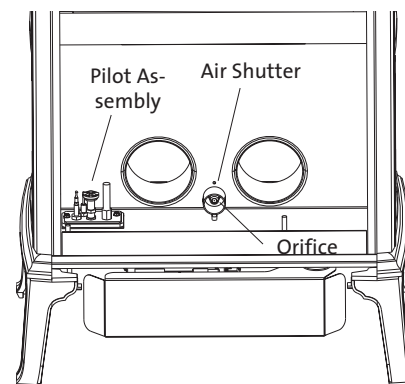
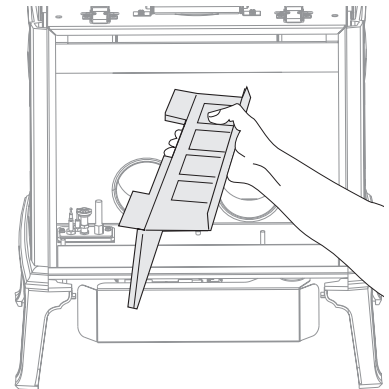


Figure 19. Burner orifice and pilot assembly locations.

Be sure to replace the air shutter oriented with the appropriate stove model ID is on the right.

Gas Supply Connection

NOTE: If the optional Blower will be installed, use a 90° Elbow off the valve to create adequate clearance for the main gas line.

The gas supply line connection is made to the valve just inside the left rear leg. The gas supply line should be 3/8" npt with a 1/2" diameter supply, or the appropriate size to provide sufficient gas pressure to the valve regardless of the input setting.

The use of a Flexible Gas Appliance Connector is acceptable in many areas in the U.S. However, Canadian methods vary depending on local code.

ALL INSTALLATIONS MUST COMPLY WITH LOCAL CODE OR IN THE ABSENCE OF LOCAL CODE, MUST COMPLY WITH THE MOST RECENT EDITION OF THE NATIONAL FUEL GAS CODE ANSI Z223.1/NFPA 54 OR CAN-B149.

All codes require a gas shut-off valve (gas cock) and union, to be installed in the supply line, and in the same room as the appliance. This allows for the disconnection of the stove for servicing and maintenance. See fig. 23.

A T-HANDLE GAS COCK IS REQUIRED IN MASSACHUSETTS TO COMPLY WITH CODE 248CMR.

Secure all joints tightly using appropriate tools and sealing compounds. For propane units be sure to use compounds that are propane resistant. Turn on gas supply and test for gas leaks using a soapy water solution. Never use an open flame to check for leaks.

Leak test:

1. Use an electronic gas detector, or mix a 50-50 solution of water and dish soap.
2. Light appliance- see lighting instructions on the inside back cover of this manual or on the stove's rating plate.
3. Brush or spray all joints and connections with the soapy water solution.
4. If bubbles appear at any connection or seam or a gas odor is detected, immediately turn gas control knob to the OFF position.
5. Tighten or reconnect the leaking joint and retest for any gas leaks.

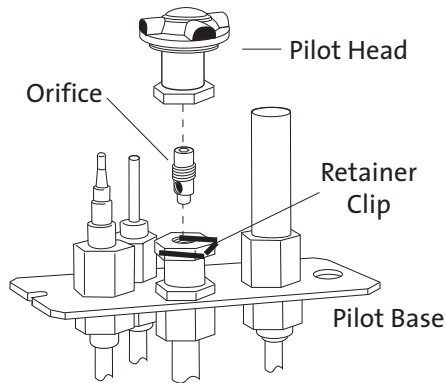


Figure 20. Pilot orifice removal and replacement.

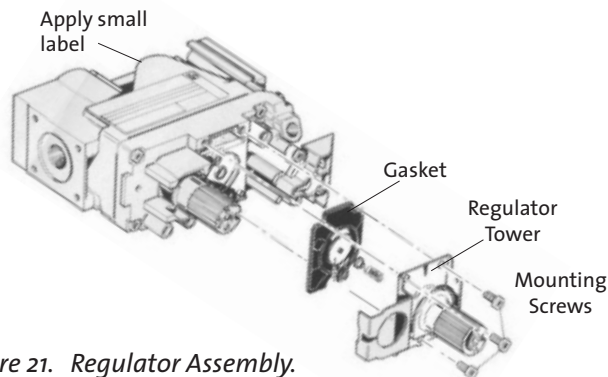


Figure 21. Regulator Assembly.

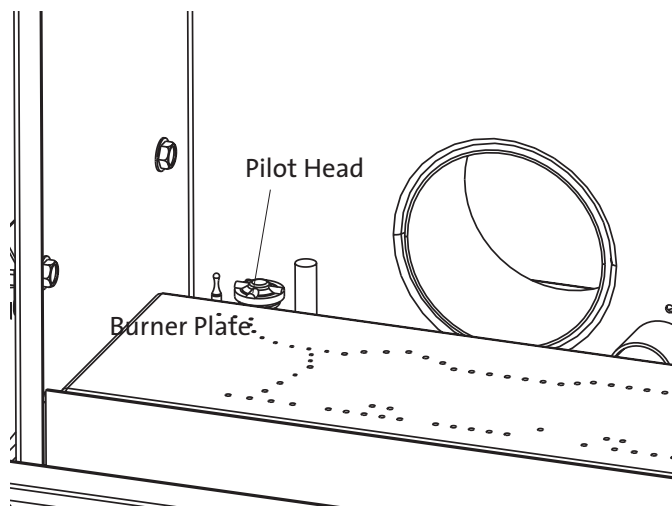


Figure 22. Check burner plate / pilot head alignment. Burner is secure, and level. The pilot head protrudes above the burner surface.

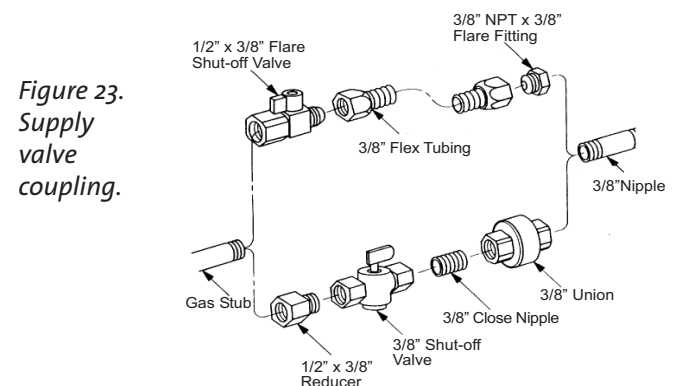


Figure 23. Supply valve coupling.

Gas Pressure

Correct gas pressure is essential for efficient and safe operation. It is important that the correct pressure is established at the time of the installation. Proper gas pressure provides a consistent flow of gas to the appliance and is instrumental in checking for gas leaks.

Pressure Test: Attach a manometer to the appropriate test point on the valve. See fig. 24. The gauge connections are located on the front of the valve under the On/Off/Pilot- knob. Gauge connections are identified by:

E - for Inlet or Supply Pressure (the amount of gas coming to the valve.)

A - for Manifold Pressure (the amount of gas that is coming out of the valve to the burner.)

ALWAYS TEST PRESSURES WITH VALVE CONTROL KNOB SET ON HIGH.

NECESSARY INLET GAS PRESSURES (inches water column)

	MIN	MAX
NATURAL GAS	5.0	7.0
PROPANE	12.0	14.5

The appliance and its appliance main gas valve must be disconnected from the gas supply piping system during any pressure testing on that system at test pressures in excess of 1/2 psig (3.5 kPa).

The appliance must be isolated from the gas supply line by closing its individual manual gas shut-off valve (gas cock) during any pressure testing of the gas supply piping system that is equal to or less than pressures of 1/2 psig (3.5 kPa).

MANIFOLD PRESSURES (inches water column)

	MIN	MAX
NATURAL GAS	1.2	3.8
PROPANE	2.9	11.0

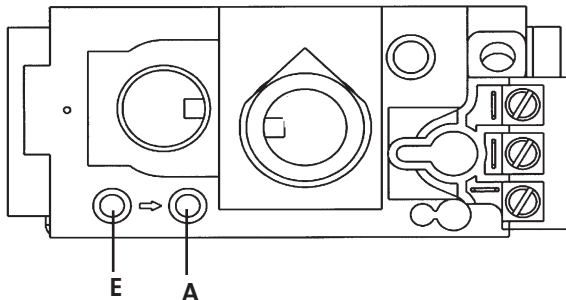


Figure 24. Pressure test points.

High Altitude Adjustment

The decreased atmospheric pressure of higher altitudes affects heat value of gaseous fuels. Most gas suppliers derate the gas intended for use at elevations above 2000 feet. Check with your gas supplier before performing derate adjustment to the burner.

The GF 100 DV II Nordic QT does not require adjustment for elevations up to 4500 ft. DO NOT DERATE.

The GF 200 DV II Lillehammer may be adjusted for altitude over 2000 ft. (610 - 1371 m). Check with your gas supplier and, if necessary, install High Altitude Adjustment Kit 155808 for Natural Gas, or Kit 155809 for Propane.

See the chart below for appropriate orifice sizes and part numbers.

IN THE U.S.:

THE DERATING KIT MUST BE INSTALLED BY AN AUTHORIZED SERVICE TECHNICIAN IN ACCORDANCE WITH THE MANUFACTURER'S INSTRUCTIONS AND ALL CODES AND REQUIREMENTS OF THE AUTHORITY HAVING JURISDICTION. THE INFORMATION LABEL MUST BE FILLED OUT BY THE INSTALLER AND APPLIED TO THE APPLIANCE AT THE TIME OF THE CONVERSION. THE QUALIFIED SERVICE AGENCY PERFORMING THIS WORK ASSUMES RESPONSIBILITY FOR THIS DERATING.

IN CANADA,

THIS UNIT HAS BEEN TESTED FOR INSTALLATION AT HIGH ALTITUDES IN ACCORDANCE WITH CANADIAN TEST STANDARD CAN/CGA-2.17.

THE DERATING SHALL BE CARRIED OUT IN ACCORDANCE WITH THE REQUIREMENTS OF THE PROVINCIAL AUTHORITIES HAVING JURISDICTION AND IN ACCORDANCE WITH THE REQUIREMENTS OF THE CAN1-B-149.1 AND .2 INSTALLATION CODE.

For high altitude installations, consult your local gas distributor or the authority having jurisdiction for proper rating methods. If the appliance is converted for high altitude, the Conversion Label, supplied with the kit, must be filled out by the installer and applied to the appliance at the time of the conversion. See fig. 25.

High Altitude Orifice Chart Jøtul GF 200 DV II Only			
Elevation	Fuel	Orifice Size	Part No.
0 - 2000 ft. (0 - 610 m)	Natural Gas Propane	#46 1.20 mm	220975 221185
2001 - 4500 ft. (611 - 1370 m)	Natural Gas Propane	#47 #56	220976 129466

Derating Procedure:

1. To derate this unit, install the appropriate orifice per the High Altitude chart.
2. Remove the Burner Skirt and Burner Plate to expose the main burner orifice.
3. Using a 1/2" open ended wrench or a deep-well socket remove the burner orifice.
4. Replace with the appropriate orifice from the high altitude kit.
5. Be sure to apply the high altitude conversion label provided to the rating plate on the appliance.

<p>THIS STOVE HAS BEEN CONVERTED FOR USE AT AN ALTITUDE OF: _____</p> <p>Orifice Size: _____ Manifold Press. _____</p> <p>Input Btu/Hr. _____ Fuel Type _____</p> <p>Date of Conversion _____</p>

Figure 25. This label must be filled out and applied to the appliance by the installer.

Flame Appearance - Air Shutter Adjustment

WARNING: AIR SHUTTER ADJUSTMENTS SHOULD ONLY BE PERFORMED BY A QUALIFIED PROFESSIONAL SERVICE TECHNICIAN.

The air shutter setting at the burner orifice can be adjusted to achieve the desired flame appearance. The shutter is set in the mid-range at the factory, however, you will want to adjust it if a fuel conversion kit has been installed or if the flame pattern is not as desired. The adjustment stem is located under the firebox, directly behind the gas control valve. Generally, flame appearance is a matter of preference, however most people enjoy a warm yellowish flame.

Too much air - the appliance will generate a flame that is blue and transparent, or an "anemic" flame.

Not enough air - the burner will generate very long yellow flames resulting in soot. Sooting produces black deposits on the logs, on the inside walls of the appliance, and potentially on the exterior termination cap.

Sooting is caused by incomplete combustion in the flames and lack of combustion air entering the air shutter opening. Open the shutter setting to allow more air.

To adjust the air shutter:

1. Locate and loosen the adjustment stem wing nut protruding from the bottom of the firebox, directly behind the gas valve. See fig. 26.
2. Push the stem back to decrease air, or pull it forward to increase air. Make adjustments in small increments (1/8") and allow the burner to "settle in" for a few minutes before making another one. Small shutter adjustments can produce dramatic changes to flame characteristics.
4. Re-tighten the wing nut when the desired flame appearance has been achieved.

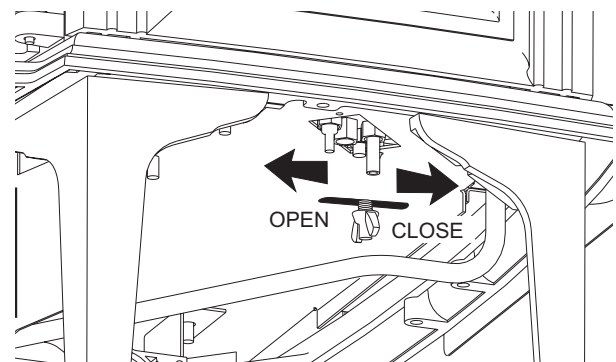


Figure 26.
Air Shutter adjustment

Optional Wall Thermostat or Remote Control

Use only a 750 millivolt DC two-wire circuit thermostat with this appliance. The thermostat should be placed in the same room as the heater, typically 5 feet off the floor. Avoid drafty areas or any area that may affect the accuracy of the thermostat.

The thermostat should be connected to the Nordic QT using a minimum of 16 gauge wire with a maximum length of 35 feet of wire.

Connect the two thermostat wire leads to the two lower terminals on the terminal block located directly to the right of the valve. Do not overtighten the connections. IT IS NOT NECESSARY TO DISCONNECT ANY OTHER WIRES. See Fig. 27.

For thermostatic operation, the On/Off/T-Stat switch on the back of the stove must be in the T-stat position, and the pilot light must be running, as it is the power source for the thermostat.

At the thermostat, the two wires should be connected to the two connection screws on the thermostat base plate per the manufacturer's instructions.

Remote Control

When using a remote, the remote receiver should be wired to the terminal block the same way the thermostat would be. See the instructions above.

Follow the operating instructions included with the Remote Control unit.

CAUTION:

LABEL ALL WIRES PRIOR TO DISCONNECTION WHEN SERVICING THE CONTROLS. WIRING ERRORS CAN CAUSE IMPROPER OR DANGEROUS OPERATION. ALWAYS VERIFY PROPER OPERATION AFTER SERVICING THE APPLIANCE.

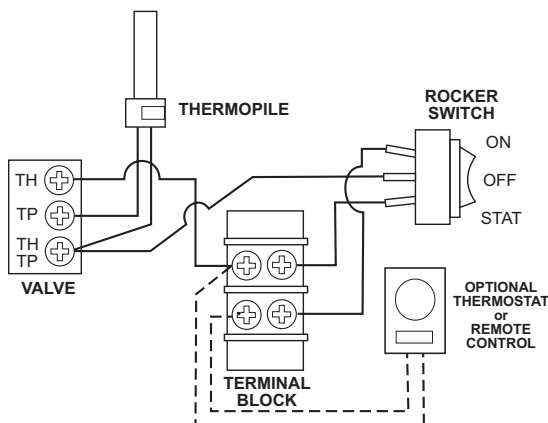


Figure 27. Accessory wiring diagram.

Log Set Installation

NOTE: Install the optional Brick Kit, if appropriate, before installing the Log Set. See page 30.

The Log Set and Ember Stones are packaged in foam inside the firebox. Wear gloves to prevent skin irritation from the ceramic fibers.

1. Assemble the Left and Right Rear Logs as shown in fig 28. First engage the halves together, and then engage the pins on the burner skirt with the adjacent holes in the underside of the logs.
2. Locate the Middle Log as shown in fig. 29.
3. Also included is a bag of ember stones that simulate glowing coals when the burner is operating. These should be spread thinly over the burner plate.

NOTE: Keep the ember stones 1/4" away from the edge of the Burner Skirt and Pilot Assembly. See fig. 29. All the ember stones do not have to be used.

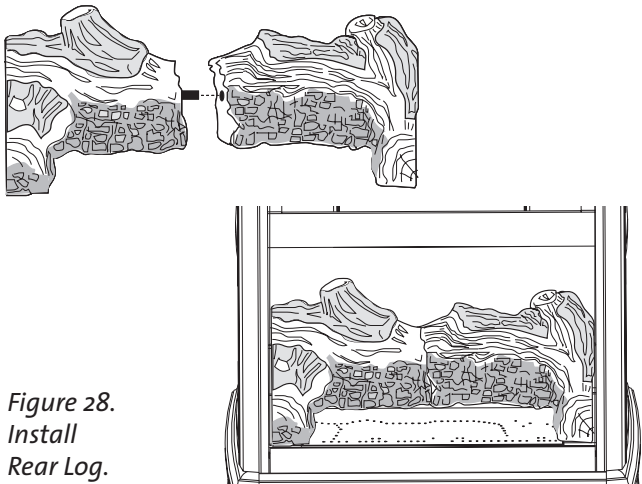


Figure 28. Install Rear Log.

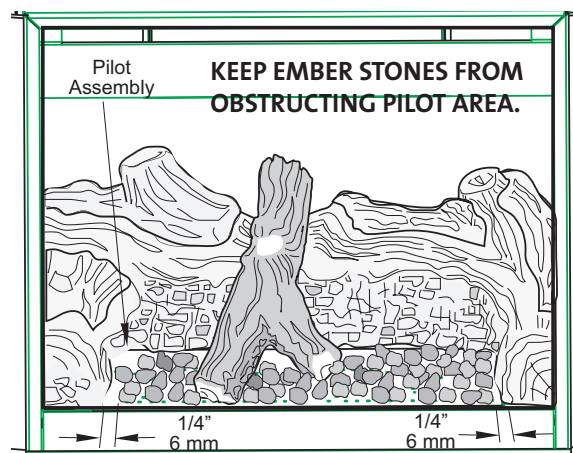


Figure 29. Middle Log and ember stones in place.

System Check

1. **PURGING THE GAS LINE:** When lighting the appliance for the first time, it will take a few moments to clear the gas line of air. Once this purge is complete, the appliance will operate as described in the lighting instructions. See the inside back cover of this manual or the stove Rating Plate attached the bottom of the stove. Subsequent burner starts will not require purging the gas line unless the supply line is shut off.

2. **PILOT FLAME:** You can monitor the pilot flame through the opening at the upper left corner burner skirt, under the rear log. See fig. 29. The pilot flame should be steady - not lifting or floating. The flame should be blue in color around the pilot hood, with traces of yellow toward the outer edges.

The pilot flame should engulf the top 3/8" of the thermopile (to generate millivolt current) and the top 1/8" of the thermocouple. The pilot flame should project out of the pilot hood 1" at all three ports. See figs. 30.

3. **BURNER ADJUSTMENT:** This stove is equipped with a variable gas control valve that allows easy adjustment of the flame height appearance and heat output. To adjust the flame, rotate the HI/LOW knob, located in the center of the valve face.

NO SMOKE OR SOOT SHOULD BE PRESENT. CHECK LOG PLACEMENT IF ANY SOOT OR SMOKE IS PRESENT. IF SOOT OR SMOKE PERSISTS, THE AIR SHUTTER MAY NEED TO BE ADJUSTED.

See Air Shutter/Flame Appearance section of this manual for proper air shutter settings and adjustments. Note: the more offsets there are in the vent system, the greater the need for an air shutter adjustment. See page 30.

WARNING:
AIR SHUTTER ADJUSTMENTS SHOULD ONLY BE PERFORMED BY A QUALIFIED PROFESSIONAL SERVICE TECHNICIAN.

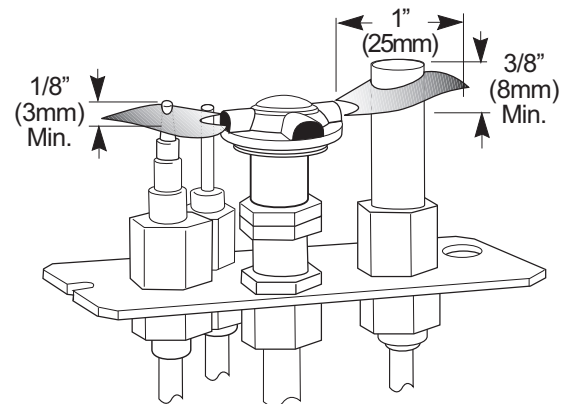


Figure 30. Proper pilot flame appearance.

CAUTION:

DO NOT ATTEMPT TO ALTER THE FLAME APPEARANCE BY POSITIONING THE GAS VALVE IN ANY OTHER POSITION OTHER THAN THE FULL "ON" POSITION.



Figure 31. Flame appearance on the "high" setting after approximately 15 to 20 minutes burning.

Operation

Familiarize yourself with the controls of your stove. Make sure that anyone else using the appliance is also familiar with the controls and operation procedures. Always follow the Lighting Instructions on the inside back cover of this manual and also located on the Rating Plate attached to the burner assembly.

1. Once the pilot is lit, burner operation is controlled by the rocker switch located at the left rear corner of the stove. Use the T-STAT position for the optional thermostat or remote control functions. See fig. 32.
2. During the first few fires, you may notice odor and/or smoke from the stove. This is normal and results from burn-off of manufacturing residue and curing of materials. You may find it helpful to provide additional ventilation and fresh air to alleviate this condition.
3. Condensation may occur on the glass upon each lighting of the appliance. This “fog” will disappear as the appliance heats up.
4. Keep the controls and the area under the appliance free of debris, vacuum this area frequently. Always keep the appliance area clear and free from combustible materials, gasoline and other flammable liquids.

If a vacuum is used during any service on the stove, ALWAYS be sure the stove is cold and there are NO hotembers or sparks.

5. This appliance has a continuous burning pilot flame. Exercise caution when using products having combustible vapors. Always shut-off gas supply while servicing the stove.
6. **CAUTION: DO NOT OPERATE THIS APPLIANCE WITH THE GLASS REMOVED CRACKED OR BROKEN.** Replacement of the glass should be done by a licensed or qualified service person. Use only replacement glass provided by your authorized Jøtul dealer. Never use any substitute materials.

WARNING: OBSERVE CAUTION WITH THE GLASS. THE GLASS PANEL MAY SHATTER UNEXPECTEDLY IF STRUCK WITH AN OBJECT. ALWAYS HANDLE THE GLASS PANEL WITH CARE. WHEN SERVICING THE STOVE ALWAYS PULL THE GLASS ASSEMBLY STRAIGHT UP FOR REMOVAL.

7. Clean the glass only when necessary. Wipe surface with a clean, damp soft cloth. Follow with a dry, soft towel as desired. Take care not to scratch the glass surface.
WARNING: DO NOT USE ABRASIVE CLEANERS ON THE GLASS. NEVER CLEAN THE GLASS WHEN IT IS HOT.

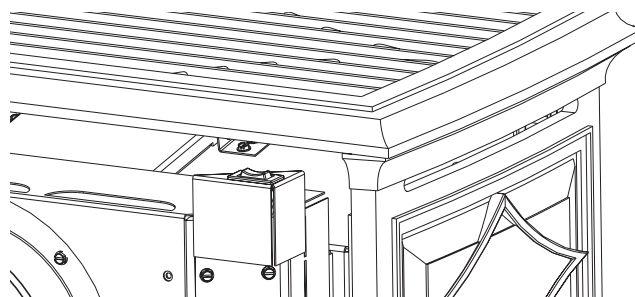


Figure 32. Burner Control Switch location.

Maintenance

This appliance and its venting system should be inspected before use and at least annually by a qualified service technician.

IMPORTANT:

ALWAYS TURN OFF THE GAS SUPPLY TO THE STOVE BEFORE ANY SERVICE WORK IS PERFORMED ON THE STOVE.

Vent System: The vent components should be inspected annually to confirm it is clear of obstructions and all connections are secure. Any joints disconnected must be resealed using high temperature sealant when reassembled.

Firebox Cleaning: The firebox should be vacuumed annually to remove any surface build up. Be sure to vacuum or wipe off the pilot assembly and burner orifice and burner tube. Handle the logset carefully as it is very fragile.

Glass Cleaning: Use warm water and a soft cloth. Do not use abrasive cleaning agents or strong detergents on the glass. Be sure the glass is cool before cleaning.

Gasket Inspection: Inspect the glass gasket at least annually. Examine the ribbon gasket for signs of deterioration and make sure the gasket has a positive seal. Replace the gasket if it appears worn or damaged. Refer to the replacement parts list on page 27.

Enamel Care:

- **DO NOT ATTEMPT TO CLEAN HOT ENAMEL SURFACES.** Clean only cold enamel surfaces with a soft damp cloth and polish with a clean dry cloth.

- **DO NOT USE SOAPY OR ABRASIVE SOLUTIONS.** These can cause stains. Coffee, tea, and fruit juices will also stain.

- **Avoid contact with metal objects.** Trivets, kettles, or pots, can damage the enamel.

Glass and Gasket Replacement

Only Use Replacement Kit 155599.

1. Use a small screwdriver to pry the four retainer clips off of the glass frame. See fig. 33.
2. Peel away all remnants of the old gasket material and clean any adhesive residue off the glass.
3. Peel the paper backing off the replacement gasket to expose the adhesive.
4. Apply the gasket to the panel, wrapping the adhesive side down around the panel edge. See fig. 34.
5. Insert the gasketed glass panel into the frame and press the retainer clips back into place as shown.

Always replace any damaged or broken parts with JØTUL AUTHORIZED PARTS ONLY. These are available through your Jøtul dealer. Never use any substitute parts on your stove.

With proper care and maintenance your appliance will provide you with many years of enjoyment. If you experience any problems or inconsistency with your stove, contact your authorized Jøtul dealer for assistance.

Enamel Care and Maintenance

- Do not attempt to clean hot enamel surfaces. Clean only cold surfaces with a soft damp cloth and polish with a clean dry cloth.
- Do not use soapy or abrasive solutions. These can cause stains. Coffee, tea, and fruit juices will also stain enamel.
- Avoid contacting the enamel with other metal objects. Trivets, kettles, or pots can damage the enamel.
- Small chips may be repaired with Jøtul Enamel Touch-up paints available from your Jøtul dealer.

KEEP THIS MANUAL FOR REFERENCE AND MAKE IT AVAILABLE TO ANYONE USING OR SERVICING THE STOVE.

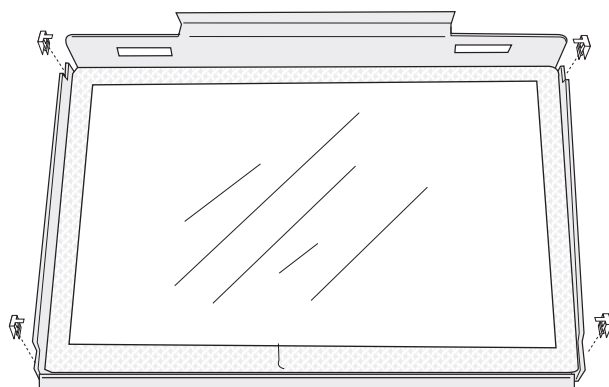


Figure 33. Removal and replacement of the glass panel.

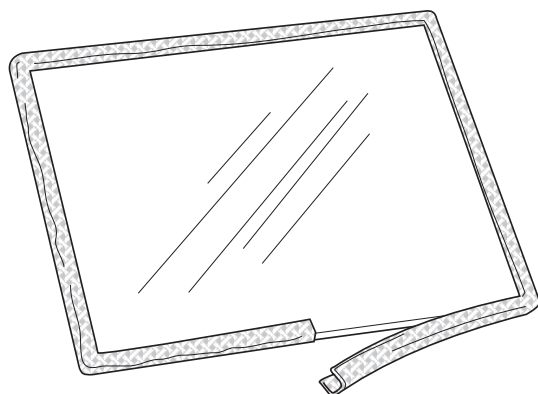


Figure 34. Wrap the gasket around the glass panel.

Optional Blower # 155631

CONNECT THE GAS SUPPLY TO THE STOVE BEFORE INSTALLING THIS BLOWER. USE A 90° ELBOW OFF THE GAS VALVE TO CREATE ADEQUATE GAS LINE CLEARANCE.

- THIS BLOWER MUST BE ELECTRICALLY GROUNDED IN ACCORDANCE WITH LOCAL CODES OR, IN THE ABSENCE OF LOCAL CODES, WITH THE CURRENT ANSI/NFPA 70, NATIONAL ELECTRICAL CODE OR CSA C22.1-CANADIAN ELECTRICAL CODE.
- THIS UNIT IS SUPPLIED WITH A THREE-PRONG (GROUNDING) PLUG FOR PROTECTION AGAINST SHOCK HAZARD AND SHOULD BE PLUGGED DIRECTLY INTO A PROPERLY GROUNDED THREE-PRONG RECEPTACLE. DO NOT CUT OR REMOVE THE GROUNDING PRONG FROM THE PLUG.
- ALWAYS DISCONNECT THE POWER SUPPLY WHEN PERFORMING ANY SERVICE ON THE FIREPLACE INSERT.

Contents

1. Blower
2. Snapstat Wire Harness
3. Control Box
4. Snapstat Bracket
5. Rheostat Knob
6. Snapstat
7. Mounting Bracket (GF100 DV II ONLY)
8. M6 Flange Nuts, (2)
9. M6 x 12 Hex Bolts, (2)
10. #8 x 1/2" Sheet metal screw, (4)

Tools Required

- 1/4" socket driver
- 10 mm socket driver or wrench

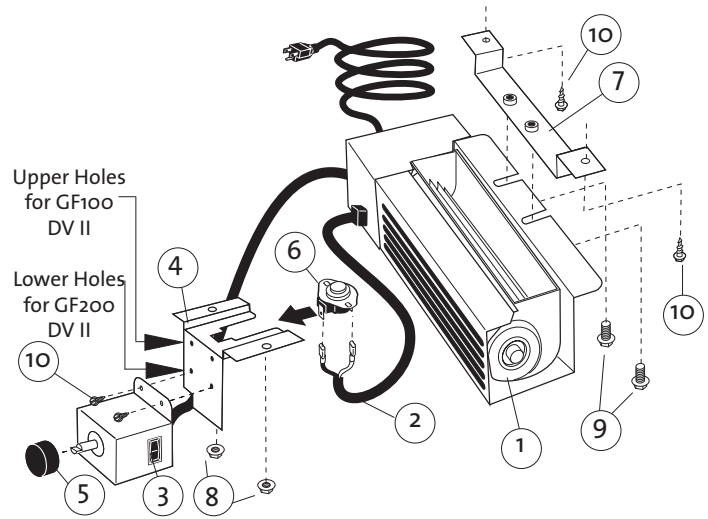


Figure 35. Blower Kit Components

Installation

1. **Unpack and check the contents** of the blower kit. Contact your dealer if any damage is evident or parts are missing. See fig. 35.
2. **Attach the Control Box to the Snapstat Bracket** using two #8 x 1/2" sheet metal screws. As shown in fig. 35, use the pair of mounting holes appropriate for your stove.
3. **Attach the Control Box to the studs** located underneath the stove in the middle of the fire-box floor using the two M6 hex nuts and a 10 mm socket driver or wrench. See fig. 36.
4. Attach the Blower to the stove.

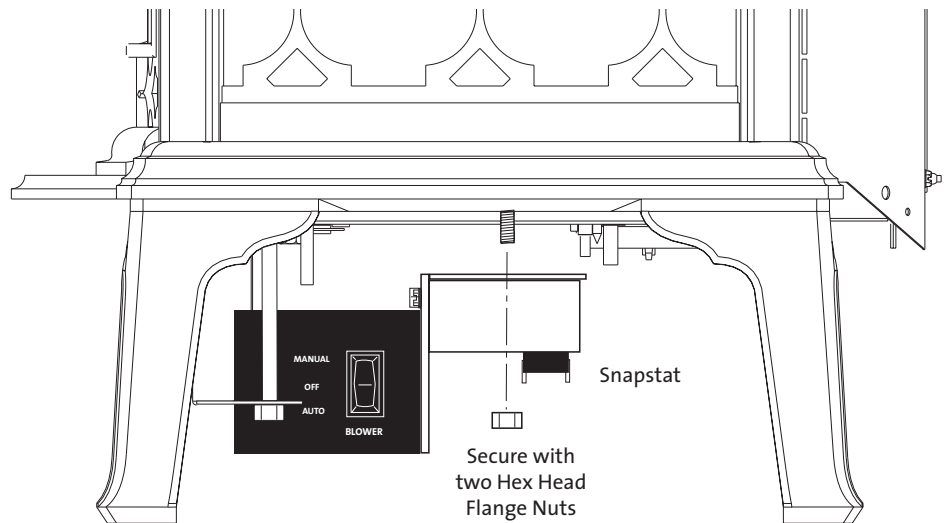
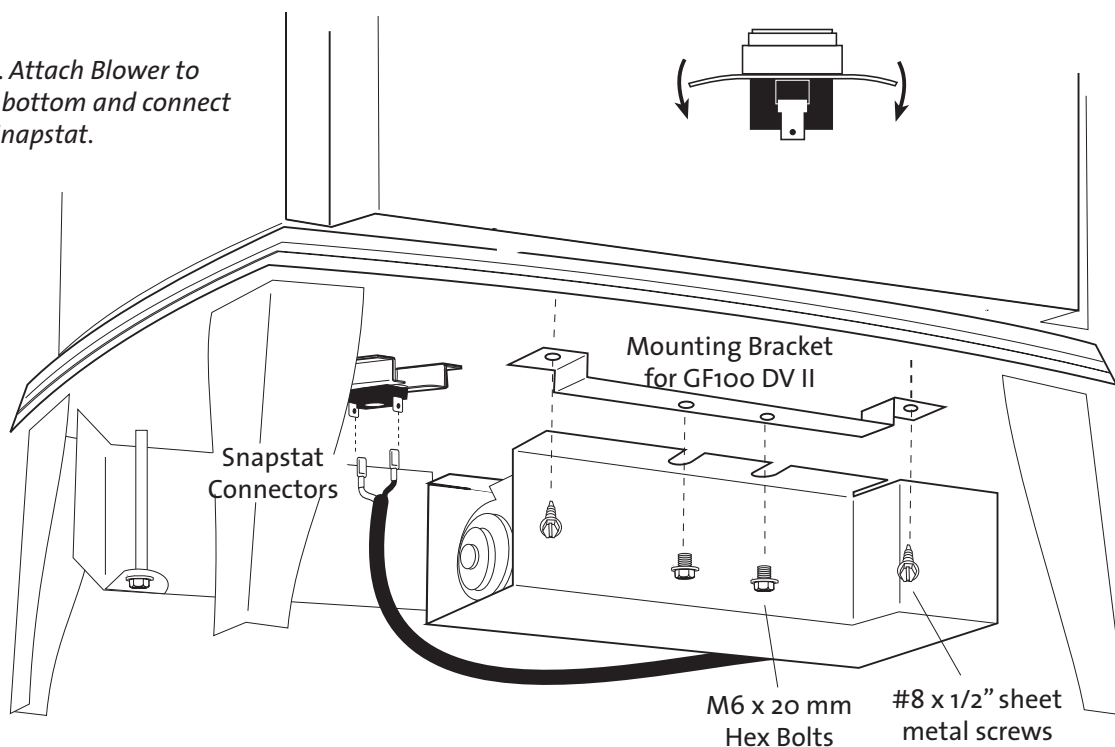


Figure 36. Attach Control Switch Box.

Figure 37. Attach Blower to the stove bottom and connect wires to Snapstat.



GF 100 DV II: First install the Mounting Bracket to the holes in the bottom of the rear shroud using two #8 x 1/2" sheet metal screws. Then attach the Blower to the Mounting Bracket using the two M6 flange head hex bolts as shown in fig. 35 and 37.

GF 200 DV II: Attach the Blower directly to the tapped hole in the cast iron stove bottom using the two M6 flange head hex bolts.

5. Attach either Snapstat wire connector to either Snapstat terminal. See figs. 35 and 37.
6. Connect power cord to the nearest outlet.

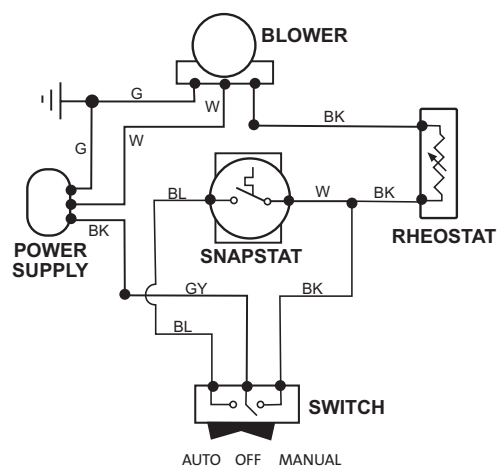


Figure 38. Blower Wiring Diagram

Blower Operation

The variable-speed blower will enhance heat circulation around the firebox and out into the room. The blower is controlled by a heat activated switch (snapstat) that will function only when the control switch is in the AUTO setting. After the fire has been burning for a time, the snapstat will react to the heat and activate the blower. Fan speed may be manually adjusted with the rheostat knob. If the burner turns off, the blower will be shut off automatically when the stove cools down.

If automatic blower circulation is not desired, place the blower control switch in the MANUAL position. That will override the snapstat allowing the blower to run continuously.

CAUTION:

LABEL ALL WIRES PRIOR TO DISCONNECTION WHEN SERVICING CONTROLS. WIRING ERRORS CAN CAUSE IMPROPER AND DANGEROUS OPERATION. VERIFY OPERATION AFTER SERVICING.

ATTENTION:

AU MOMENT DE L'ENTRETIEN DES COMMANDES, ETIQUETEZ TOUS LE FILS AVANT LE DEBRANCHEMENT. ES ERREURS DE CEBLAGE PEUVENT ENTRA TUN FONCTIONNEMENT INADEQUAT ET DANGEREUX.

GF 100 DV II / GF 200 DV II

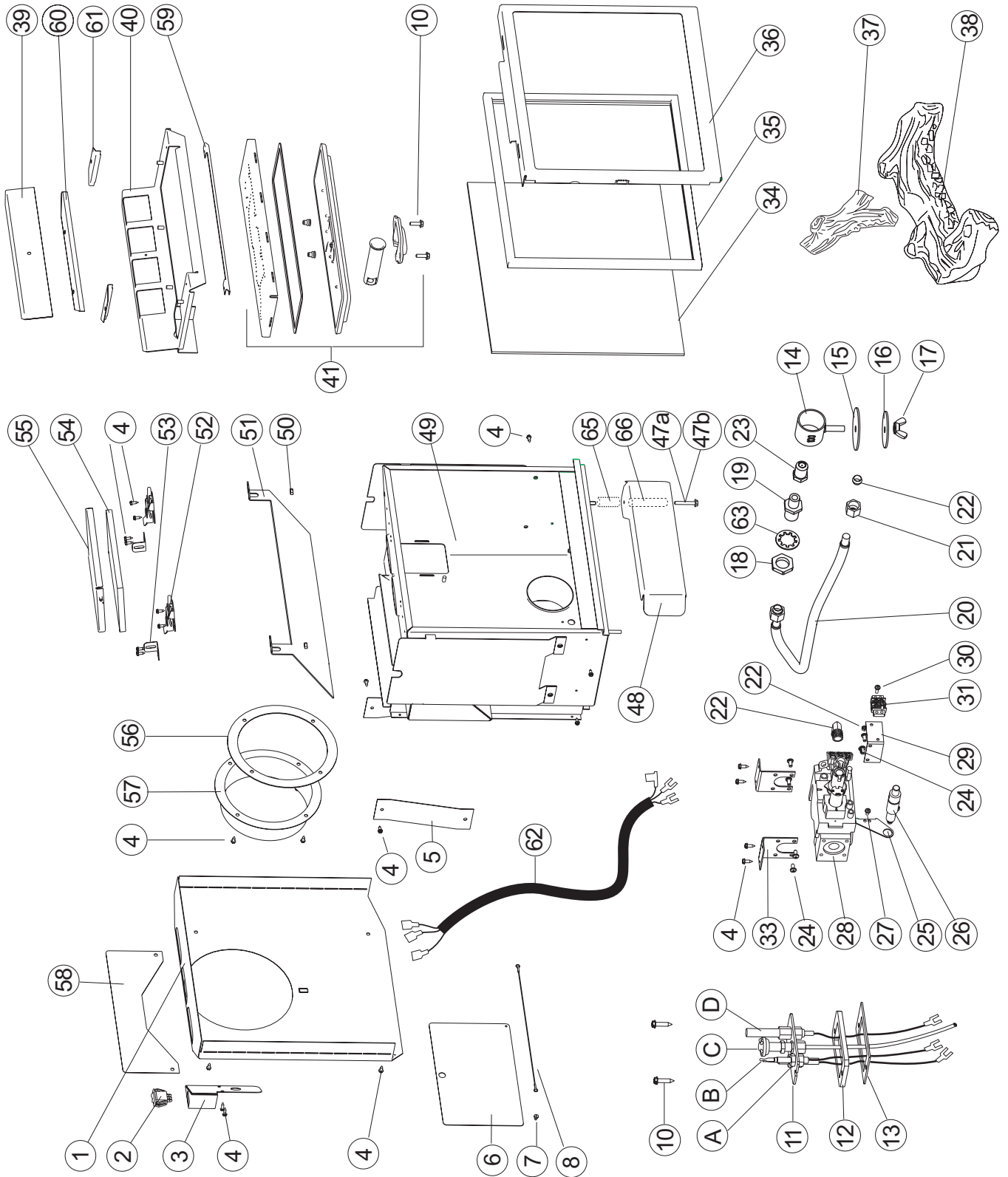


Figure 39.

Parts List - GF 100 DV II / GF 200 DV II Firebox Assembly

Part Description	Part Number	Part Description	Part Number
1. Rear Shroud, Matte Black	22055592	37. Middle Log	221105
Rear Shroud, Jøtul Iron	22055585	38. Rear Log, (two-piece)	221104
2. Burner Control Switch	129123	Log Set w/ Embers	155816
3. Switch Box, Matte Black	22092592	*Ember Stones, 4 oz.	129123
Switch Box, Jøtul Iron	22092585	39. Dilution Air Cover	221108
4. Sheet Metal Screw, #8 x 1/2"	117117	40. Burner Skirt	220797
5. Air Diverter.....	220981	41. Replacement Burner, Complete	155600
6. Rating Plate.....	220920	47a. Valance Bolt, M6 x 100 Hex Hd	117955
7. Rivet, 1/8"	117946	(for GF 100 DV II)	
8. Lanyard Cable	129159	47b. Valance Bolt, M6 x 130 Hex Hd.....	118033
9. Bolt, M6 x 20	117117	(for GF 200 DV II)	
10. Screw, #8 x 3/4" Hex	117986	48. Valance Door, Matte Black.....	22093192
11. Pilot Assembly.....	129471	Valance Door, Jøtul Iron	22093185
A. Electrode.....	129765	49. Firebox	221324
B. Thermocouple	129766	50. Hex Nut, M6	9930
C. Pilot Line w/ Fittings.....	129446	51. Exhaust Baffle	220927
D. Thermopile.....	3094527	52. Glass Frame Latch	129135
12. Pilot Spacer	220546	53. Relief Door Guide.....	129499
13. Pilot Gasket.....	129670	54. Relief Door Gasket.....	220735
14. Air Shutter.....	220928	55. Relief Door	220589
15. Air Shutter Gasket.....	221107	56. Adapter Pipe Gasket	129118
16. Wing Nut	117975	57. Adapter Pipe	129322
17. Washer, 25 x 1 1/2"	118029	58. Wallshield, Matte Black	22092692
18. Jam Nut	129152	Wallshield, Jøtul Iron	22092692
19. Orifice Holder	220643	59. Air Deflector, Burner Skirt.....	221109
20. Main Gas Flex Tube	129390	60. Rear Restrictor Plate, Matte Blk	2211092
21. Compression Nut.....	129464	Rear Restrictor Plate, Jøtul Iron	2211085
22. Compression Sleeve.....	129463	61. Side Restrictor Plate, Matte Blk.....	22099192
23. Burner Orifice, #48 NG / GF100	129407	Side Restrictor Plate, Jøtul Iron.....	22099185
Burner Orifice, #56 LP / GF100	129466	62. Wire Harness, Burner Control.....	155813
Burner Orifice, #46 NG / GF200	220975	63. Star Washer	118032
Burner Orifice, 1.20 LP / GF200.....	221185	65. Valance Hinge Spacer, 1" GF200 only.....	118039
24. Screw, 10-32 x 3/8" Phillips	117911	66. Valance Hinge Spacer, 3"	118040
25. Ignitor Bracket.....	3902576	67. *Orifice Retainer.....	221367
26. Ignitor.....	3902573		
27. Screw, M4 x 8 Phillips	117920		
28. Gas Valve, 50% TD/ HiTemp - NG.....	222263		
29. Terminal Block Bracket.....	220930		
30. Screw, M4 x 12 Phillips	117921		
31. Terminal Block, 2 Pole	129154		
32. Nut, M4 Hex.....	117922		
33. Valve Retainer.....	220924		
34. Glass, Ceramic	220576		
35. Glass Gasket, Tadpole	129124		
36. Glass Frame, Matte Black	22136592		
Glass Frame, Jøtul Iron	22136585		
Glass Replacement Kit	155599		

** Parts not illustrated*

**ALWAYS USE REPLACEMENTS PARTS
PROVIDED BY AN AUTHORIZED JØTUL DEALER ONLY.**

Illustrated Parts Breakdown / Cast Iron and Associated Hardware

Jøtul GF 100 DV II Nordic QT

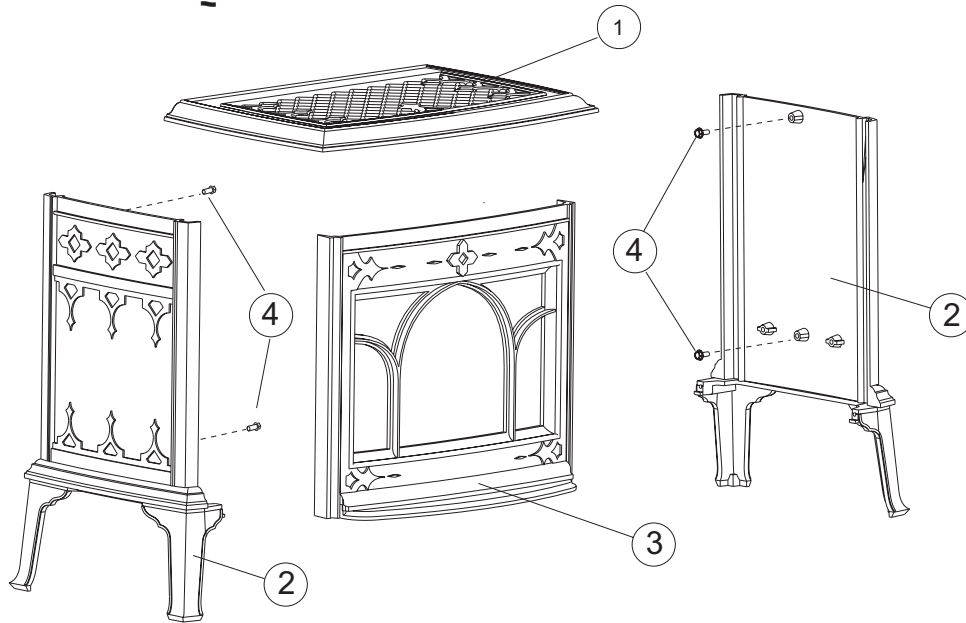


Figure 40.

Jøtul GF 200 DV II Lillehammer

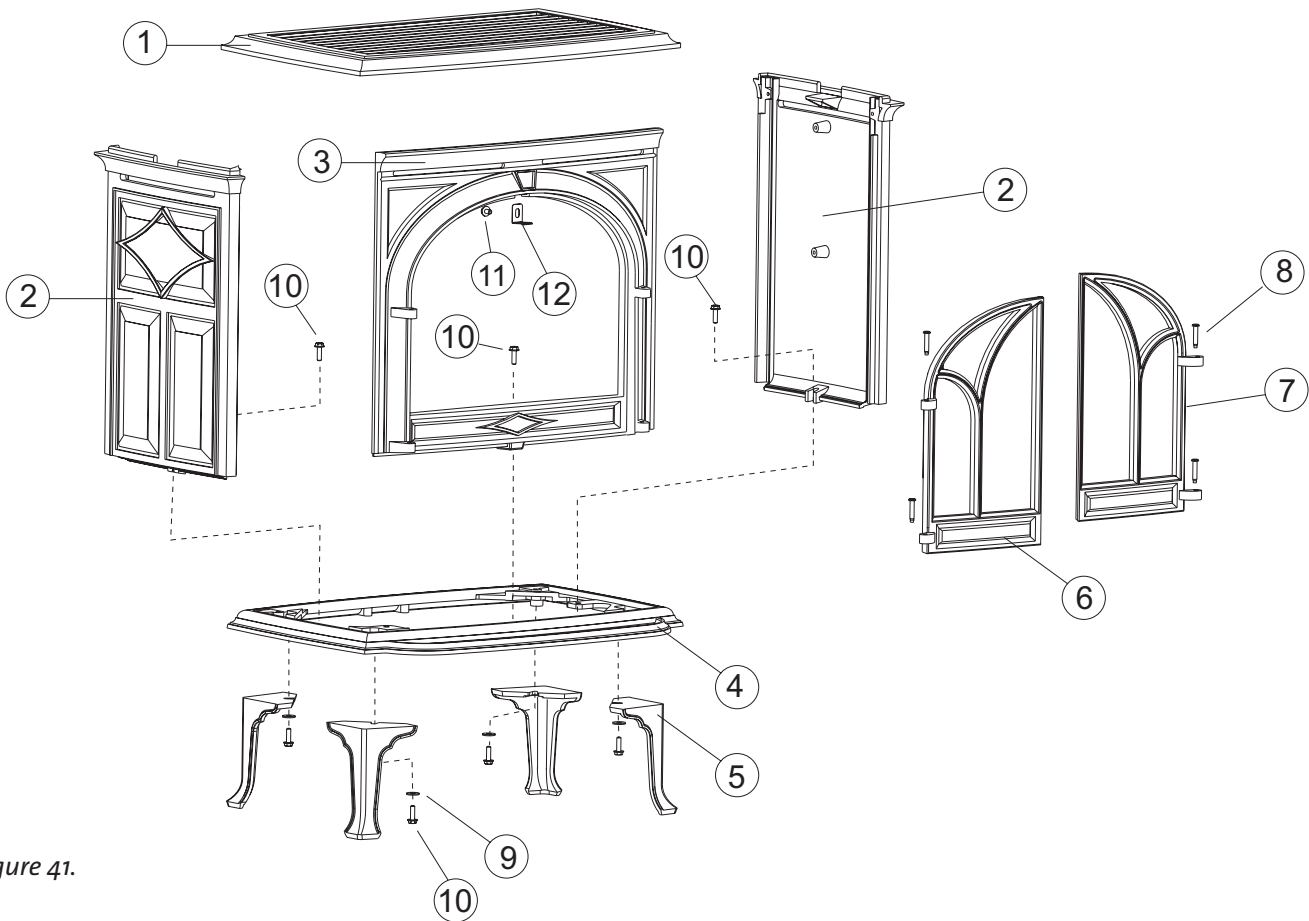


Figure 41.

Cast Iron Parts List

Jøtul GF 100 DV II Nordic QT

Cast Iron Parts	Matte Black Paint	Blue Black Enamel	Ivory Enamel	Green Enamel	Jøtul Iron Paint	Jøtul Iron Enamel	Majolica Brown Enamel	Majolica Blue Enamel
1. Top Casting	10391092	10391027	10391029	10391032	10391085	10391046	10391047	10391048
2. Side Panel	10426992	10426927	10426929	10426932	10426985	10426946	10426947	10426948
3. Front Panel	10390992	10390927	10390929	10390932	10390985	10390946	10390947	10390948
4. Screw, M6 x 12 Truss Head Phillips, (4)								118045

Jøtul GF 200 DV II Lillehammer

Cast Iron Parts	Matte Black Paint	Blue Black Enamel	Ivory Enamel	Green Enamel	Jøtul Iron Paint	Jøtul Iron Enamel	Majolica Brown Enamel	Majolica Blue Enamel
1. Top Casting	10390692	10390627	10390629	10390636	10390685	10390646	10390647	10390648
2. Side Panel	10390792	10390727	10390729	10390736	10390785	10390746	10390747	10390748
3. Front Panel	10390592	10390527	10390529	10390536	10390585	10390546	10390547	10390548
4. Bottom Plate	10390092	10390027	10390029	10390036	10390085	10390046	10390047	10390048
5. Leg, 6"	10195292	10195227	10195229	10195236	10195285	10195246	10195247	10195248
6. Left Door	10425592	10425527	10425529	10425536	10425585	10425546	10425547	10425548
7. Right Door	10425692	10425627	10425629	10425636	10425685	10425646	10425547	10425548
Front Assembly*	15592392	155925	155927	155929	15592385	156156	156384	156388

* Front Assembly includes Front, Left & Right Doors, and Hinge Pins

Hardware- Jøtul GF 200 DV II only

8. Hinge Pin, (4)	129560
9. Fender Washer, M6 (4)	120004
10. Bolt, M6 x 20, (4)	117117
11. Bolt, M6 x 10 Hex Hd Flange	9962
12. Door Catch	220919

Jøtul GF 100 DV II Accessories

• Blower Kit	155631
• Antique Brick Kit	155815
• Fuel Conversion Kit - LP	155628
• Fuel Conversion Kit - NG	155629
• Wall Thermostat	750003
• Remote Control	129706
• Mobile Home Floor Bracket Kit	154342
• Universal Leg Leveler	156096

Jøtul GF 200 DV II Accessories

• Fuel Conversion Kit - LP	155626
• Fuel Conversion Kit - NG	155627
• High Altitude Adjustment Kit - NG	155808
• High Altitude Adjustment Kit - LP	155809
• Blower Kit	155631
• Antique Brick Kit	155815
• Wall Thermostat	750003
• Remote Control	129706
• Universal Leg Leveler	156096
• Mobile Home Bracket Kit	GF200DVII (6") / 154923
.....for Long Legs (8") / 750304	
.....for Plinth Kit / 154342	
• Long Leg Kits	Matte Black / 154929
..... Blue Black / 154930	
..... Forest Green / 154931	
..... Ivory / 154932	
..... Jøtul Iron / 155366	
• Plinth Kits	Matte Black / 350081
..... Blue Black / 350082	
..... Ivory / 350083	
..... Forest Green / 350084	
..... Jøtul Iron / 350085	

Optional Antique Brick Panel Kit 155815 Installation

CAUTION!
THE BRICK PANELS ARE EXTREMELY FRAGILE. HANDLE WITH CARE. WEAR SAFETY GLOVES TO PROTECT HANDS.

Tools Required: Safety glasses and gloves

1. Remove the Top Plate. Simply lift it up off of the stove body. It is not fastened.
2. GF 100 DV II ONLY: Remove the Front Plate by lifting straight up to disengage it from the sides.
3. Remove the Glass Frame. Disengage the two trunk latches located at the top of the firebox and lift the glass frame up and out of the firebox.
4. If installed, remove the Logset.
These parts are not fastened. Simply lift them out of the firebox. You do not have to remove the embers.
5. Install the Lower Panel.
Position it up against the back wall, resting on the Burner Skirt. Fig. 43.
6. Install one of the Side Panels, pushing it up against the firebox wall. Fig. 44
7. Position the Upper Panel. You should seat the Upper Panel down and forward so that no gaps are evident at the panel joints, as in Fig. 44.
8. Install the other Side Panel while holding the Upper Panel in position.
Adjust the panels so that the mortar joints align with those adjacent.
9. Install the Logset. Refer to pg. 20.
BE CERTAIN THAT NO EMBERS ARE BLOCKING THE PILOT ASSEMBLY OPENING.
10. Replace the Glass Frame.
Slide the frame down the slot in the front of the firebox. Be sure to push the frame into the slot in the bottom to ensure it is fully seated. The gasket at the top of the frame should be flush with the top of the firebox.
Re-engage the trunk latches with the top lip of the glass frame.

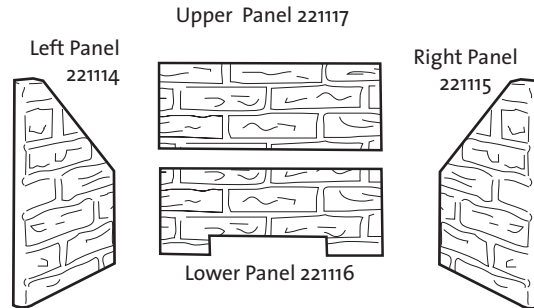


Figure 42. Brick Panel Kit Contents.

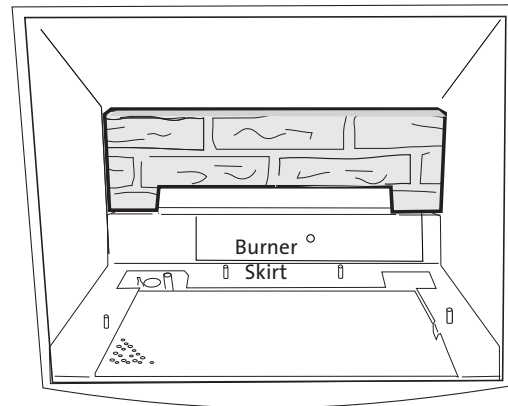


Figure 43. Install the Lower Rear Panel

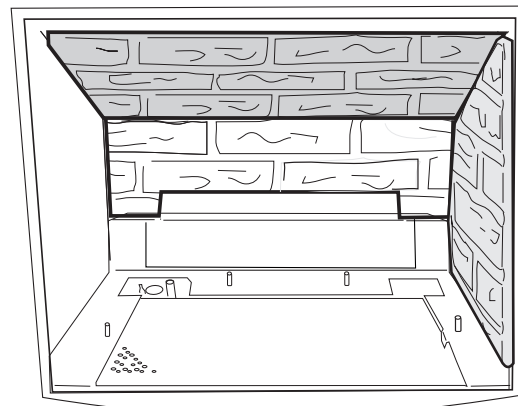


Figure 44. Install the Upper and Side Panels.

Jøtul Gas Product Limited Warranty

This warranty policy applies to gas products identified by Jøtul, Scan, and Atra trade names, as set forth below.

A. Cast Iron, Steel Doors, Surround Components, Firebox: Jøtul North America Inc. (JØTUL) warrants, to the original retail purchaser, that those components of the Jøtul, Scan, or Atra Gas Stove or Fireplace specified above will be free of defects in material and workmanship for a period of five (5) years from the date of purchase. This warranty is subject to the terms, exclusions and limitations set forth in the following text.

B. Burner, Burner Treatments, Firebox Panels: JØTUL warrants, to the original retail purchaser, that those components of the Jøtul, Scan, or Atra Gas Stove or Fireplace specified above will be free of defects in material and workmanship for a period of two (2) years from the date of purchase. This warranty is subject to the terms, exclusions, and limitations set forth in the following text

C. Gas & Electrical Components (controls, plumbing, valve, blower): JØTUL warrants, to the original retail purchaser, that those components of the Jøtul, Scan, or Atra Gas Stove or Fireplace specified above will be free of defects in material and workmanship for a period of one (1) year from the date of purchase. This warranty is subject to the terms, exclusions, and limitations set forth in the following text.

JØTUL will repair or replace (including parts & labor), at its option, any of the above components determined by JØTUL to be covered by this warranty. You must, at your own expense, arrange to deliver or ship the component to an authorized Jøtul, Scan, or Atra dealer and arrange for pickup or delivery of the component after repairs have been made. If, upon inspection, JØTUL determines that the component is covered by this warranty, the repair or replacement will be made as set forth above. This warranty is not transferable and is extended only to, and is solely for the benefit of, the original retail purchaser of the Jøtul, Scan, or Atra Gas Stove or Fireplace. This paragraph sets forth the sole remedy available under this warranty in the event of any defect in the Jøtul, Scan, or Atra Gas Stove or Fireplace.

The warranty period for any replaced component will be the remaining unexpired portion of the warranty period for the original component. Please retain your dated sales receipt in your records as proof of purchase.

EXCLUSIONS AND LIMITATIONS

NOTICE: This warranty is void if installation or service is performed by someone other than an authorized installer, service agency or gas supplier, or if installation is not in conformance with the installation and operating instructions contained in this owner's manual or local and/or national fire and building regulations. A listing of local authorized installers, service agencies and gas suppliers can be obtained from the National Fireplace Institute at <http://www.nficertified.org/>. This warranty does not cover the following:

- 1) Repair or replacement of parts that are subject to normal wear and tear during the warranty period or to parts that may require replacement in connection with normal maintenance. These parts include gaskets and glass (except to the extent such parts suffer damage from thermal stress).
- 2) Damage due to incorrect installations not in conformance with the installation instructions contained in this owner's manual or local and/or national fire and building regulations.

3) Damage due to service performed by an installer, service agency or gas supplier, unless otherwise agreed to in writing by JØTUL.

4) Labor or other costs associated with the repair of gas controls, plumbing, burners, log set, or sheet metal firebox beyond the warranty period.

5) Damage caused by unauthorized modification, use or repair.

6) Damage to enameled surfaces caused by improper operation or misuse, including use that is not in conformance with the operating instructions contained in this owner's manual. Such damage can typically be identified by bubbling, cracking, or discoloration of the enamel finish.

7) Costs incurred by travel time and/or loss of service.

8) Damage incurred while the Jøtul, Scan, or Atra Gas Stove or Fireplace is in transit.

IN NO EVENT SHALL JØTUL, ITS PARENT COMPANY, SHAREHOLDERS, AFFILIATES, OFFICERS, EMPLOYEES, AGENTS OR REPRESENTATIVES BE LIABLE OR RESPONSIBLE TO YOU FOR ANY SPECIAL, INDIRECT, INCIDENTAL, CONSEQUENTIAL, PUNITIVE OR OTHER SIMILAR DAMAGES, INCLUDING, BUT NOT LIMITED TO, LOST PROFITS, LOST SALES, INJURY TO PERSON OR PROPERTY, OR DAMAGES TO A STRUCTURE OR ITS CONTENTS, ARISING UNDER ANY THEORY OF LAW WHATSOEVER. ALL IMPLIED WARRANTIES, INCLUDING THE IMPLIED WARRANTIES OF MERCHANTABILITY AND FITNESS FOR A PARTICULAR PURPOSE, OR OTHERWISE, ARE LIMITED IN DURATION TO THE LENGTH OF THIS WRITTEN WARRANTY. EXCEPT AS EXPRESSLY SET FORTH HEREIN, JØTUL MAKES NO ORAL, WRITTEN OR OTHER WARRANTY WITH RESPECT TO JØTUL, SCAN OR ATRA GAS STOVES OR FIREPLACES.

Some states do not allow the exclusion or limitation of incidental or consequential damages, or limitations on the length of implied warranties. Therefore, the above exclusions or limitations may not apply to you. This warranty gives you specific legal rights, and you may have other rights, which vary from state to state.

JØTUL reserves the right to discontinue, modify or change the materials used to produce the Jøtul, Scan, or Atra Gas Stove or Fireplace. JØTUL shall have the right to replace any defective component with substitute components determined by JØTUL to be of substantially equal quality and price.

The dollar value of JØTUL's liability for breach of this warranty shall be limited exclusively to the cost of furnishing a replacement component. JØTUL shall not in any event be liable for the cost of labor expended by others in connection with any defective component. Any costs or expenses beyond those expressly assumed by JØTUL under the terms of this warranty shall be the sole responsibility of the owner(s) of the Jøtul, Scan, or Atra Gas Stove or Fireplace.

No dealer, distributor, or other person is authorized to modify, augment, or extend this limited warranty on behalf of JØTUL. NO MODIFICATION OR CHANGE TO THIS WARRANTY WILL BE EFFECTIVE UNLESS IT IS MADE IN A WRITTEN DOCUMENT MANUALLY SIGNED BY AN AUTHORIZED OFFICER OF JØTUL.

An authorized installer may have been provided with certain information related particularly to the Jøtul, Scan, or Atra Gas Stove or Fireplace; however, no authorized installer or other person who may service the appliance is an agent of JØTUL. No inference should be made that JØTUL has tested, certified, or otherwise pronounced any person as qualified to install or service the appliance. JØTUL shall not be liable or otherwise responsible for any error or omission by a person installing or servicing a Jøtul, Scan, or Atra Gas Stove or Fireplace.

If you believe your Jøtul, Scan, or Atra Gas Stove or Fireplace is defective, you should contact your nearest authorized Jøtul, Scan, or Atra dealer, who will process a warranty claim. IN ORDER TO QUALIFY FOR WARRANTY COVERAGE, JØTUL MUST RECEIVE NOTICE OF A POSSIBLE DEFECT WITHIN SIXTY (60) DAYS OF THE DATE THE DEFECT IS FIRST DISCOVERED, OR REASONABLY COULD HAVE BEEN DISCOVERED.

This warranty is given by Jøtul North America, Inc.,
55 Hutcherson Drive, Gorham, Maine 04038 USA

This page is intentionally blank.

This page is intentionally blank.

This page is intentionally blank.

LIGHTING INSTRUCTIONS

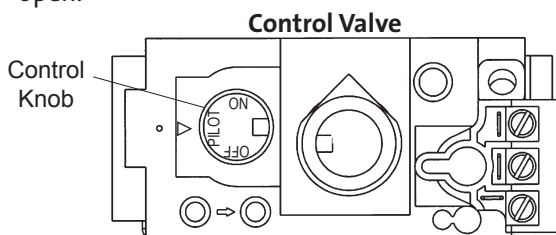
FOR YOUR SAFETY, READ BEFORE LIGHTING.


WARNING:
IF YOU DO NOT FOLLOW THESE INSTRUCTIONS EXACTLY, A FIRE OR EXPLOSION MAY RESULT CAUSING PROPERTY DAMAGE, PERSONAL INJURY, OR LOSS OF LIFE.

- A. This appliance has a pilot which must be lit by hand. When lighting the pilot, follow these instructions exactly.
- B. BEFORE LIGHTING, smell all around the appliance area for gas. Be sure to smell next to the floor because some gas is heavier than air and will settle to the floor.
- WHAT TO DO IF YOU SMELL GAS:
- Extinguish any open flame.
 - Open windows.
 - Do not light any appliance.
 - Do not touch any electrical switches.
 - Do not use any phone in your building.
 - Immediately call your gas supplier from a neighbor's phone.
- If your gas supplier cannot be reached, call the fire department.
- C. Use only your hand to push in or turn the gas control knob. Never use tools. If the knob will not push in or turn by hand, do not try to repair it. Call a qualified technician. Force or attempted repair may result in a fire or explosion.
- D. Do not use this appliance if any part has been under water. Immediately call a qualified service technician to inspect the appliance and to replace any part of the control system and any gas control which has been under water.

LIGHTING INSTRUCTIONS


1. STOP! Read the safety information above.
2. Access the lower controls.
3. Turn the stove ON/OFF switch to "OFF", or set the thermostat to lowest setting (if used).
4. Confirm that the gas supply line shut-off valve is open.

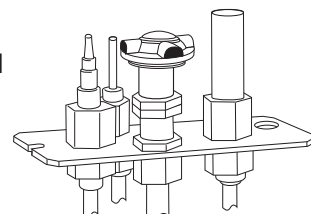


5. Push in gas control knob slightly and turn clockwise  to "OFF".


NOTE: Knob cannot be turned from "PILOT" to "OFF" unless the knob is pushed in slightly. Do not force.

6. Wait five (5) minutes to clear out any gas. If you then smell gas, STOP! Follow "B" in the safety information above on this page. If you do not smell gas, go to the next step.


7. Push in gas control knob slightly and turn counterclockwise  to "PILOT".
8. Push in control knob all the way and hold in. Immediately light the pilot by triggering the spark ignitor (push the red button repeatedly) until pilot lights. Continue to hold the control knob in for about one minute after the pilot lights. Release knob and it should spring back. The pilot should remain lit. If it goes out, repeat Steps 5 through 8.



Pilot Assembly

- If knob does not return when released, stop and immediately call your service technician or gas supplier.
 - If pilot will not stay lit after several tries, turn the control knob to OFF and call your service technician or gas supplier.
9. Turn gas control knob counterclockwise  to "ON".
 10. Turn the stove ON/OFF switch to "ON", or set thermostat (if used) to desired temperature.

TO TURN OFF GAS TO THE APPLIANCE:

1. Turn ON/OFF switch to "OFF". The pilot will remain lit for normal service.
2. For complete shutdown, turn ON/OFF switch to "OFF".
3. Access the lower controls.
4. Depress gas control knob slightly and turn clockwise  to "OFF". Do not force.

July 2010
138003-K

This appliance must be installed in conformance with local and national building regulations. Before beginning the installation, it is important that these instructions be carefully read and understood. Jøtul maintains a policy of continual product development. Consequently, products may differ in specification, color or type of accessories from those illustrated or described in various publications.

Jøtul vise sans cesse à améliorer ses produits. C'est pourquoi, il se réserve le droit de modifier les spécifications, couleurs et équipement sans avis préalable.



Jøtul AS
P.O. Box 1411
N-1602 Fredrikstad
Norway

Jøtul North America
55 Hutcherson Drive
Gorham, Maine 04038-2634