

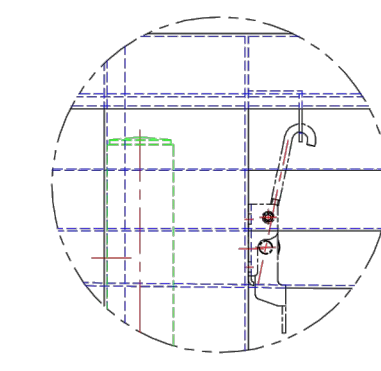
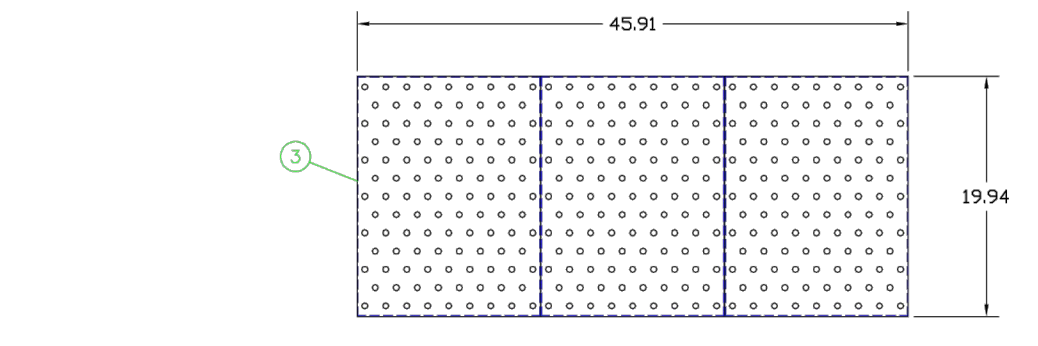
ITEM	QTY	TOT	DESCRIPTION	DRAWING NO.
1	1		BASE, STRYKER, WITHOUT TOP	R08027-1
2	1		DOWNDRAFT ANATOMY TABLE TOP	" -2
3	3		PERFORATED PANEL	" -3
4	1		MANUAL ADJUSTABLE HEIGHT ASSEMBLY	" -4

2.12 & 2.13  
(2) - QUANTITY / TABLE #2  
ROOMS - 317 & 318

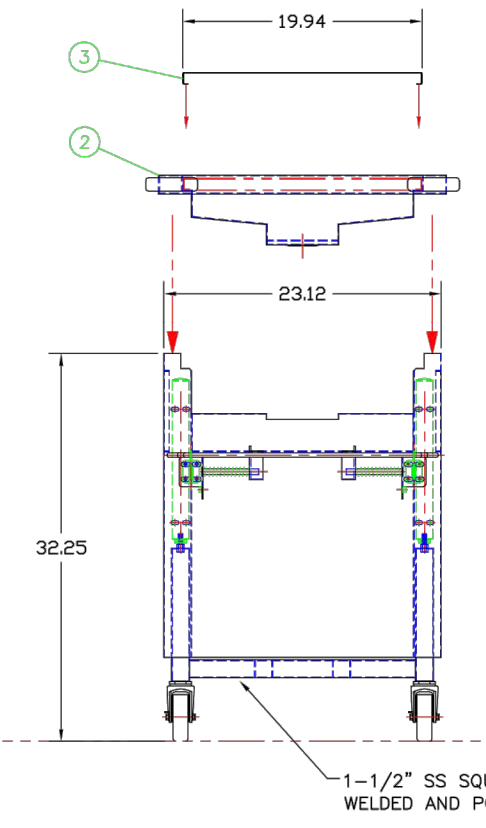
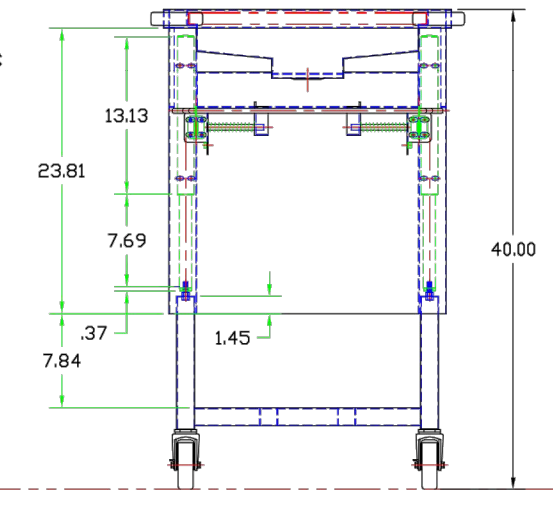
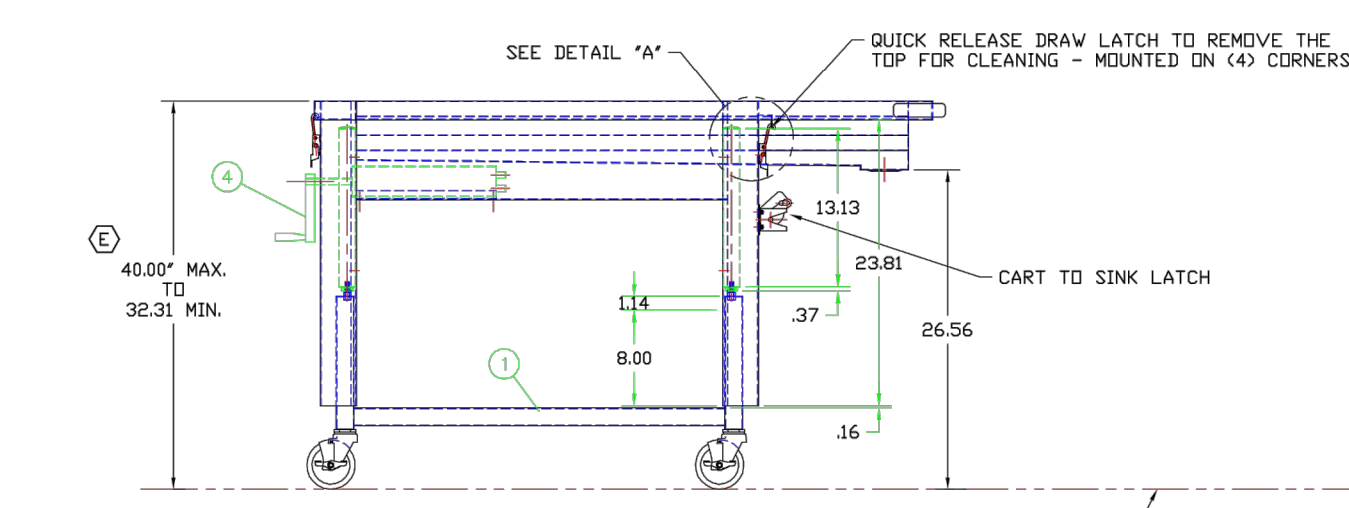
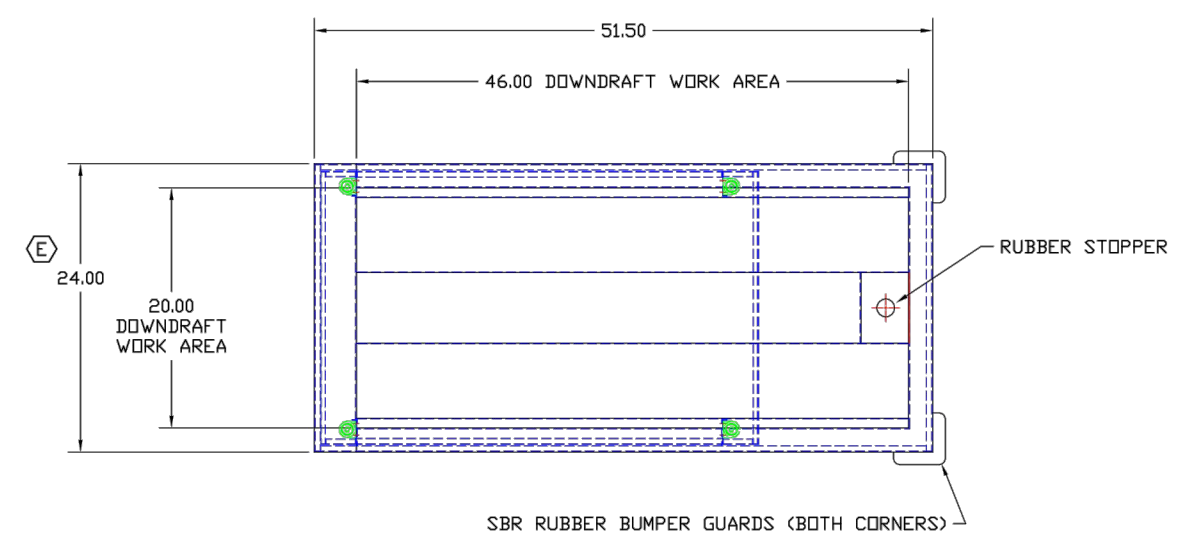
MATERIAL  
T316 S/S W/ #4 FINISH

APPROVED

PRINT NAME:  
DATE:  
SIGNATURE:

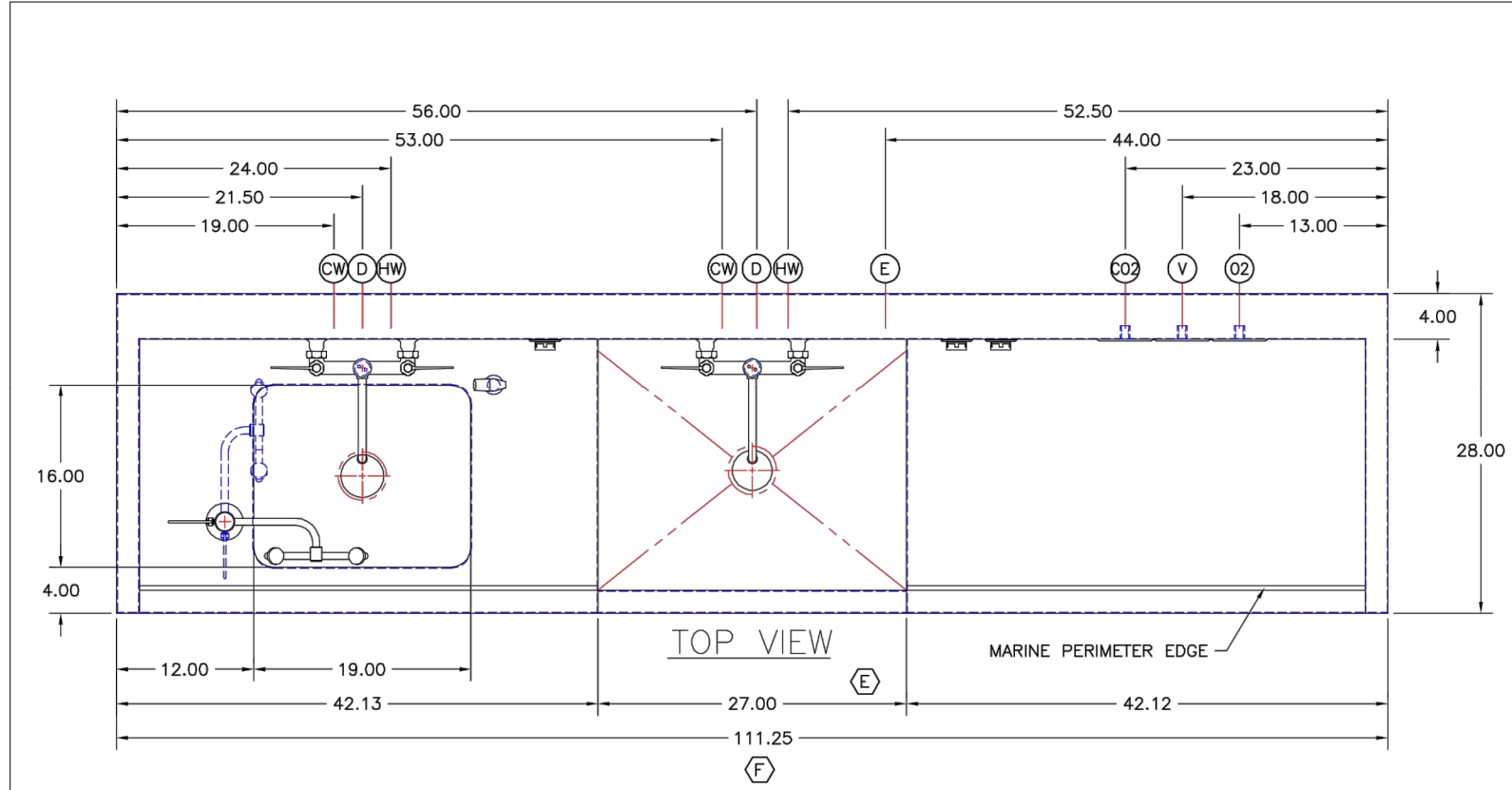


VIEW A  
SCALE: 6"=1'-0"



2 NECROPSY TABLE  
SCALE: 3/4" = 1'-0"

LET	REVISION	BY	DATE	DESCRIPTION
E	WIDTH WAS 36\"	DS	24-52	PDT-AH
D	REDIGED FOR \"NEW\" LIGHT SYSTEM	DS	24-52	PDT-AH
C	ADDED RUBBER BUMPER & CART LATCH	DS	24-52	PDT-AH
A	REDIGED TABLE PER CUSTOMER'S COMMENTS	DS	24-52	PDT-AH



- UTILITY REQUIREMENTS
- (E) ELECTRICAL - 115 V., 1 PH., 60 Hz., 30 AMP.
  - (CW) COLD WATER - (2) @ 1/2" I.P.S.
  - (HW) HOT WATER - (2) @ 1/2" I.P.S.
  - (D) DRAIN - (2) @ 1-1/2" NPT
  - (CO2) CARBON DIOXIDE - 3/8" I.P.S.
  - (O2) OXYGEN - 3/8" I.P.S.
  - (V) VACUUM - 3/8" I.P.S.

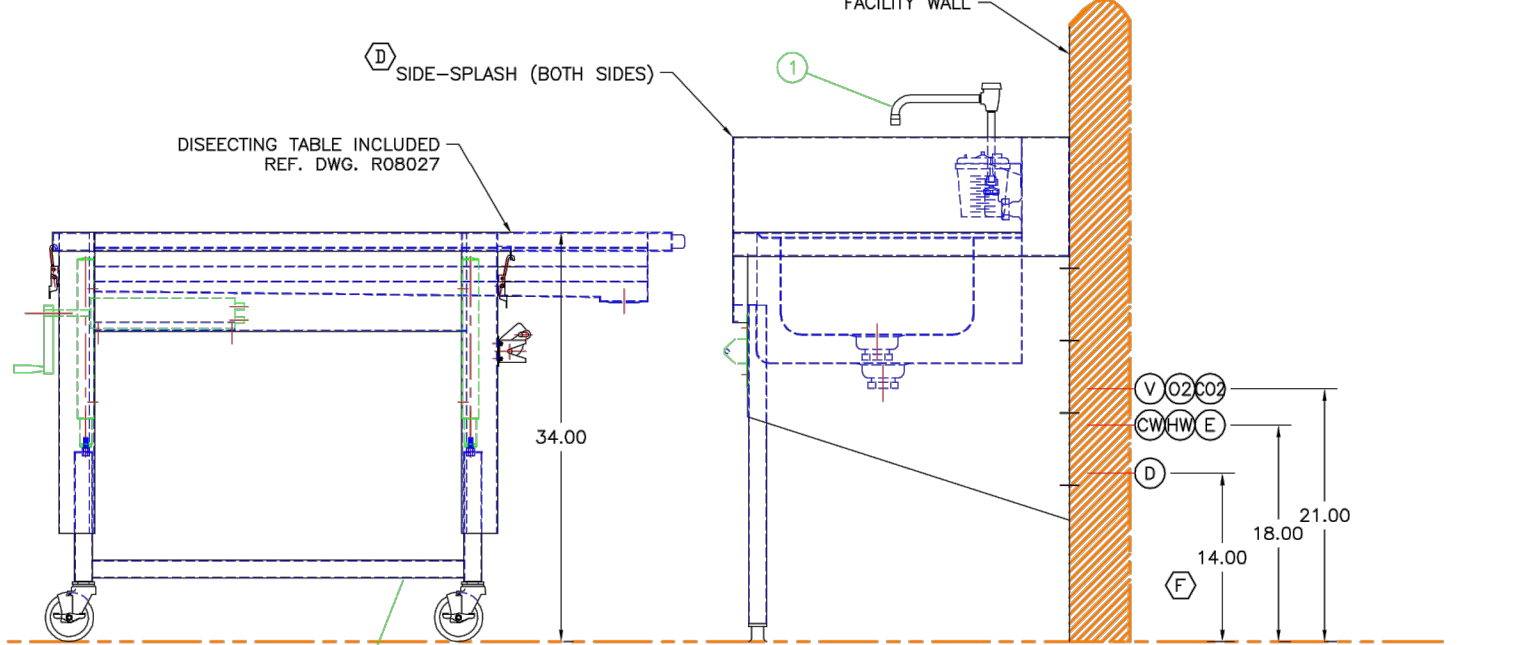
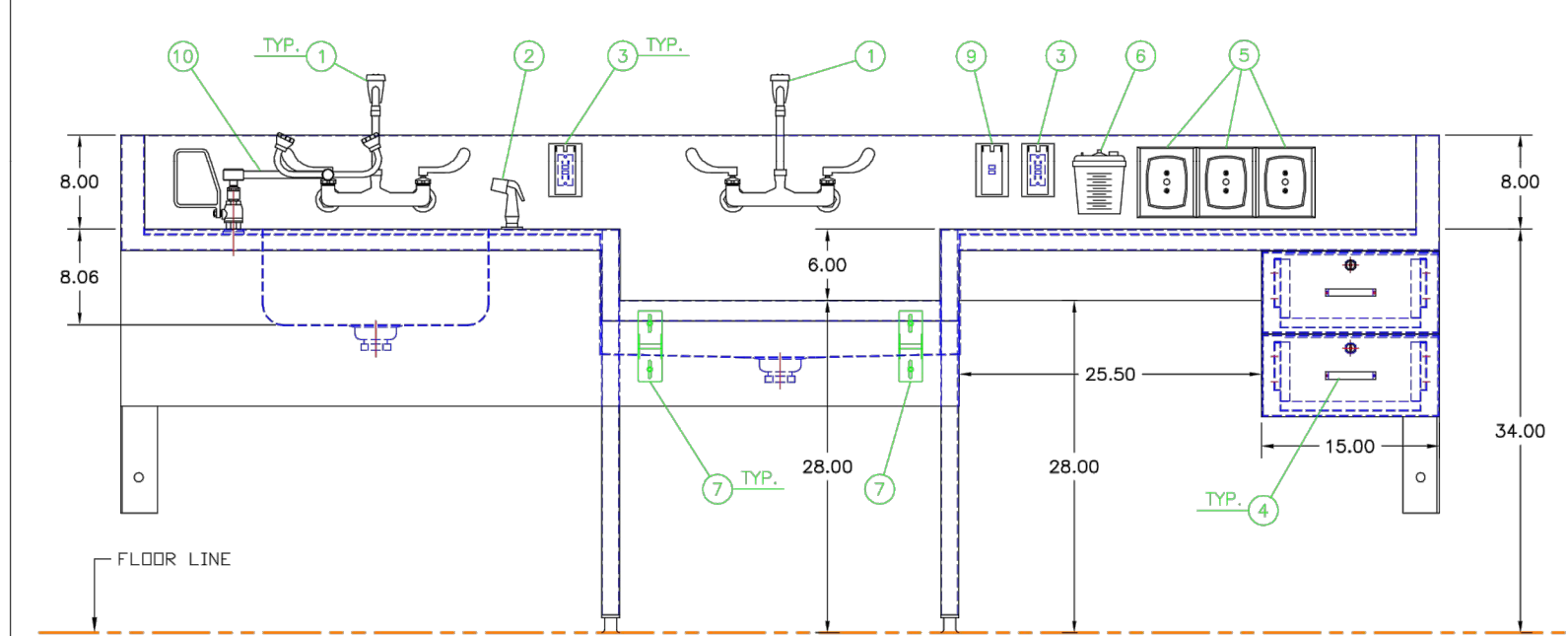
ITEM	QTY	DESCRIPTION
1	1	DISSECTING FAUCET WITH BUILT-IN VACUUM BREAKER & WRIST BLADE HANDLES
2	1	HAND SPRAY ASSEMBLY WITH RETRACTABLE HOSE
3	2	DIS VOLT ONLY, HOSPITAL GRADE GFCI RECEPTACLE (68005)
4	2	INSTRUMENT BRAYER w/ KEYS LOCK, 12" X 24" X 6" DP.
5	3	DISS MEDICAL GAS OUTLET - CHEMTRON 560 SERIES
6	1	DISPOSABLE VACUUM COLLECTION CANISTER
7	2	CART TO SINK LATCH
8	1	PORTABLE DD DISSECTING TABLE w/ ADJ. HT.
9	1	DATA OUTLET - MOUNTING HOLE PROVIDE, GFKTURE SUPPLIED BY OTHER
10	1	DECK MOUNTED EYE/FACE WASH - WATERSAVER FAUCET CO. WFE775

2.24 - TABLE #2  
(2) - QUANTITY / (1) LH & (1) RH  
ROOM - 317 & 318

APPROVED

PRINT NAME:  
DATE:  
SIGNATURE:

MATERIAL  
T316 S/S W/ #4 FINISH

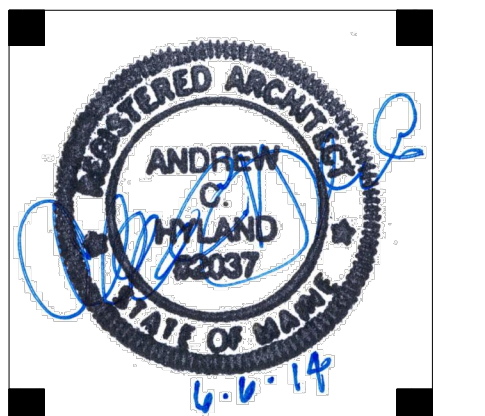


1 NECROPSY TABLE  
SCALE: 3/4" = 1'-0"

LET	REVISION	BY	DATE	DESCRIPTION
F	UPDATED OVERALL WITH UTILITIES FINAL LOCATIONS	DS	28-112-S LH	R08029
E	UPDATED FOR SMALLER DOCKING TABLE	DS	28-112-S LH	R08029
D	ADDED SIDE-SPLASHES TO BOTH ENDS	DS	28-112-S LH	R08029
C	UPDATED LABORATORY GAS LOCATIONS & ADDED A DIFFERENT RISK RATED EYE/FACE WASH	DS	28-112-S LH	R08029
B	UPDATED PER CUSTOMER'S REQUEST	DS	28-112-S LH	R08029



65 NEWBURY STREET  
PORTLAND, ME 04101  
207.761.9000



- PERMIT SET -

Biodiversity  
Portland,  
Maine

#	DATE	DESCRIPTION
-	-	-
-	-	-
-	-	-
-	-	-

Date Issued 06-06-2014  
Project Number 14101  
Drawing Scale AS NOTED

INTERIOR  
ELEVATIONS

Drawn By  
Checked By  
ACH, LAG

A-23