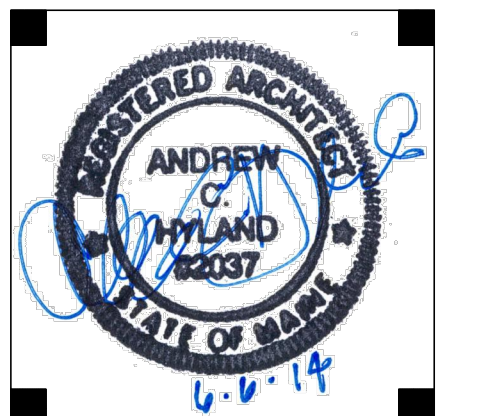
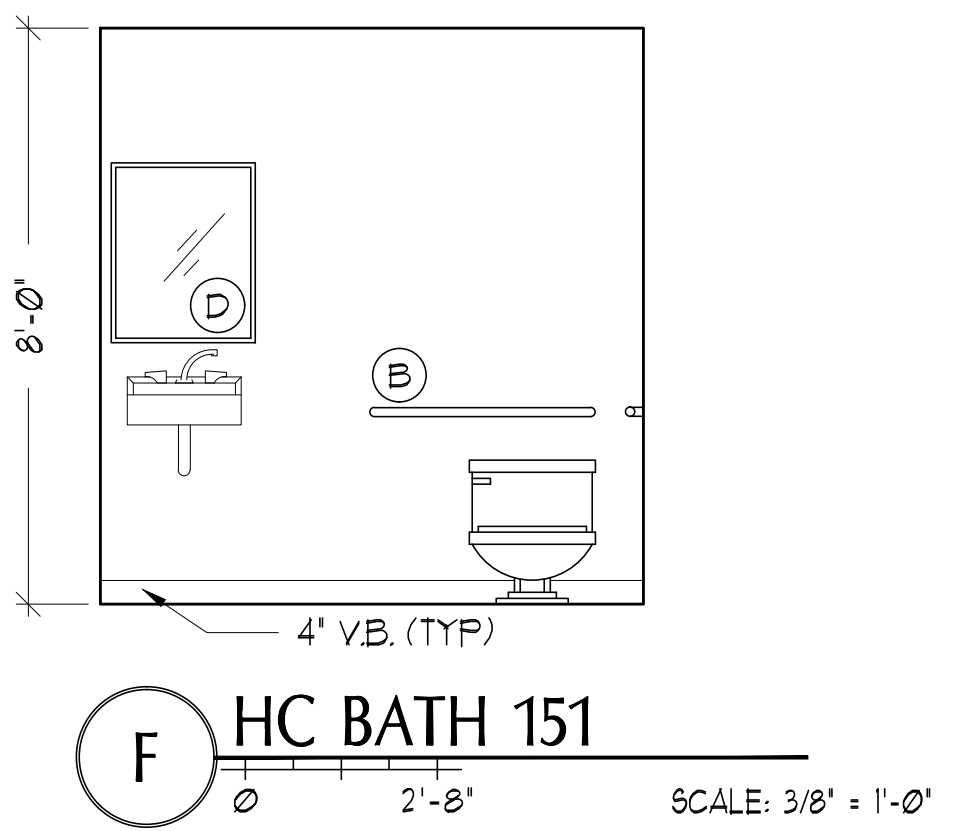
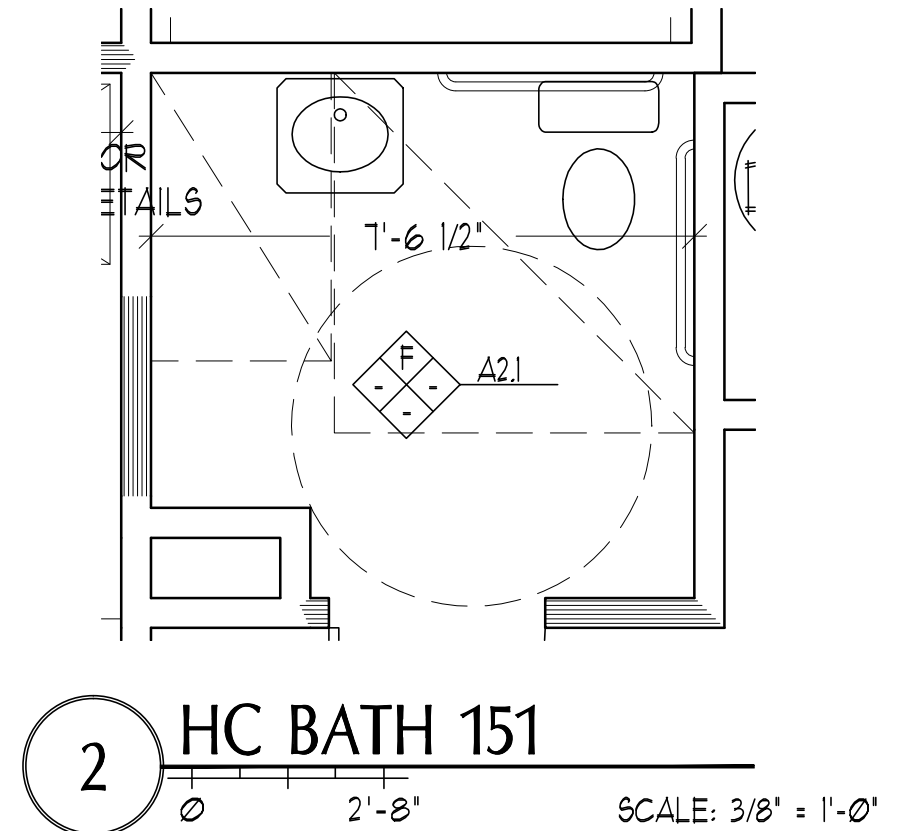
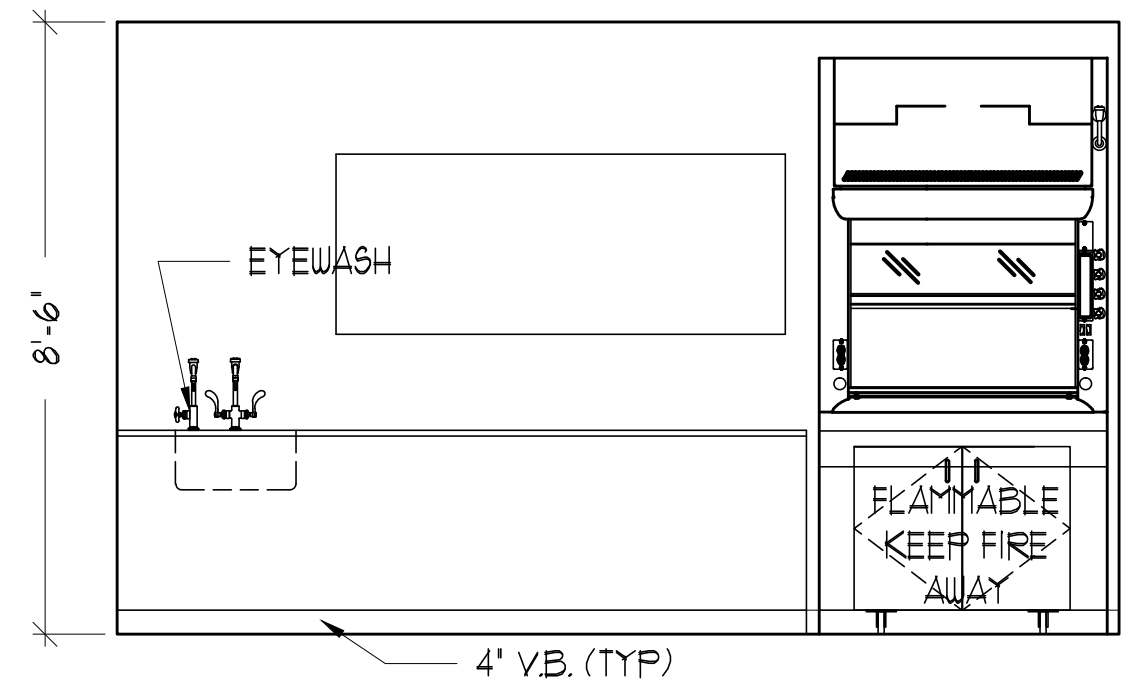
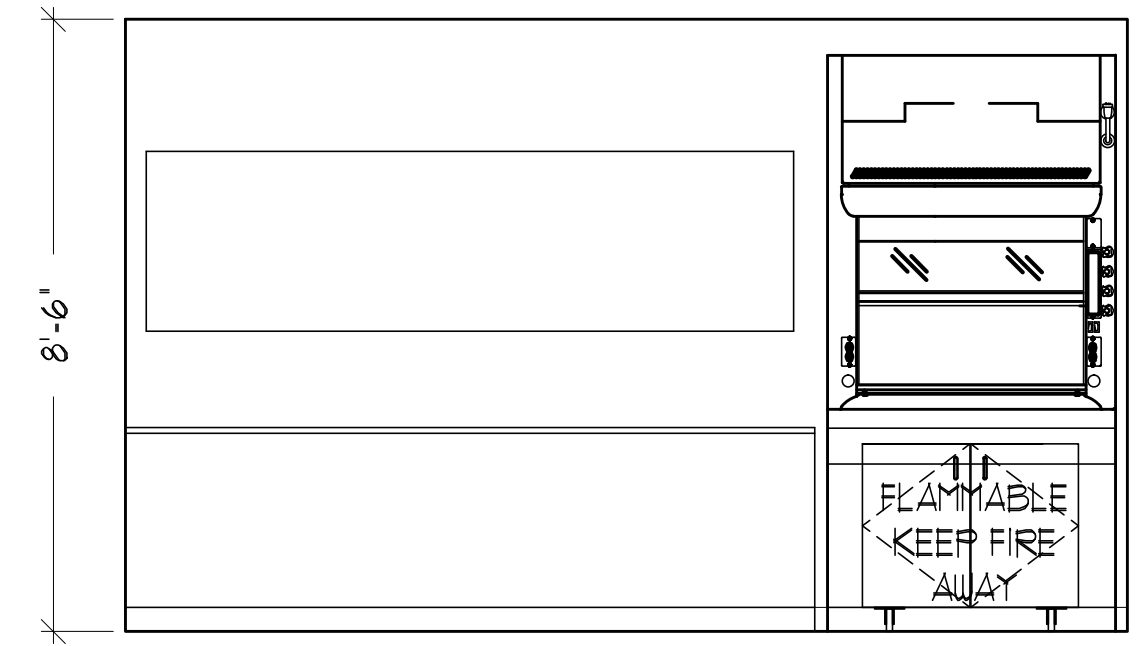
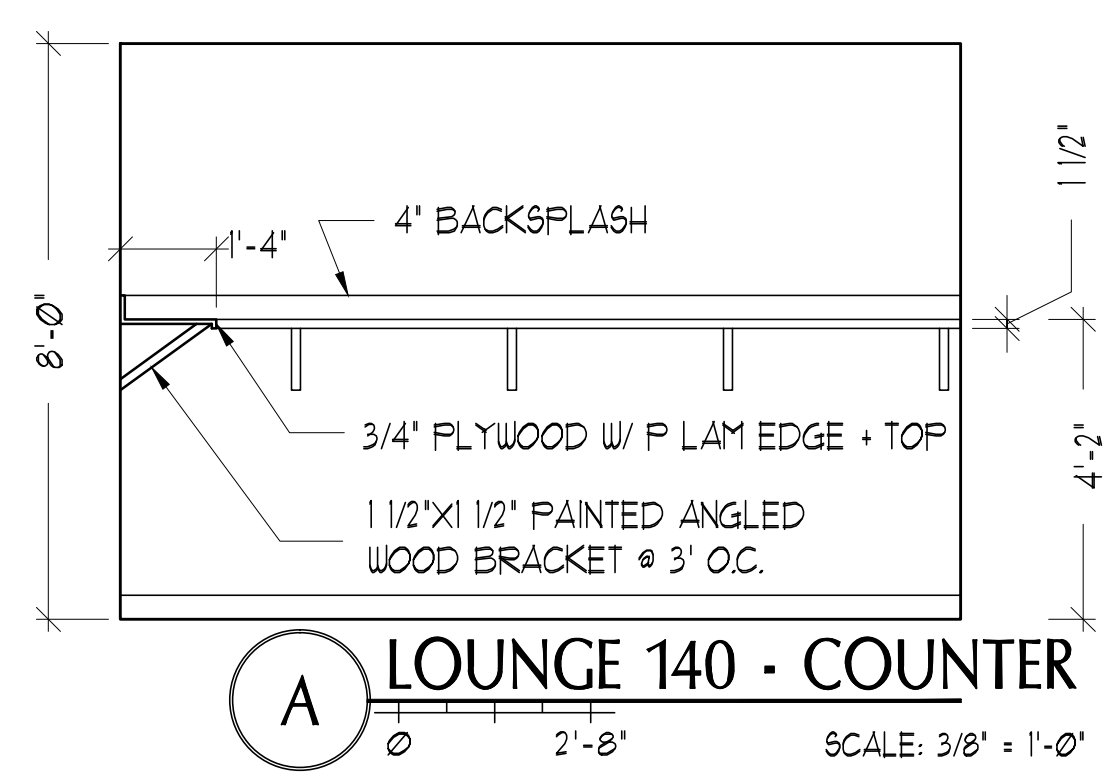


NOTE:
AT NECROPSY, PROVIDE VENTILATION. VENTILATION STACK MUST STOP MINIMUM 3'-0" ABOVE ROOF



- PERMIT SET -

**Biodiversity
Portland,
Maine**

#	DATE	DESCRIPTION
-	-	-
-	-	-
-	-	-
-	-	-

Date Issued	06-05-2014
Project Number	14101
Drawing Scale	AS NOTED

INTERIOR ELEVATIONS

Drawn By
Checked By
ACH, LAS

A-21