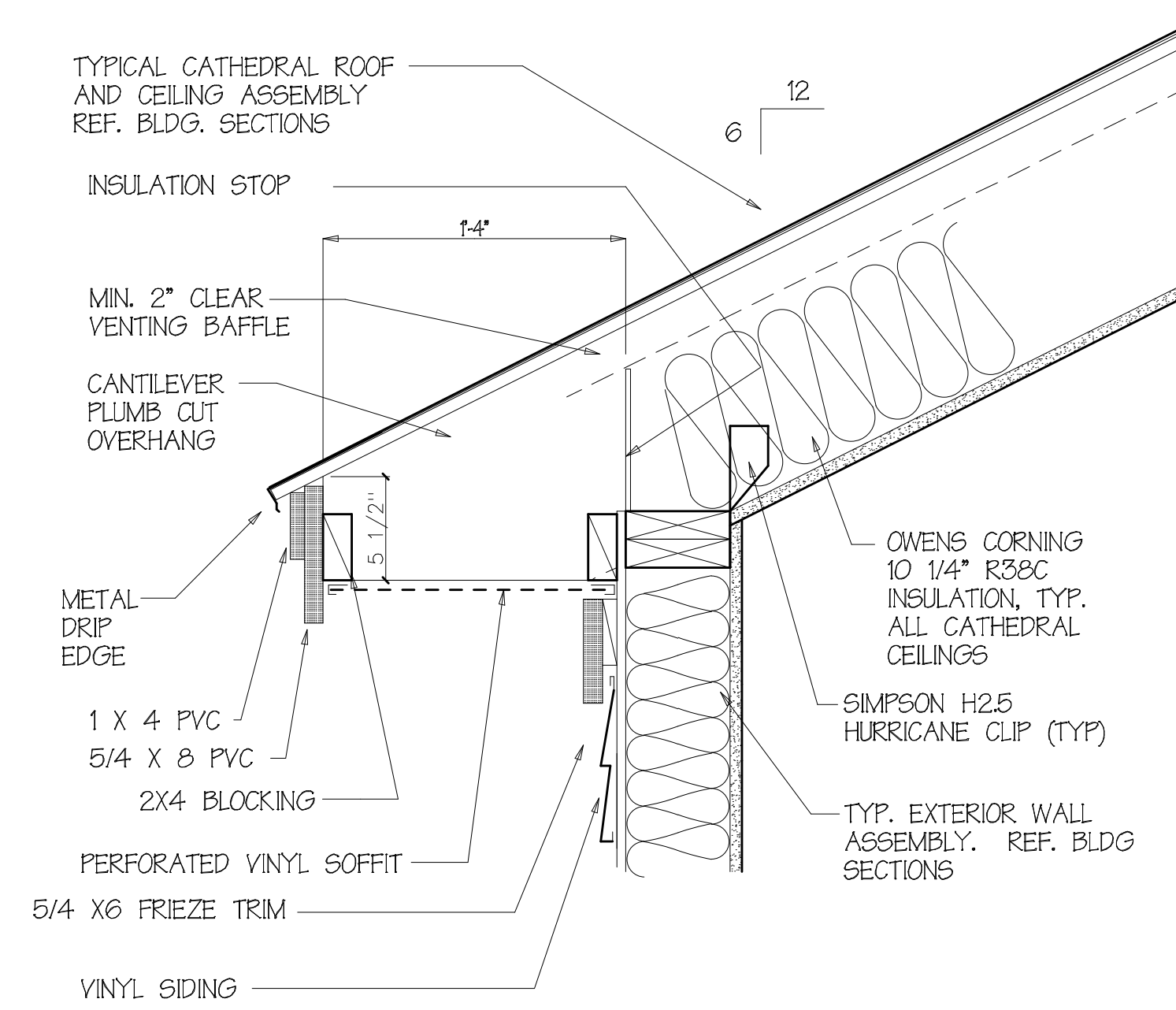


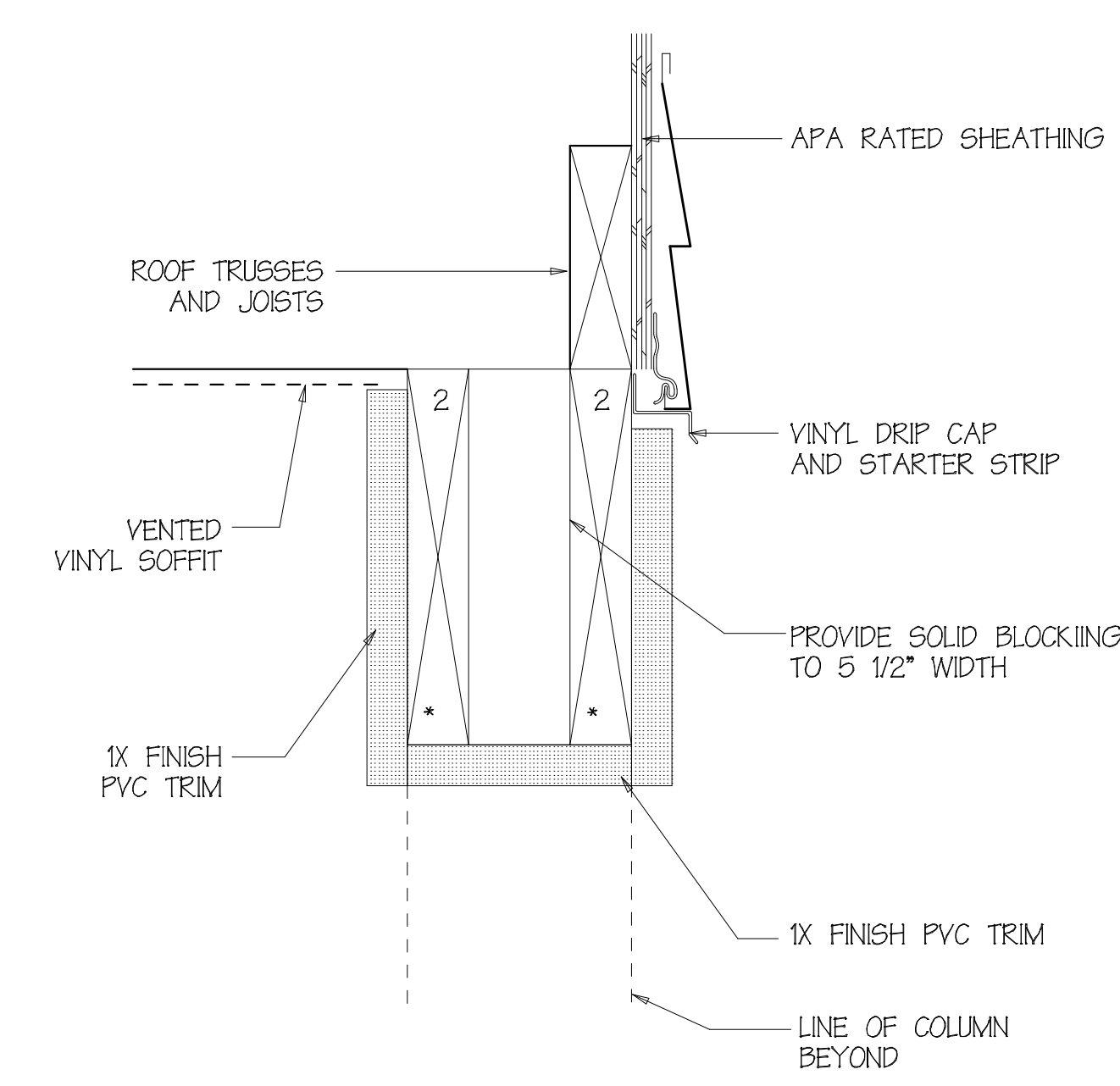
1 EAVE DETAIL

A7.1 Scale : 1 1/2" = 1'-0"



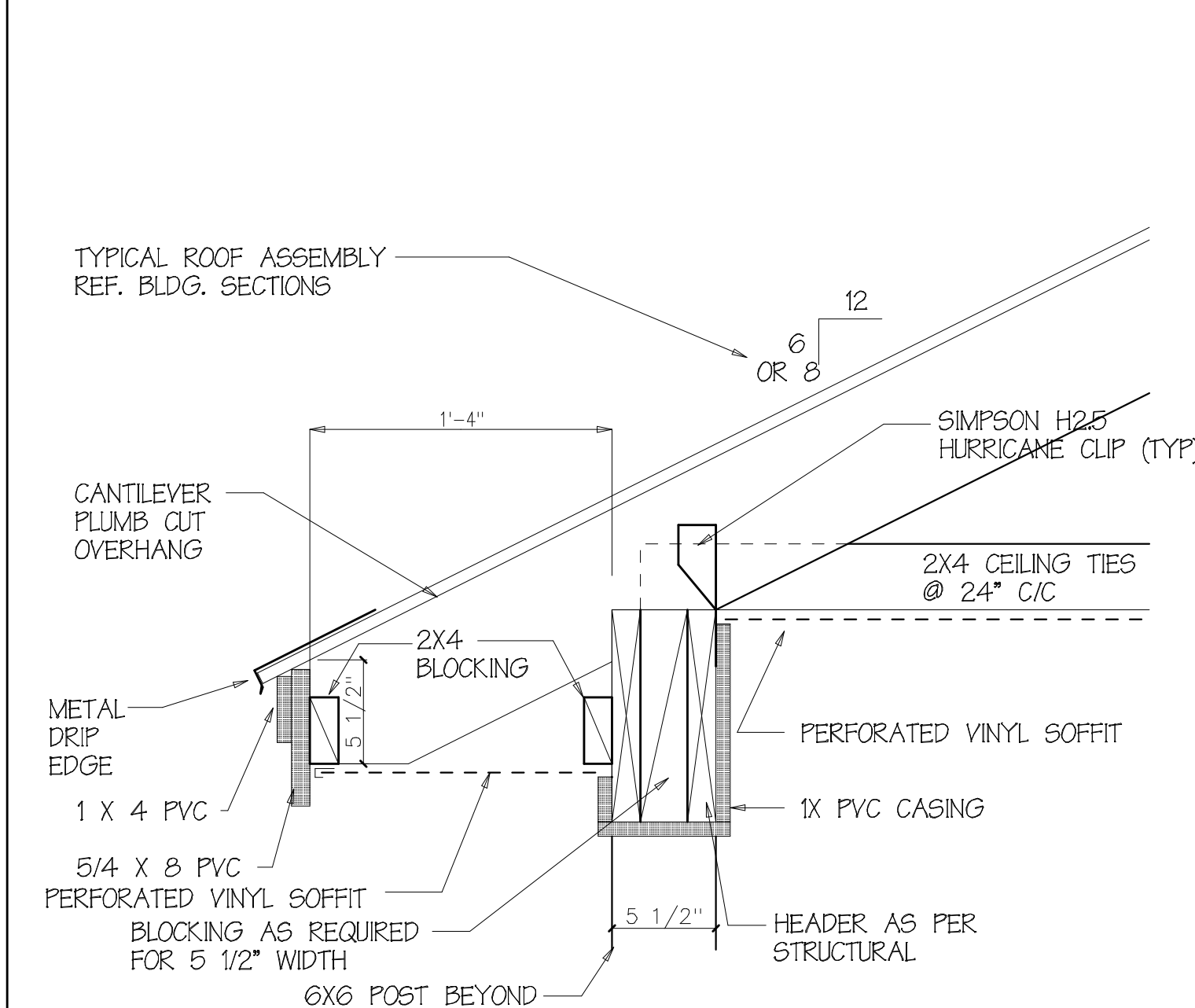
2 DETAIL @ CATHEDRAL EYE

A7.1 Scale : 1 1/2" = 1'-0"



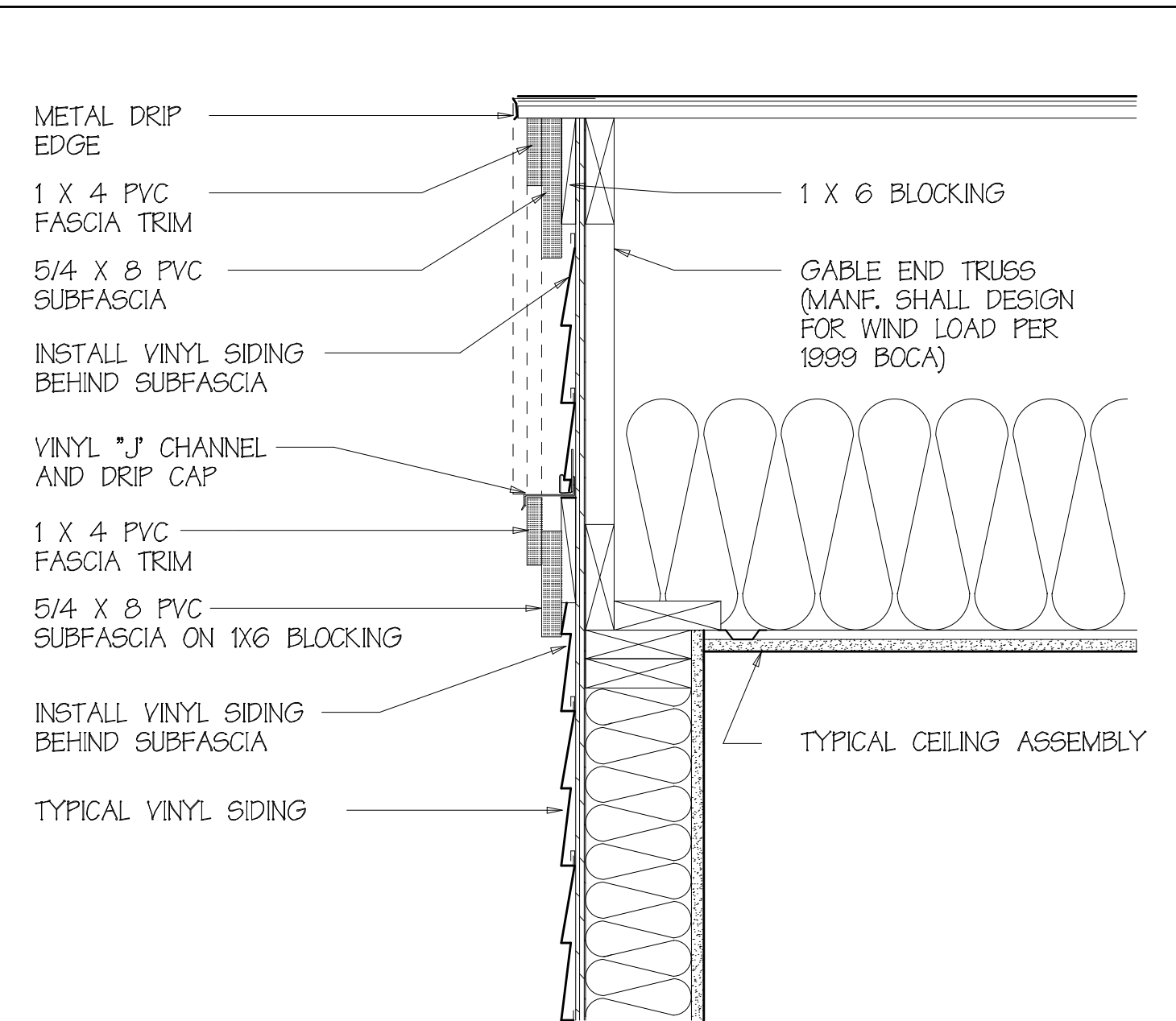
3 PORCH SOFFIT DETAIL

A7.1 Scale : 3" = 1'-0"



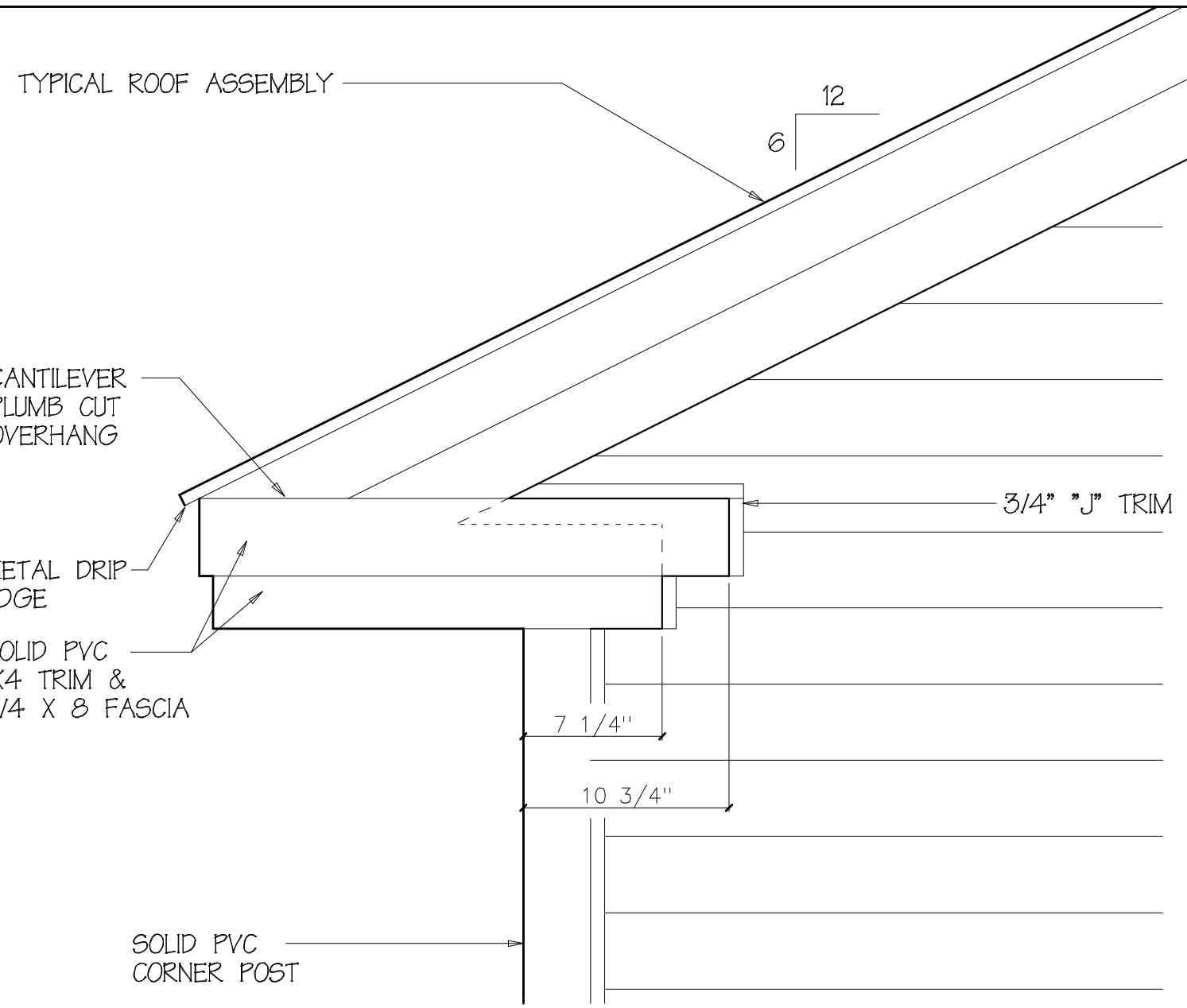
4 EAVE DETAIL @ PORCHES

A7.1 Scale : 1 1/2" = 1'-0"



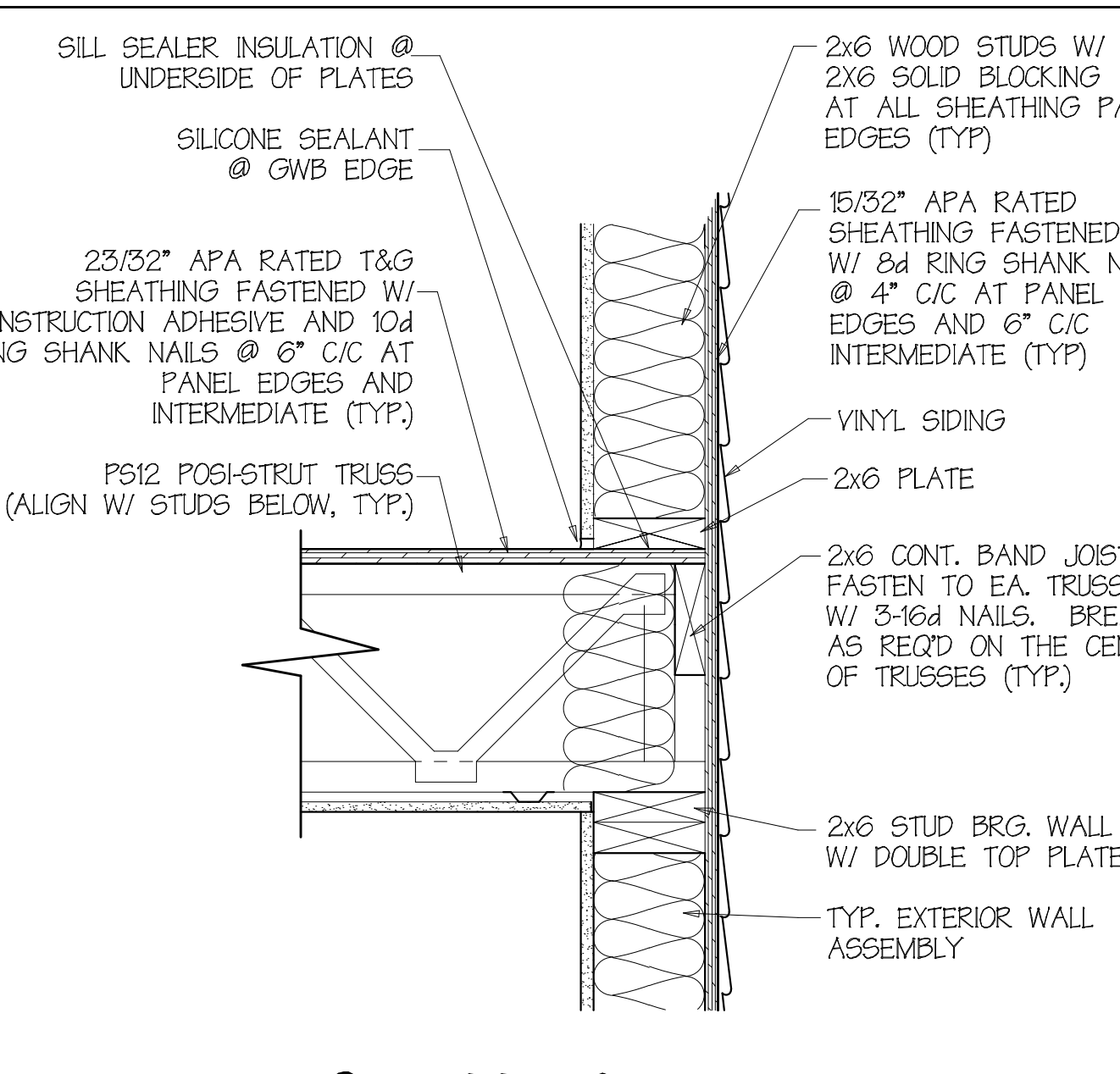
5 RAKE DETAIL

A7.1 Scale : 1 1/2" = 1'-0"



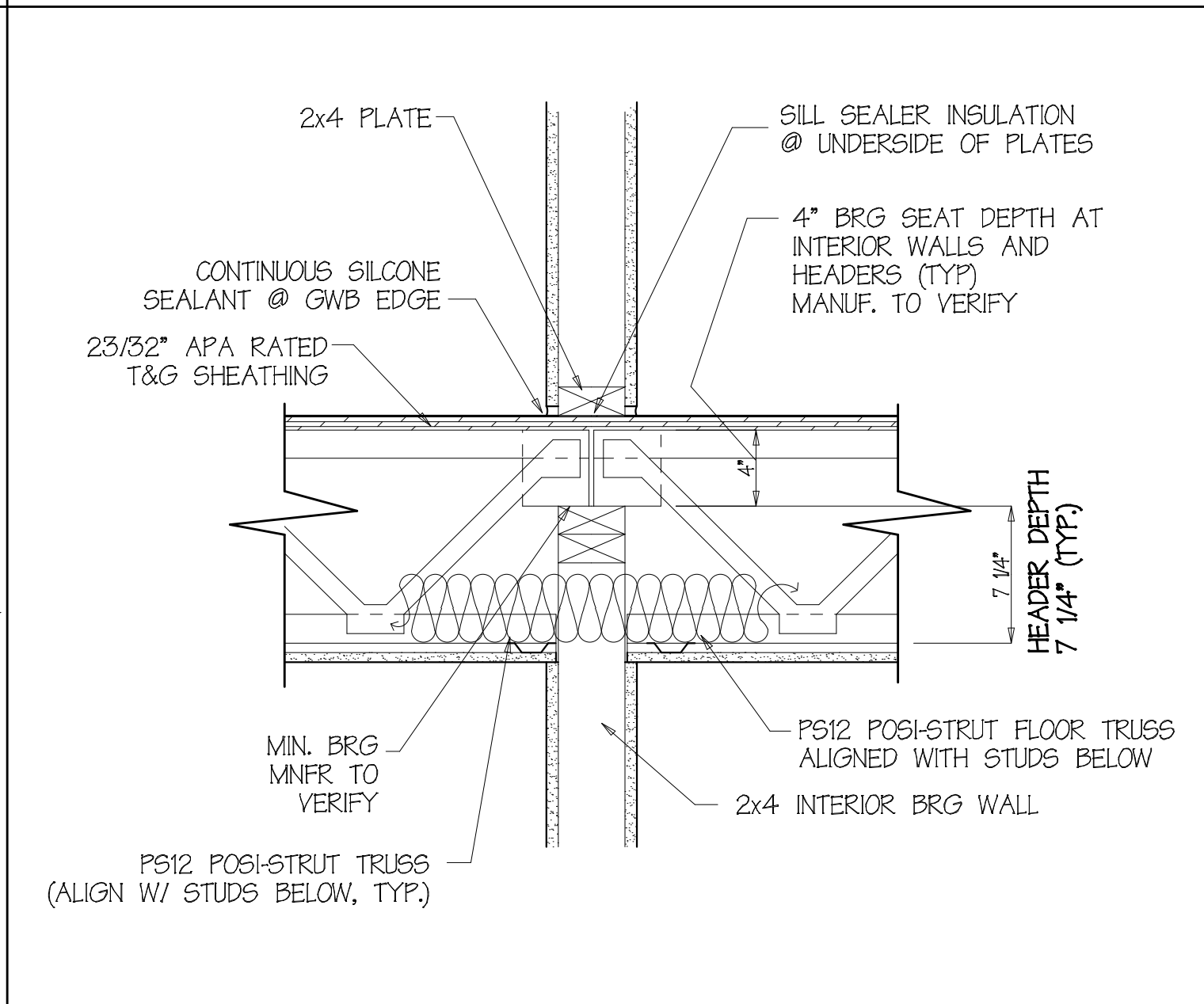
6 VINYL EAVE / RAKE / CORNERPOST

A7.1 Scale : 1 1/2" = 1'-0"



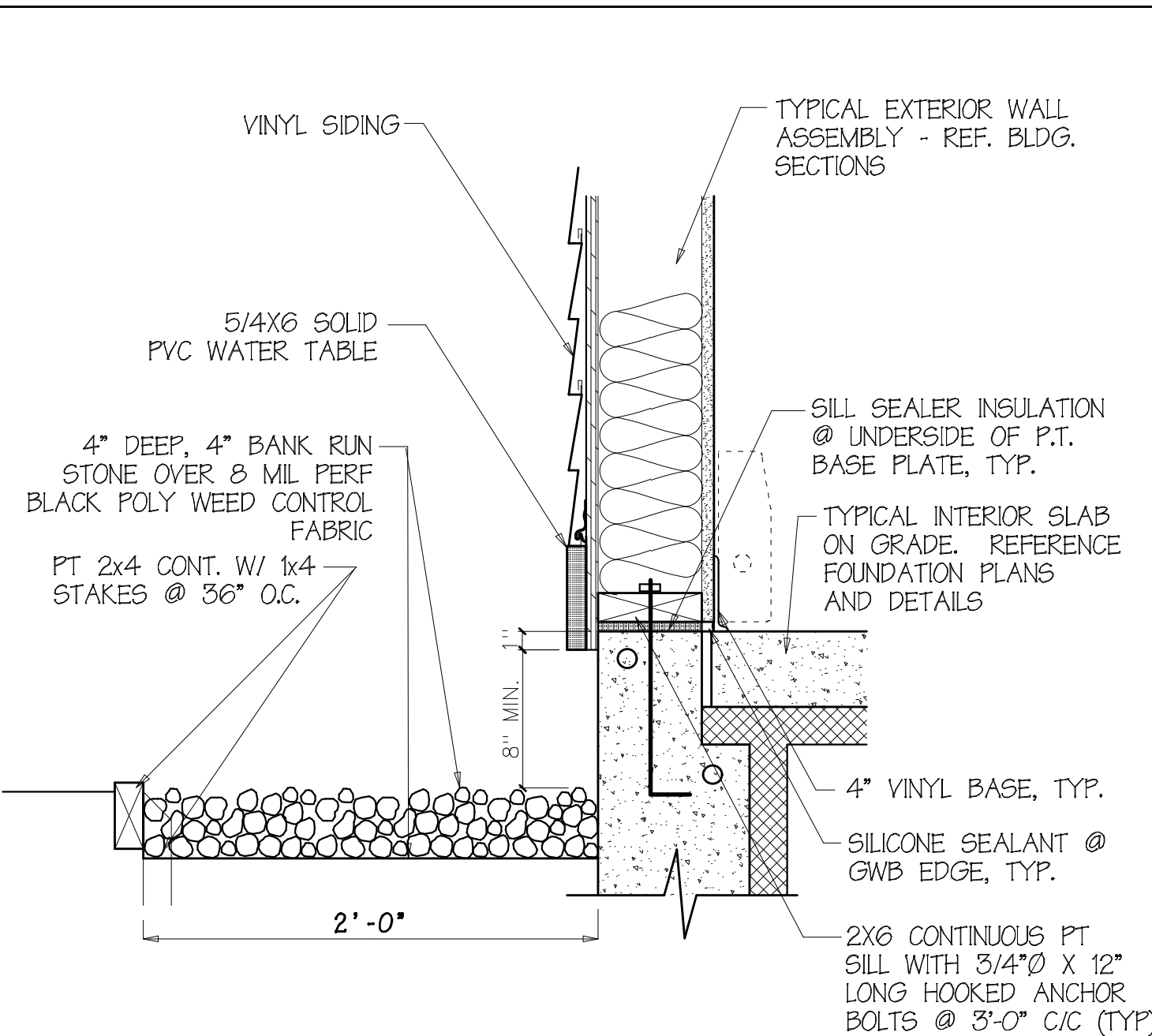
7 DETAIL @ FLOOR & EXTERIOR WALL CONNECTION

A7.1 Scale : 1 1/2" = 1'-0"



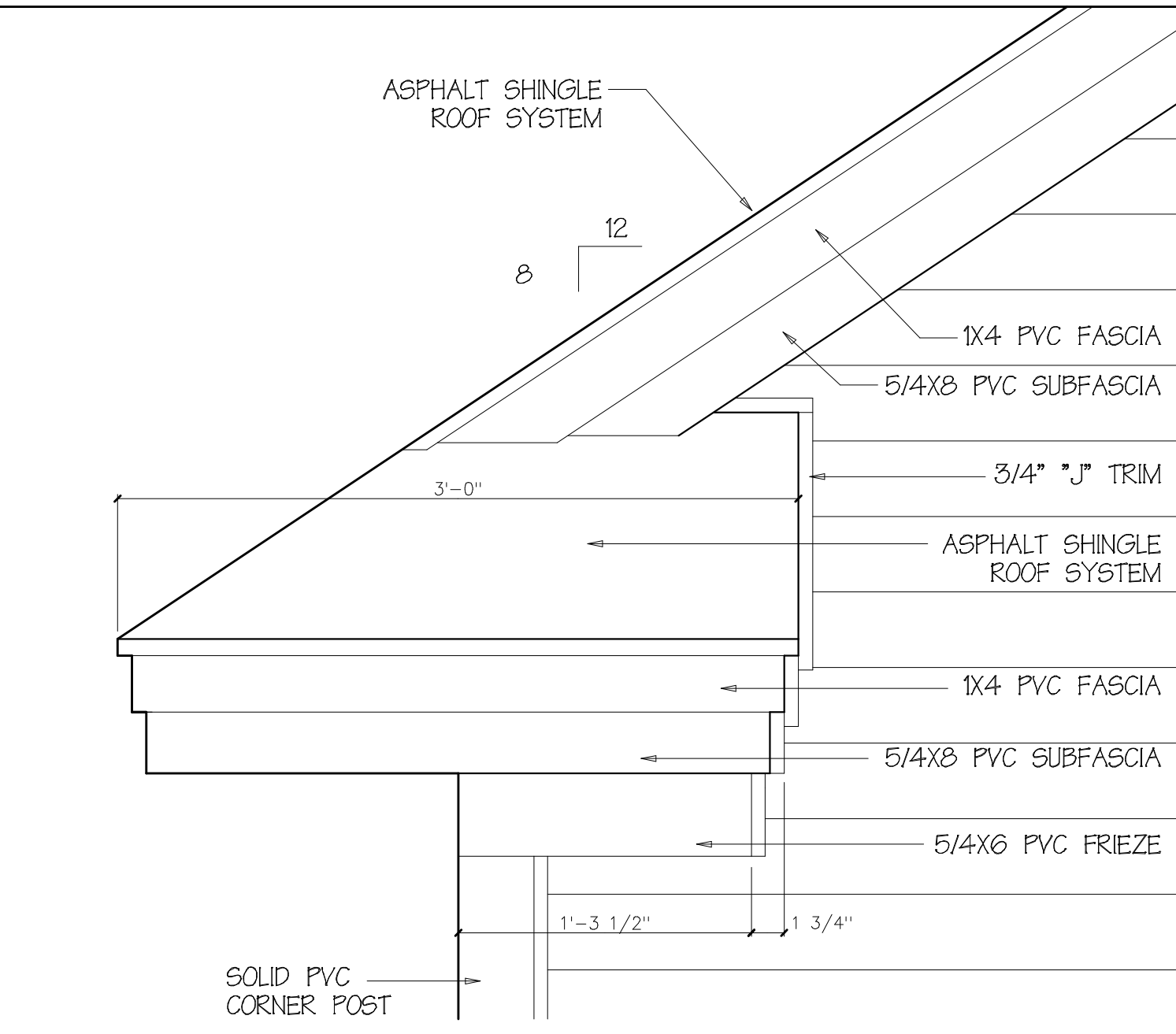
8 DETAIL @ INT. BEARING WALL

A7.1 Scale : 1 1/2" = 1'-0"



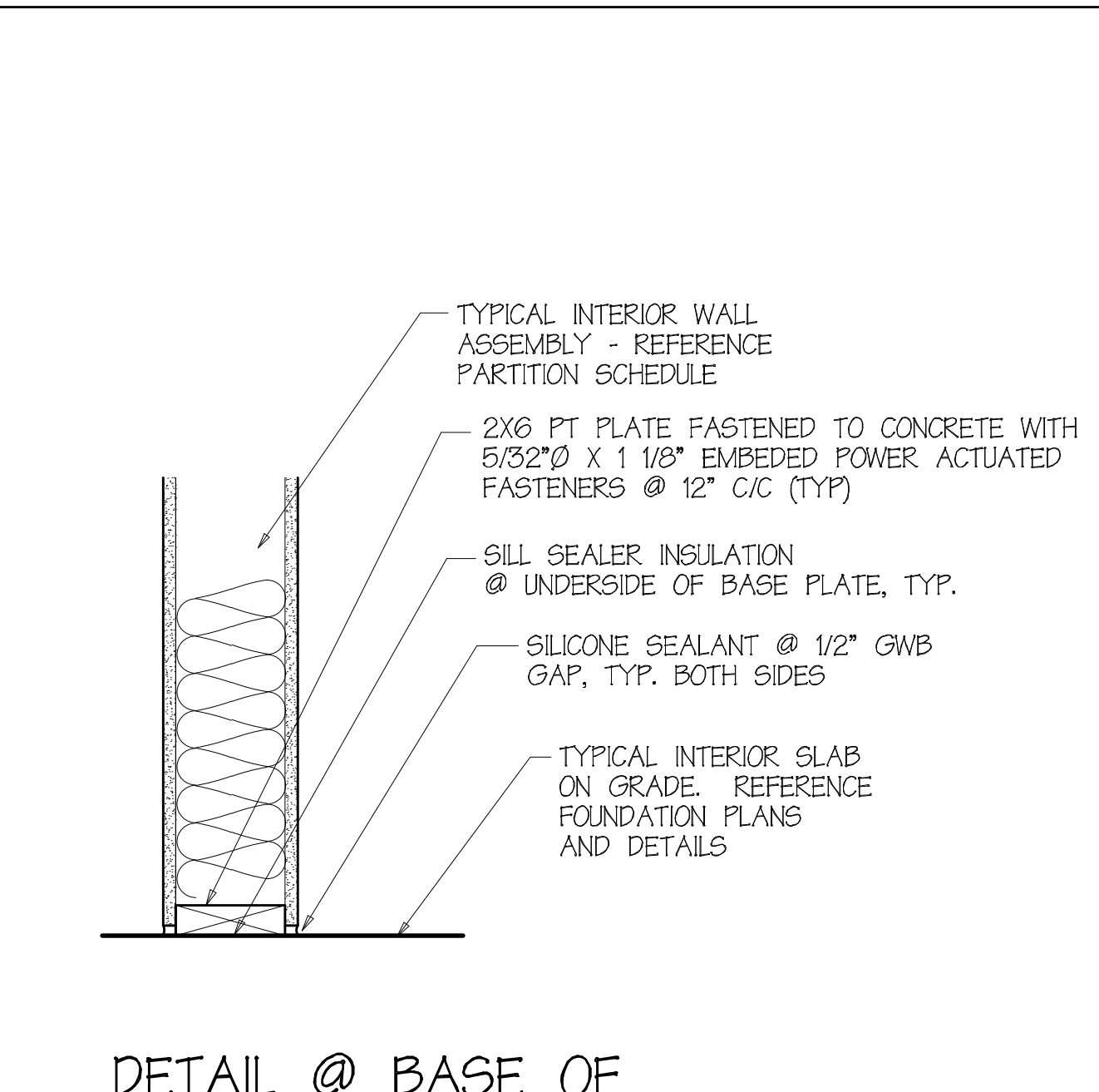
9 DETAIL @ DRIP STRIP

A7.1 Scale : 1 1/2" = 1'-0"



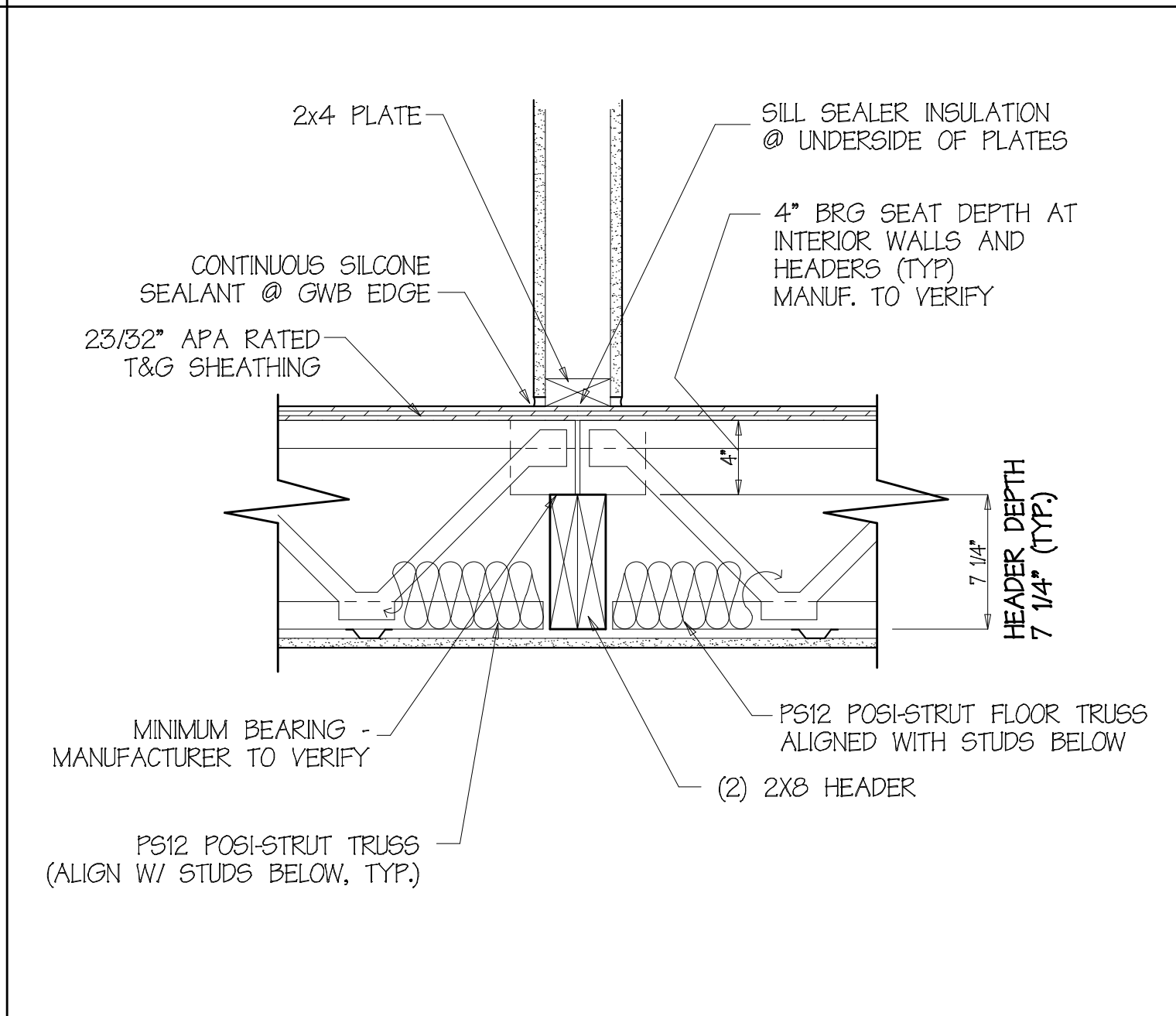
10 DOGEAR RAKE RETURN

A7.1 Scale : 1 1/2" = 1'-0"



11 DETAIL @ BASE OF TYP. INTERIOR WALL

A7.1 Scale : 1 1/2" = 1'-0"



12 DETAIL @ INT. BEARING HEADER

A7.1 Scale : 1 1/2" = 1'-0"

CWS

CWS Architects

Architecture
Space Planning
Value Design

434 Cumberland Avenue
Portland, ME 04101
Phone: (207)774-4441
Fax: (207)774-4016
www.CWSarch.com

Owner:

YALE COURT L.P.

C/O
Yale Court Development Company, LLC
Portland, ME

Contractor:

YALE COURT APARTMENTS

YALE STREET
PORTLAND, MAINE

Project No: 02.405 YSA

Drawing Title:

**TYPE DRAWING
TITLE HERE**

Scale: AS NOTED
Date: January 23, 2003
Revisions:

Drawing Number:

A7.1