



Gawron Turgeon ARCHITECTS
 29 Black Point Road
 Scarborough, Maine 04074
 www.gawronturgeon.com
 207-883-6307 tel 207-883-0361 fax

MAINE DEA
 312 CANCO ROAD
 PORTLAND, MAINE

REVISIONS		
#	DATE	DESCRIPTION

DATE:	05-07-13
PROJECT #:	040113
DRAWN BY:	DLP
CHECKED BY:	SWG
DRAWING SCALE:	AS NOTED

SHEET TITLE
 DOOR SCHEDULE
 DOOR & FRAME TYPES
 PARTIAL WALL SECTION

A800

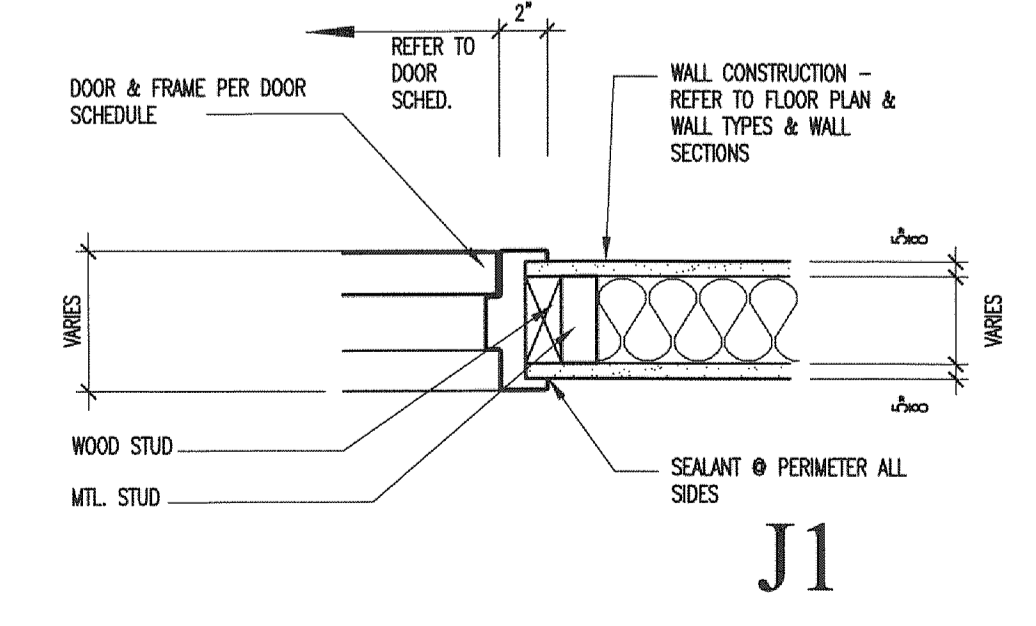
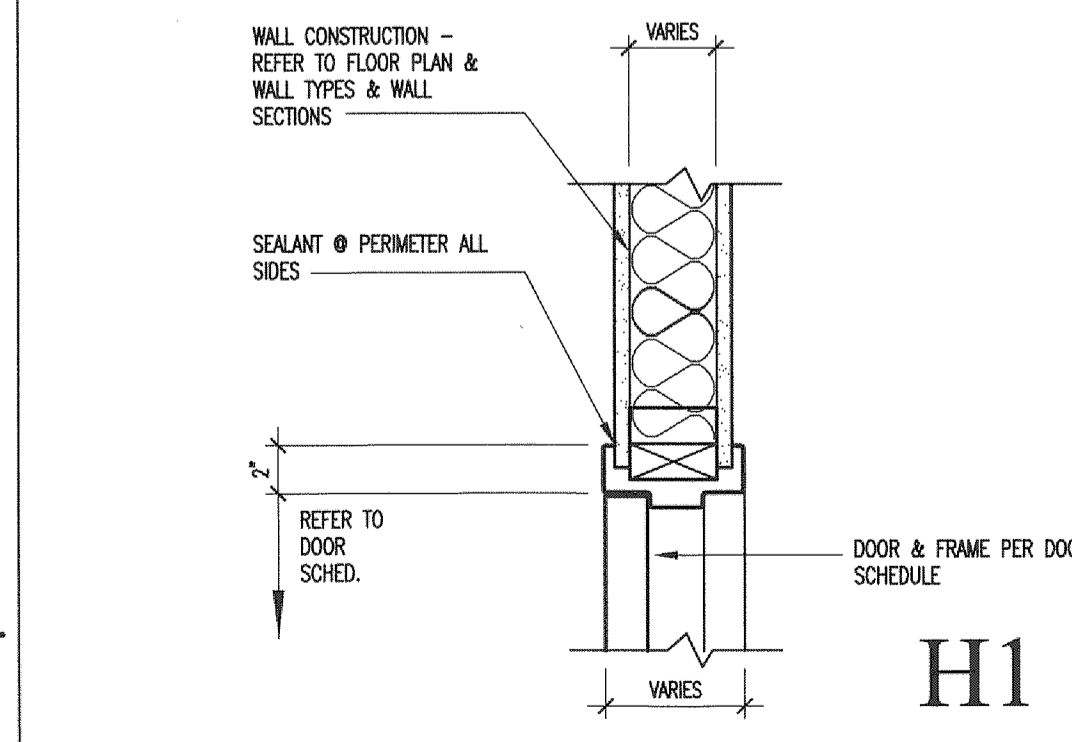
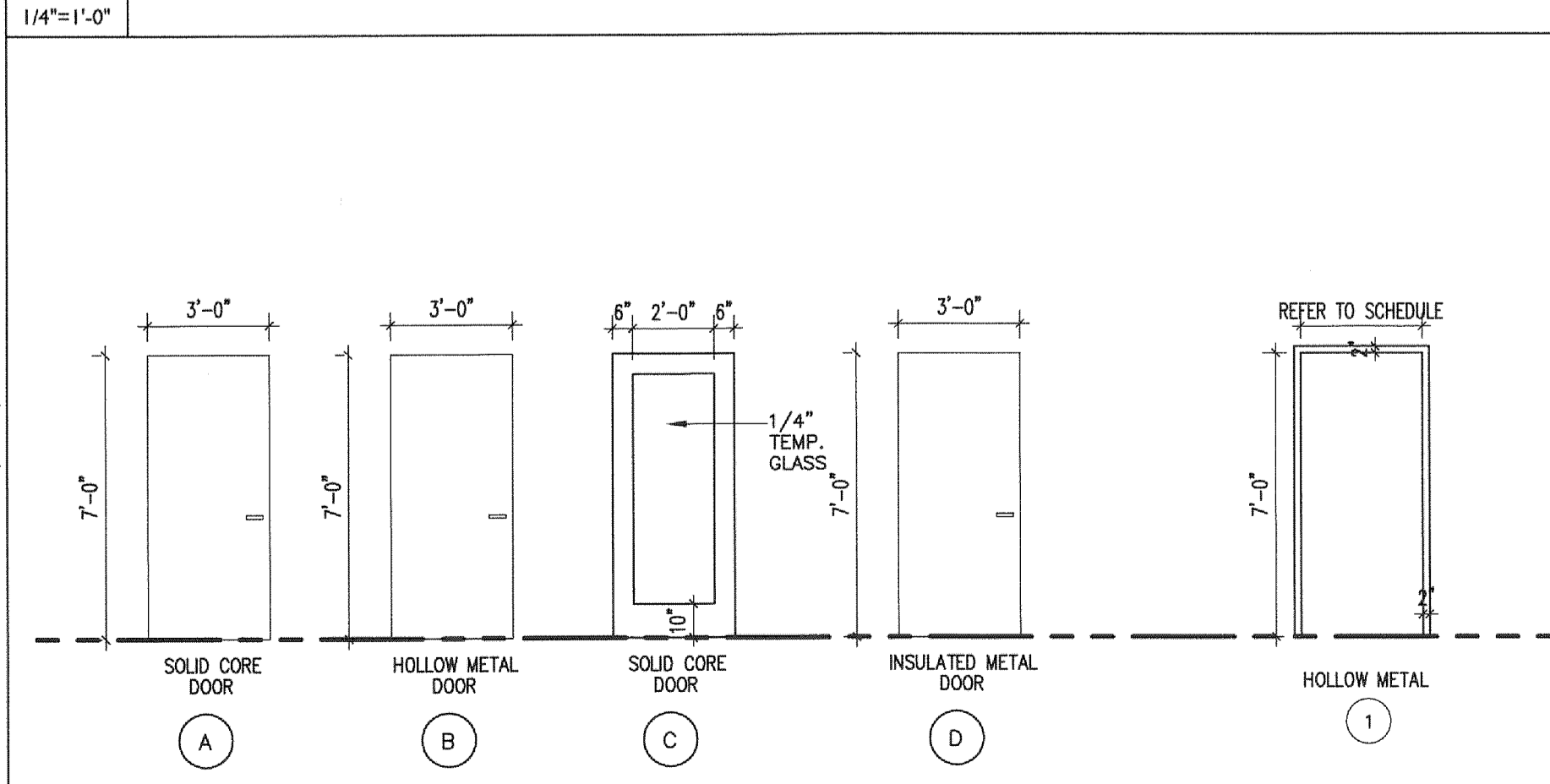
© COPYRIGHT 1985-2008
 REPRODUCTION OR USE OF THIS
 DOCUMENT WITHOUT WRITTEN
 PERMISSION OF GAWRON TURGEON
 ARCHITECTS IS PROHIBITED

DOOR SCHEDULE																		
DOOR SCHEDULE ABBREVIATIONS																		
EHO	ELECTRO. HOLD OPENER	NO	NUMBER	WD	WOOD (SOLID)													
HM	HOLLOW METAL	ES	ELECTRIC STRIKE	AL	ALUMINUM STOREFRONT	WG	WIRE GLASS											
INS	INSULATE	TEMP	TEMPERED	S	STAIN													
MTL	METAL	THK	THICKNESS	PTD	PAINT													
DOORS																		
NO	TYPE	SIZE	THK	HDWR SET	FINISH	MAT.	REMARKS	TYPE	MAT.	FRAMES		REMARKS	RATING	MAT.	THRESHOLD		NO	
										DETAILS/A800	DETAILS/B800				DETAILS/A800	DETAILS/B800		
										HEAD	JAMB				SILL	HEIGHT		
100A	ETR						TENANT SUPPLIED CARD SWIPE, ADA PUSH PAD											100A
100B	ETR						TENANT SUPPLIED CARD SWIPE											100B
101	C	3'-0"x7'-0"	1 3/4"		S	WD		1	HM	H1	J1							101
102A	A	3'-0"x7'-0"	1 3/4"		S	WD	INSTALL NUMERIC PUNCH PAD	1	HM	H1	J1							102A
102B	A	3'-0"x7'-0"	1 3/4"		S	WD	DOOR RELEASE - CONTROLLED AT RECEPTION AREA	1	HM	H1	J1							102B
103		NOT USED																103
104		NOT USED																104
105		NOT USED																105
106		NOT USED																106
107	A	3'-0"x7'-0"	1 3/4"		S	WD		1	HM	H1	J1							107
108A	A	3'-0"x7'-0"	1 3/4"		S	WD		1	HM	H1	J1							108A
108B	A	3'-0"x7'-0"	1 3/4"		S	WD	INSTALL NUMERIC PUNCH PAD	1	HM	H1	J1							108B
109		NOT USED																109
110		NOT USED																110
111	A	3'-0"x7'-0"	1 3/4"		S	WD		1	HM	H1	J1							111
112	A	3'-0"x7'-0"	1 3/4"		S	WD		1	HM	H1	J1							112
113	A	3'-0"x7'-0"	1 3/4"		S	WD		1	HM	H1	J1							113
114	A	3'-0"x7'-0"	1 3/4"		S	WD		1	HM	H1	J1							114
115	A	3'-0"x7'-0"	1 3/4"		S	WD		1	HM	H1	J1							115
116		NOT USED																116
117	A	3'-0"x7'-0"	1 3/4"		S	WD		1	HM	H1	J1							117
118	A	3'-0"x7'-0"	1 3/4"		S	WD		1	HM	H1	J1							118
119A	A	3'-0"x7'-0"	1 3/4"		S	WD	TENANT SUPPLIED CARD SWIPE	1	HM	H1	J1							119A
119B	D	3'-0"x7'-0"	1 3/4"		PTD.	HM	PANIC HARDWARE, WEATHERSTRIPPING, TENANT SUPPLIED CARD SWIPE	1	HM	H1 SIM.	J1 SIM.							119B
119C	B	(2) 3'-0"x7'-0"	1 3/4"		PTD.	HM		1	HM	H1 SIM.	J1 SIM.							119C
120		NOT USED																120
121A	D	3'-0"x7'-0"	1 3/4"		PTD.	HM	PANIC HARDWARE, TENANT SUPPLIED CARD SWIPE	1	HM	H1 SIM.	J1 SIM.							121A
121B	ETR																	121B
122	B	(2) 3'-0"x7'-0"	1 3/4"		PTD.	HM	INSTALL NUMERIC PUNCH PAD	1	HM	H1	J1							122
123	A	3'-0"x7'-0"	1 3/4"					1	HM	H1	J1							123

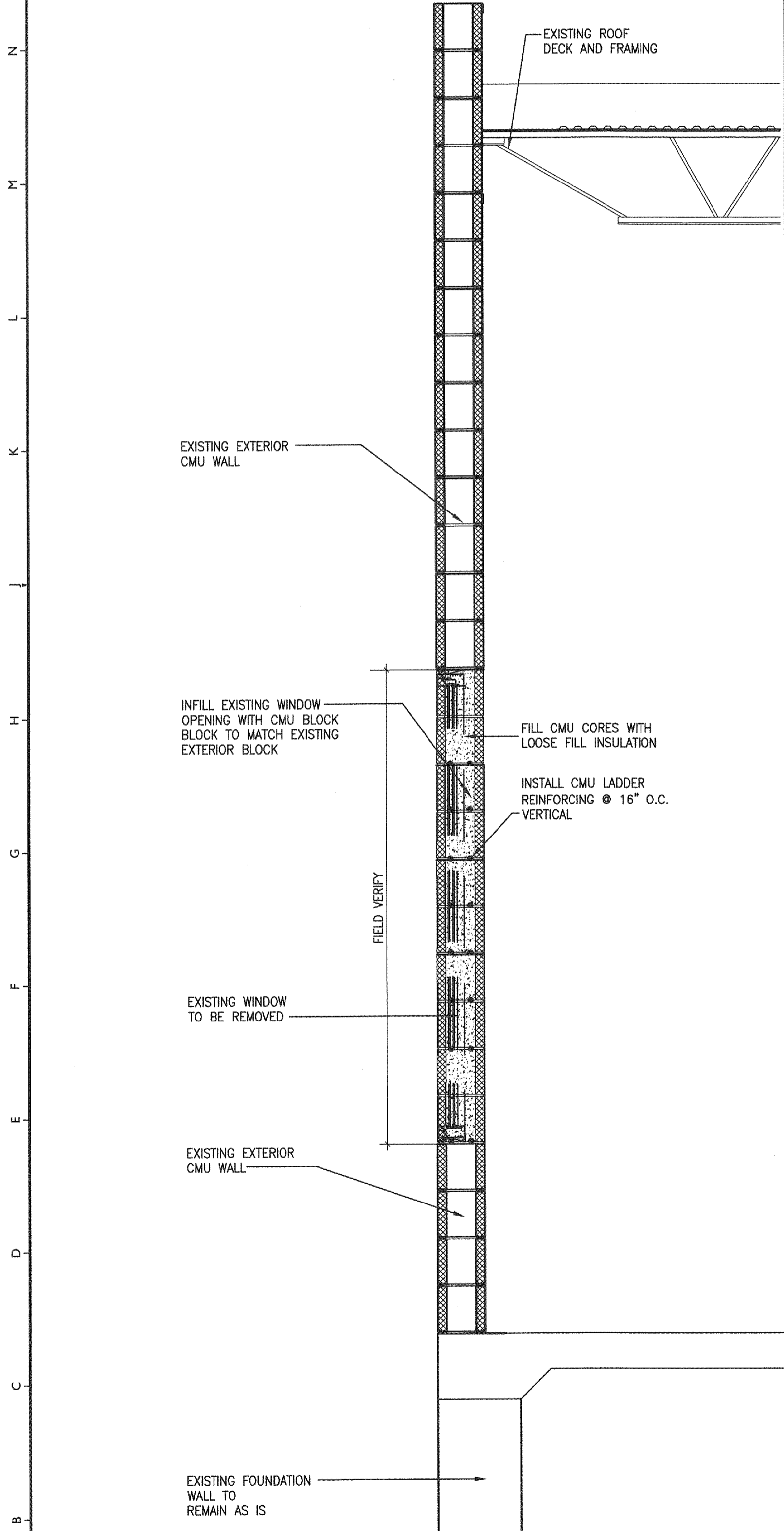
- ALL HARDWARE TO BE US26D FINISH - W/ LEVER TYPE HANDLE, MORTISED, COMMERCIAL-GRADE UNITS. LOCK SETS MUST BE MASTER KEYED.
- PROVIDE BLOCKING FOR ALL HARDWARE
- ALL EXISTING RATED DOORS NEED TO MEET CODE. G.C. TO REVIEW QUALITY AND INTEGRITY OF DOORS PRIOR TO ORDERING.
- PAINT ALL HOLLOW METAL FRAMES P1.
- ALL HARDWARE TO MEET STATE OF MAINE SPECIFICATIONS.

F12 DOOR SCHEDULE

E6 WINDOW TYPE



A12 HEAD AND JAMB DETAILS



A1 PARTIAL WALL SECTION

A6 DOOR AND FRAME TYPES