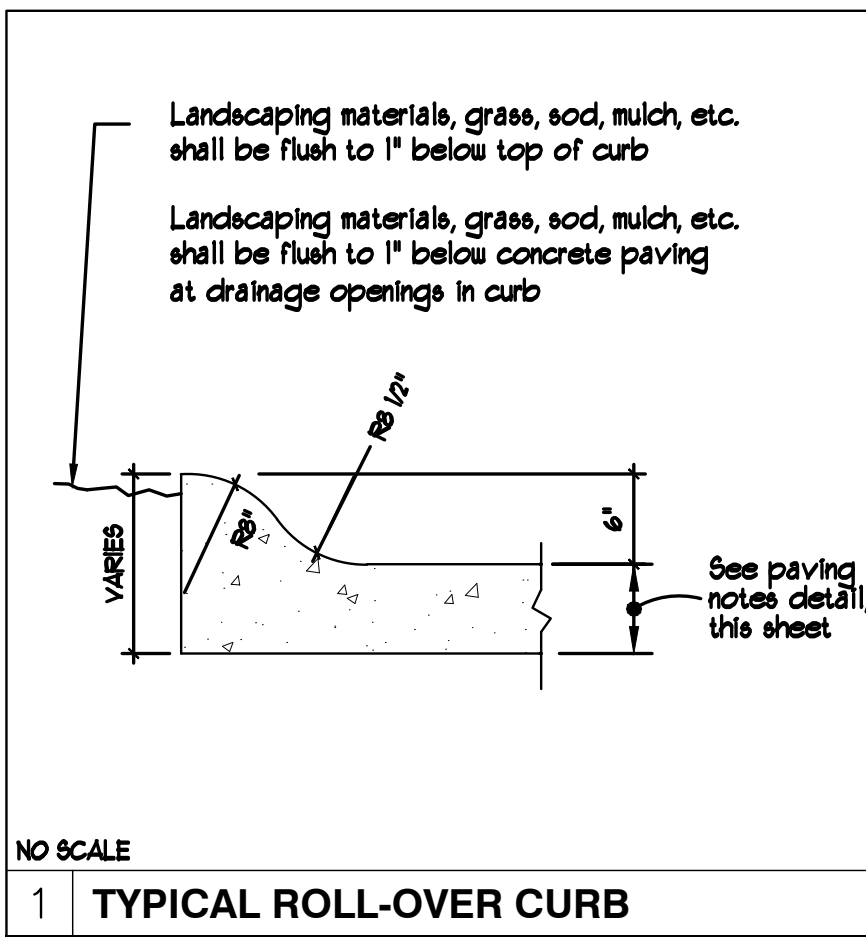
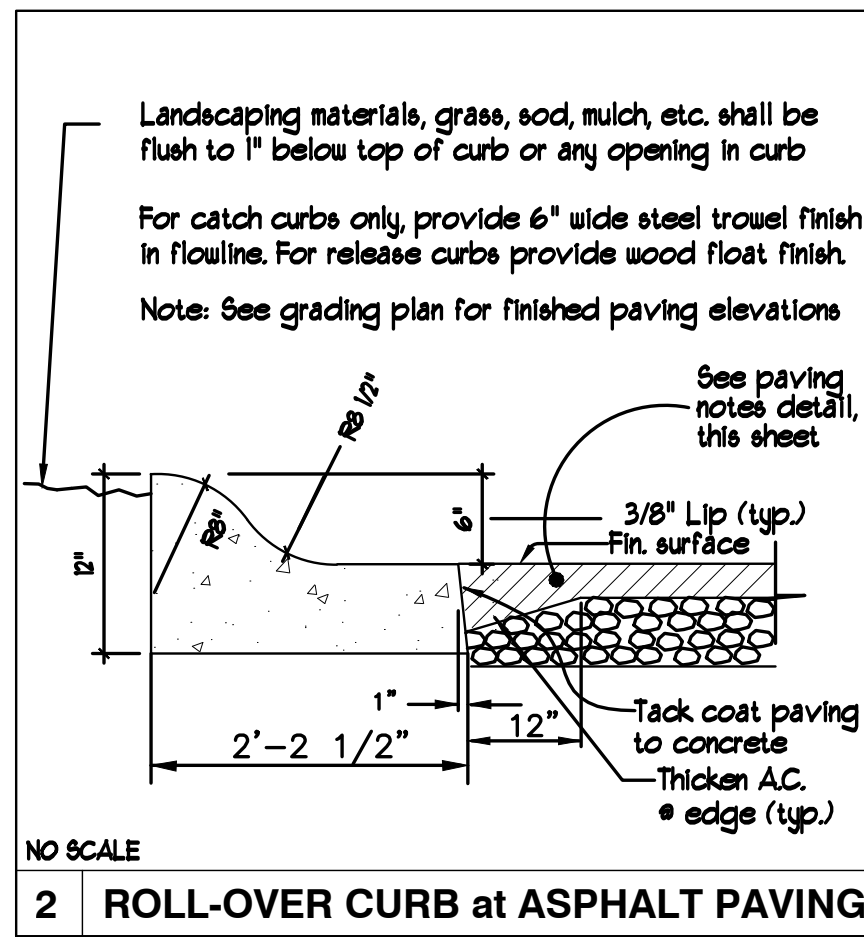


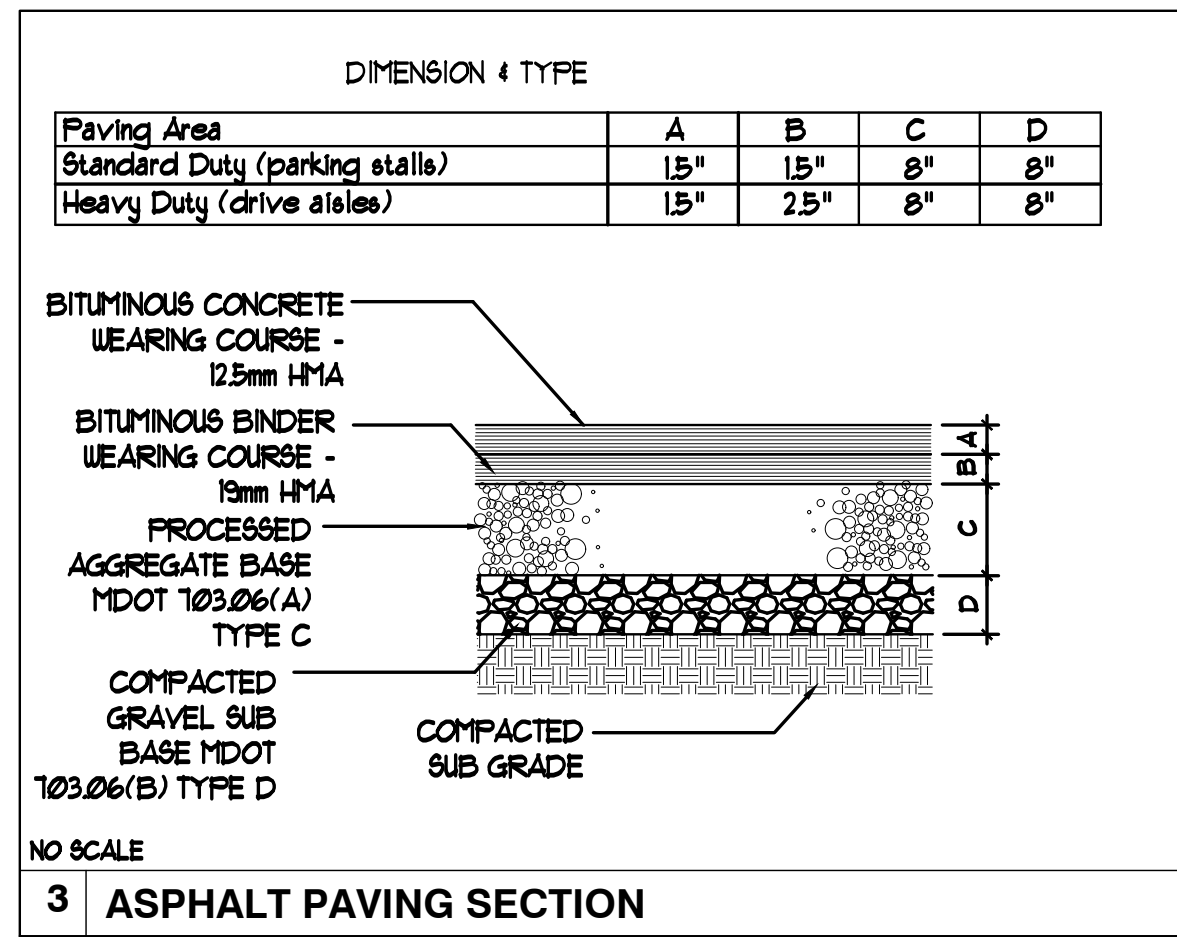
4425.1 - 10' WIDE 20' LONG 4" DIA. 10' WIDE 20' LONG 4" DIA. 10' WIDE 20' LONG 4" DIA.



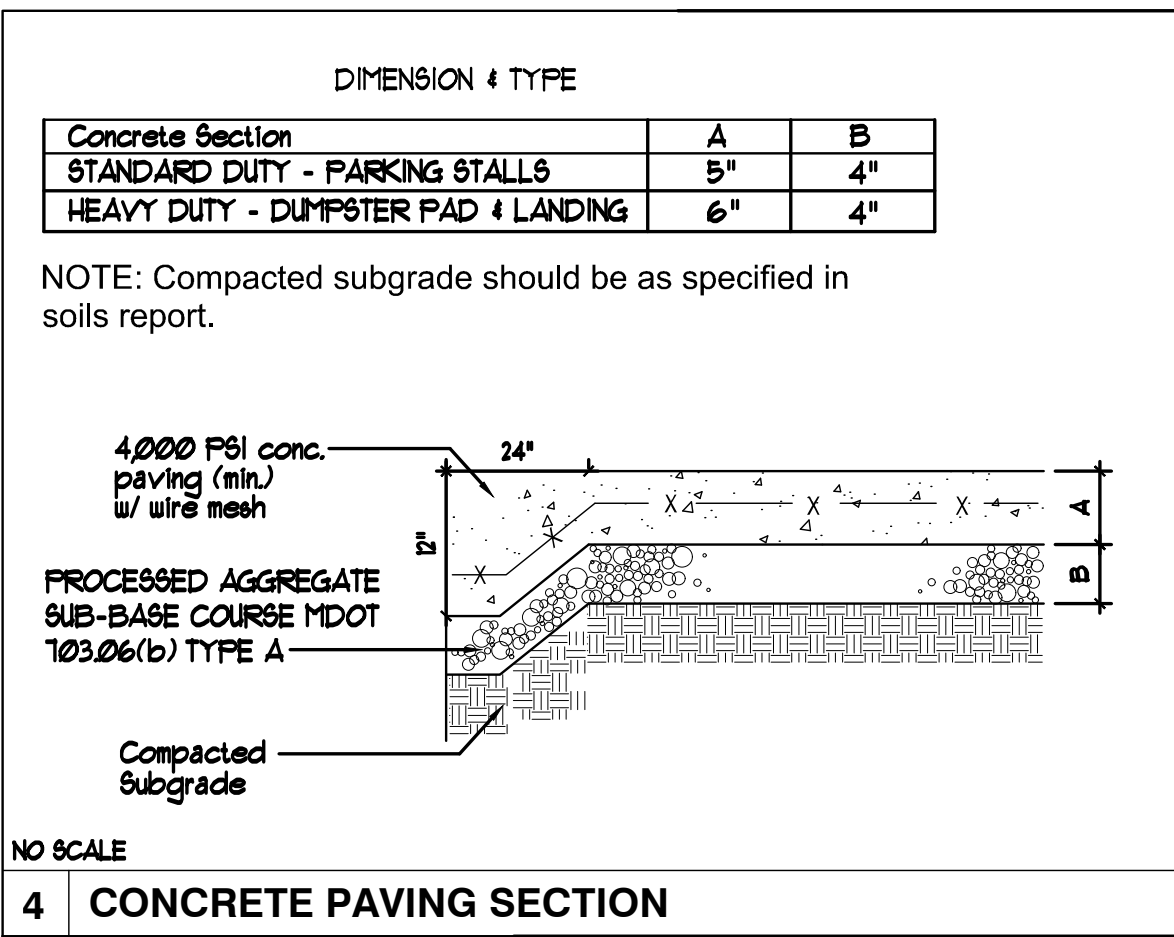
NO SCALE
1 TYPICAL ROLL-OVER CURB



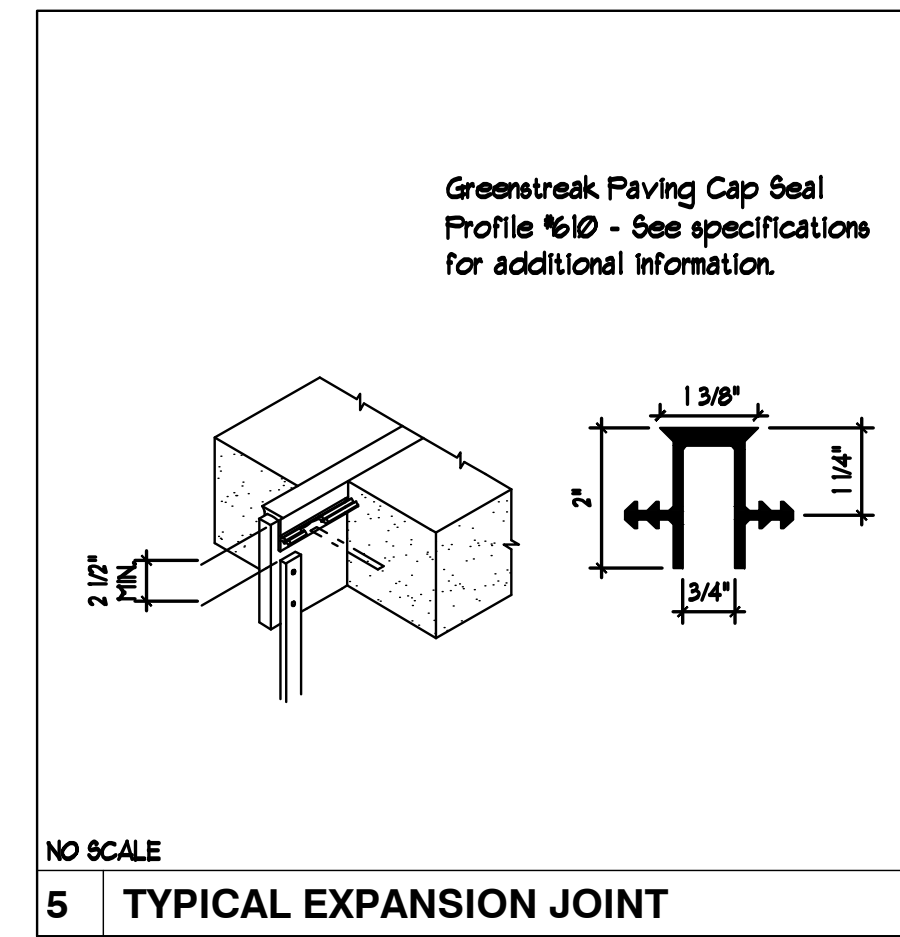
NO SCALE
2 ROLL-OVER CURB at ASPHALT PAVING



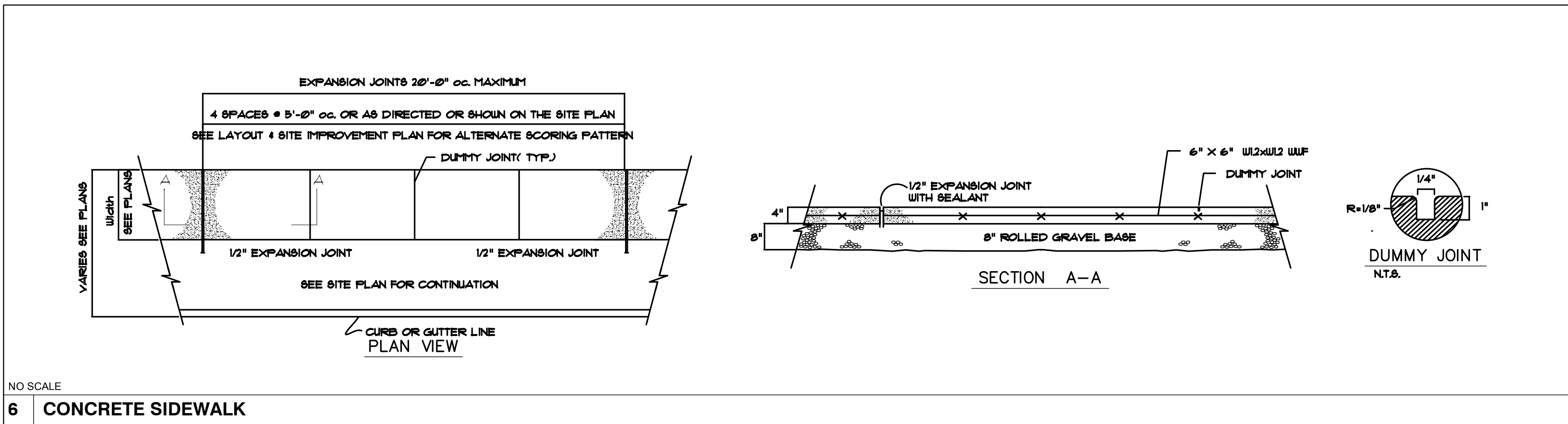
NO SCALE
3 ASPHALT PAVING SECTION



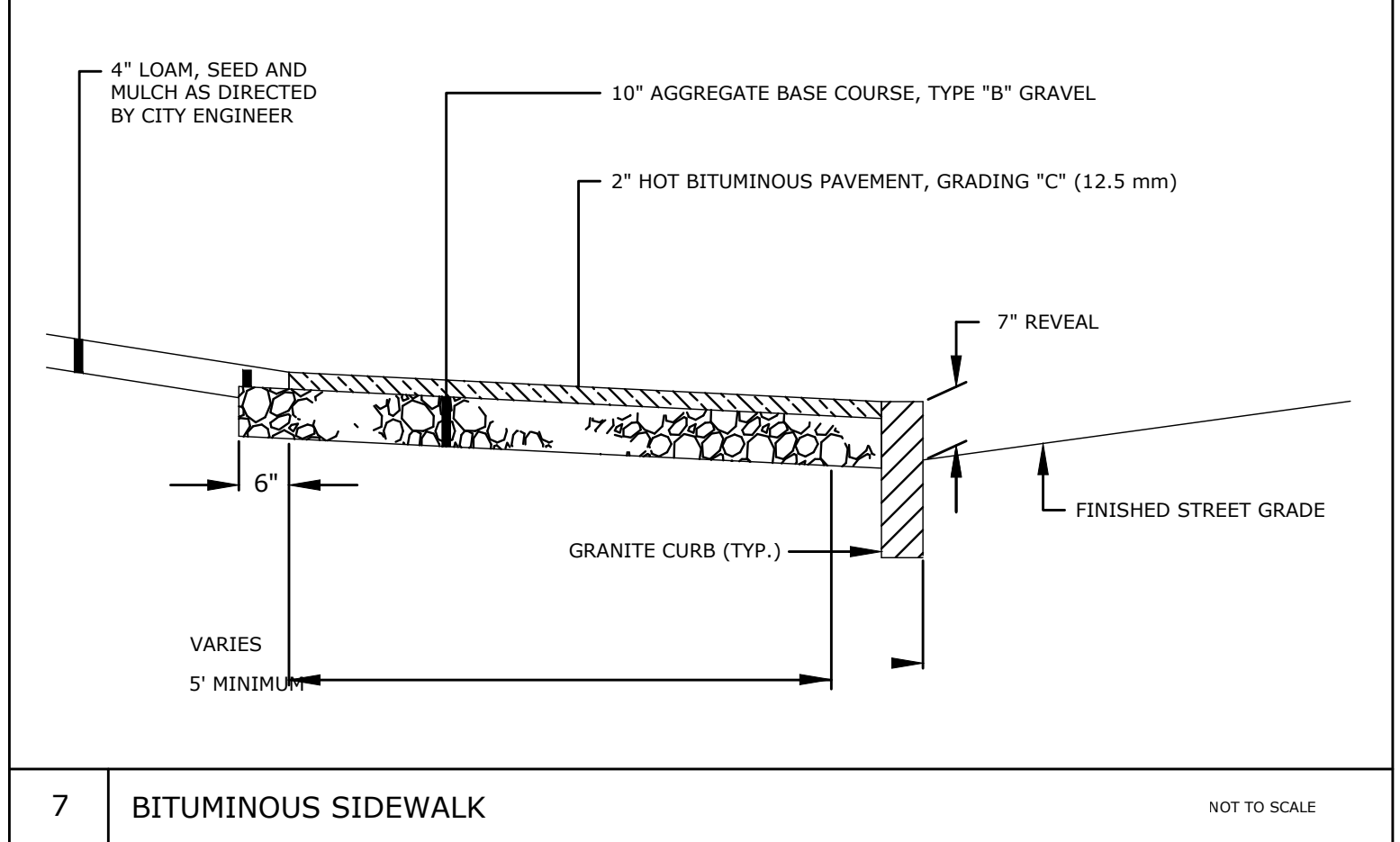
NO SCALE
4 CONCRETE PAVING SECTION



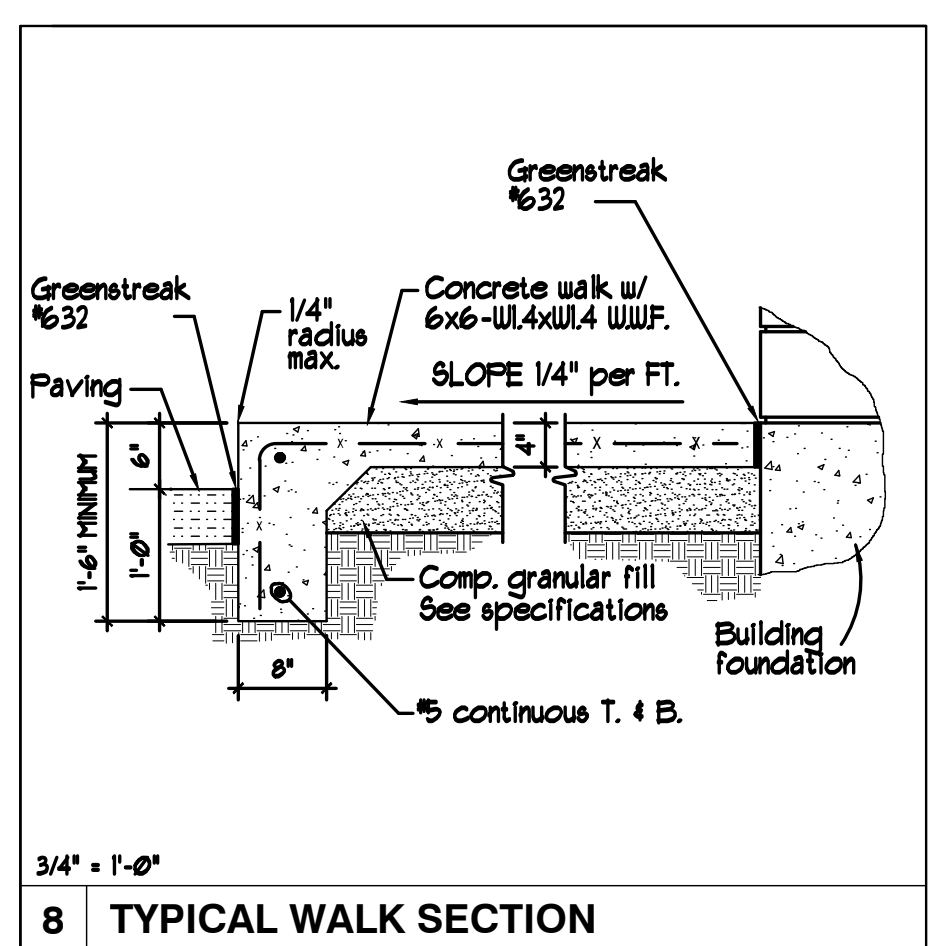
NO SCALE
5 TYPICAL EXPANSION JOINT



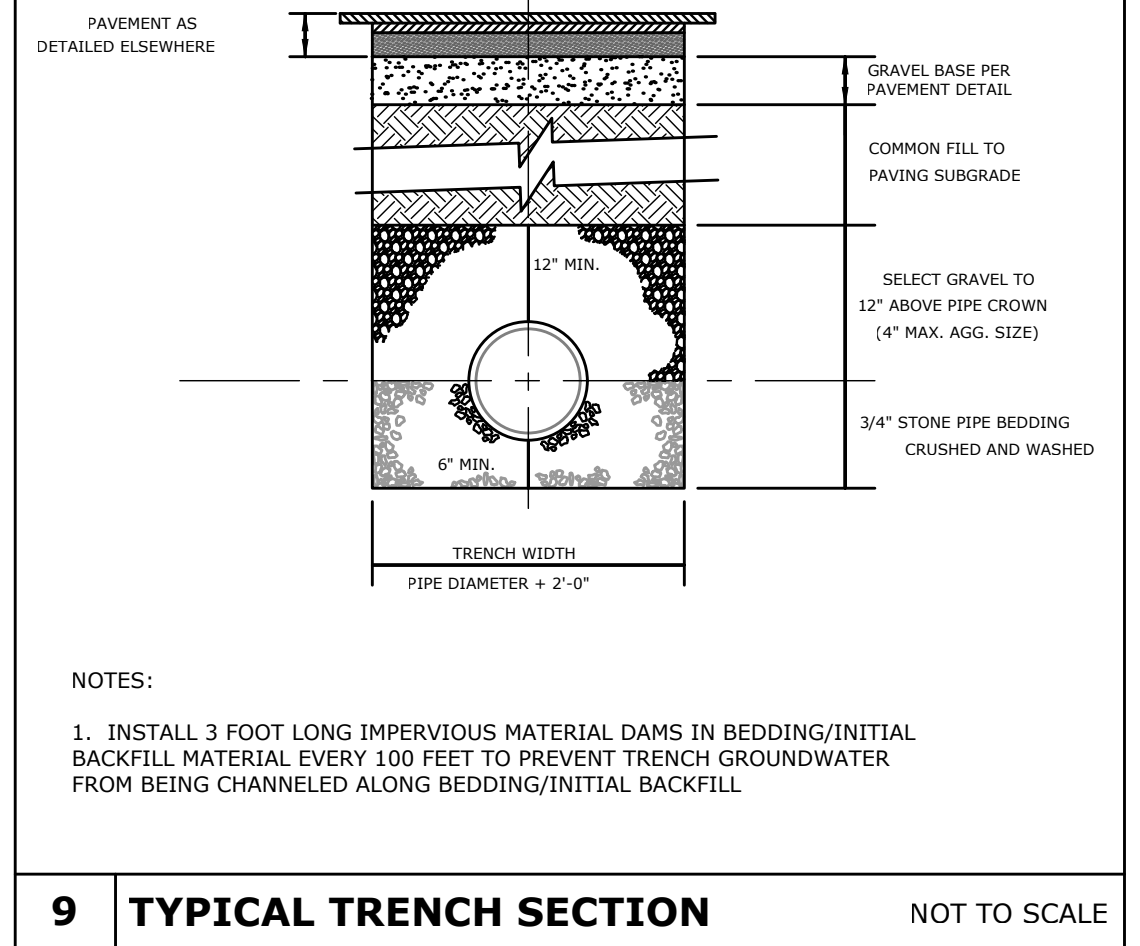
NO SCALE
6 CONCRETE SIDEWALK



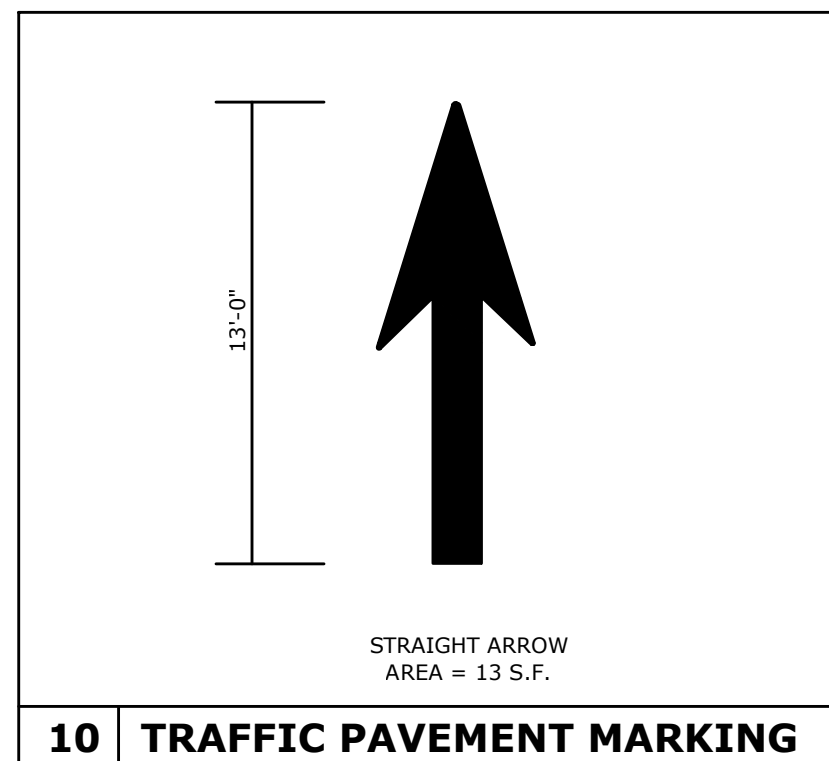
NOT TO SCALE
7 BITUMINOUS SIDEWALK



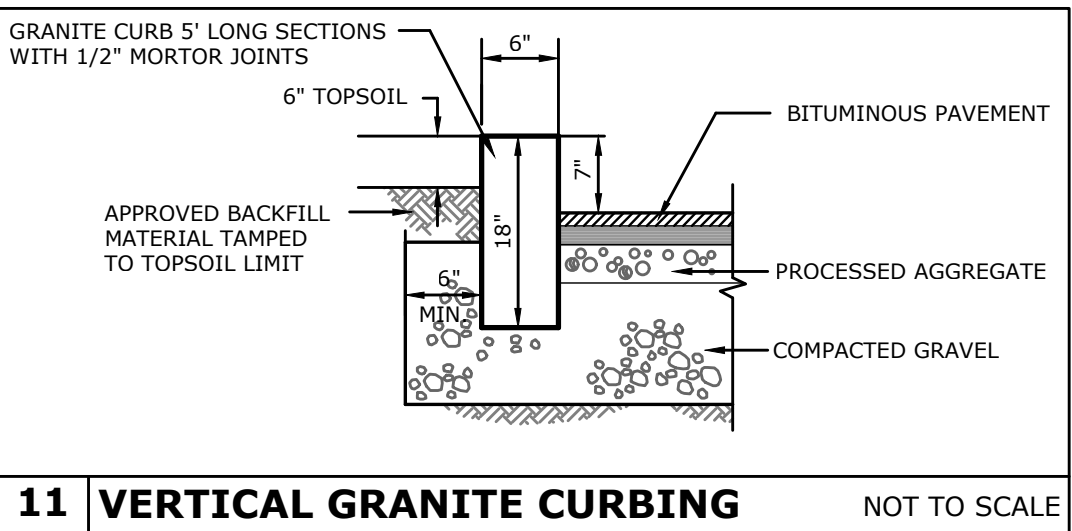
3/4" = 1'-0"
8 TYPICAL WALK SECTION



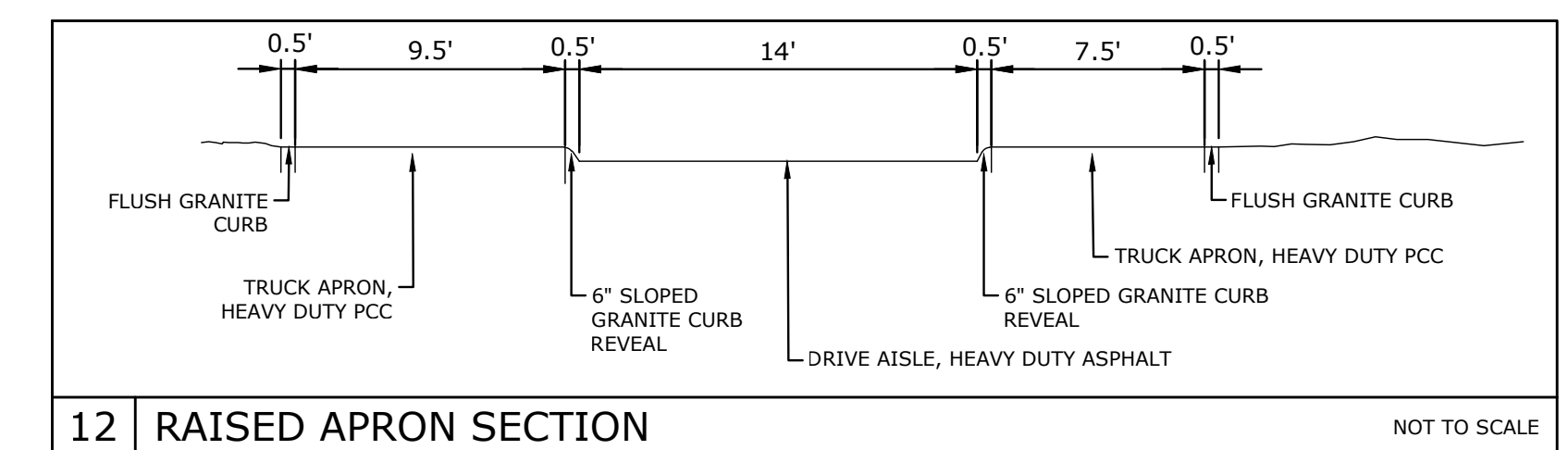
NOT TO SCALE
9 TYPICAL TRENCH SECTION



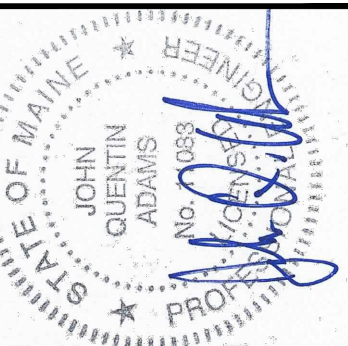
10 TRAFFIC PAVEMENT MARKING



11 VERTICAL GRANITE CURBING



12 RAISED APRON SECTION



MILONE & MACBROOM
121 Middle Street
Suite 201
Portland, Maine 04101
(207) 541-5544 Fax (207) 541-5548
www.miloneandmacbroom.com

DESCRIPTION	DATE	BY

SITE DETAILS
AUTOZONE STORE NO. 3879
PORTLAND, MAINE
1207 FOREST AVE
PORTLAND, MAINE

DESIGNED	DRAWN	CHECKED
SMW	SMW	JQA
N.T.S.		
DATE MARCH 16, 2016		
PROJECT NO. 5464-04		
SHEET NO. 6 OF 12		

C1.A