

NOTES:

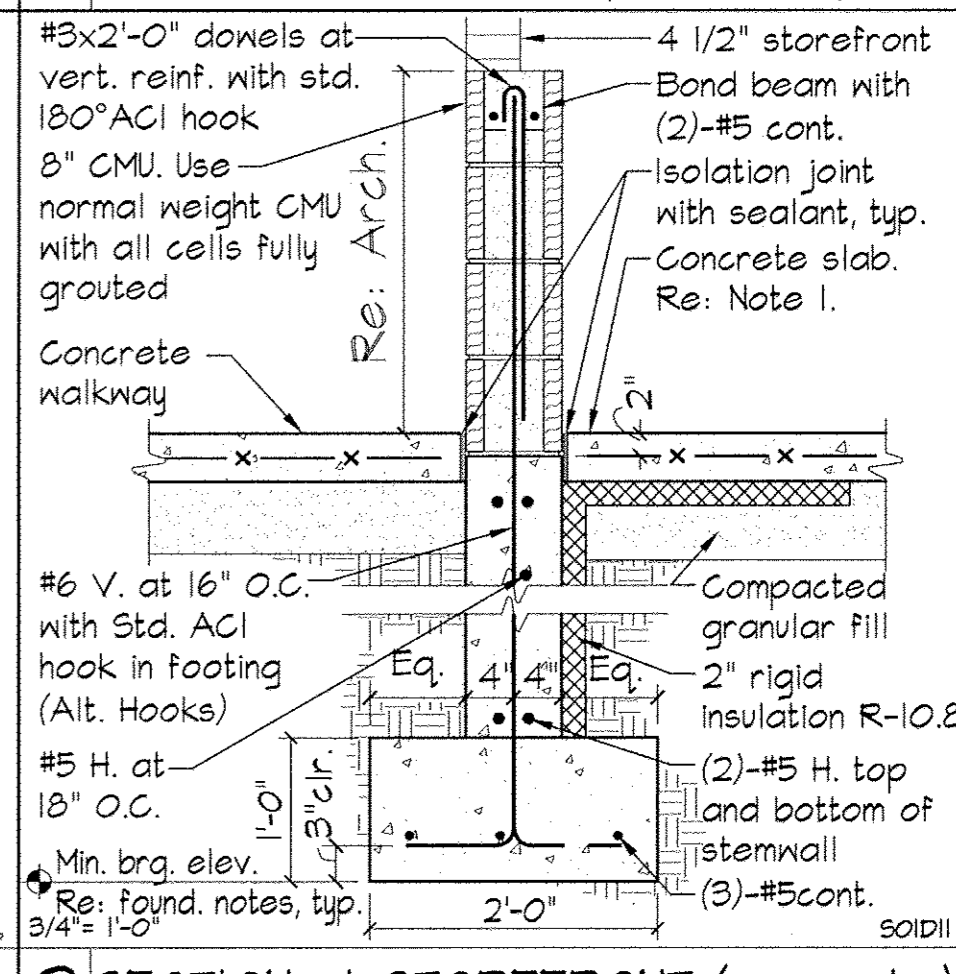
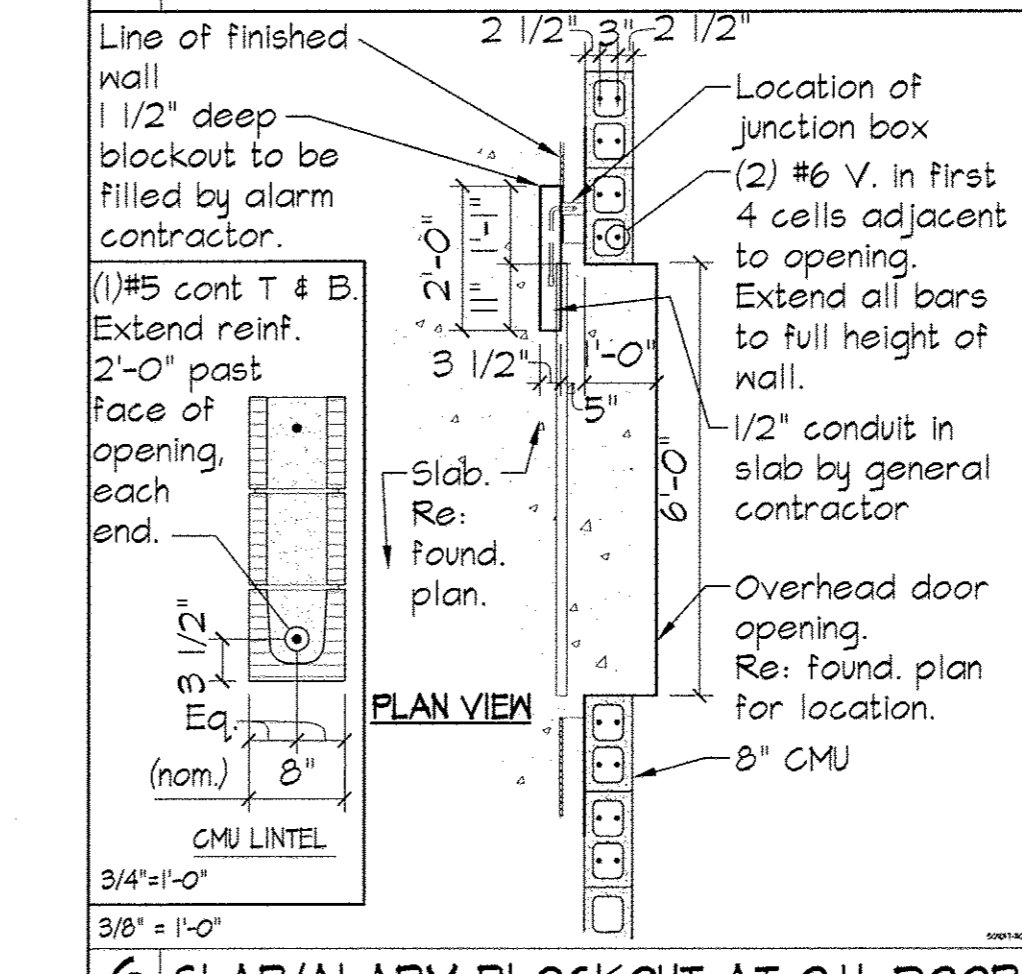
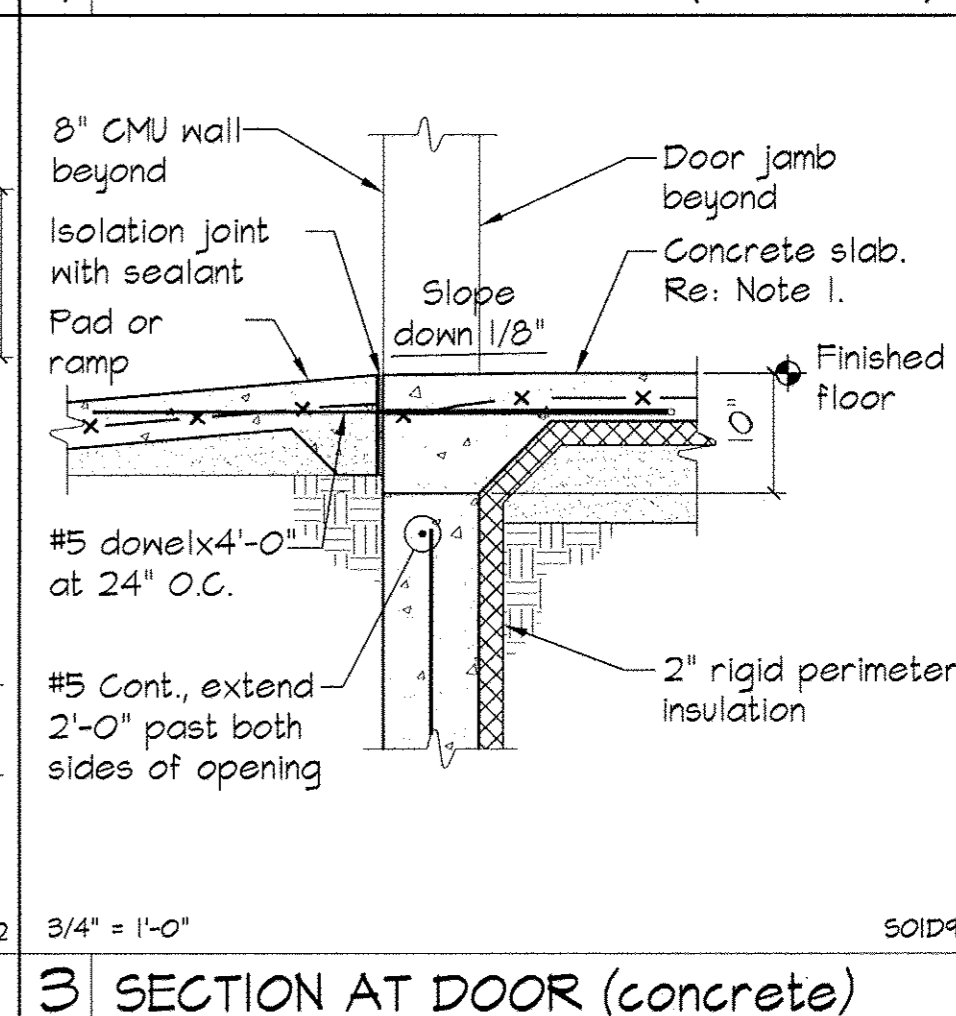
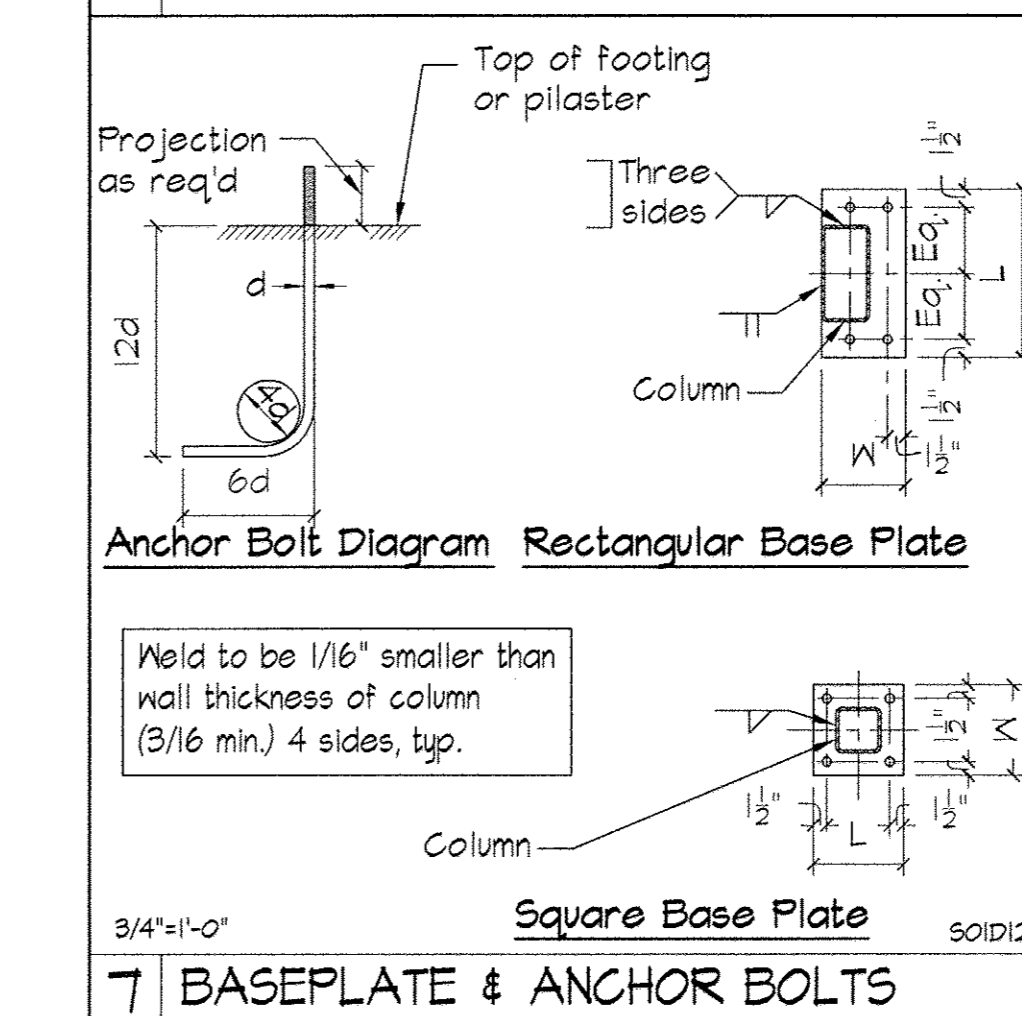
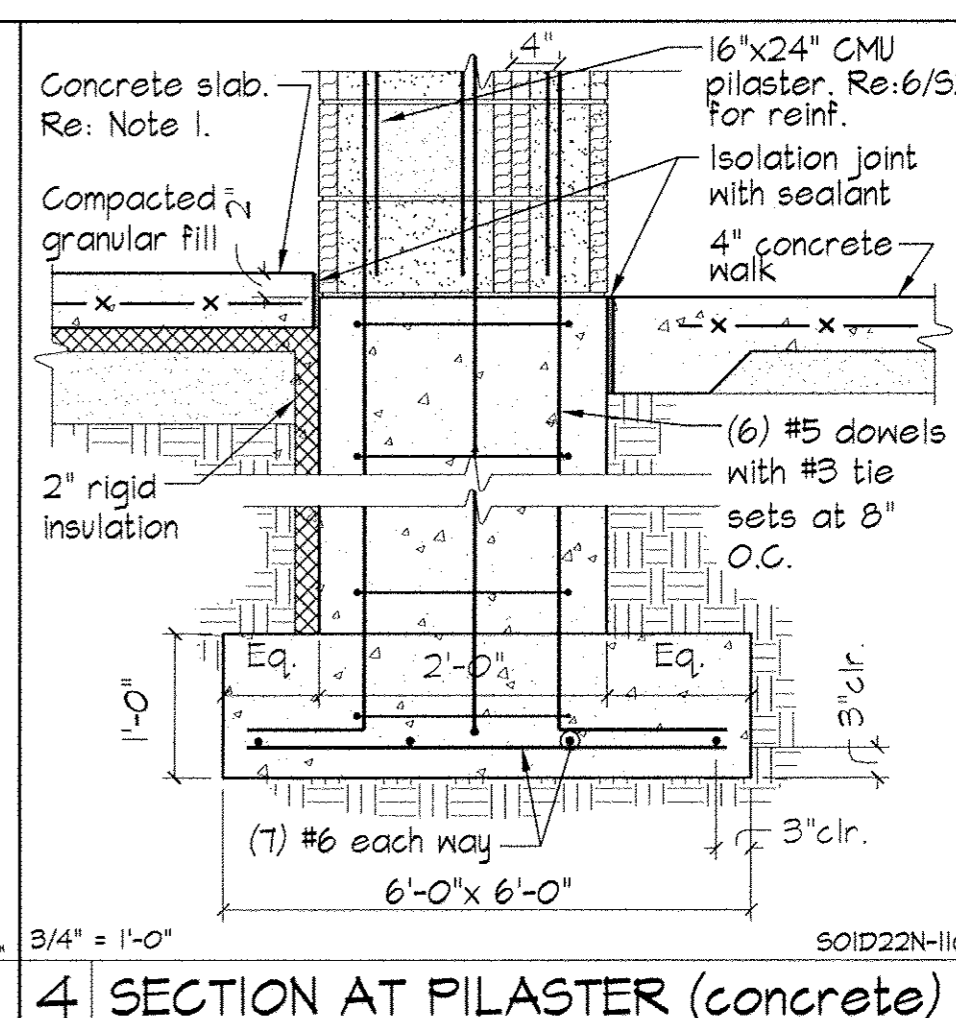
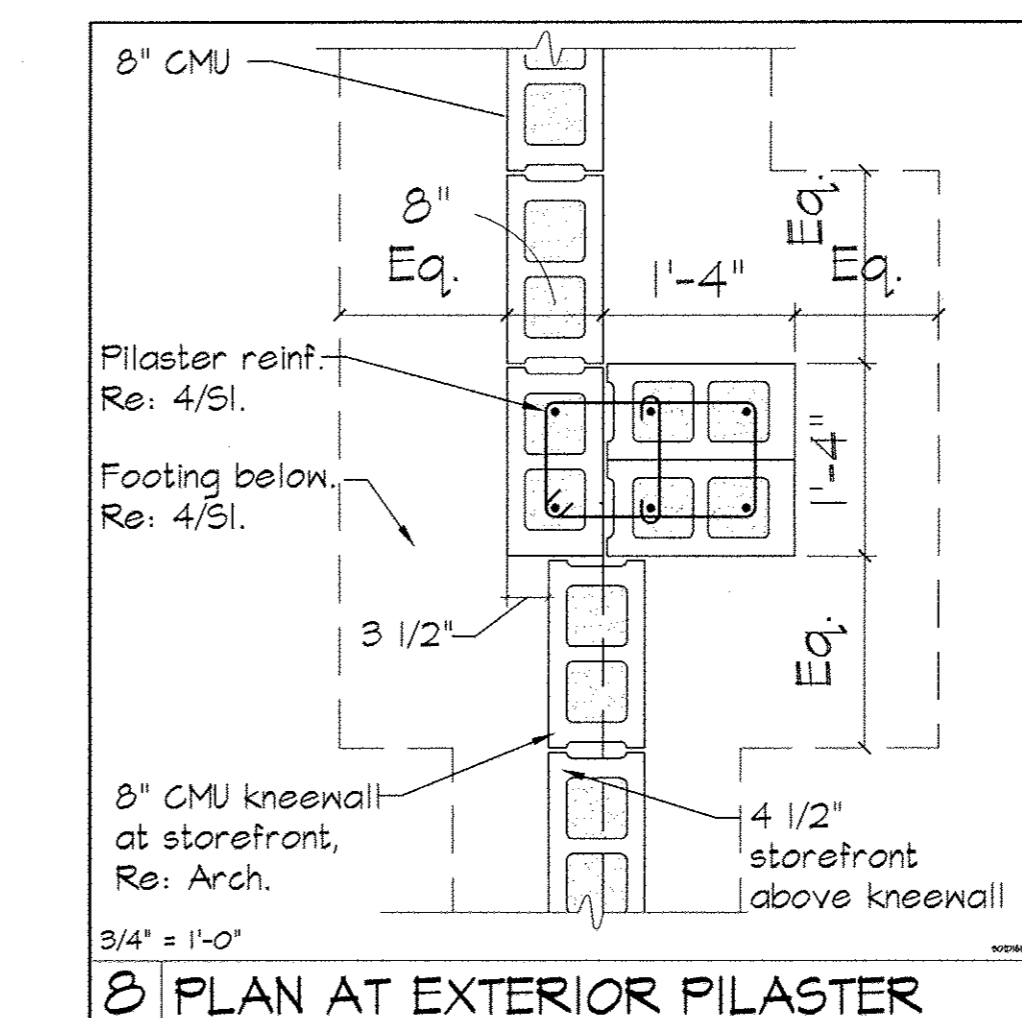
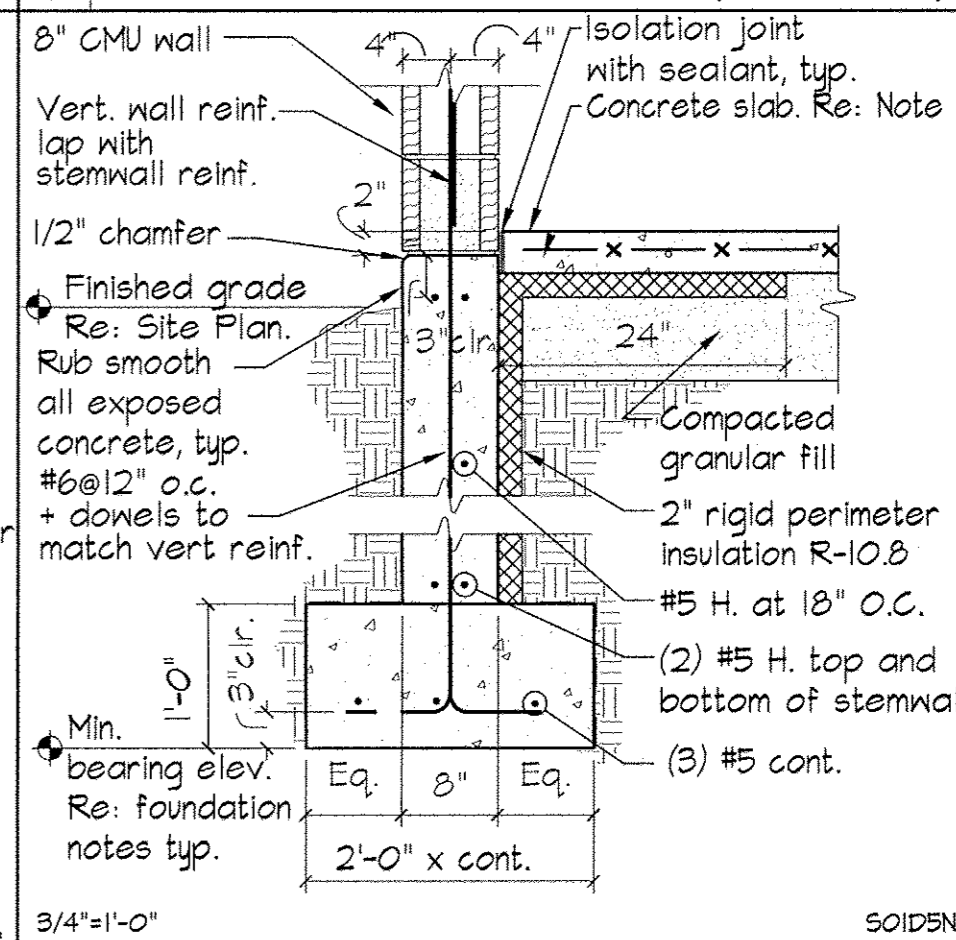
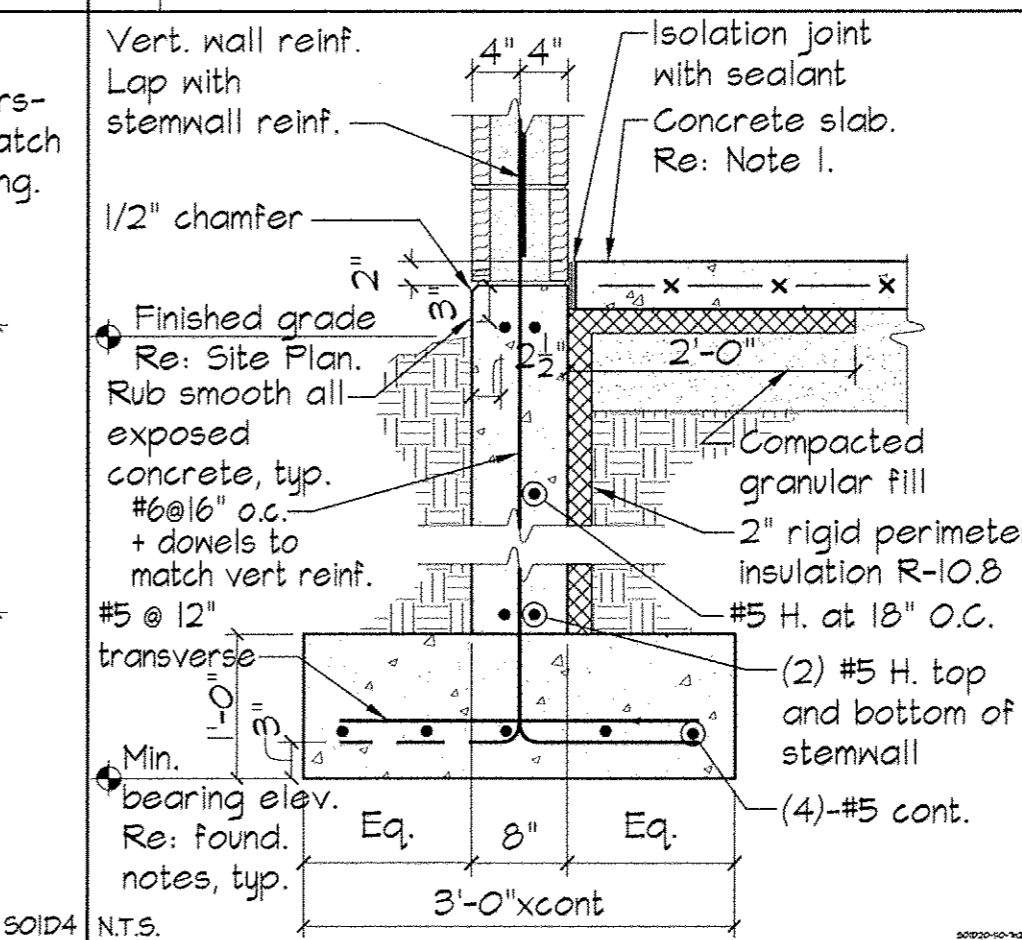
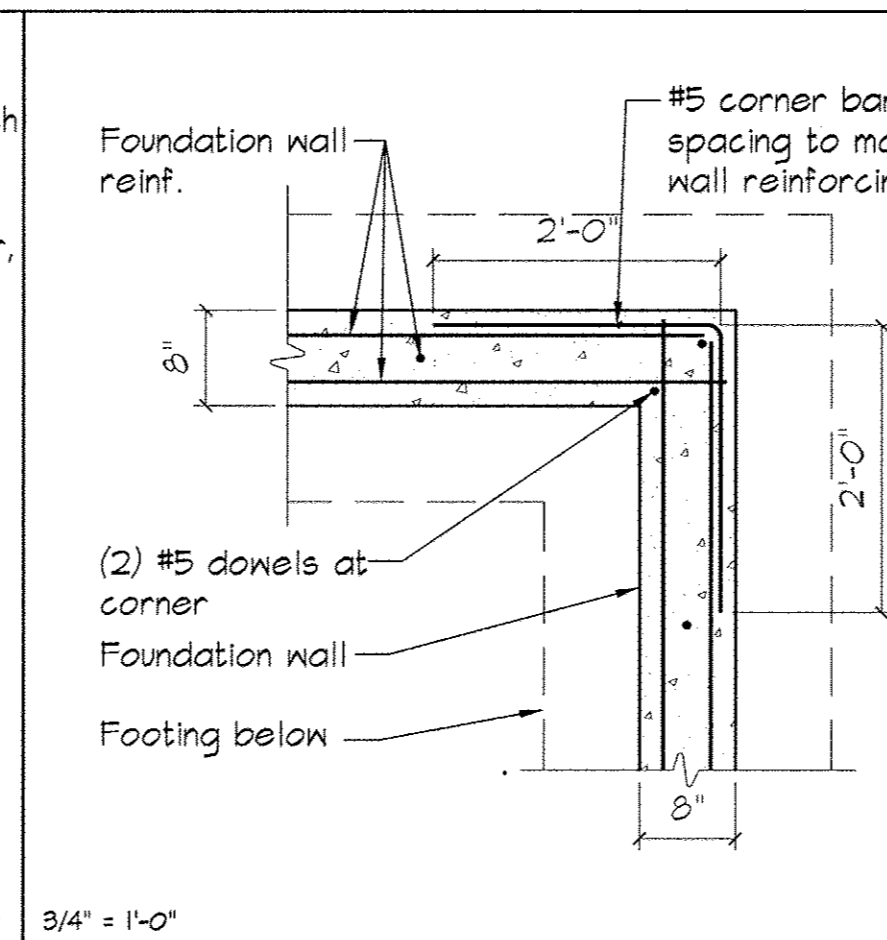
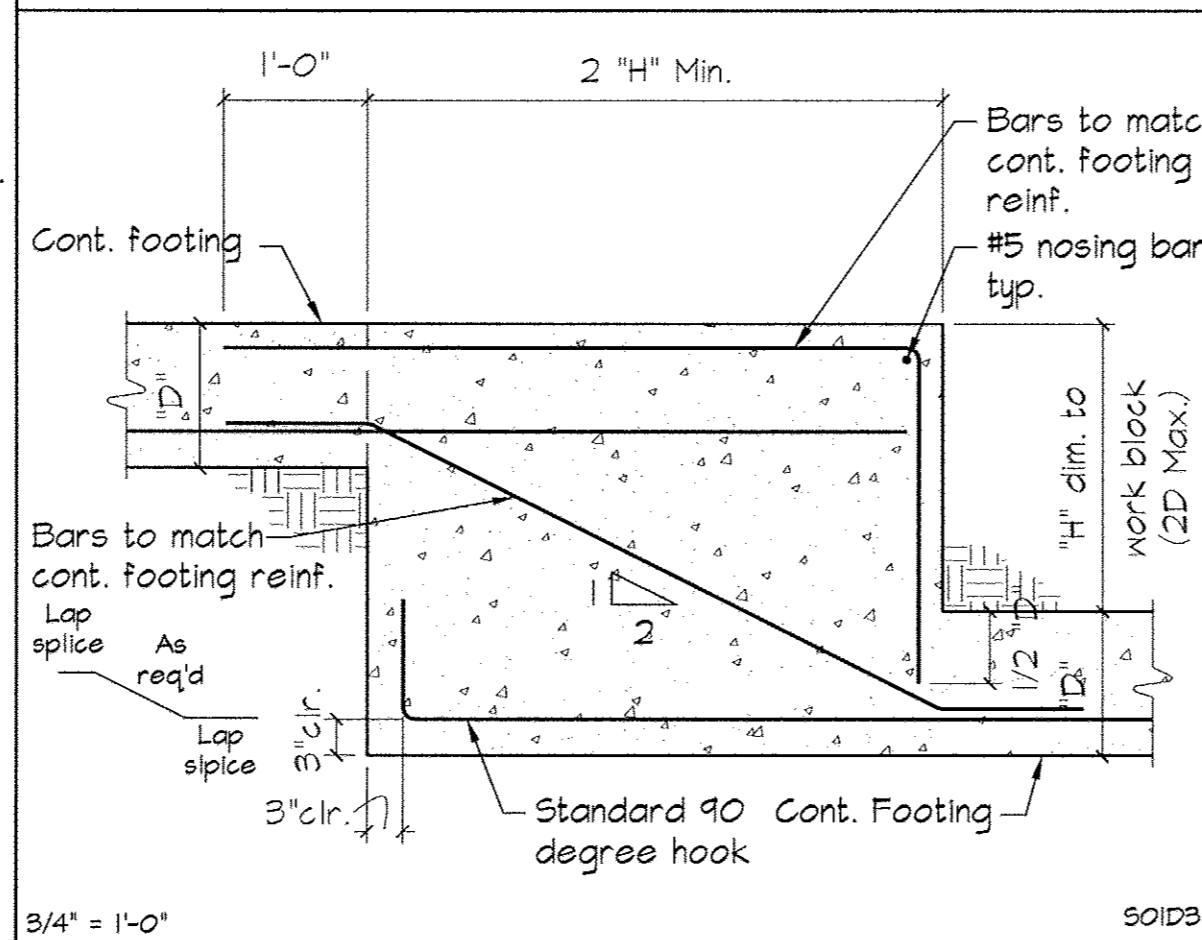
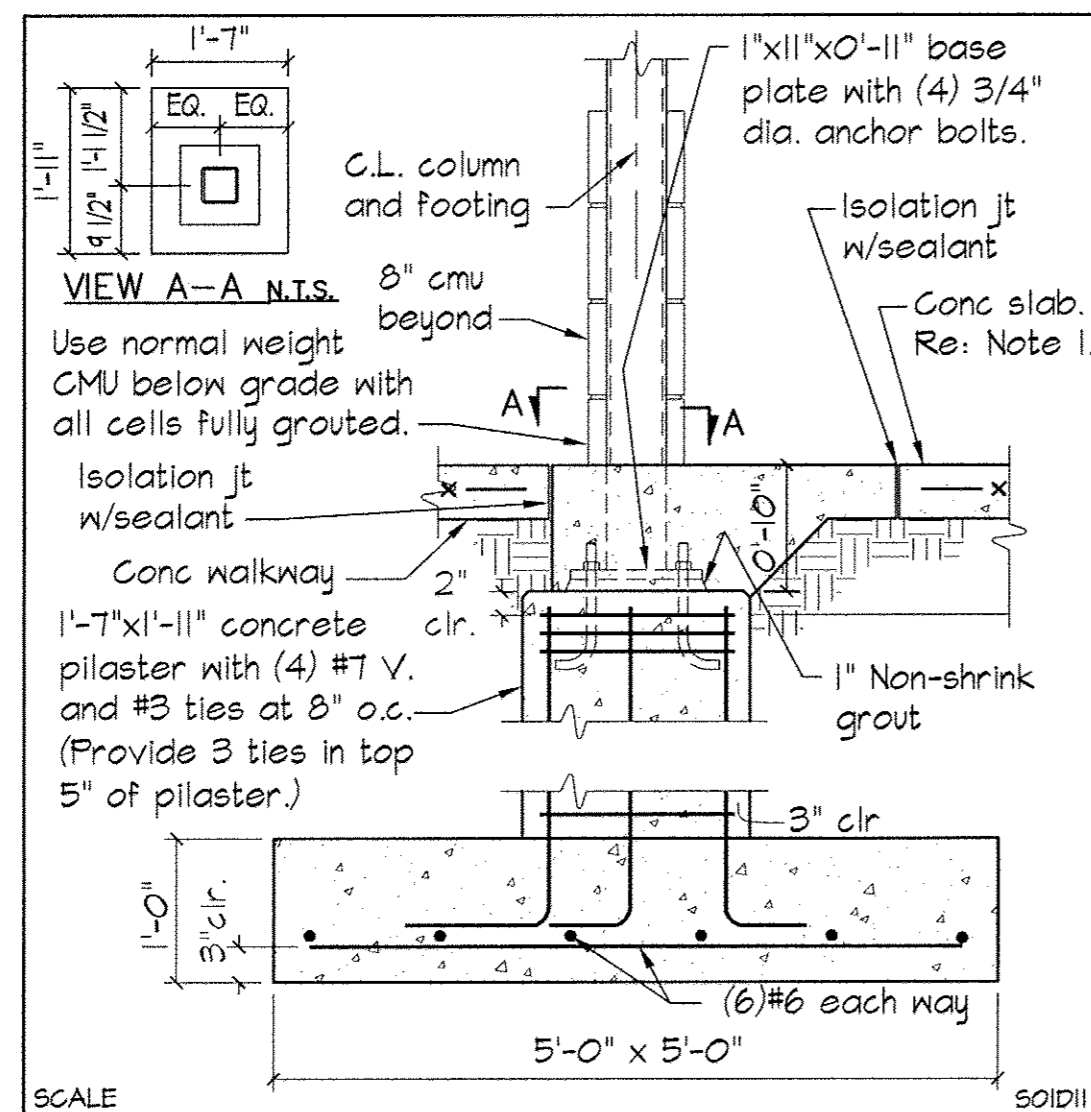
- 5" slab thickness with 6x6-W1.4xW1.4 W.W.F. or fiberglass (See specification for fiberglass requirements). Maintain mesh elevation at one half the thickness of the slab. Place slab over a 10 mil. polyethylene vapor barrier over compacted granular fill.
- Entire concrete foundation and slab, each to be poured at one time.
- For contraction joints, saw cut one quarter slab thickness, typical. Space equally as shown.

- For footing sizes, see details. Contractor may carry masonry to the footing, or pour concrete stemwalls which ever is more economical.
- Miscellaneous concrete: 12"x12"x4" at all exterior clean outs.
- All exterior footings shall bear a minimum of 48" below adjacent exterior grade, and a maximum of 62" below finish floor slab.

- Vertical reinforcing: Provide (1) #6 V. at 32" o.c. all walls. Provide (1) #6 V. at all corners and on both sides of expansion joints, U.N.O. Re: details for masonry pilaster.
- Horizontal reinforcing, typ.: Dur-o-wall joint reinforcing spaced at 16" O.C. above grade, and 8" O.C. below grade and in parapets. Bond beams (2) #5 continuous (Re: wall sections and details for locations.)

- Jamb reinforcing: For 3'-4" M.O., provide 24" jamb with 2-#6 V. per cell both ends. For 6'-0" M.O. see details. Extend jamb reinforcing full height of wall, typ.
- Lintel reinforcing: CMU block lintels. At 3'-4" door, provide 8" solid grouted lintel with (1) #5 cont. At 6'-0" door, provide 24" solid grouted lintel with (1) #5 cont., T & B. Re: details for reinf. and plans for door locations.

- Re: site plans for sidewalks, handicap ramps, and other site specific conditions.
- Re: See Electrical sheets for conduit locations.



REVISIONS	4	5	6
AutoZone Store No. 3879	1207 FOREST AVE		
PORTLAND	ME	04103	ALTERNATE CONCRETE STEMWALL
PJF PAUL J. FORD & COMPANY 280 E Broad St, Ste 600 - Columbus, OH 43215 Phone: 614.221.6677 www.pauljford.com A6276-0016			
Registered Professional Engineer KEVIN BAUMAN E.C.S.			
04/21/2016 CUSTOM S1A			
Drawn By: A.A.G. Designed By: P.R.D.			