

Roof Framing Plan
1/8" = 1'-0"

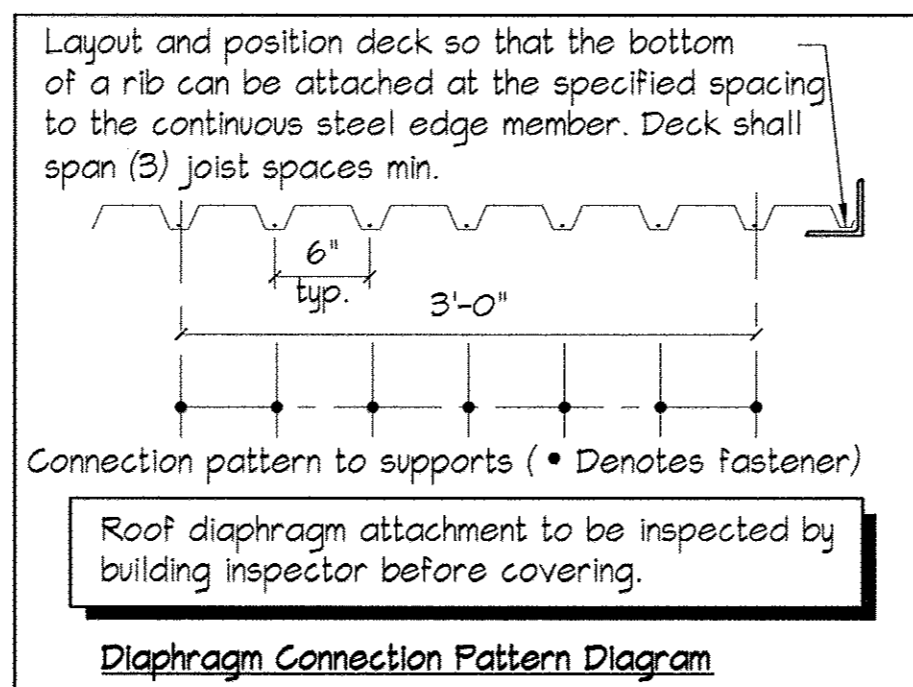
NOTES:

1. Steel Manufacturer Note: Coordinate location of bolt holes for joist ends due to OSHA requirements with joist manufacturer. Re: Steel manufacturer's job specific shop drawings. Contact the project manager with any conflicts that should occur in field conditions.

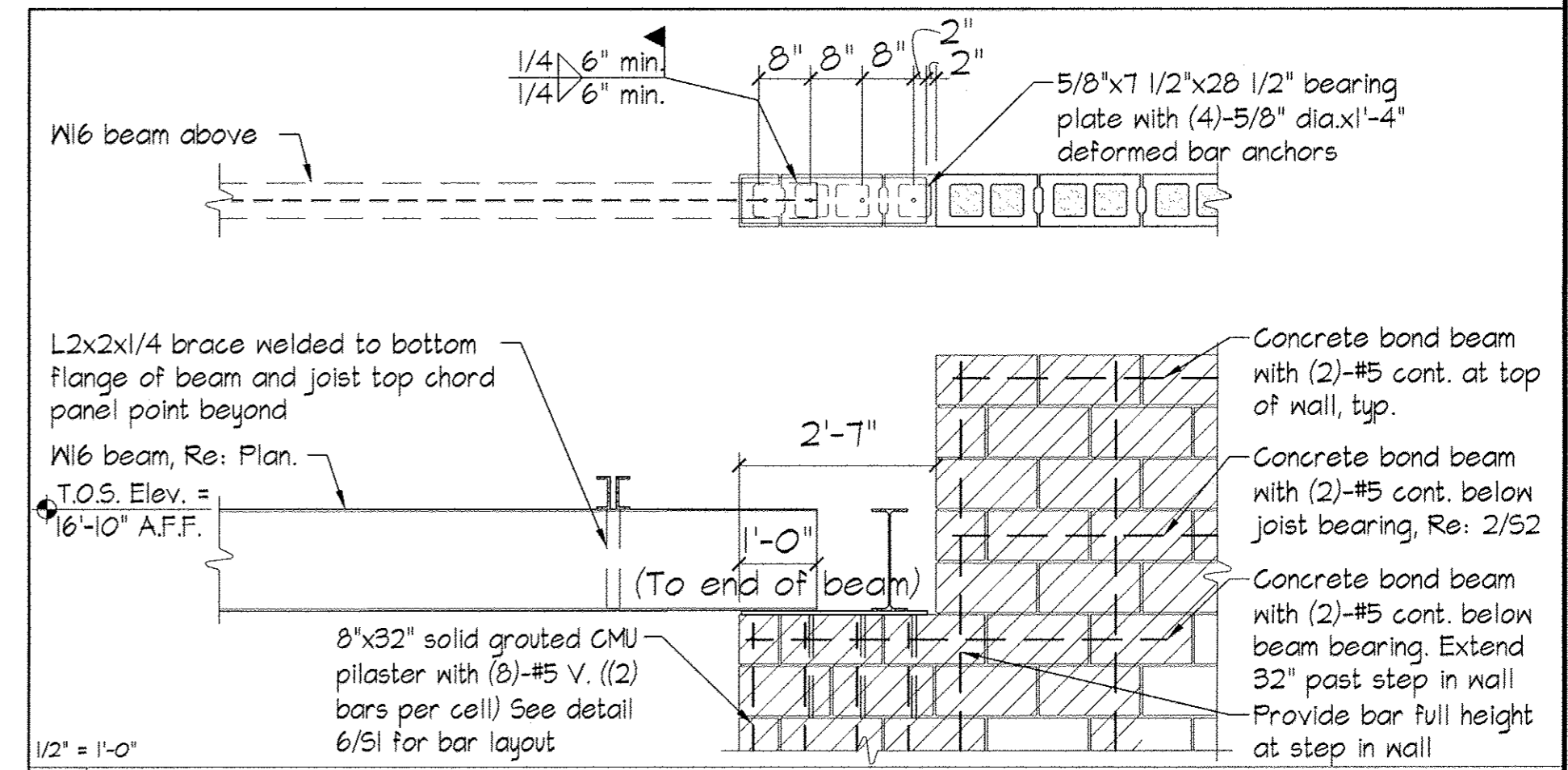
2. Steel joists and bridging, and metal decking to be furnished by Autozone. All remaining items shall be supplied and installed by the general contractor.

3. Metal roof deck shall be 6-60 galvanized 15 B20 connected to supporting structure with 36/71 fastener pattern and 4 sidelap fasteners at 5 equal spaces. Attach deck to perimeter angles at 6" O.C. Fasteners between deck and joists and perimeter angles shall be either of the following two options:

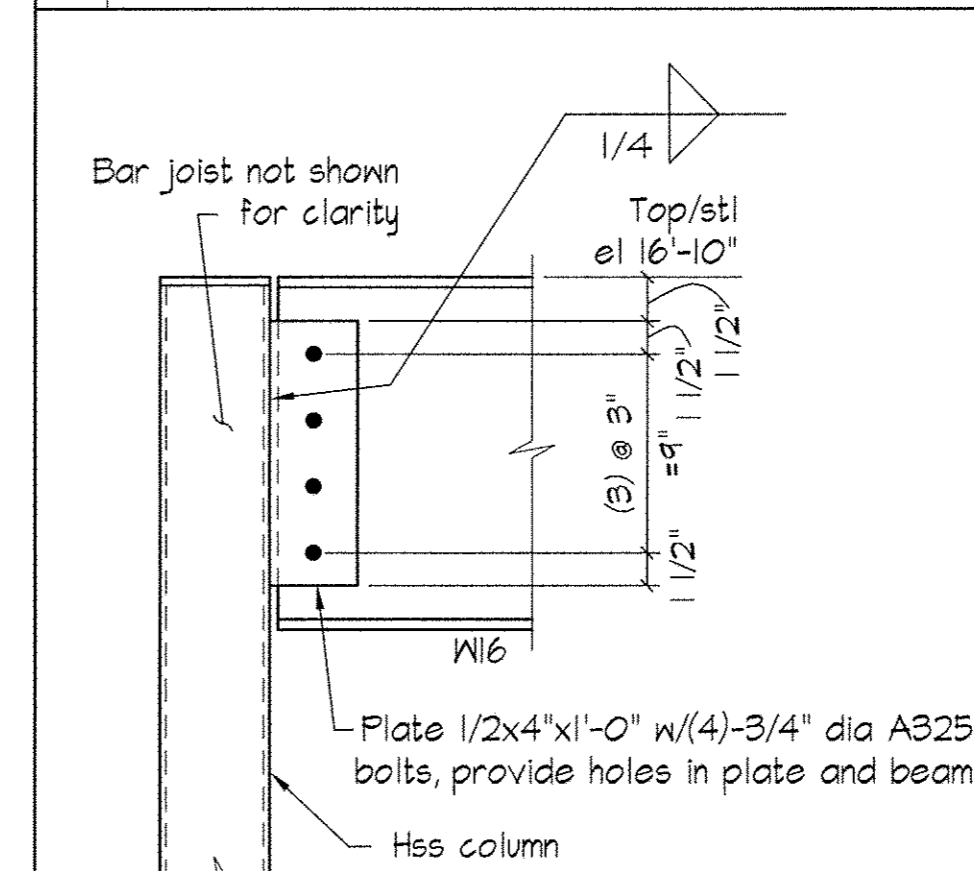
- A. Self-drilling screws (ICBO #3056):
#12-24x1 1/4" TEKS 5 and I.C.H. TRAXX 5 hex head washer for 1/4" to 1/2" thick steel supports or
#12-24x7/8" TEKS 4 and I.C.H. TRAXX 4 hex head washer for 3/16" to 1/4" thick steel supports.
- B. Powder actuated fasteners (ICBO #43T3):
HILTI ENP2K, X-EDNK22 or X-EDN19
Sidelap fasteners shall be #10-16x3/4" TEKS 1.



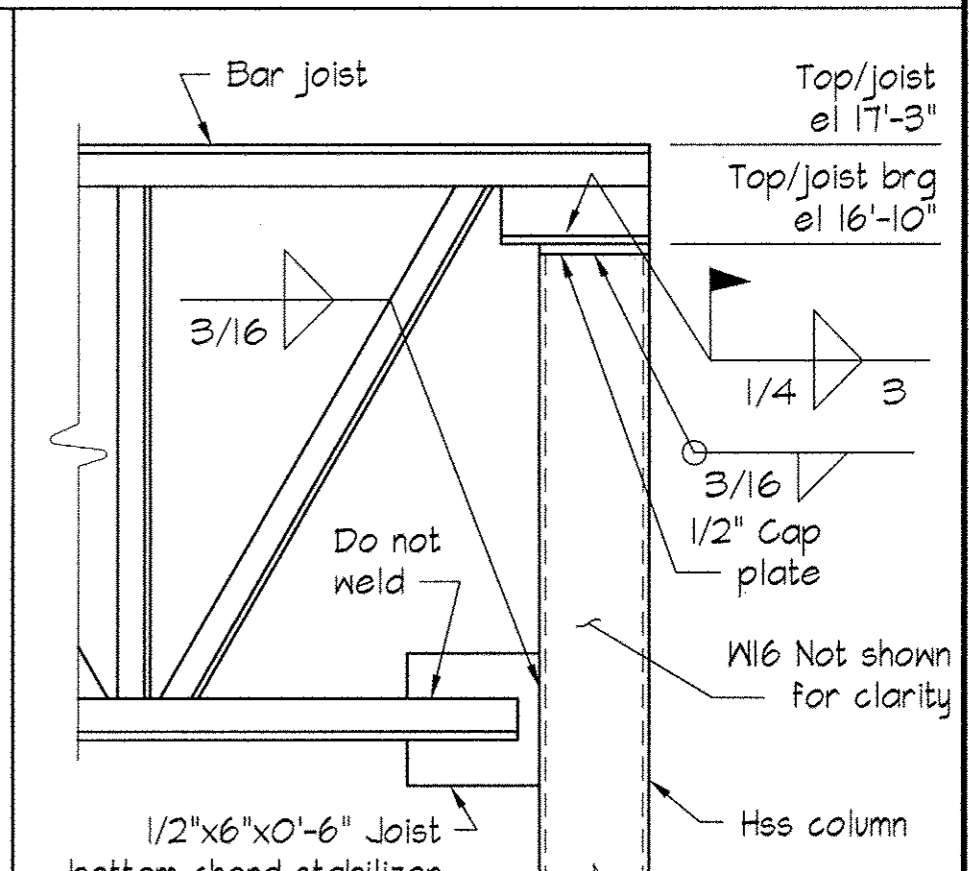
- 4. Joist manufacturer shall design joists and joist girders for additional loads from RTU weights (Re: Roof Framing Plan). Joist girder loads do not include joist girder self weight.
- 5. Joist manufacturer note: Design joist top chord for a 18.6 kip axial tension or compression load due to wind/seismic forces.
- 6. Joist manufacturer note: A 1/2 increase is not permitted for wind/seismic loads. All loads shown are allowable stress design.
- 7. "J#" Indicates special joist loading requirements. See sheet 50 for joist loading diagrams.



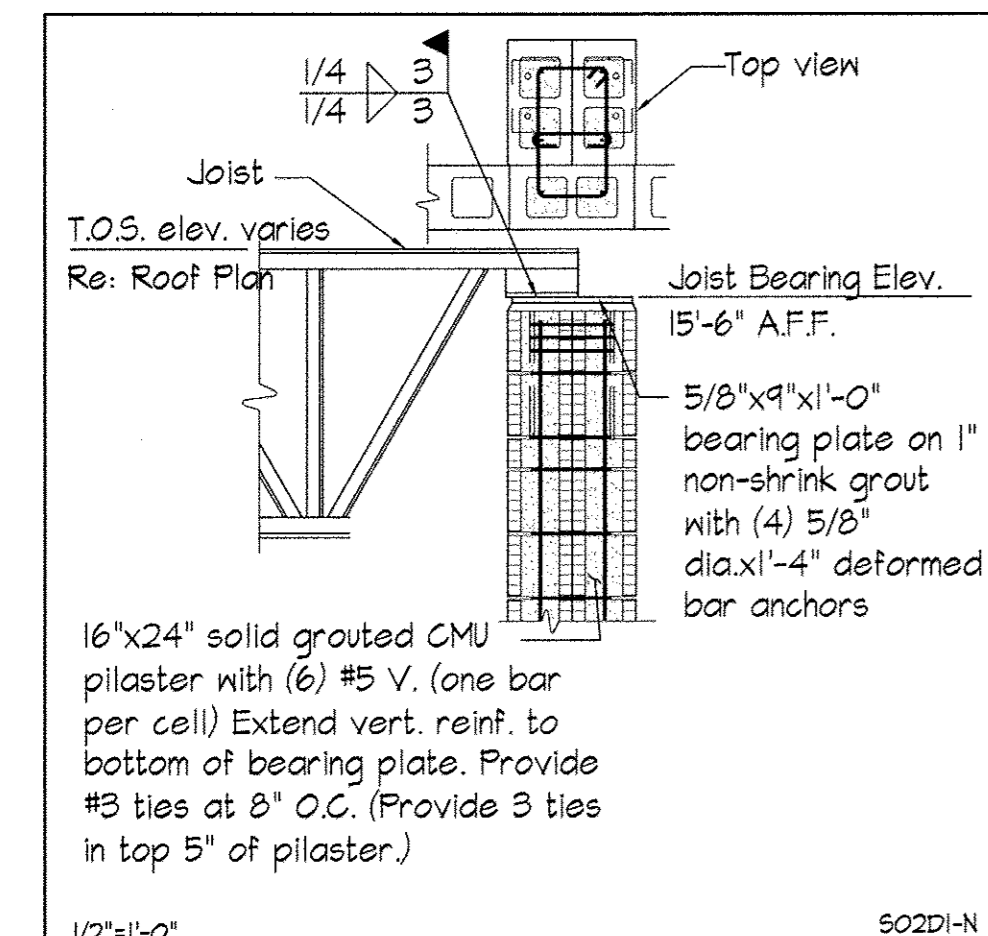
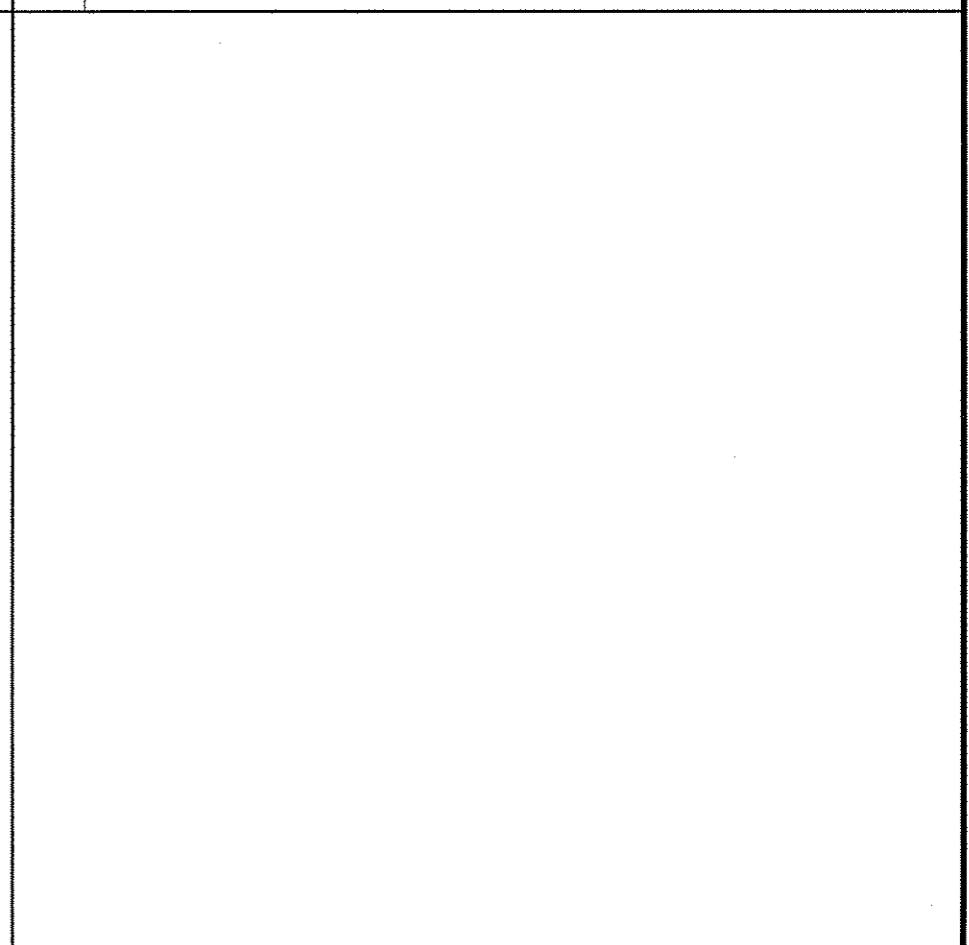
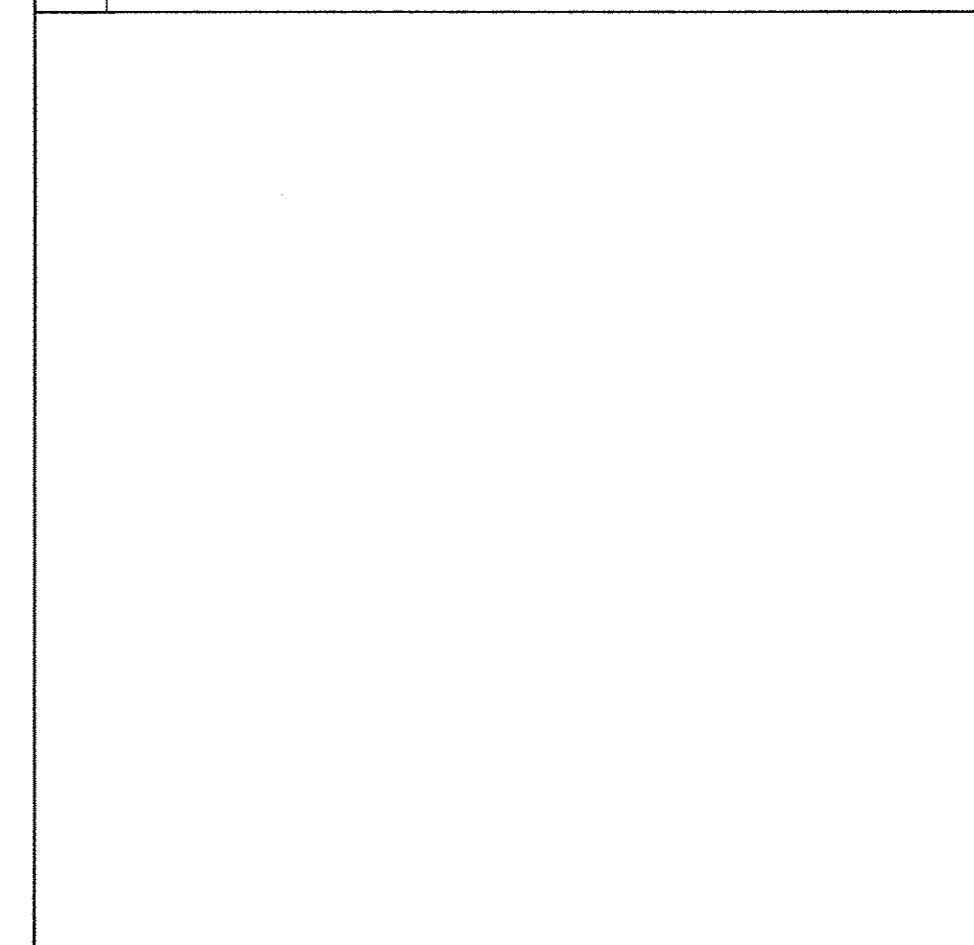
1 | DETAIL



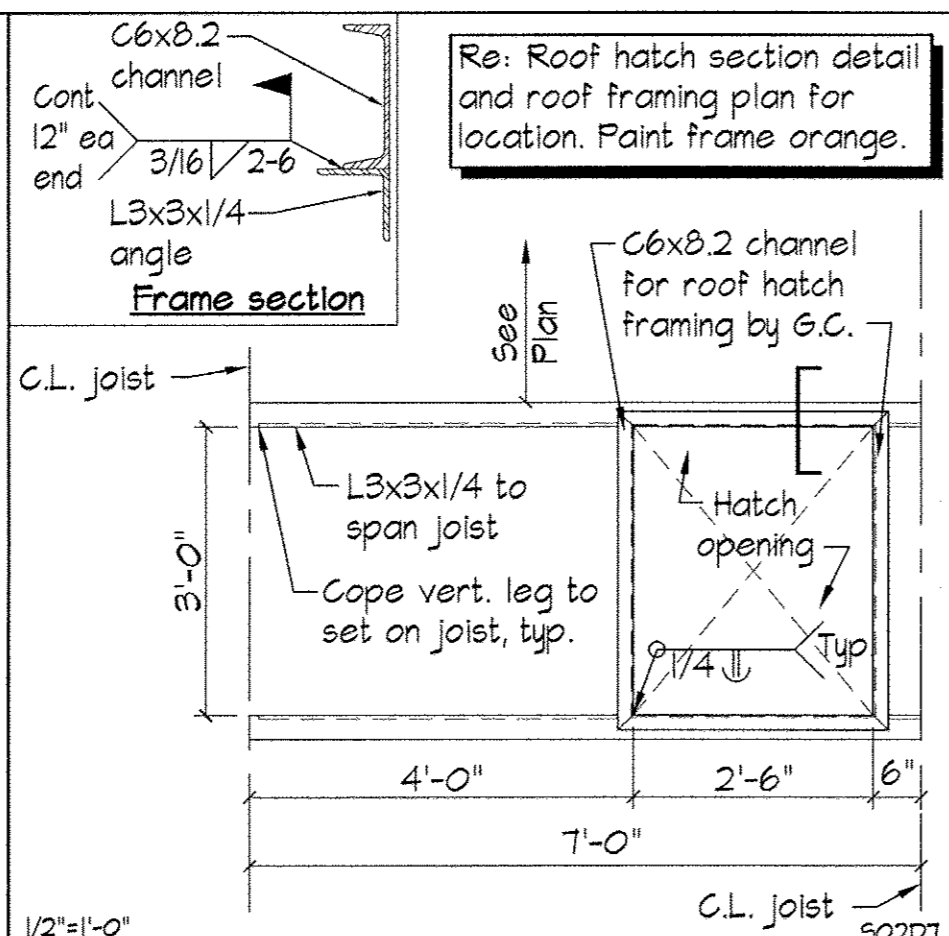
8 | BEAM CONNECTION DETAIL



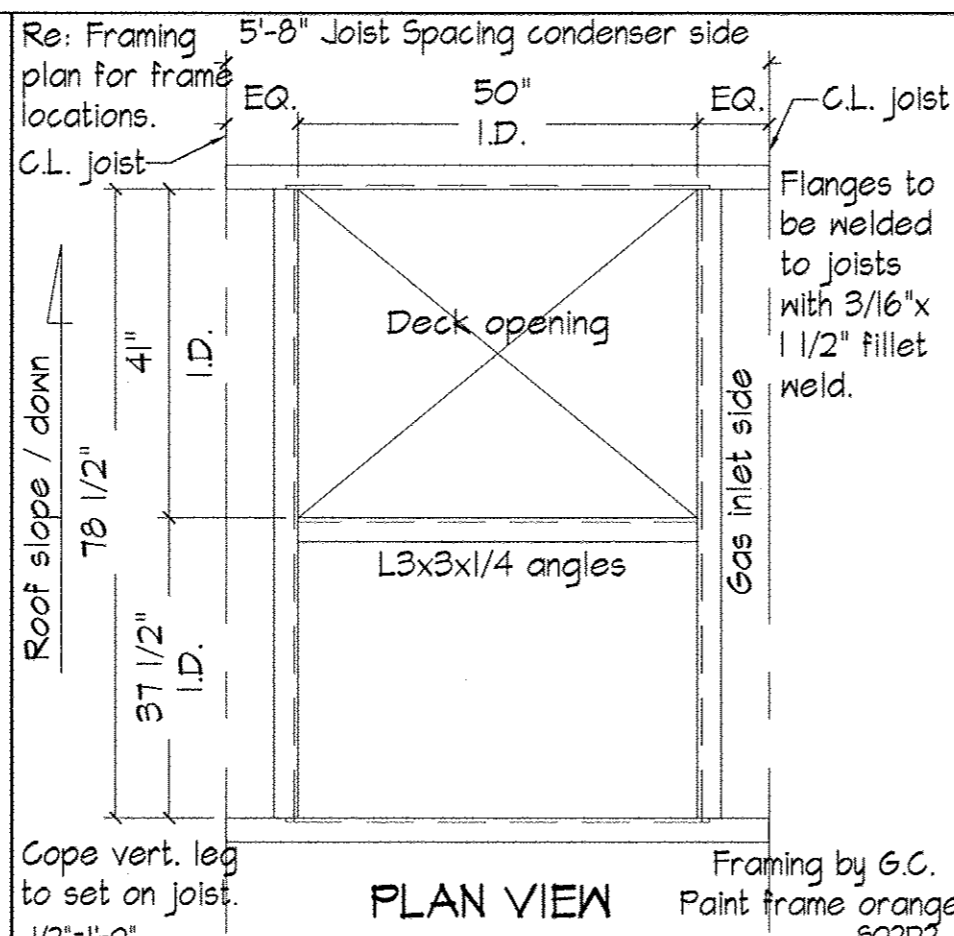
9 | EDGE JOIST CONNECTION DETAIL



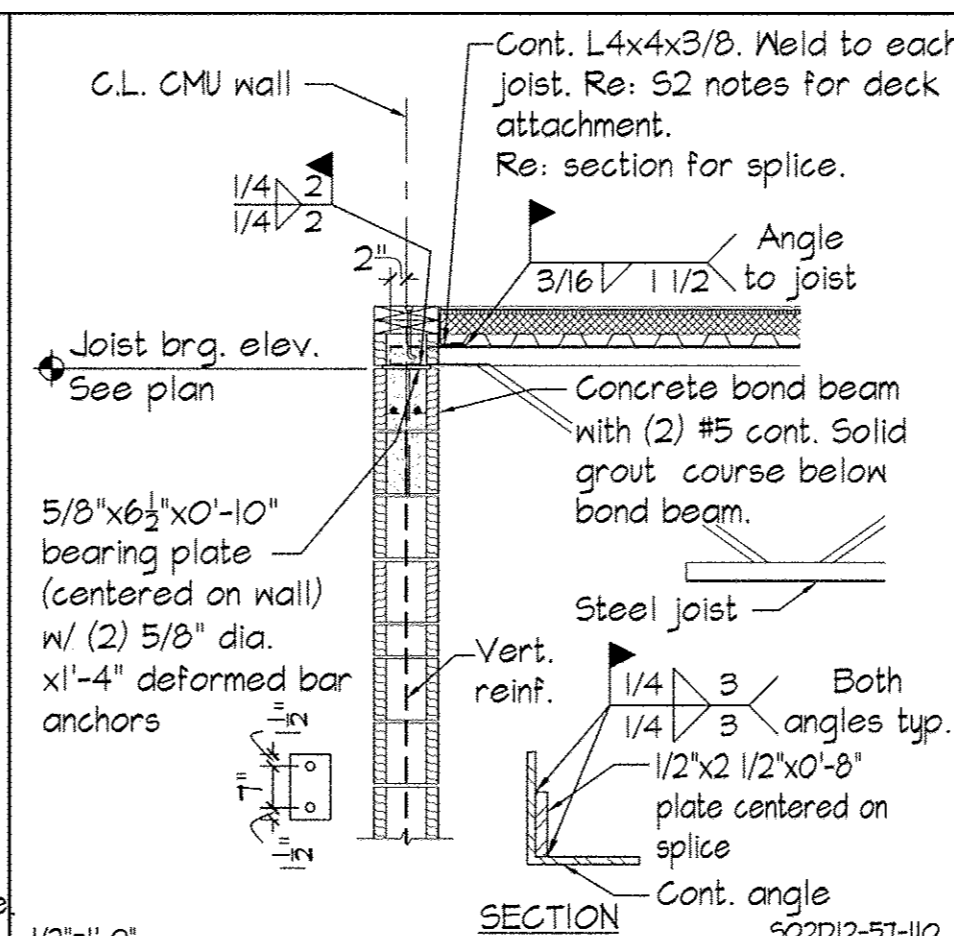
6 | JOIST BEARING AT PILASTER



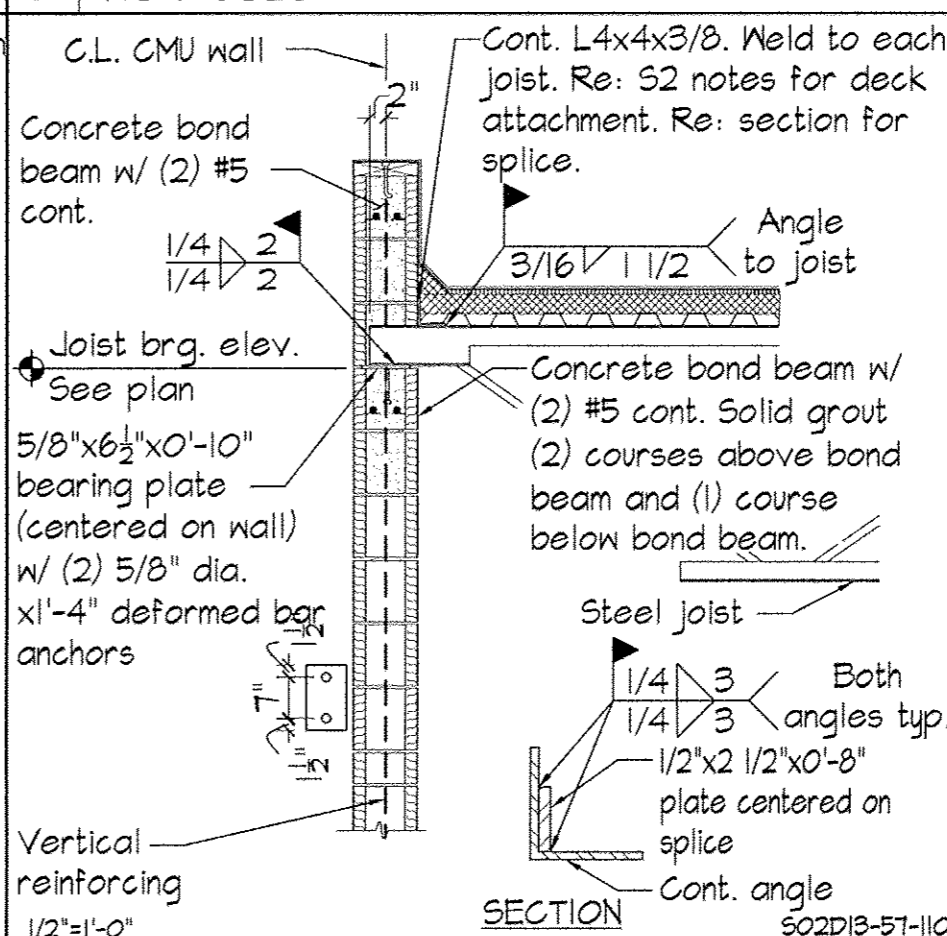
5 | ROOF HATCH FRAME OPENING



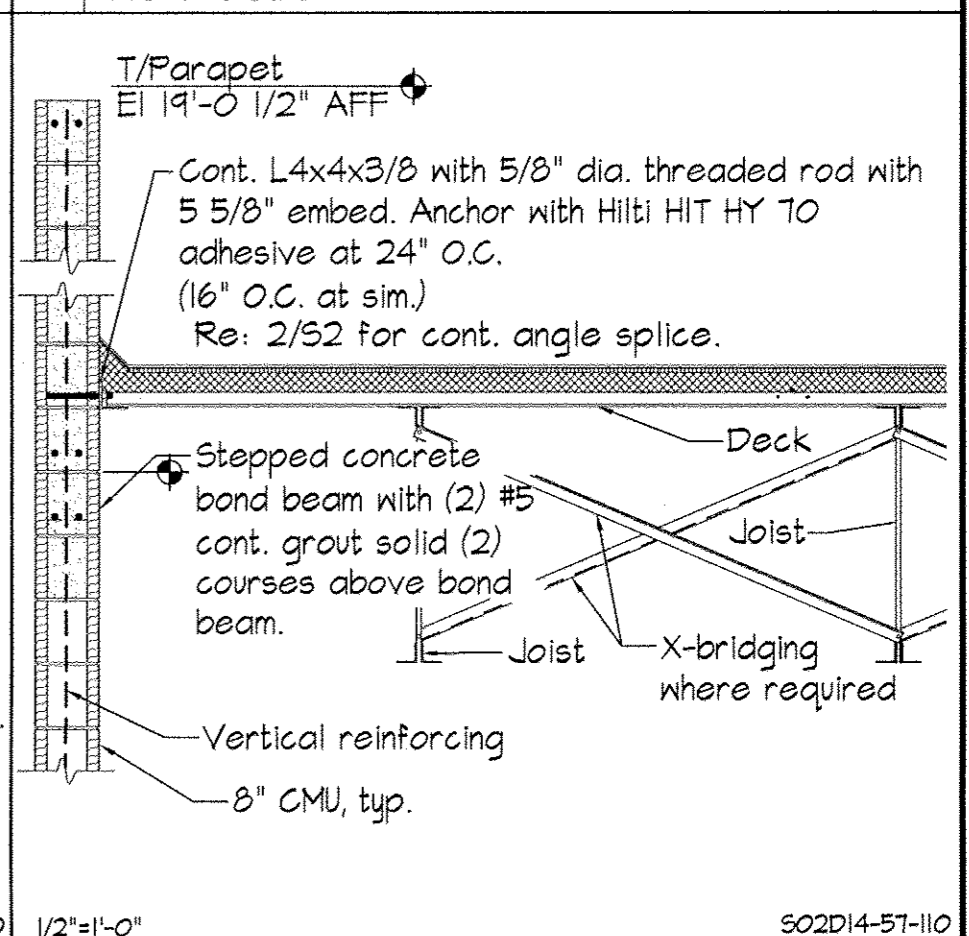
4 | RTU ROOF FRAME / CARRIER



3 | JOIST BEARING AT WALL



2 | JOIST BEARING AT WALL



1 | DECK / BRIDGING AT WALL

<p>AutoZone Store No. 3879 1207 FOREST AVE</p>	<p>REVISIONS</p> <table border="1" style="width: 100%; border-collapse: collapse;"> <tr> <td style="width: 33%; text-align: center;">1</td> <td style="width: 33%; text-align: center;">2</td> <td style="width: 33%; text-align: center;">3</td> </tr> <tr> <td style="width: 33%; text-align: center;">4</td> <td style="width: 33%; text-align: center;">5</td> <td style="width: 33%; text-align: center;">6</td> </tr> </table>	1	2	3	4	5	6	<p>PORTLAND ME 04103</p>	<p>ROOF FRAMING PLAN AND DETAILS</p>
1	2	3							
4	5	6							
<p>RJF PAUL J. FORD & COMPANY 250 E Broad St., Ste 600 - Columbus, OH 43215 Phone 614.221.6879 www.pauljford.com A62716-0016</p>	<p>Designed By: F.R.D.</p>	<p>Drawn By: A.A.G.</p>	<p>04/21/2016 CUSTOM S2</p>						