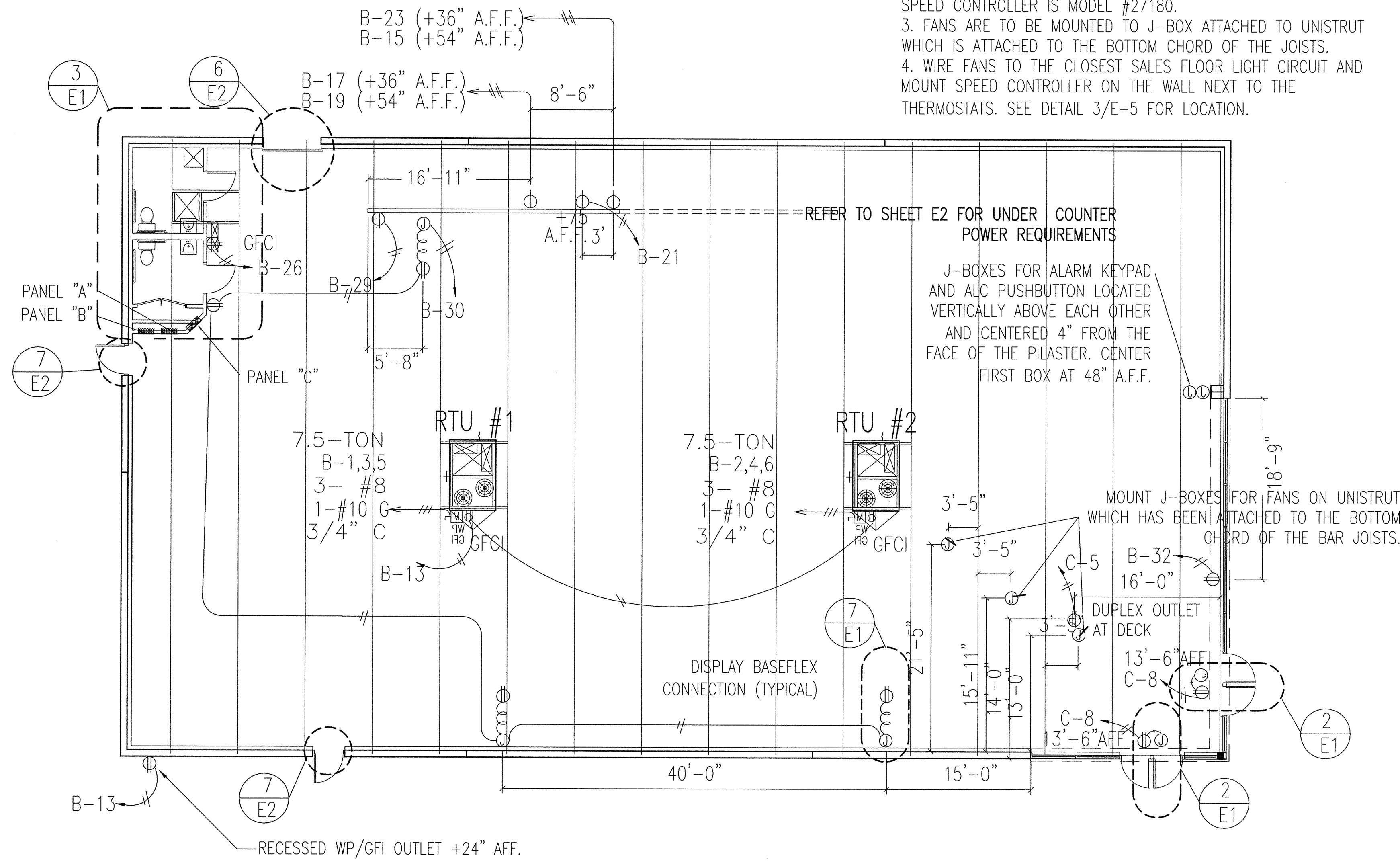


CEILING FAN NOTES:  
 1. CEILING FANS ARE FURNISHED BY AUTOZONE AND INSTALLED BY CONTRACTOR.  
 2. FANS ARE HUNTER MODEL #28692 AND THE WALL MOUNTED SPEED CONTROLLER IS MODEL #27180.  
 3. FANS ARE TO BE MOUNTED TO J-BOX ATTACHED TO UNISTRUT WHICH IS ATTACHED TO THE BOTTOM CHORD OF THE JOISTS.  
 4. WIRE FANS TO THE CLOSEST SALES FLOOR LIGHT CIRCUIT AND MOUNT SPEED CONTROLLER ON THE WALL NEXT TO THE THERMOSTATS. SEE DETAIL 3/E-5 FOR LOCATION.



ELECTRICAL NOTES

DESIGN PARAMETERS: NATIONAL ELECTRICAL CODE - 2014  
 COMPLY WITH LATEST EDITION OF NATIONAL ELECTRIC CODE ALONG WITH ALL LOCAL, STATE, AND UTILITY REGULATIONS OR LAWS. PROVIDE UL APPROVED MATERIALS AND DEVICES.  
 LOAD SUMMARY:

AUTOZONE ELECTRICAL LOAD SUMMARY			
LOAD NAME	CONNECTED VA	LOAD NAME	CONNECTED VA
INDOOR LIGHTING	11774	EQUIPMENT	27711
OUTDOOR LIGHTING	2892	COOLING	29088
RECEPTACLES	1440	TOTALS	74405
WATER HEAT	1500		

ITEMS FURNISHED BY AUTOZONE:

- A. FUSED DISCONNECTS
- B. PANELBOARDS
- C. CIRCUIT BREAKERS
- D. ALL LIGHT FIXTURES
- E. LAMPS
- F. LIGHTING CONTROL PANEL & ACC.
- G. OCCUPANCY SENSING LIGHT SWITCHES
- H. PHOTOCELLS
- I. CONTROL RELAYS
- J. BALLASTS
- K. SITE LIGHT POLES AND BRACKETS

WORK INCLUDED:

- A. CONDUIT, WIRES, CABLE, AND WIRING DEVICES.
- B. PRIMARY WIRING, CONDUIT AND FINAL CONNECTIONS FOR ALL SIGN CIRCUITS.
- C. CONDUIT AND PULL STRINGS FOR DATA/TELEPHONE RUNS. (WIRING N.I.C.)
- D. CONDUIT AND PULL STRINGS FOR THERMOSTATS (WIRING BY MECHANICAL CONTRACTOR).
- E. CONDUIT AND PULL STRINGS FOR SECURITY SYSTEM (WIRING N.I.C.).
- F. FIELD TESTING.
- G. ELECTRIC SERVICE ENTRANCE AND UTILITY COORDINATION.
- H. TELEPHONE SERVICE ENTRANCE AND UTILITY COORDINATION.

SERVICE ENTRANCE, ELECTRIC AND TELEPHONE:

- A. ALL WIRE CONNECTIONS AND TERMINATIONS IN WIREWAY, SERVICE DISCONNECTS AND PANELBOARDS SHALL BE RATED AT 75 DEG C.
- B. SUBMIT TO LOCAL UTILITY ALL REQUIRED DRAWINGS, LOADS AND ANY OTHER INFORMATION NEEDED TO OBTAIN SERVICE.
- C. PROVIDE ALL MATERIALS AND INSTALLATION REQUIRED TO COMPLETELY CONNECT TO THE SERVING UTILITY. WORK SHOULD INCLUDE, BUT NOT NECESSARILY BE LIMITED TO, PRIMARY CONDUITS, CABLE (IF REQUIRED), PAD MOUNTED TRANSFORMER PADS, GROUNDING METERING PROVISIONS, SECONDARY CONDUCTORS AND CONDUIT, ALL AS REQUIRED BY THE LOCAL UTILITY.
- D. FURNISH AND INSTALL CONDUIT ALONG WITH PULL BOXES, FOR TELEPHONE SERVICE AS REQUIRED BY SERVICE PROVIDER. SEE CIVIL DRAWINGS FOR LOCATIONS AND CONDUIT SIZE. CONDUIT IS TO RUN FROM THE TELEPHONE PANEL LOCATION IN THE BUILDING TO THE TELEPHONE COMPANY'S POINT OF CONNECTION, WHICH WILL EITHER BE A GROUND MOUNTED PEDESTAL OR A POINT USUALLY BETWEEN 10 FEET AND 15 FEET ABOVE GRADE ON A UTILITY POLE. CONDUIT SHALL BE CONTINUOUS FROM END TO END.

PANELBOARDS:

- A. INSTALL PANELBOARDS SECURELY INTO POSITION AS SHOWN ON DETAIL 2/E5 AND 3/E5
- B. CONTRACTOR TO VERIFY WITH THE UTILITY COMPANY THAT THE PANELS ARE ACCEPTABLE AND IF NOT, CONTACT THE AUTOZONE PROJECT MANAGER FOR FURTHER INSTRUCTIONS.
- C. CONNECT ALL CIRCUITS EXACTLY AS SHOWN ON THE PANEL SCHEDULE.

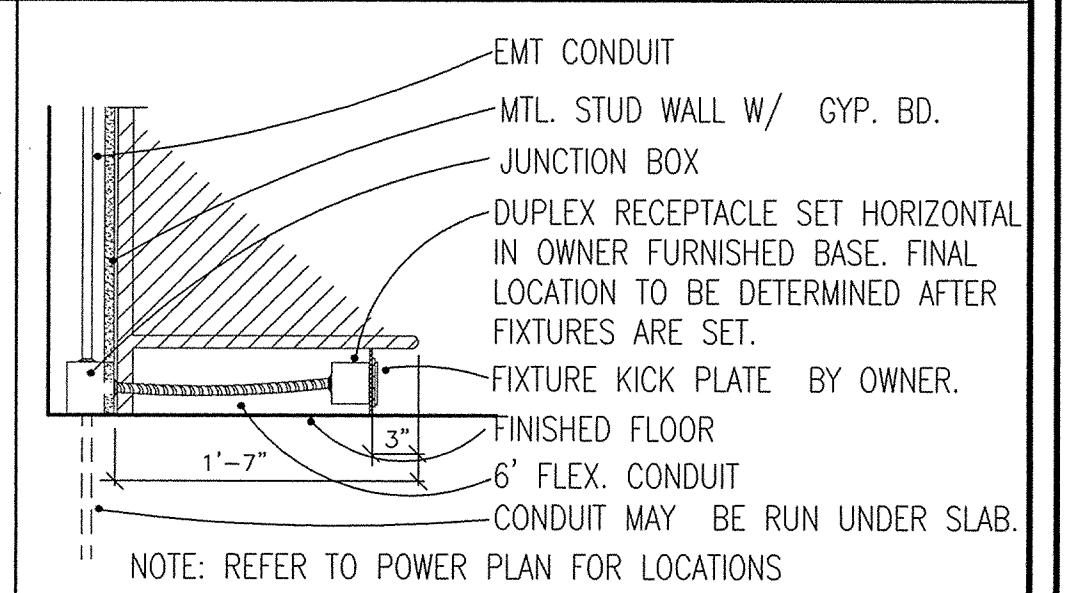
3/32" = 1'-0"

4 GENERAL NOTES

SYM	DESCRIPTION	FURN.	REMARKS
⊗	EXHAUST FAN RECESSED	AUTOZONE	INSTALLED BY HVAC CONTRACTOR, WIRED BY ELECTRICAL CONTRACTOR.
Ⓝ	JUNCTION BOX	G.C.	SEE SHT. E2 FOR ADDITIONAL JUNCTION BOX LOCATIONS AND REQUIREMENTS AT DOORS FOR ALARMS.
Ⓣ	THERMOSTAT	AUTOZONE	WALL MOUNT ABOVE ELECTRICAL PANELS. 9'-0" A.F.F. MAX.
Ⓜ	HVAC DISCONNECT WITH UNIT		REFER TO HVAC SPECIFICATIONS
Ⓟ	POWER POLES	AUTOZONE	REFER TO PLAN FOR LOCATION
Ⓞ	SIMPLEX RECPT.	G.C.	REFER TO PLAN FOR LOCATIONS
Ⓞ/Ⓞ	DUPLEX RECPT./ FLOOR RECPT.	G.C.	REFER TO PLAN FOR LOCATIONS
Ⓞ	QUADPLEX RECPT.	G.C.	REFER TO PLAN FOR LOCATIONS
ⓄWP/GFI	WEATHERPROOF DUPLEX RECPT.(GFI)	G.C.	REFER TO PLAN FOR LOCATIONS
Ⓞ	JUNCTION BOX WITH 6'-0" FLEX CONDUIT AT WALL & H.P. COUNTERS	G.C. (FIXTURE KICK PLATE BY OWNER)	J-BOX AT FLOOR LEVEL, FLEX CONDUIT SET UNDER DISPLAY FIXTURES. RECEPTACLE MOUNTED TO BASE PLATE. SEE DETAIL 7/E1

5 POWER SCHEDULE

- A. ELECTRICAL CONTRACTOR TO PROVIDE EMPTY CONDUIT & BOXES BETWEEN RTU'S AND THERMOSTAT LOCATIONS INDICATED. MECHANICAL CONTRACTOR TO PROVIDE CONTROL WIRING AND COMPLETE INSTALLATION. REFER TO SHEETS E5 AND M1. J-BOXES FOR THERMOSTATS SHALL BE INSTALLED HORIZONTALLY W/ A MINIMUM OF 6" BETWEEN BOXES.
- B. REFER TO SHEET E2 FOR POWER POLE, JUNCTION BOX AND FLOOR OUTLET LOCATIONS. ALL OTHER CONDUITS FOR RECEPTACLE MAY BE RUN EITHER OVERHEAD OR UNDER SLAB.
- C. REFER TO SHEET E3 FOR JUNCTION BOX LOCATIONS AND POWER CIRCUITS FOR WALL SIGNAGE. ELECTRICAL CONTRACTOR SHALL MAKE ALL FINAL CONNECTIONS FOR WALL SIGNAGE.
- D. CONDUIT RUN OVERHEAD SHALL BE POSITIONED TO BE TIGHT AGAINST THE BOTTOM OF THE TOP CHORD OF THE BAR JOIST, AND BE IN COMPLIANCE WITH THE REQUIREMENTS OF THE NATIONAL ELECTRIC CODE.
- E. REFER TO CIVIL DRAWINGS FOR PARKING LOT SITE LIGHT LOCATIONS AND PYLON SIGN LOCATION. PARKING LOT SITE LIGHTS TYPICALLY HAVE TWO 400W FIXTURES PER POLE AND SHOULD BE WIRED TWO POLES PER CIRCUIT. FINAL CONNECTIONS FOR PYLON SIGN AND BUILDING WALLS SIGNS TO BE MADE BY ELECTRICAL CONTRACTOR.
- F. REFER TO DETAIL 3 AND 4/M1 FOR RTU CONVENIENCE OUTLET LOCATION.
- G. MOUNT JUNCTION BOX TIGHT TO FLOOR FOR DISPLAY BASE FLEX OUTLET. OUTLET ON FLEX TO BE INSTALLED HORIZONTALLY IN FIXTURE BASE AFTER FIXTURES ARE SET IN PLACE.
- H. NO RECEPTACLE BRANCH CIRCUIT SHALL BE INSTALLED IN A MULTI-WIRE BRANCH CIRCUIT CONFIGURATION. NEUTRAL CONDUCTORS SHALL NOT BE SHARED BETWEEN DIFFERENT CIRCUITS.

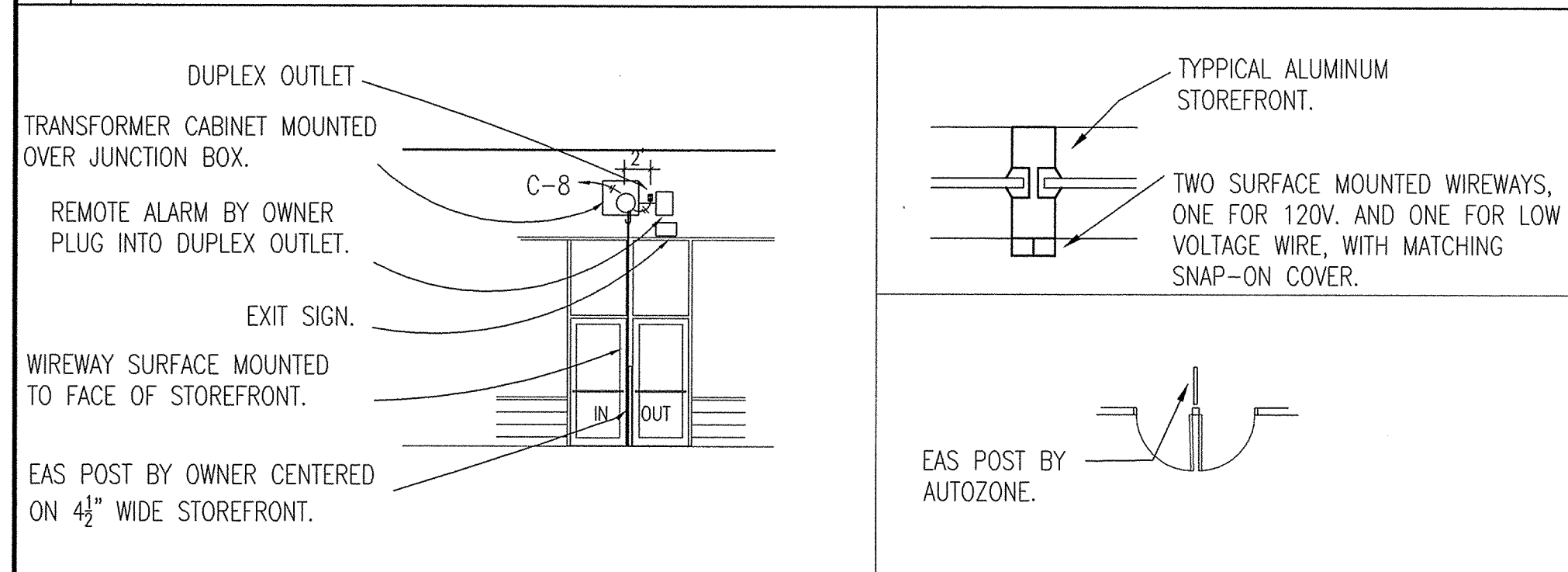


1" = 1'-0"

7 RECEPTACLE DETAIL / SUPPLY FIXTURES

1/8" = 1'-0"

POWER PLAN



NOTES:

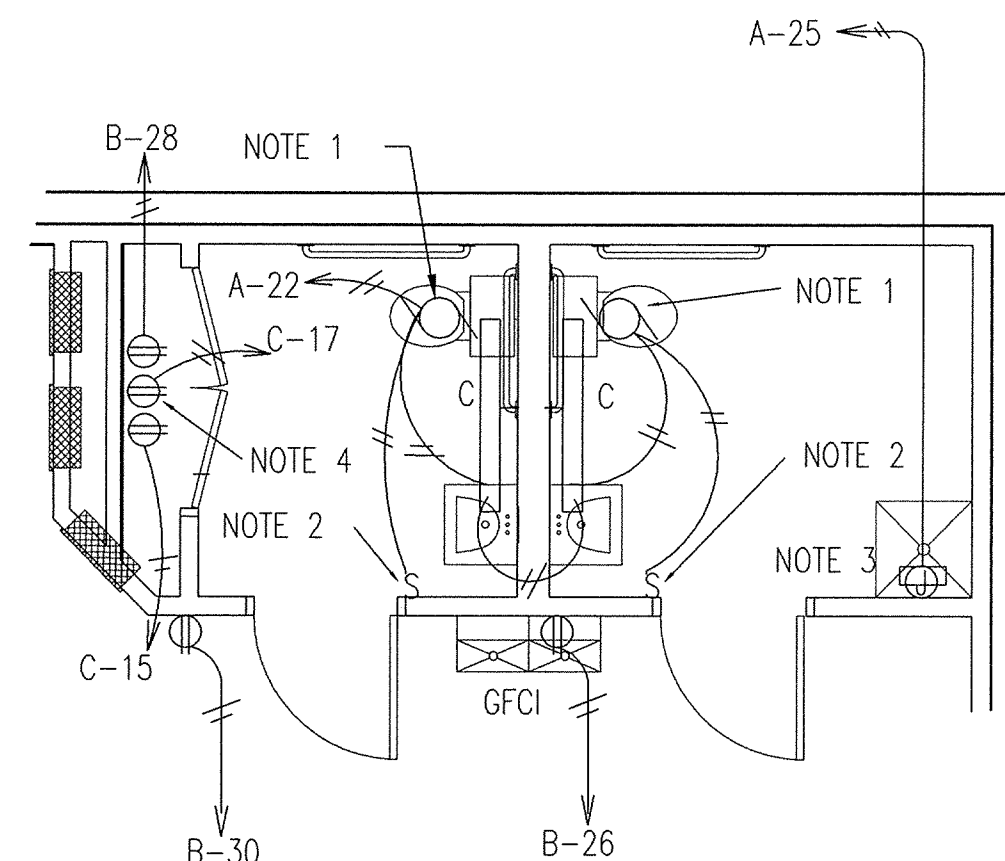
- 1. AUTOZONE'S EQUIPMENT INSTALLER WILL FURNISH & INSTALL ALL REQUIRED SECURITY ALARM EQUIPMENT INCLUDING FLOOR POST, TRANSFORMER CABINET AND REMOTE ALARM SOUNDER AND COUNTER ABOVE THE DOOR.
- 2. GENERAL CONTRACTOR TO INSTALL DUAL WIREWAY ON THE SURFACE OF THE STOREFRONT IN ROUTING AS INDICATED TO CONNECT FLOOR-MOUNTED EAS POST TO THE JUNCTION BOX ABOVE STOREFRONT.
- 3. GENERAL CONTRACTOR TO LEAVE SNAP-ON COVER OFF SO THAT AUTOZONE'S EQUIPMENT VENDOR CAN INSTALL LOW VOLTAGE WIRING FOR THE REMOTE ALARM.

1/8" = 1'-0"

EAN01N

2 ELECTRONIC SECURITY DETAIL

1/4" = 1'-0"



NOTES:

- 1. CONNECT EXHAUST FANS TO RESTROOM LIGHTS, SWITCH WITH LIGHTS.
- 2. LOCATE LIGHT SWITCH AT 48" ABOVE FINISHED FLOOR
- 3. WATER HEATER WILL BE A MINITANK ARISTON MODEL GL 4 TI, PROVIDED BY AUTOZONE. ELECTRICAL CONTRACTOR TO PROVIDE FINAL HOOKUP OF WATER HEATER. WATER HEATER TO BE MOUNTED ON THE WALL ABOVE THE MOP SINK.
- 4. REFER TO DETAIL 1/E4 FOR LOCATION OF OUTLETS IN THE TELEPHONE AND ALARM CLOSET.
- 5. CENTER LIGHT FIXTURE ON WALL AT 6'-8" ABOVE FINISHED FLOOR

EPP01R

3 RESTROOM POWER AND LIGHTING

1/8" = 1'-0"

6 ELECTRICAL NOTES

EPN01

REVISIONS

REV	DATE	DESCRIPTION
1	REV1	
2	REV2	
3	REV3	
4	REV4	
5	REV5	
6	REV6	

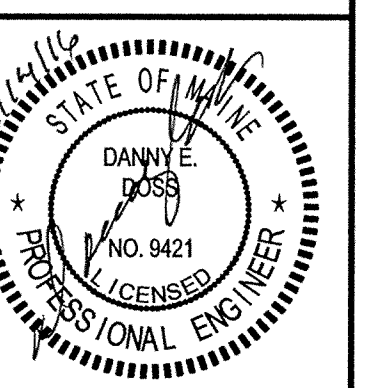
AutoZone Store No. 3879

1207 FOREST AVE

PORTLAND ME 04103  
POWER PLAN / GENERAL NOTES

ENGINEER: DANNY E. DOSS P.E.

132 Kelley Drive  
Rogers, Arkansas 72756  
TEL: (479) 631-1712 FAX: (479) 631-1854  
For Bidding & Contractor Information Contact:  
McGraw-Hill Construction Tel. 615-884-1017  
www.construction.com



04/04/16

7N2-R

E-1