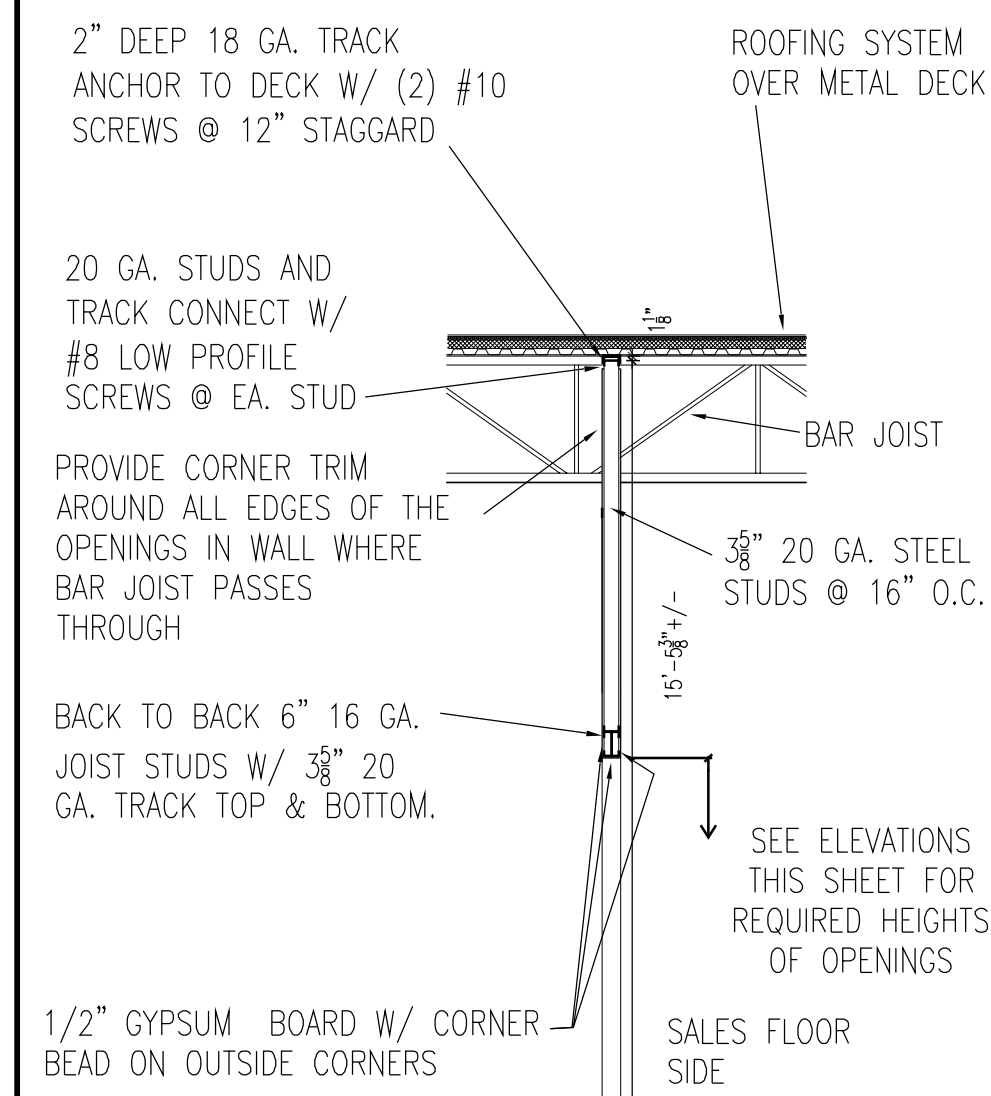


1. SEALED CONCRETE
2. 12" X 12" VINYL COMPOSITION FLOOR TILE.
3. ALL GYPSUM BOARD WALLS TO RECEIVE 4" BLACK VINYL BASE.
4. INSTALL BLACK NEOPRENE EDGE STRIP WHERE VINYL MEETS SEALED CONCRETE.

1/8" = 1'-0"

INTERIOR TILE PLAN



NOTE: INSTALL 6" WIDE, 20GA. METAL STRIP HORIZONTALLY BOTH SIDES OF WALL BEHIND GYP.BD. ATTACH TO HORIZONTAL TRACK AT 16" O.C. AND EACH STUD, CENTER OF STRIP TO BE 90° A.F.F.

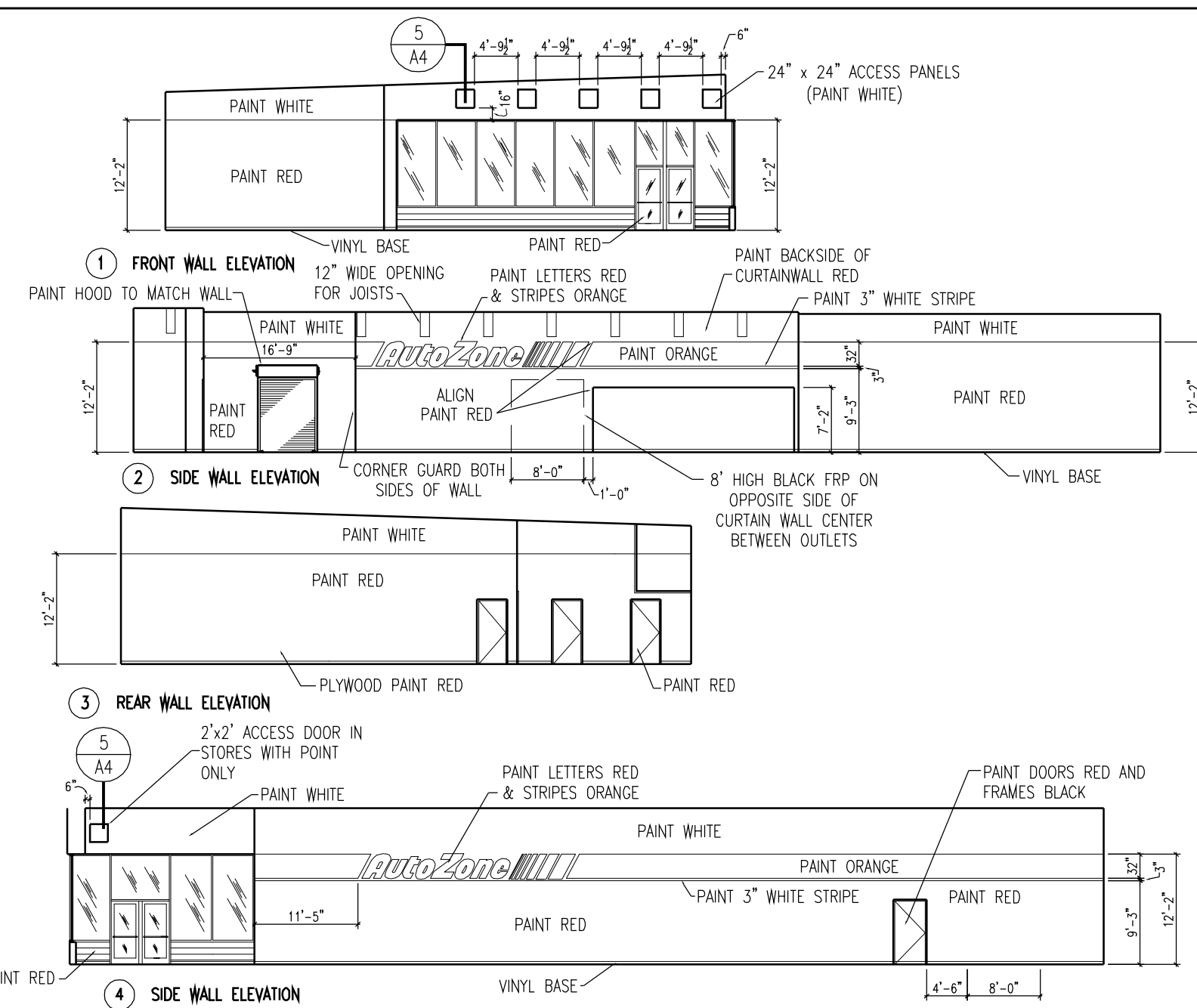
1/4" = 1'-0"

CURTAIN WALL

AIS047N2

1/16" = 1'-0"

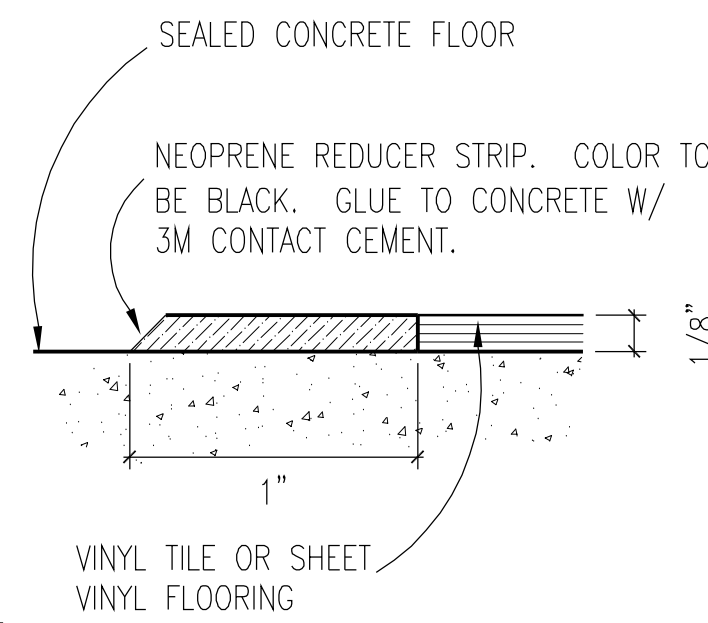
INTERIOR ELEVATIONS



AIE017n2R

1/2" = 1'-0"

ACCESS PANEL SECTION



FULL SIZE

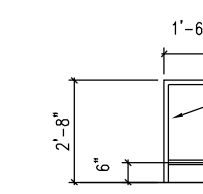
4 TRANSITION STRIP

AIS01

1/2" = 1'-0"

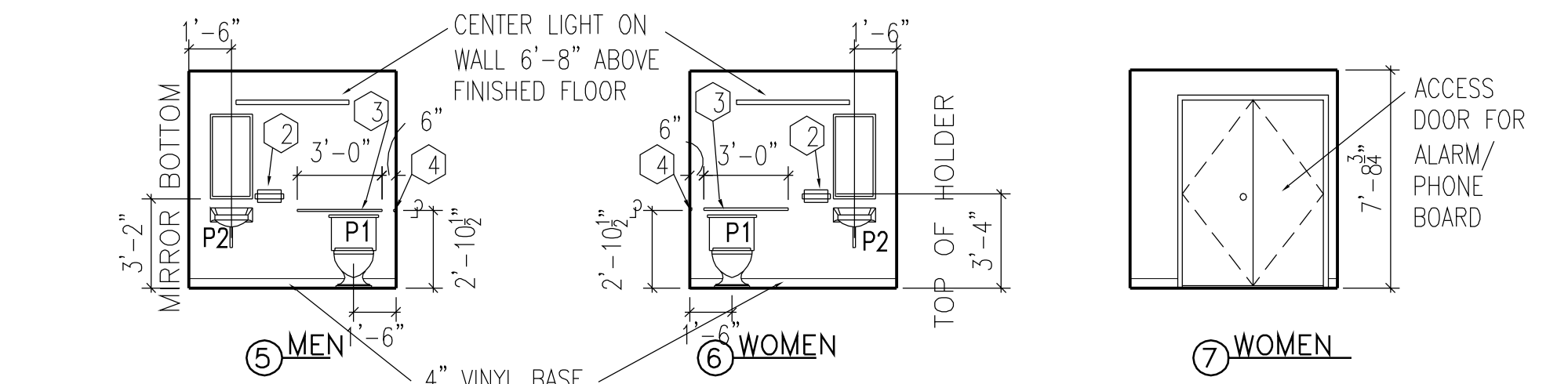
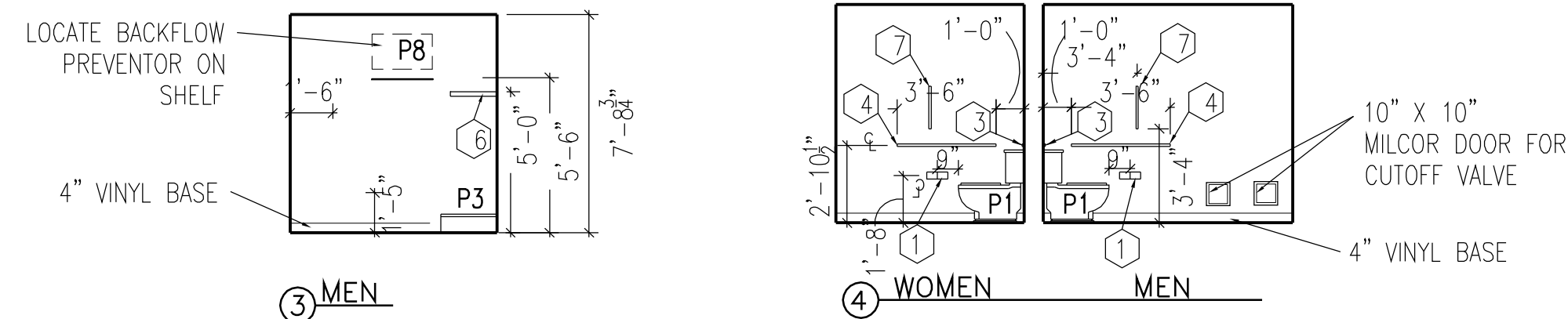
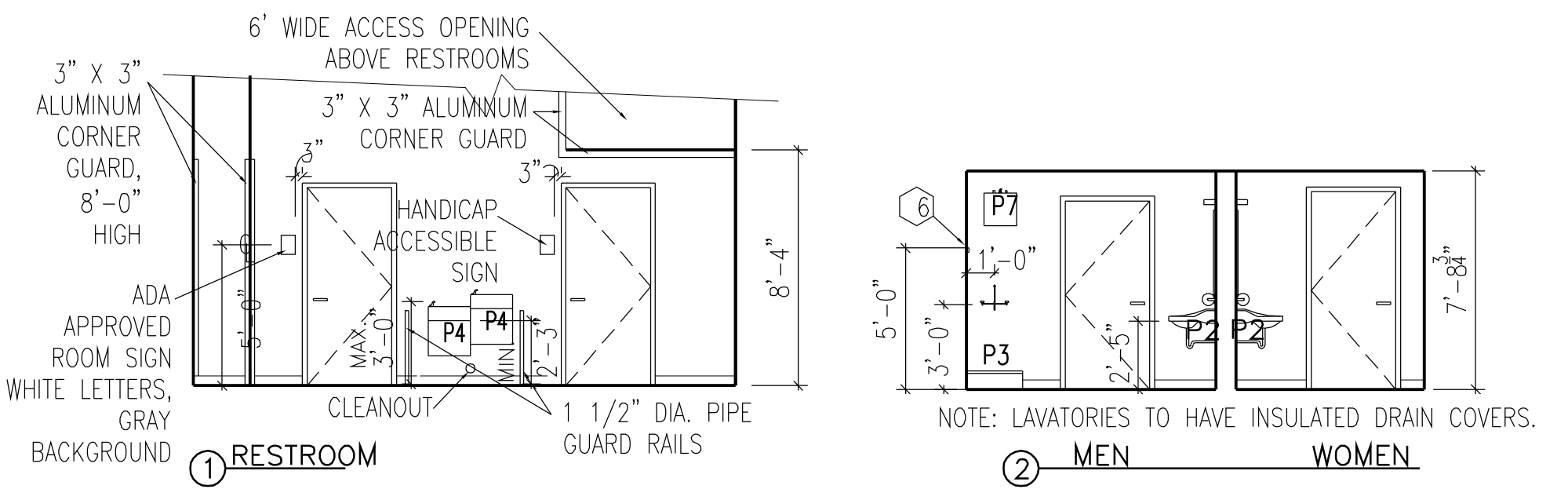
ACCESS PANEL SECTION

AIS03



1.5" DIA. STEEL PIPE GUARD RAILS PAINT RED EACH SIDE OF D.F. ANCHOR TO WALL AND FLOOR.

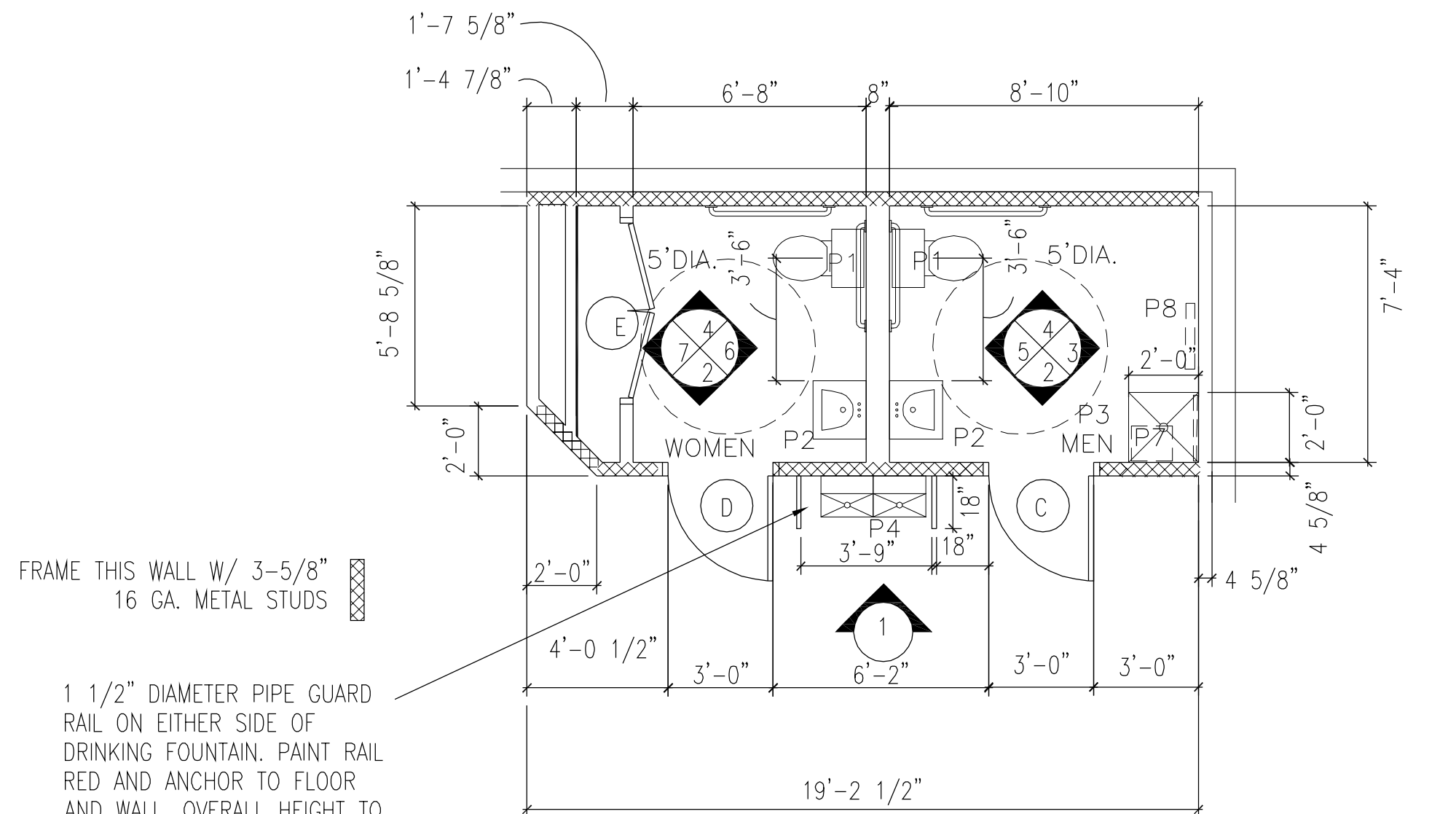
NOTE: ALL INTERIOR WALLS TO RECEIVE FLOOR TO CEILING FIBERGLASS REINFORCED PANELS. FIBERGLASS REINFORCED PANELS MEETS CLASS A FIRE RATING



3/32" = 1'-0"

6 INTERIOR BATHROOM ELEVATIONS

ABE01R



NOTE: REFER TO 1/A1 FOR RESTROOM LOCATION

1/4" = 1'-0"

7 RESTROOM PLAN

APB0165W2R

FIXTURES

ACCESSORIES

P1 TOILET	P5 NOT USED	1 TOILET PAPER HOLDER	4 GRAB BAR 42" LONG 1-1/2" DIA.
P2 LAVATORY	P6 NOT USED	2 PAPER TOWEL HOLDER	5 MIRROR - 18"x36" H. FRAMED GLASS
P3 MOP SINK	P7 WATER HEATER	3 GRAB BAR 36" LONG 1-1/2" DIA.	6 MOP HOLDER
P4 ELECTRIC DRINKING FOUNTAIN	P8 BACKFLOW PREVENTOR		7 GRAB BAR 18" LONG 1-1/2" DIA.

1/8" = 1'-0"

8 RESTROOM LEGEND

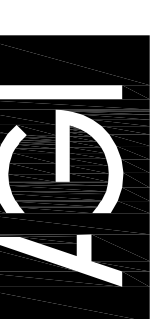
ABL01

REVISIONS

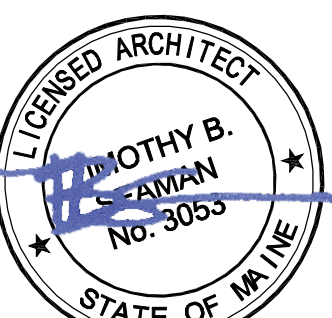
1	REV1	
2	REV2	
3	REV3	
4	REV4	
5	REV5	
6	REV6	

AutoZone Store No. 3879
1207 FOREST AVE

PORTLAND ME 04103



ARCHITECTURAL GROUP INTERNATIONAL
15 West Seventh Street, Covington, KY 41011
P: 859.261.5400 F: 859.261.5590
www.igi-usa.com
design@igi-usa.com



04/04/16

7N2-R

A-4