

NOTE: (F) = 2A 10BC FIRE EXTINGUISHER. GENERAL CONTRACTOR. INSTALL EITHER ON WALL SURFACE OR ALUMINUM MULLION. MOUNTING HEIGHT = 3'-6" ABOVE FINISHED FLOOR TO TOP OF EXTINGUISHER.

1/8" = 1'-0"

FLOOR PLAN

- REFER TO STRUCTURAL DRAWINGS FOR ALL DETAILS AND REQUIREMENTS REGARDING FOUNDATIONS, WALL REINFORCING, BOND BEAMS, LINTELS, AND ROOF FRAMING.
- REFER TO CIVIL DRAWINGS FOR LOCATIONS AND DETAILS OF SIDEWALKS, PIPE GUARDS, ETC., AS WELL AS FINISH FLOOR ELEVATION AND EXTERIOR FINISHED GRADES AROUND THE BUILDING.
- INSTALL 6" WIDE, 20 GAUGE GALVANIZED SHEET METAL STRIP BETWEEN THE BACK OF THE GYPSUM BOARD AND THE FACE OF THE METAL STUD AROUND THE ENTIRE PERIMETER OF THE BUILDING, AS WELL AS BOTH SIDES OF THE CURTAIN WALL. TOP OF STRIP TO BE 93" ABOVE FINISHED FLOOR. REFER TO SHEET A-4 FOR DETAILS OF CURTAIN WALL.
- SEE SHEET M-2 FOR LOCATION OF NON FREEZE YARD HYDRANT AND INSTALLATION REQUIREMENTS.
- INSTALL 1/2" X 4'-0" X 8'-0" AC PLYWOOD HORIZONTALLY WITH THE LONG EDGE ON THE FLOOR AND THE END JOINT CENTERING ON A STUD. APPLY PLYWOOD TO THE FACE OF GYPSUM BOARD WITH SCREWS TO FACILITATE FUTURE REPLACEMENT. SEE INTERIOR ELEVATIONS SEE 3/44 DETAIL.
- SEE SPECIFICATIONS FOR INFORMATION ON ITEMS NOT COMPLETELY DELINEATED ON THE DRAWINGS.

FLOOR PLAN NOTES

LOCATION	FLOOR	BASE	WALLS	CLG.	REM.
	SEALED CONCRETE	VINYL TILE	VINYL	QUARRY TILE	GYPSUM BOARD FIBER REINFORCED PANELS METAL DECK GYPSUM BOARD
SALES AREA	●	●	●	●	●
REST ROOMS	●	●	●	●	●

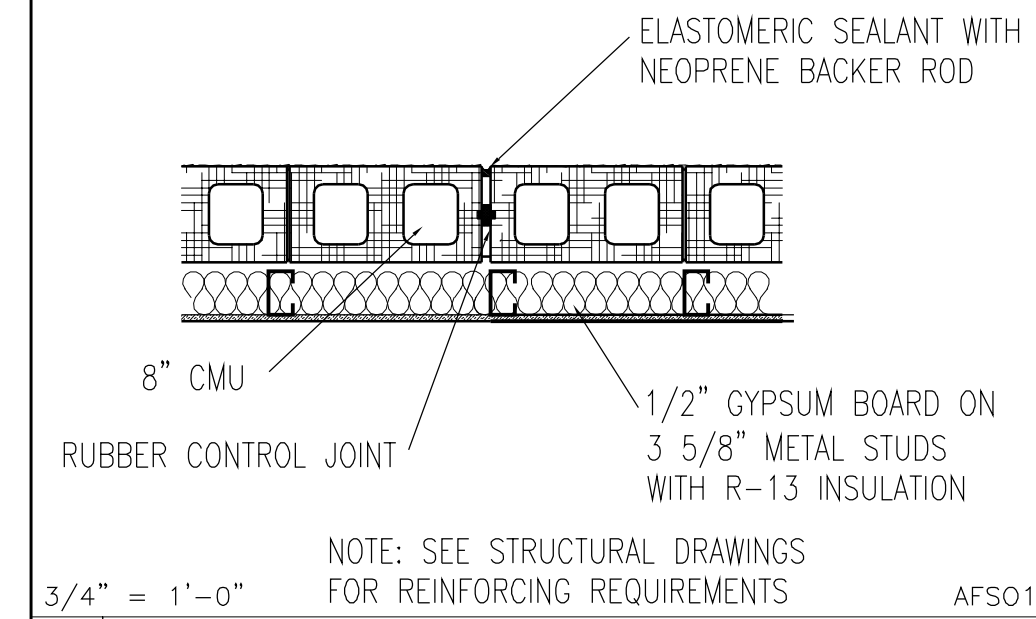
3/16" = 1'-0"

ROOM FINISH SCHEDULE

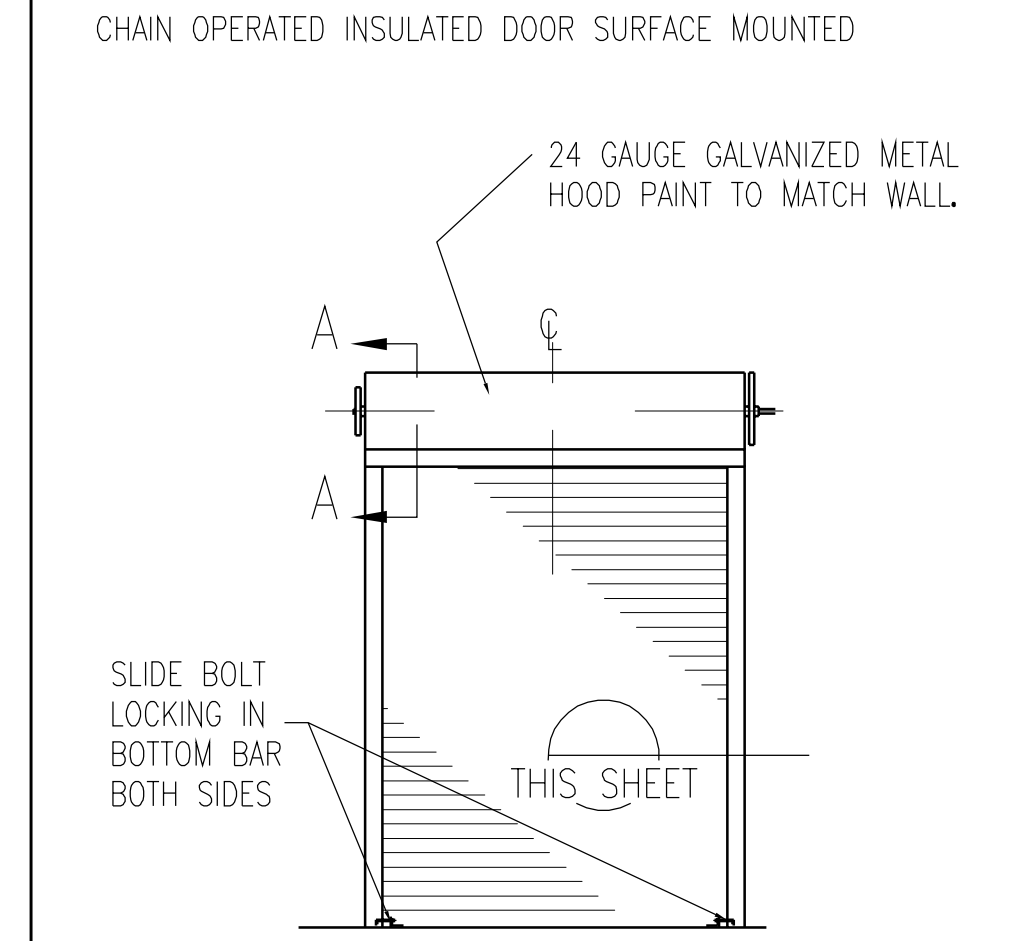
MK	SIZE	TYPE	FRAME	JAMB DETAIL	HEAD DETAIL	ADA / EXIT HARDWARE
A	6'-0" x 8'-0"	STEEL OVERHEAD ROLL-UP	STEEL ANGLE	6;7&8/A1	6&7/A1	
B	3'-0" x 7'-0" x 1-3/4"	HOLLOW METAL	HOLLOW METAL	8/A1	8/A1	PUSH BAR EXIT DEVICE WILL HAVE AN INTEGRAL SOUNDER
C	3'-0" x 6'-8" x 1-3/4"	SOLID CORE WOOD UNDERCUT DOOR 1"	HOLLOW METAL	8/A1	8/A1	LEVER HANDLE PRIVACY SETS
D	3'-0" x 6'-8" x 1-3/4"	SOLID CORE WOOD UNDERCUT DOOR 1"	HOLLOW METAL	8/A1	8/A1	LEVER HANDLE PRIVACY SETS
E	2'-6" x 6'-8" x 1-3/4"	SOLID CORE WOOD PAIR REQUIRED	HOLLOW METAL	8/A1	8/A1	UNDERCUT DOOR 1" (PAIR REQUIRED)
G	3'-0" x 7'-0" x 1-3/4"	GLASS & ALUMINUM SEE SHEET A-5	ALUMINUM			SEE MANUFACTURER'S SHOP DRAWINGS
H	3'-0" x 7'-0" x 1-3/4"	GLASS & ALUMINUM SEE SHEET A-5	ALUMINUM			SEE MANUFACTURER'S SHOP DRAWINGS
J	3'-0" x 7'-0" x 1-3/4"	HOLLOW METAL	HOLLOW METAL	8/A1	8/A1	PUSH BAR EXIT DEVICE

3/32" = 1'-0"

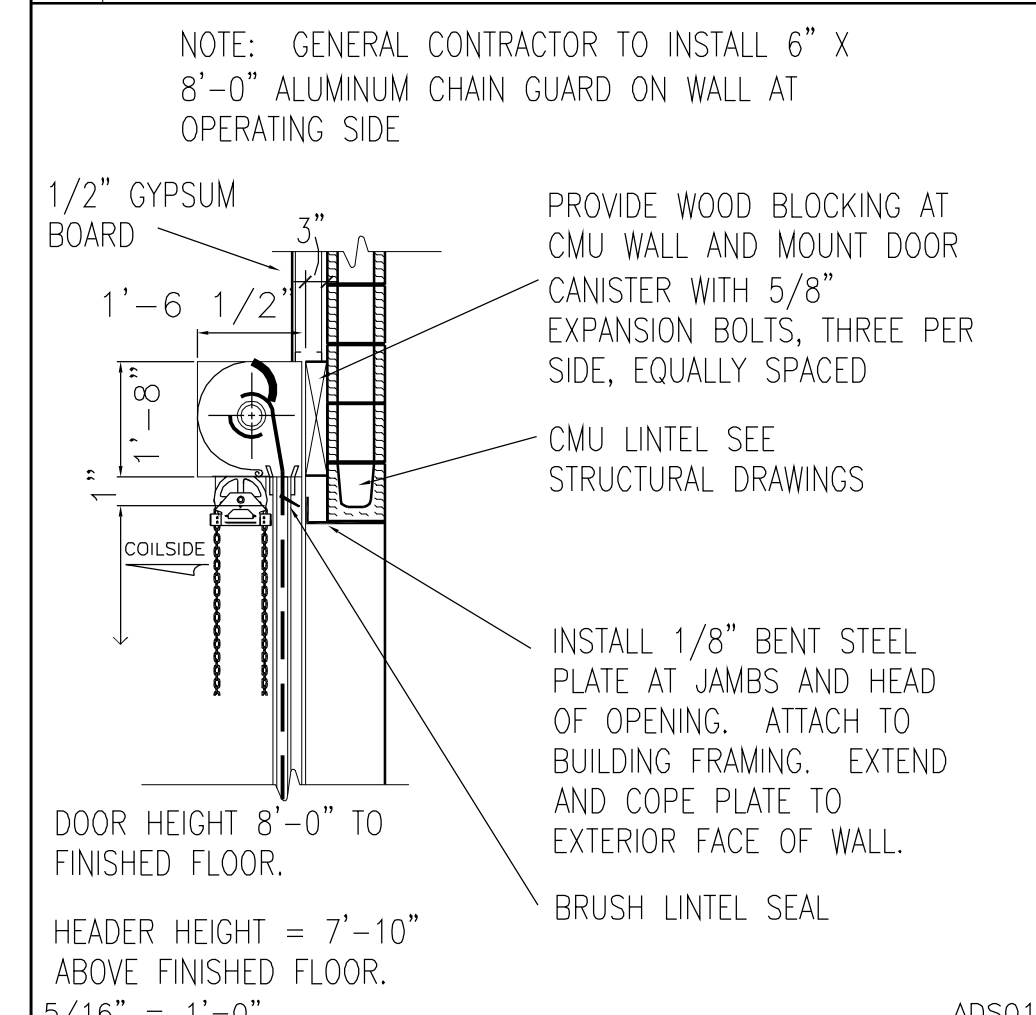
DOOR SCHEDULE - HOLLOW METAL DOORS & FRAMES



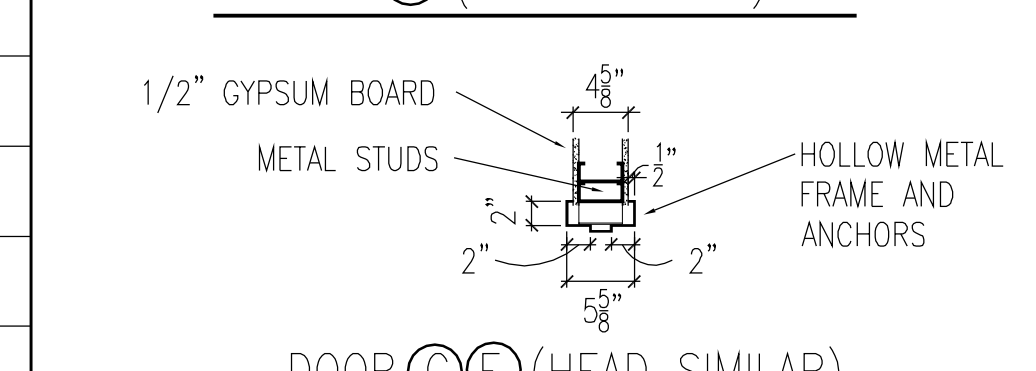
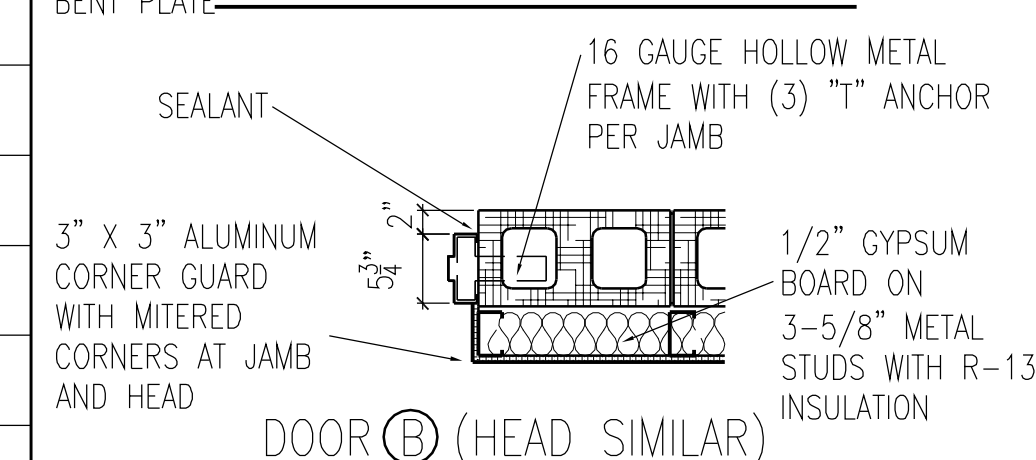
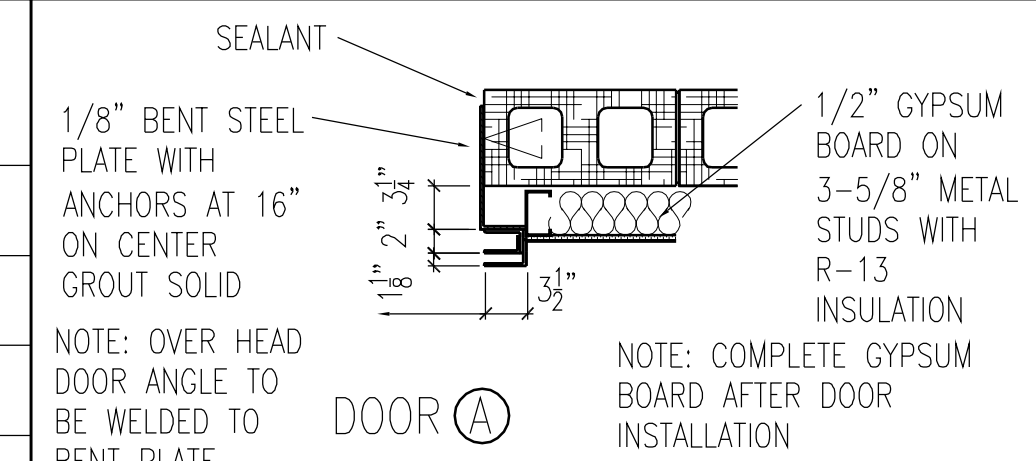
5 EXPANSION JOINT DETAIL



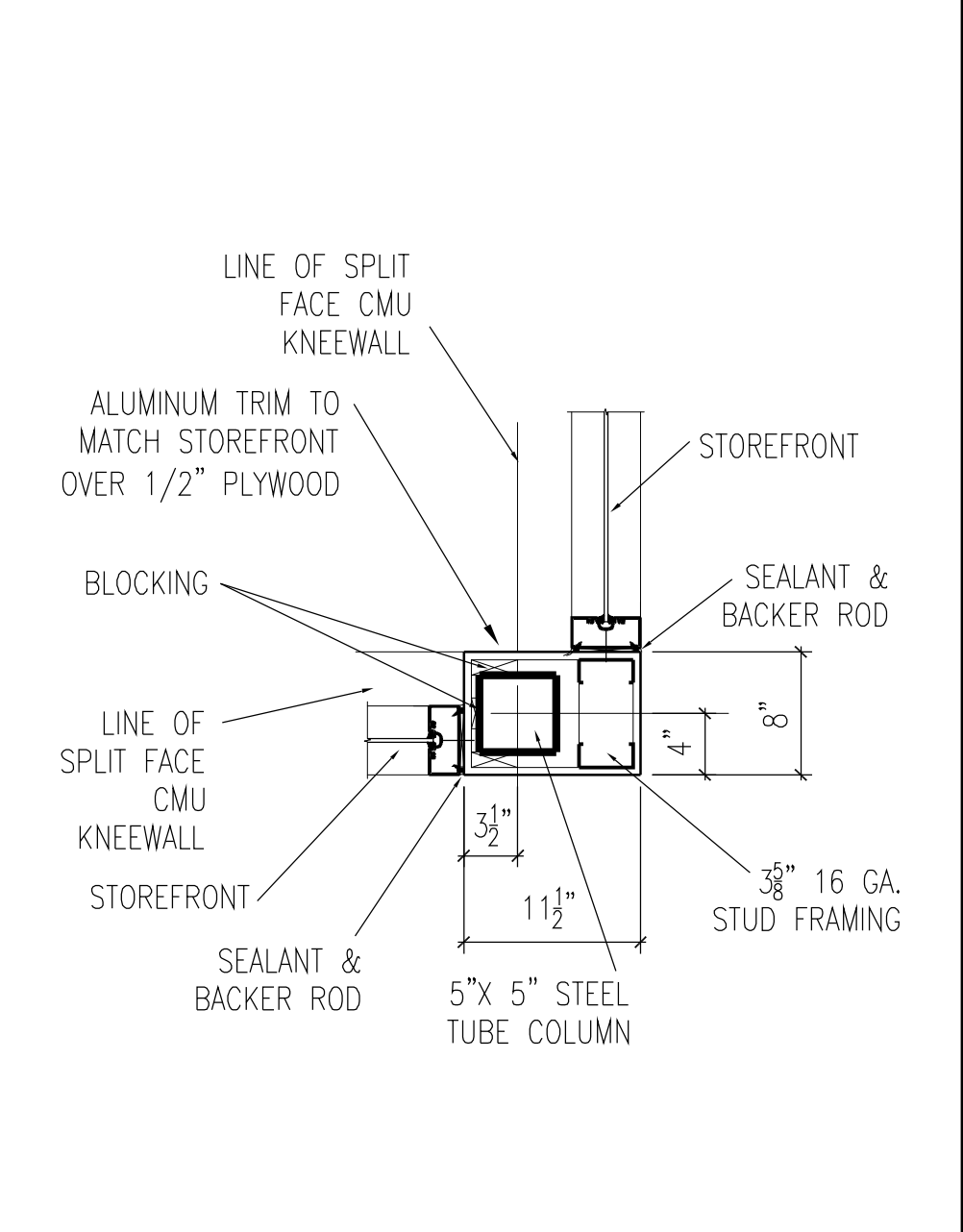
6 OVERHEAD DOOR ELEVATION



7 OVERHEAD DELIVERY DOOR (A)



8 JAMB DETAILS

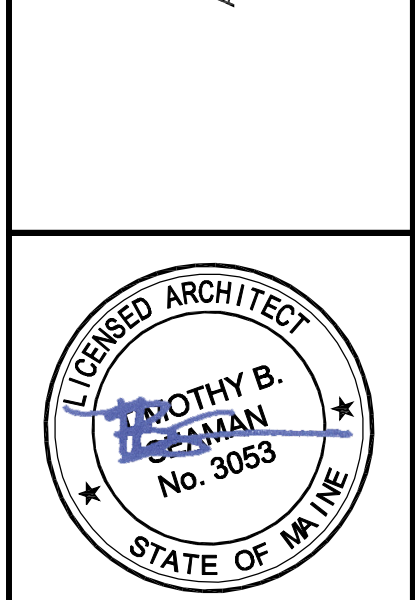


9 JAMB AT CORNER COLUMN

REVISIONS	1	2	3	4	5	6

AutoZone Store No. 3879
1207 FOREST AVE
PORTLAND ME 04103
FLOOR PLAN / DOOR SCHEDULE / WALL DETAILS

ARCHITECTURAL GROUP INTERNATIONAL
15 West Seventh Street, Covington, KY 41011
P: 859-261-5400 F: 859-261-5590
www.agi-usa.com
design@agi-usa.com



04/04/16

7N2-R

A-1