



© 2013 RYAN SENATORE ARCHITECTURE

165 WOODLAWN AVENUE

RENOVATIONS
PORTLAND, MAINE



RYAN SENATORE
ARCHITECTURE
87 GRAY ROAD
GORHAM, MAINE 04038
207-650-6414
senatorearchitecture.com

CONSULTANTS:
STRUCTURAL:
Structural Integrity
77 Oak Street
Portland, ME 04101
207-774-4614

REVISIONS:

DATE:

PROJECT No.

DRAWN BY:

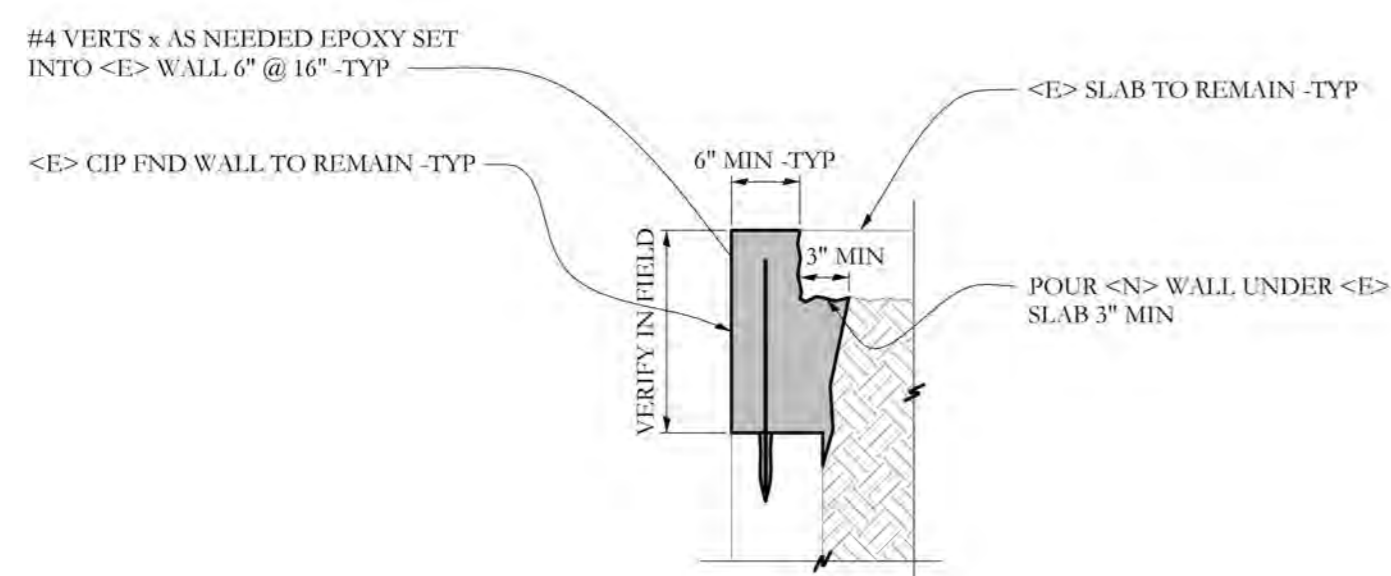
CHECKED BY:

SCALE: AS NOTED

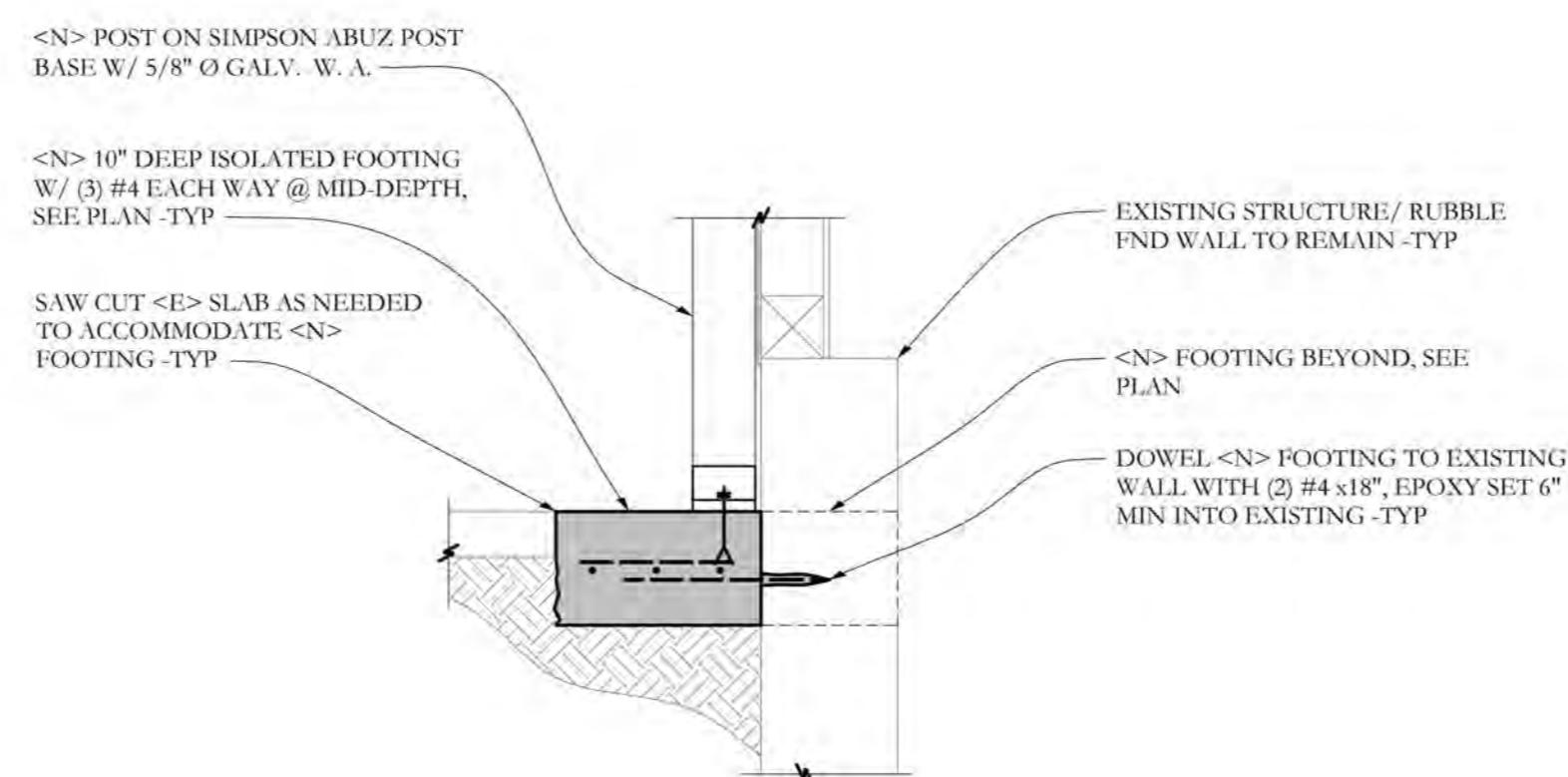
SHEET TITLE:

SECTIONS

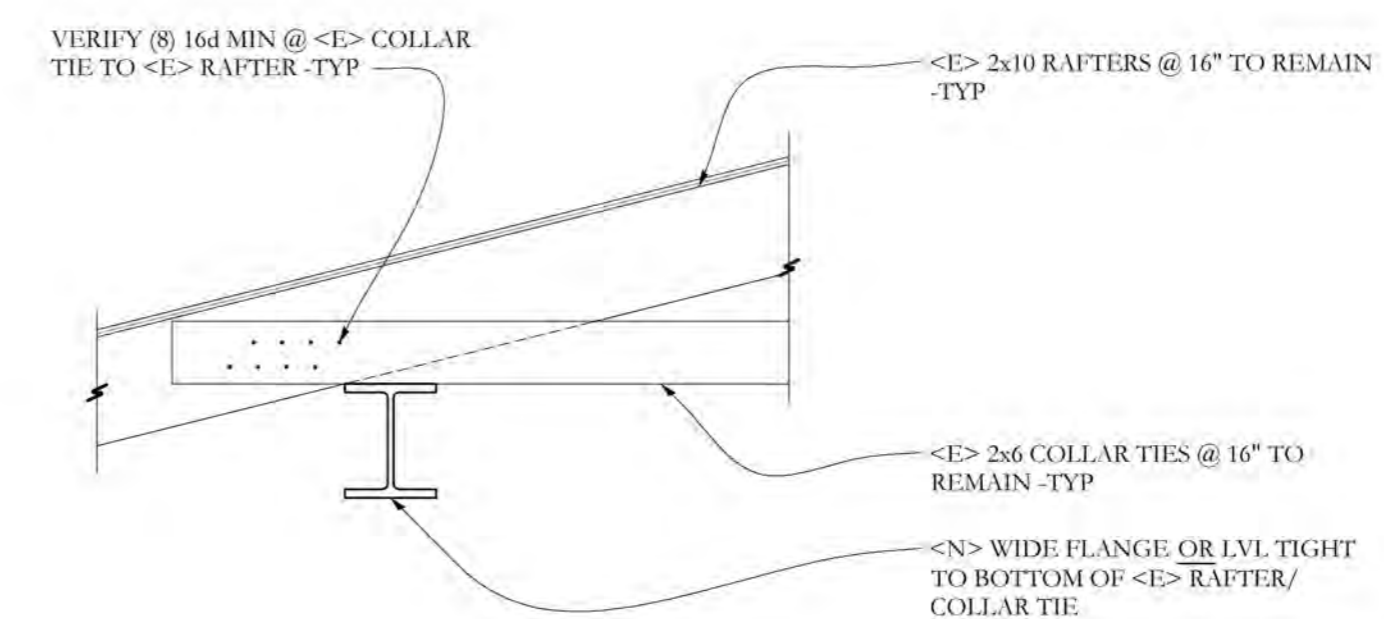
S2.1



SECTION **A** S2.1 3/4"=1'-0



SECTION **B** S2.1 3/4"=1'-0



SECTION **C** S2.1 3/4"=1'-0

Structural Integrity
Consulting Engineers, Inc.

77 Oak Street
Portland, ME, 04101
p. 207-774-4614
f. 866-793-7835
www.structuralinteg.com

BUILD WITH CONFIDENCE
© 2013 Structural Integrity Consulting Engineers, Inc.
SI 13-0183