



PORTLAND MA



Reviewed for Code Compliance
Inspections Division
Approved with Conditions

Date: 01/14/15

Strengthening a Remarkable City, Building a Community for Life • www.portlandmaine.gov

Jeff Levine, AICP, Director
Director of Planning and Urban Development

Tammy Munson
Director, Inspections Division

Electronic Signature and Fee Payment Confirmation

Notice: Your electronic signature is considered a legal signature per state law.

By digitally signing the attached document(s), you are signifying your understanding this is a legal document and your electronic signature is considered a *legal signature* per Maine state law. You are also signifying your intent on paying your fees by the opportunities below.

I, the undersigned, intend and acknowledge that no permit application can be reviewed until payment of appropriate permit fees are *paid in full* to the Inspections Office, City of Portland Maine by method noted below:

Within 24-48 hours, upon receipt of an e-mailed invoice from Building Inspections, which signifies that my electronic permit application and corresponding paperwork have been received, determined complete, entered by an administrative representative, and assigned a permit number, I then have the following four (4) payment options:

Options:

- to provide an on-line electronic check or credit/debit card (we now accept American Express, Discover, VISA, and MasterCard) payment (along with applicable fees beginning July 1, 2014),
- call the Inspections Office at (207) 874-8703 and speak to an administrative representative to provide a credit/debit card payment over the phone,
- hand-deliver a payment method to the Inspections Office, Room 315, Portland City Hall,
- or deliver a payment method through the U.S. Postal Service, at the following address:

City of Portland
Inspections Division
389 Congress Street, Room 315
Portland, Maine 04101

Once my payment has been received, this then starts the review process of my permit. *After all approvals have been met and completed, I will then be issued my permit via e-mail.* No work shall be started until I have received my permit.

Applicant Signature: Stephen R. McCutchen Date: 1/8/15

I have provided digital copies and sent them on: _____ Date: _____

NOTE: All electronic paperwork must be delivered to buildinginspections@portlandmaine.gov or by physical means ie; a thumb drive or CD to the office.

Room 315 - 389 Congress Street- Portland, Maine 04101 (207) 874-8703 - Fax: 874-8716 - TTY: 874-8936



FILL IN AND SIGN WITH INK



Reviewed for Code Compliance
Inspections Division
Approved with Conditions

Application for Heating, Ventilation, Air Condition (HVAC) Cooking or Power Equipment

Date: 01/14/15

To the Inspector of Buildings, Portland Maine:

The undersigned hereby applies for a permit to install the following HVAC, cooking or power equipment in accordance with the Laws of Maine, the Building Code of the City of Portland, and the following specifications:

Address/CBL: 125 Woodlawn Ave. Use of Building: residential Date: 1/8/2015

Name and Address of Owner: Harbor Heights Property Group / 3 Saratoga Lane Scarborough ME 04074

Phone Number Owner: 207-807-2500 E-Mail: Owner: HarborHeightsPG@gmail.com

Name and Address of Installer: Downeast Energy

Phone Number Installer: 207-799-5585 E-Mail: Installer: smccusker@downeastenergy.com

<p>Location of Appliance:</p> <p><input checked="" type="checkbox"/> Basement <input type="checkbox"/> Floor</p> <p><input type="checkbox"/> Attic <input type="checkbox"/> Roof</p> <p>Type of Fuel:</p> <p><input checked="" type="checkbox"/> Gas <input type="checkbox"/> Oil <input type="checkbox"/> Solid</p> <p>Appliance Name: <u>Unknown</u></p> <p>UL Approved: <input type="checkbox"/> Yes <input type="checkbox"/> No</p> <p>Will appliance be installed in accordance with the manufacturer's installation instructions? <input type="checkbox"/> Yes <input type="checkbox"/> No</p> <p>Type of License of Installer:</p> <p>Master Plumber #: _____</p> <p>Solid Fuel #: _____</p> <p>Oil #: _____</p> <p>Gas #: <u>PNT 1665</u></p> <p>Other: _____</p>	<p>Type of Venting: (Plan required for submittal)</p> <p><input type="checkbox"/> Masonry Lined</p> <p><input type="checkbox"/> Factory Built: _____</p> <p><input type="checkbox"/> Metal</p> <p><input type="checkbox"/> Factory Built UL Listing: _____</p> <p><input type="checkbox"/> Direct Vent</p> <p>Type: _____ UL #: _____</p> <p># of Tanks: <u>Two (2)</u></p> <p>Type of Fuel Tank:</p> <p><input checked="" type="checkbox"/> Gas <input type="checkbox"/> Oil</p> <p>Size of Tank: <u>120</u></p> <p>Distance from tank to center of flame: <u>10 feet</u></p> <p>Cost of Work: \$ <u>\$129.00</u></p> <p>Permit Fee: \$ _____</p>
---	--

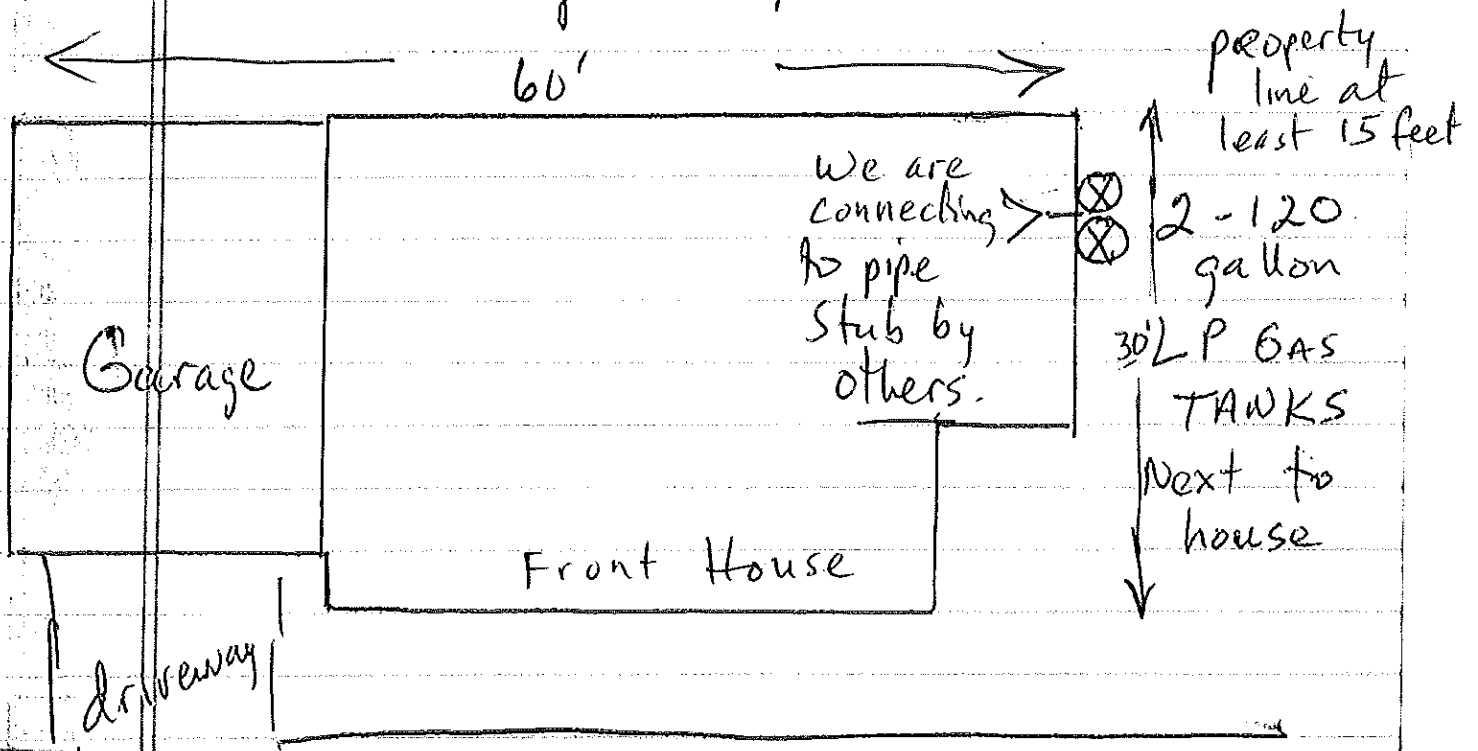
Signature of Installer: _____ E-Mail: smccusker@downeastenergy.com



Reviewed for Code Compliance
Inspections Division
Approved with Conditions

Date: 01/14/15

Harbor Heights Property Group
125 Woodlawn Ave.
Portland, ME 04103
contact: Ryan Cheplic 807-2500



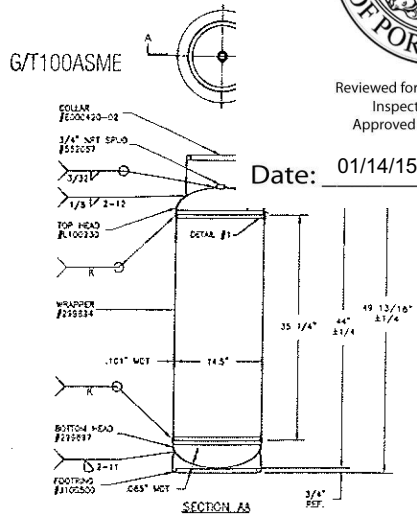
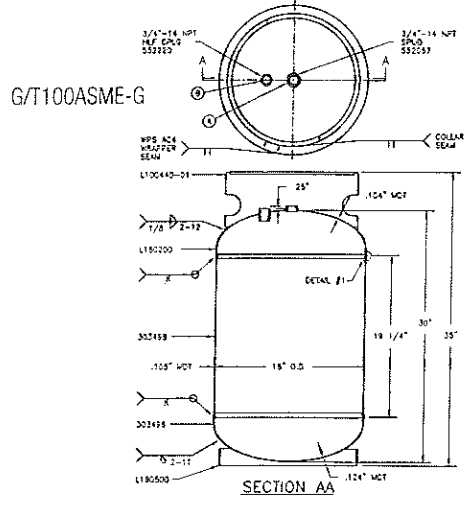
* Downeast Energy is only setting tanks and tying into system installed by others we do a system inspection.



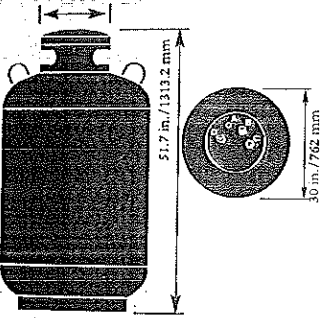
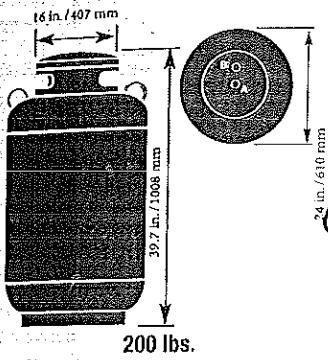
DOT/ASME LPG Cylinders (continued)



Reviewed for Code Compliance
Inspections Division
Approved with Conditions



Date: 01/14/15



ASME Cylinders

MFR#	VALVE	SIZE	COLOR	WEBB#
G/T200ASME	Multivalve	200 lbs.	White	190984
G/T200ASMEG	Multivalve	200 lbs.	Gray	193312
G/T420ASME	Multivalve POL	420 lbs.	White	185244
G/T420ASMEG	Multivalve POL	420 lbs.	Gray	193311

SIZE	100 LBS.	200 LBS.	420 LBS.
LPG Capacity	23.6 gal. 89.3 liters	47.2 gal. 178.5 liters	99.1 gal. 374.9 liters
Water Capacity	239.0 lb. 108.4 kg.	474 lbs. 215.0 kg.	1000 lb. 453.6 kg.
Tare Weight	71.0 lb. 32.2 kg.	158.0 lb. 71.7 kg.	272.0 lbs. 123.4 kg.
Collar Height	5.1 in. 130.2 mm	6.6 in. 167.6 mm	6.6 in. 167.6 mm
Footring Dia. o/s	14.5 in. 368.3 mm	19.0 in. 482.6 mm	22.0 in. 558.8 mm

How to Order a Truckload
11 bundles make up a truckload. Special colors, or plastic mesh protective coatings are available upon request. There is a quantity of 9-420's in a bundle, and 16-200's in a bundle. You must specify DOT or ASME style tanks at time of order. Minimum order of 3 bundles is considered a partial truckload. No more than 3 different stops per truckload within a 150 mile radius.

Harbor Heights Tank

Description and Size of 420#
L.R.G. Cylinder Openings

- A: Safety Relief Valve (1") NPT
- B: Fill Valve (3/4") NPT
- C: NPT Float Gauge (1") NPT
- D: Vapor Service Valve (3/4") NPT

Open Collar

100# Cylinders

MFR #	DESCRIPTION	WEBB#
PIGME350A	Multivalve	186562



TO ORDER, CALL: 800.243.9360 • CT: 860.722.2433 • FAX: 800.274.2004



4
CYLINDERS, TANKS & ACCESSORIES