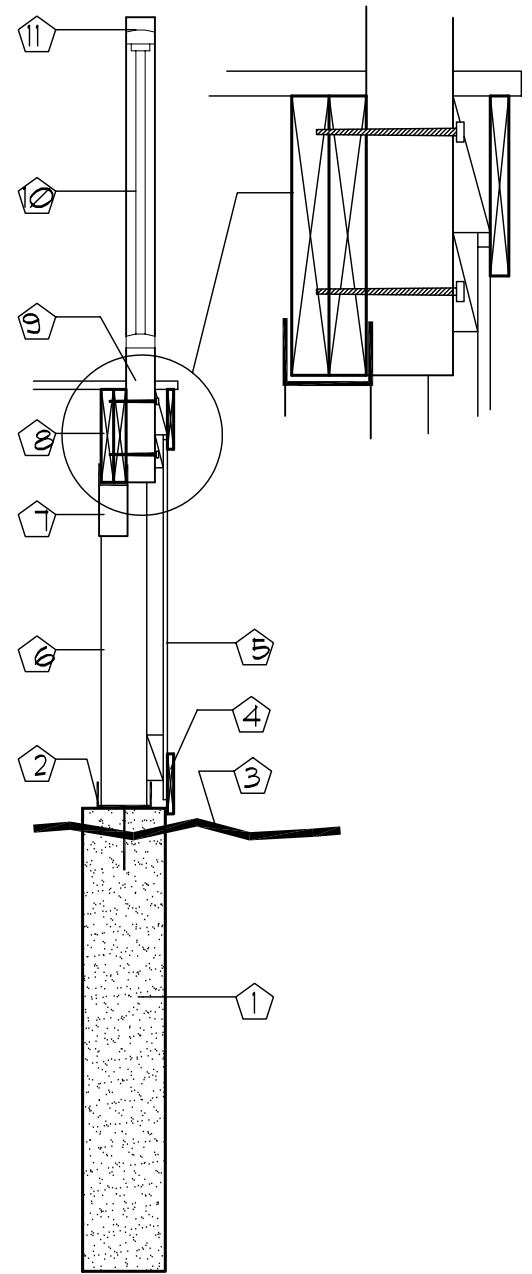




4'-6" 4'-6" 4'-6" 4'-6" 4'-6" 4'-6"
 † max. † † max. † † max. † † max. † † max. † † max. †

TYPICAL POST SPACING

SCALE: 1/8" = 1'-0"



POST DETAIL

SCALE: 1/2" = 1'-0"

KEYED NOTES

- ① 10" DIA. CONC. PIER (TYP.)
- ② SIMPSON POST BASE (TYP.)
- ③ GRADE.
- ④ WOOD TRIM (TYP.)
- ⑤ SQUARE LATTICE (TYP.)
- ⑥ 6x6 (TYP.)
- ⑦ SIMPSON FRAMING ANCHOR (TYP.)
- ⑧ (2) 2x12 (TYP.)
- ⑨ 4x4 LAGGED TO (2) 2x12 BEAM (TYP.)
- ⑩ BALASTER SPACING - 4" CENTER TO CENTER (TYP.)
- ⑪ TOP OF GUARD - 42" (TYP.)

PROJECT: SHALOM HOUSE 1103 FOREST AVE. PORTLAND, ME	DRAWING: POST DETAILS
	ARCHETYPE, P.A. PORTLAND, MAINE
SCALE: As Noted	
DATE: Feb. 23, 2005	SKa - 2