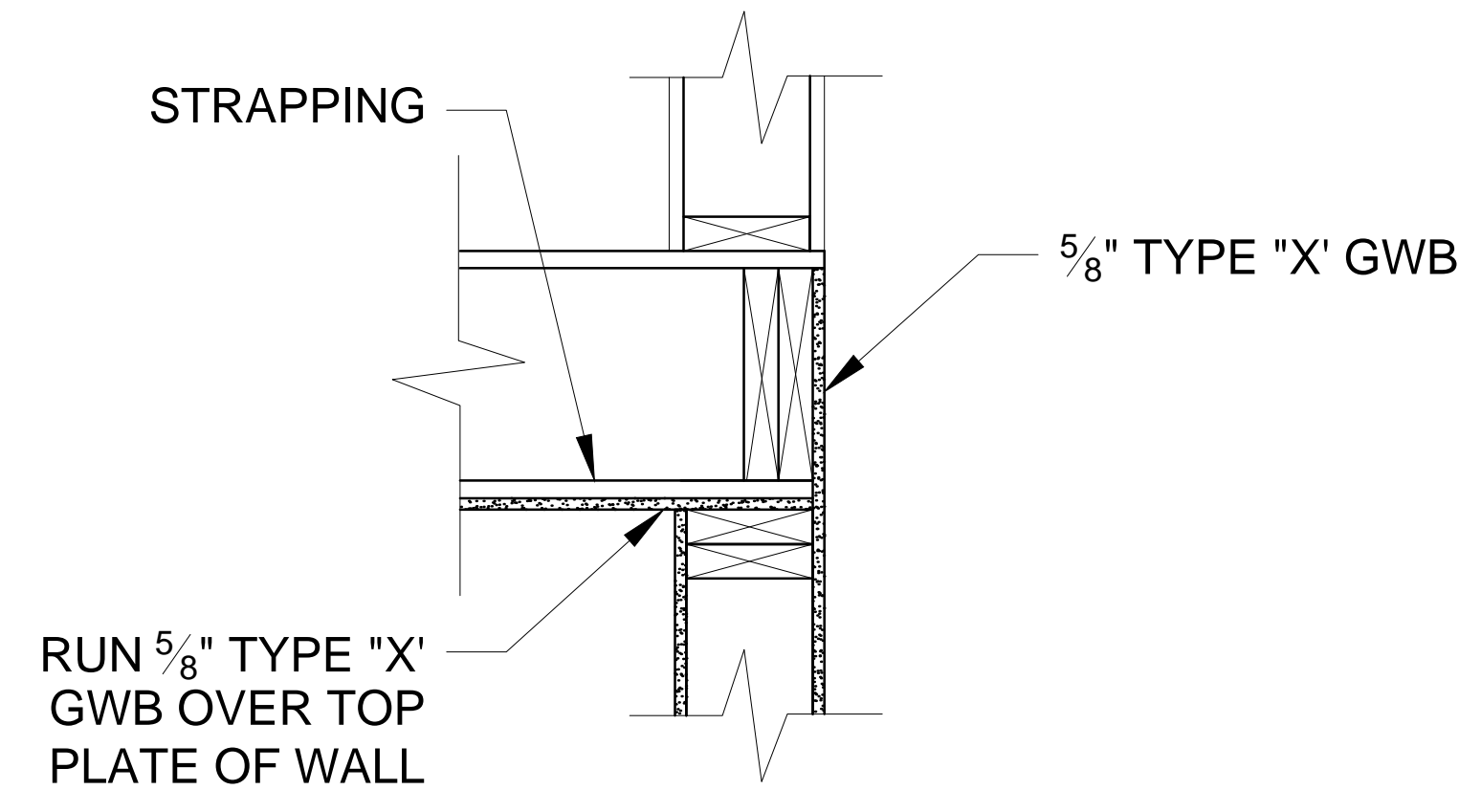


DRAWINGS ARE PROVIDED BY REID TOZIER AS A SERVICE TO HIS CUSTOMERS. THIS INFORMATION IS FOR INFORMATION ONLY AND IS NOT TO BE USED AS A BASIS FOR CONSTRUCTION. REID TOZIER SUGGESTS THAT HIS CUSTOMERS SEEK THE SERVICES OF A LICENSED OR REGISTERED ARCHITECT TO OBTAIN TECHNICAL BLUE PRINTS IF THE CUSTOMER DESIRES TO PROCEED FURTHER. THESE DRAWINGS ARE NOT TO BE USED AS A BASIS FOR CONSTRUCTION AND REID TOZIER DISCLAIMS ANY RESPONSIBILITY IF THEY ARE SO USED.

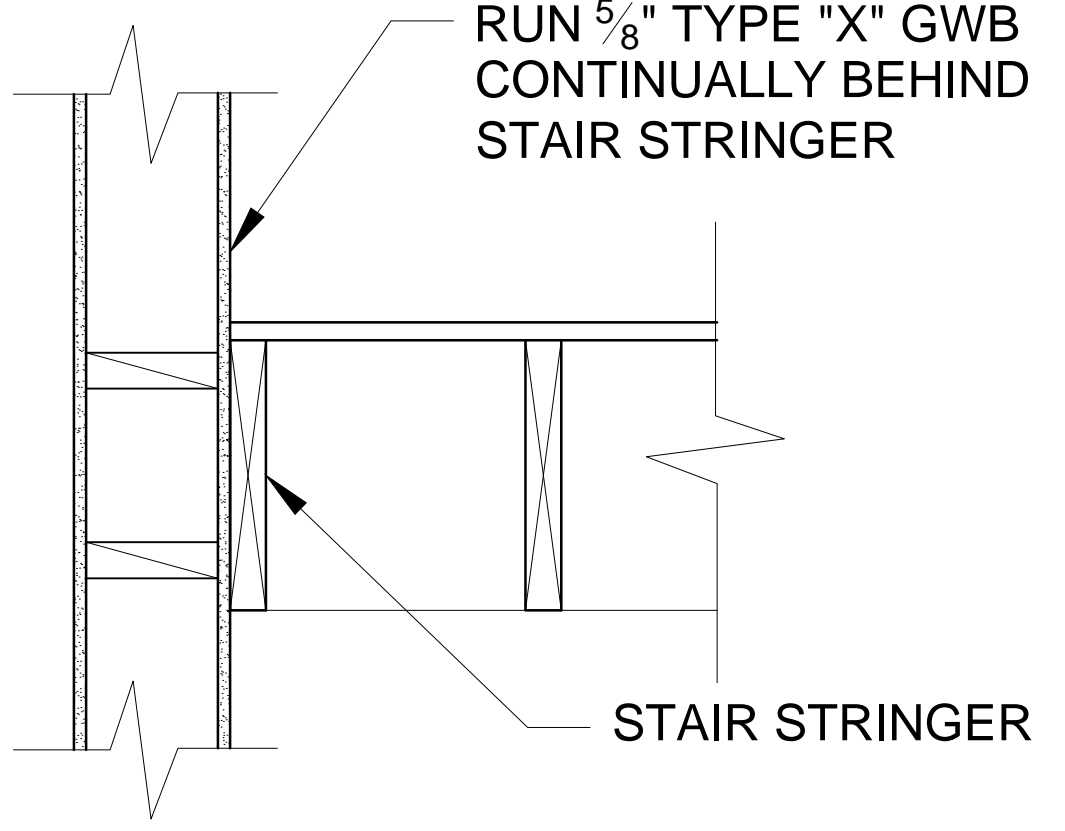
REVISIONS:

DATE:	MAY 5, 2014
PROJECT No.	
DRAWN BY:	
CHECKED BY:	
SCALE:	AS NOTED

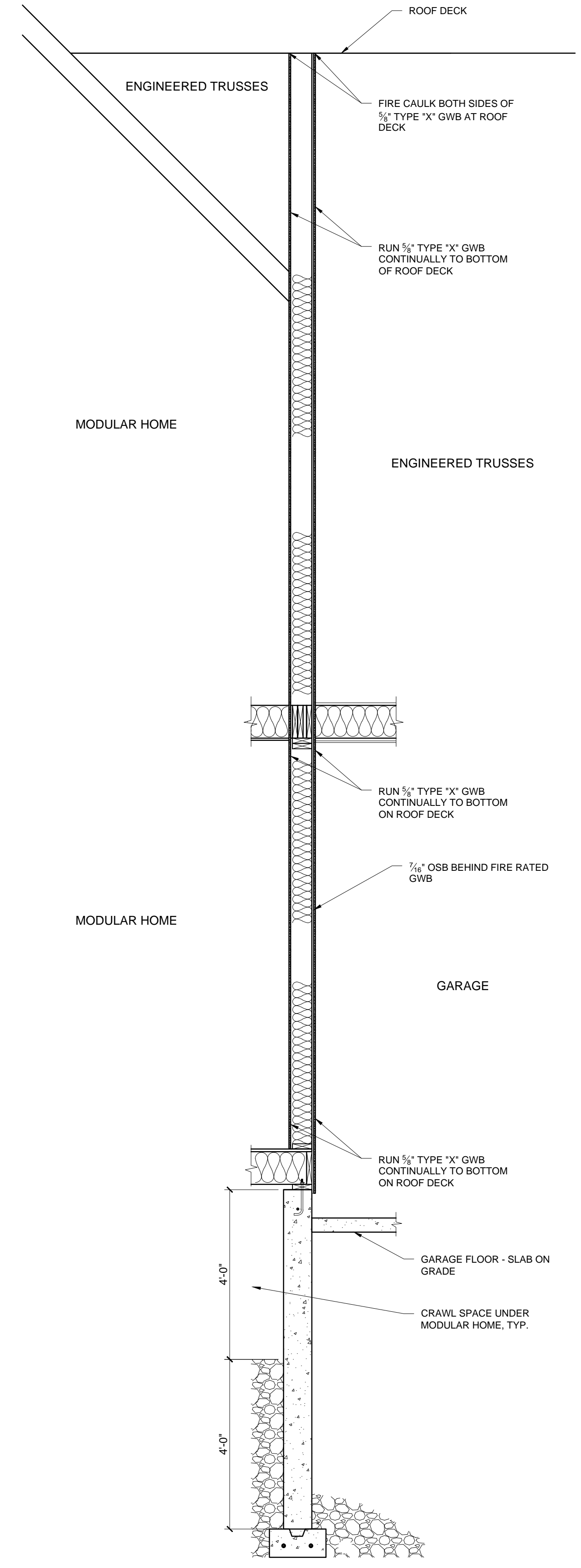
SHEET TITLE:  
**SECTIONS  
 AND  
 DETAILS**



3 STAIR STRINGER DETAIL  
 1/12" = 1'-0"



2 STAIR STRINGER DETAIL  
 1/12" = 1'-0"



1 FIRE SEPARATION DETAIL  
 1/2" = 1'-0"