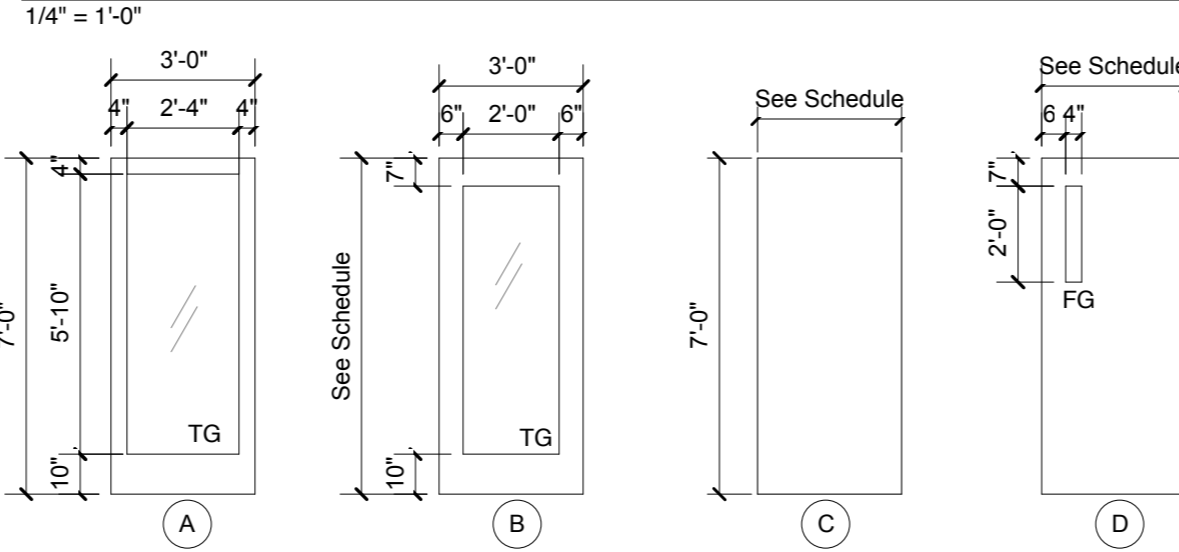


DOOR & FRAME SCHEDULE

FIRST FLOOR														
General		Door			Frame			Details						
Door No.	Size (W x H)	Thickness	Material	Finish	Type	Material	Finish	Type	Head	Jamb	Threshold	Hardware	Label	Remarks
101.1	PR 3'-0" X 7'-0"	1 3/4"	AL	F.F.	A	AL	F.F.	F1	H1	J1				
102.1	PR 3'-0" X 7'-10"	1 3/4"	AL	F.F.	A	AL	F.F.	F1	H2	J2				
102.2	3'-0" X 7'-0"	1 3/4"	SCWD	Clr. F.	B	HM	Ptd	F2	H3	J3				
103.1	3'-0" X 7'-0"	1 3/4"	SCWD	Clr. F.	C	HM	Ptd	F1	H3	J3				
104.1	3'-0" X 7'-0"	1 3/4"	SCWD	Clr. F.	B	HM	Ptd	F1	H3	J3				
106.1	3'-0" X 7'-0"	1 3/4"	SCWD	Clr. F.	C	HM	Ptd	F1	H3	J3				
107.1	PR 3'-0" X 7'-0"	1 3/4"	SCWD	Clr. F.	C	HM	Ptd	F1	H3	J3				
108.1	3'-0" X 7'-0"	1 3/4"	SCWD	Clr. F.	C	HM	Ptd	F1	H3	J3				
109.1	3'-0" X 7'-0"	1 3/4"	SCWD	Clr. F.	C	HM	Ptd	F1	H3	J3				
110.1	3'-0" X 7'-10"	1 3/4"	SCWD	Clr. F.	C	HM	Ptd	F1	H3	J3				
112.1	3'-0" X 7'-0"	1 3/4"	HM	Ptd	C	HM	Ptd	F1	H4	J4			45 min	
113.1	3'-0" X 7'-0"	1 3/4"	SCWD	Clr. F.	B	HM	Ptd	F2	H3	J3				
114.1	3'-0" X 7'-0"	1 3/4"	SCWD	Clr. F.	B	HM	Ptd	F2	H3	J3				
115.1	3'-0" X 7'-0"	1 3/4"	SCWD	Clr. F.	B	HM	Ptd	F3	H3	J3				
116.1	3'-0" X 7'-0"	1 3/4"	SCWD	Clr. F.	B	HM	Ptd	F2	H3	J3				
117.1	Existing Hollow Metal Door & Frame to Remain. Paint Interior Side of Door and Frame													
118.1	3'-0" X 7'-0"	1 3/4"	SCWD	Clr. F.	B	HM	Ptd	F1	H3	J3				
119.1	3'-0" X 7'-0"	1 3/4"	SCWD	Clr. F.	B	HM	Ptd	Exist.	--	--				New door within exist. HM frame
120.1	3'-0" X 7'-0"	1 3/4"	SCWD	Clr. F.	B	HM	Ptd	Exist.	--	--				New door within exist. HM frame
121.1	3'-0" X 7'-0"	1 3/4"	SCWD	Clr. F.	B	HM	Ptd	F1	H3	J3				
121.2	3'-0" X 7'-0"	1 3/4"	SCWD	Clr. F.	D	HM	Ptd	F1	H3	J3			45 min.	
122.1	PR 3'-0" X 7'-0"	1 3/4"	SCWD	Clr. F.	C	HM	Ptd	F1	H3	J3			45 min.	
123.1	3'-0" X 7'-0"	1 3/4"	SCWD	Clr. F.	C	HM	Ptd	F1	H3	J3				
126.1	3'-0" X 7'-0"	1 3/4"	SCWD	Clr. F.	B	HM	Ptd	F1	H3	J3				
128.1	3'-0" X 7'-0"	1 3/4"	SCWD	Clr. F.	B	HM	Ptd	F1	H3	J3				
129.1	3'-0" X 7'-0"	1 3/4"	SCWD	Clr. F.	C	HM	Ptd	F1	H3	J3			45 min.	
130.1	Existing Aluminum Storefront Entry Doors to Remain													
131.1	3'-0" X 7'-0"	1 3/4"	SCWD	Clr. F.	B	HM	Ptd	F1	H3-sim	J3-sim				Exist. partition, verify exist. cond. in field
132.1	3'-0" X 7'-0"	1 3/4"	SCWD	Clr. F.	B	HM	Ptd	F1	H3	J3				
133.1	3'-0" X 7'-0"	1 3/4"	SCWD	Clr. F.	B	HM	Ptd	F2	H3	J3				
134.1	3'-0" X 7'-0"	1 3/4"	SCWD	Clr. F.	B	HM	Ptd	F2	H3	J3				
135.1	3'-0" X 7'-0"	1 3/4"	SCWD	Clr. F.	B	HM	Ptd	F2	H3	J3				
136.1	3'-0" X 7'-0"	1 3/4"	SCWD	Clr. F.	B	HM	Ptd	F2	H3	J3				
138.1	3'-6" X 7'-0"	1 3/4"	SCWD	Clr. F.	D	HM	Ptd	F1	H3-sim	J3-sim			45 min.	Exist. partition, verify exist. cond. in field
138.2	Existing Pair of Hollow Metal Doors & Frame to Remain. Paint Visible Side of Door and Frame													
138.3	Existing Hollow Metal Door & Frame to Remain. Paint.													
138.4	3'-0" X 7'-0"	1 3/4"	Insul. Mtl	Ptd	C	HM	Ptd	F1	H5	J5				New Door & Frame in existing opening
139.1	3'-0" X 7'-0"	1 3/4"	SCWD	Clr. F.	B	HM	Ptd	F1	H3	J3				
140.1	3'-0" X 7'-0"	1 3/4"	SCWD	Clr. F.	B	HM	Ptd	F1	H3	J3				
141.1	3'-0" X 7'-0"	1 3/4"	SCWD	Clr. F.	C	HM	Ptd	F1	H3	J3				
144.1	3'-0" X 7'-0"	1 3/4"	SCWD	Clr. F.	C	HM	Ptd	F1	H3	J3				
145.1	3'-6" X 7'-0"	1 3/4"	Steel	Ptd	C	HM	Ptd	F1	H6	J6			3 hour	
146.1	PR 3'-0" X 7'-0"	1 3/4"	SCWD	Clr. F.	D	HM	Ptd	F1	H3	J3			45 min.	

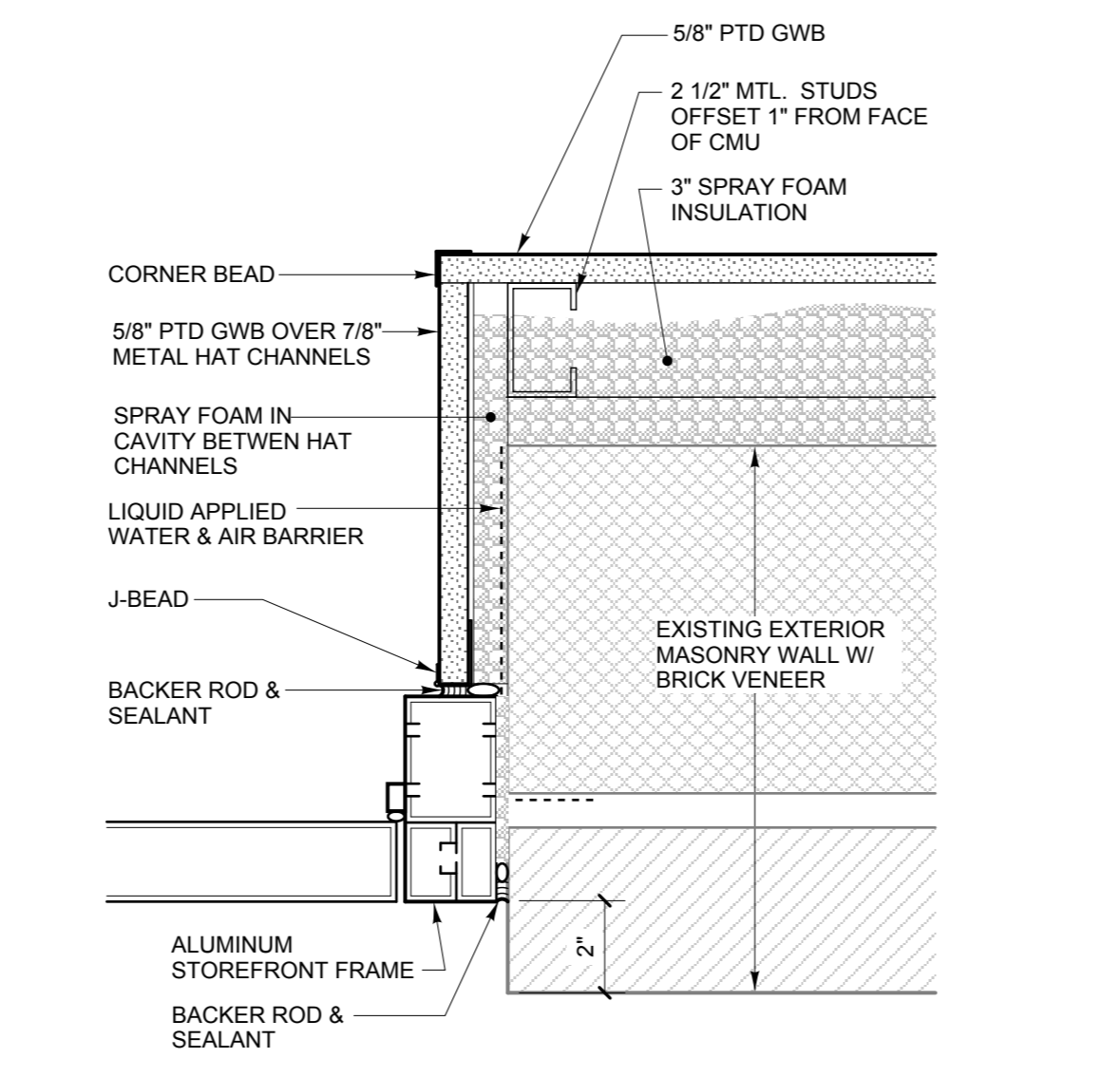
SECOND FLOOR														
General		Door			Frame			Details						
Door No.	Size (W x H)	Thickness	Material	Finish	Type	Material	Finish	Type	Head	Jamb	Threshold	Hardware	Label	Remarks
201.1	3'-0" X 7'-0"	1 3/4"	SCWD	Clr. F.	C	HM	Ptd	F1	H7	J7				45 min.
206.1	PR 3'-0" X 7'-0"	1 3/4"	SCWD	Clr. F.	C	HM	Ptd	F1	H3	J3				
209.1	Existing Door & Frame to Remain. Paint Both Sides of Door and Frame													
210.1	PR 3'-0" X 7'-0"	1 3/4"	SCWD	Clr. F.	C	HM	Ptd	F1	H3	J3				45 min.
211.1	Existing Door & Frame to Remain to Remain as is													
211.2	4'-0" X 7'-0"	1 3/4"	SCWD	Clr. F.	C	HM	Ptd	F1	H7	J7				45 min.
213.1	Existing Door & Frame to Remain to Remain as is													
213.2	Existing Door & Frame to Remain to Remain as is													
214.1	3'-0" X 7'-0"	1 3/4"	SCWD	Clr. F.	D	HM	Ptd	F1	H3	J3				45 min.
214.2	3'-0" X 7'-0"	1 3/4"	SCWD	Clr. F.	D	HM	Ptd	F1	H3	J3				45 min.
215.1	Existing Door & Frame to Remain to Remain as is													
215.2	Existing Door & Frame to Remain to Remain as is													
215.3	3'-0" X 7'-0"	1 3/4"	SCWD	Clr. F.	D	HM	Ptd	F1	H3	J3				
216.1	3'-0" X 7'-0"	1 3/4"	SCWD	Clr. F.	C	HM	Ptd	F1	H3	J3				
217.1	3'-0" X 7'-0"	1 3/4"	SCWD	Clr. F.	B	HM	Ptd	F1	H3-sim	J3-sim				Exist. partition, verify exist. cond. in field
218.1	3'-0" X 7'-0"	1 3/4"	SCWD	Clr. F.	B	HM	Ptd	F1	H3	J3				
218.2	3'-0" X 7'-0"	1 3/4"	SCWD	Clr. F.	B	HM	Ptd	F1	H3-sim	J3-sim				Exist. partition, verify exist. cond. in field
219.1	3'-0" X 7'-0"	1 3/4"	SCWD	Clr. F.	C	HM	Ptd	F1	H3	J3				

DOOR TYPES

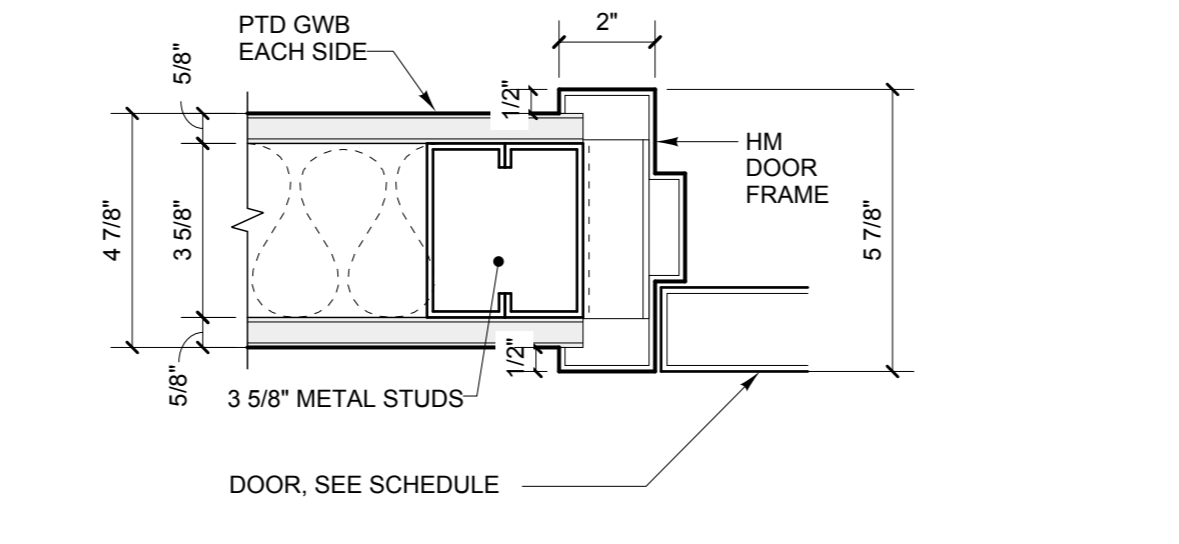


DOOR DETAILS

3" = 1'-0"

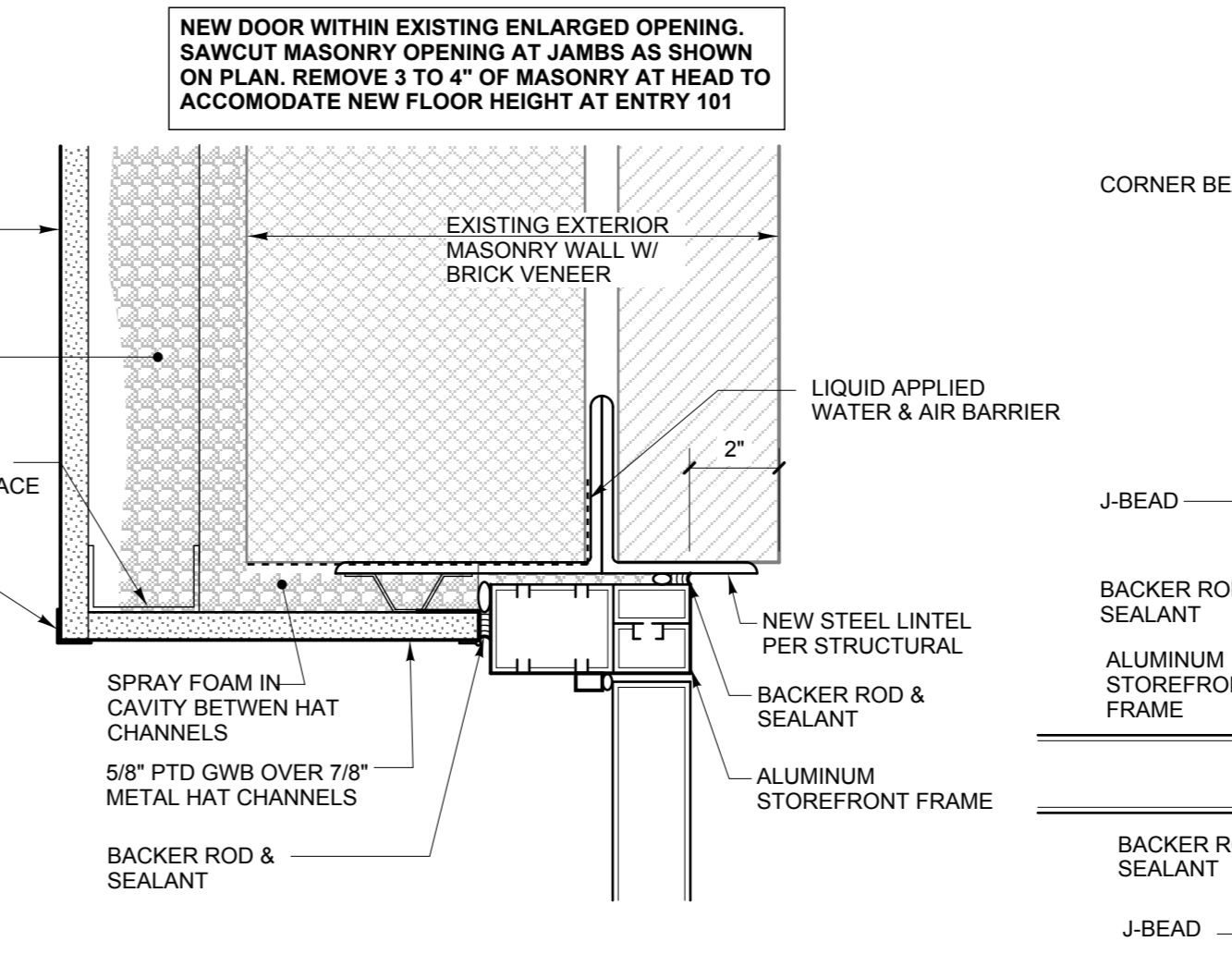
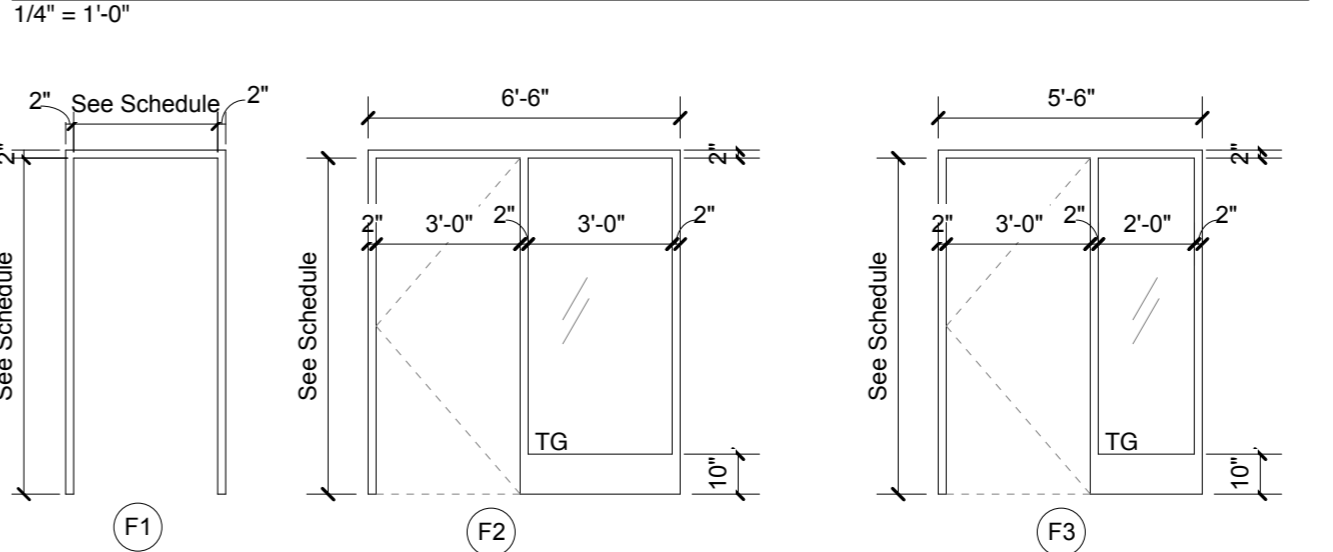


J1 JAMB DETAIL AT ENTRY DOOR
SCALE: 3" = 1'-0"

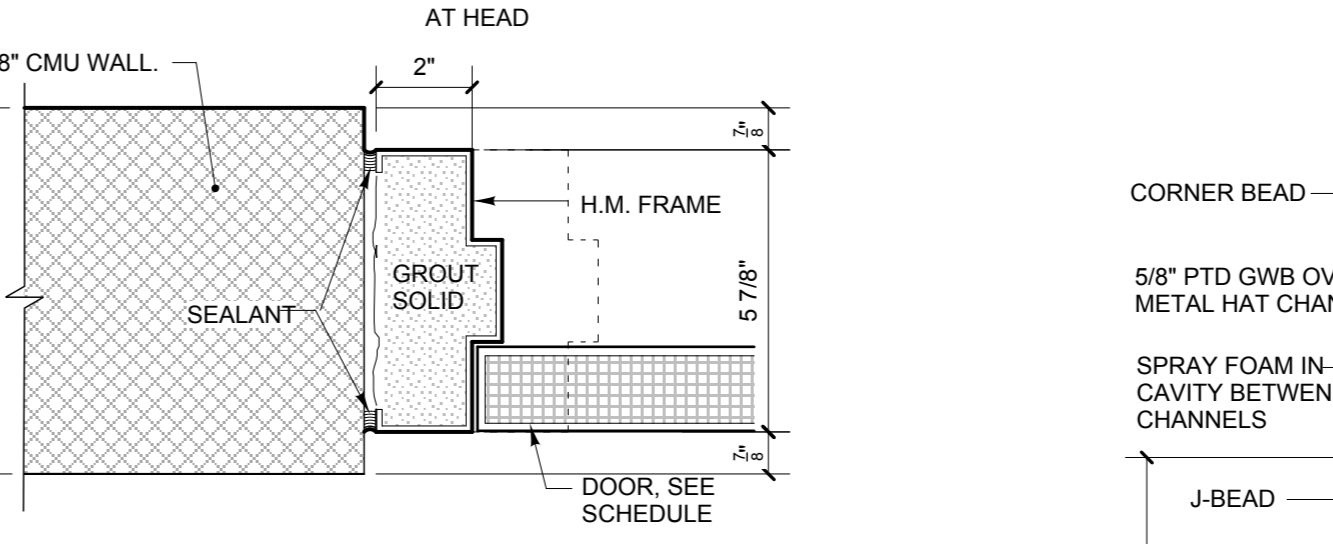


J6 H6 JAMB DETAIL AT VAULT DOOR / HEAD SIMILAR
SCALE: 3" = 1'-0"

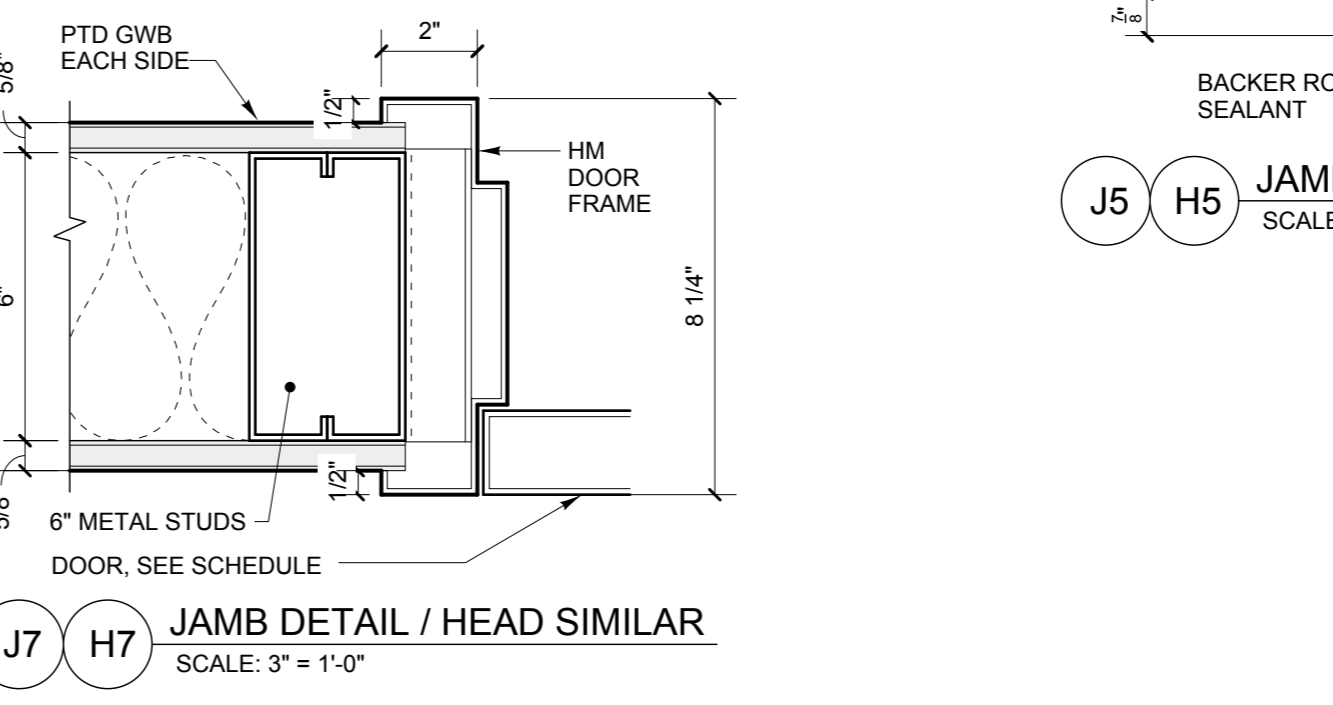
FRAME TYPES



H1 HEAD DETAIL AT ENTRY DOOR
SCALE: 3" = 1'-0"



J4 H4 JAMB DETAIL / HEAD DETAIL SIMILAR
SCALE: 3" = 1'-0"



J7 H7 JAMB DETAIL / HEAD SIMILAR
SCALE: 3" = 1'-0"

ABBREVIATIONS

- SCWD Solid Core wood door
- Clr. F. Clear Finish
- F.F. Factory Finish
- HM Hollow Metal
- Insul. Mtl Insulated Metal
- Ptd Painted
- HW Hardware Set
- TG Tempered Glass
- FG Fire Glass



5 Milk Street, Portland, ME 04101
207.774.4811 | wintonscott.com

Structural Engineering:
STRUCTURAL INTEGRITY CONSULTING ENGINEERS, INC.

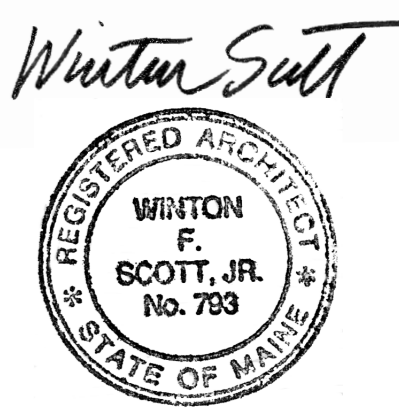
46 Forest Avenue
Portland, ME 04101
T. 207.774.4614
structuralinteg.com

HVAC & Plumbing Engineering:
HOLBROOK ENGINEERING, LLC

52 Heath Road
Saco, ME 04072
T. 207.283.9127
holbrookengineering.com

Electrical Engineering:
SWIFT CURRENT ENGINEERING SERVICES

Royal River Center, Unit 8B
10 Forest Falls Drive
Yarmouth, ME 04096
T. 207.847.9280



CITY OF PORTLAND DEPARTMENT HEADQUARTERS:

-Parks, Recreation & Facilities
-Public Works

RENOVATION PROJECT

212 Canco Road, Portland

REVIEW SET NOT FOR CONSTRUCTION

Scale: 1/16" = 1'-0"

DOOR SCHEDULE & DETAILS

A8.1

March 12, 2018