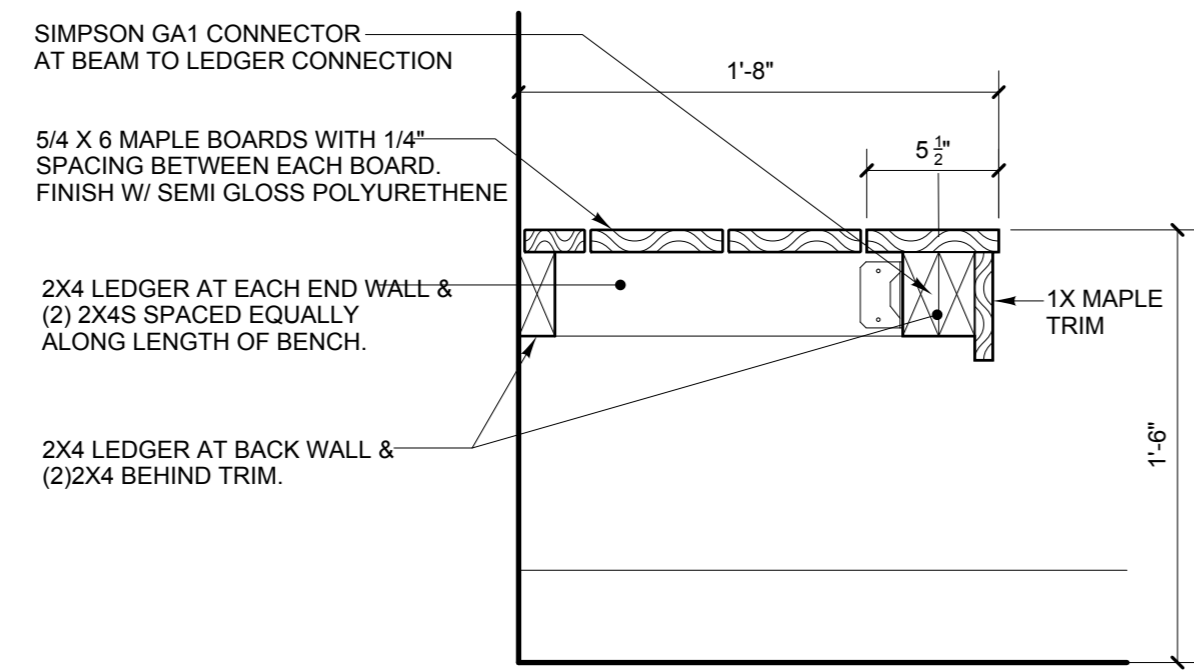
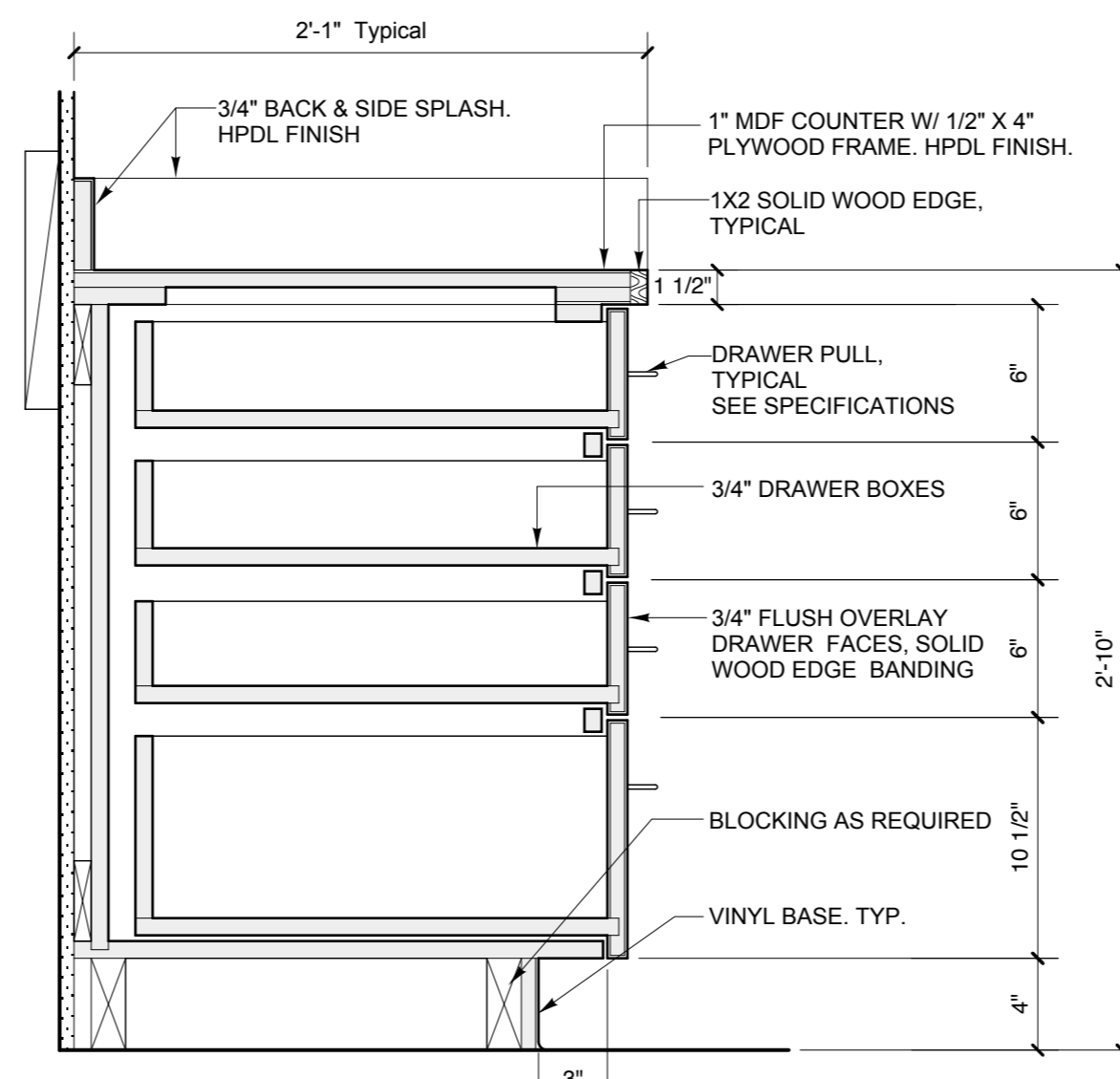


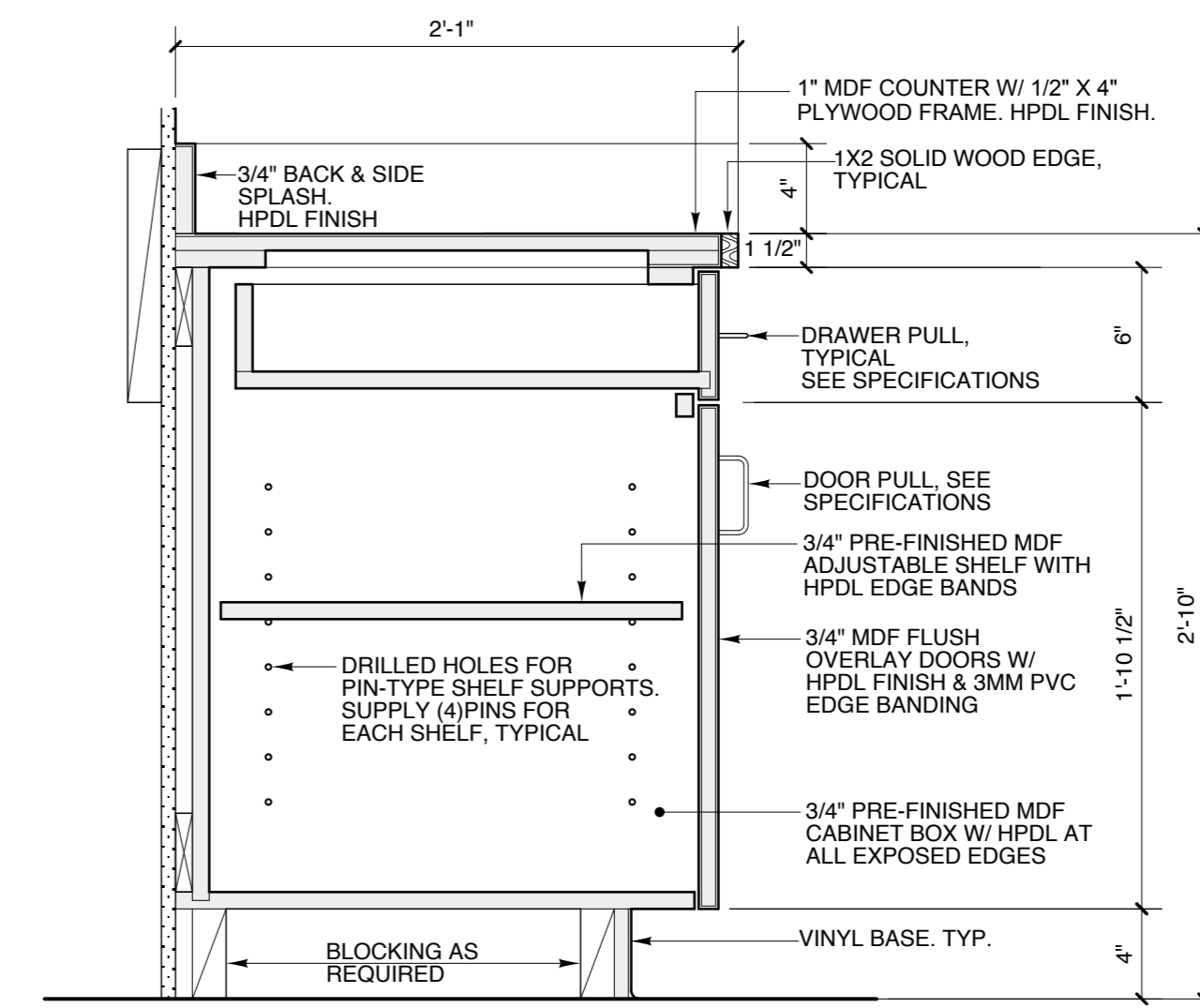
1 LAVATORY COUNTER DETAIL
 SCALE: 1 1/2" = 1'-0"



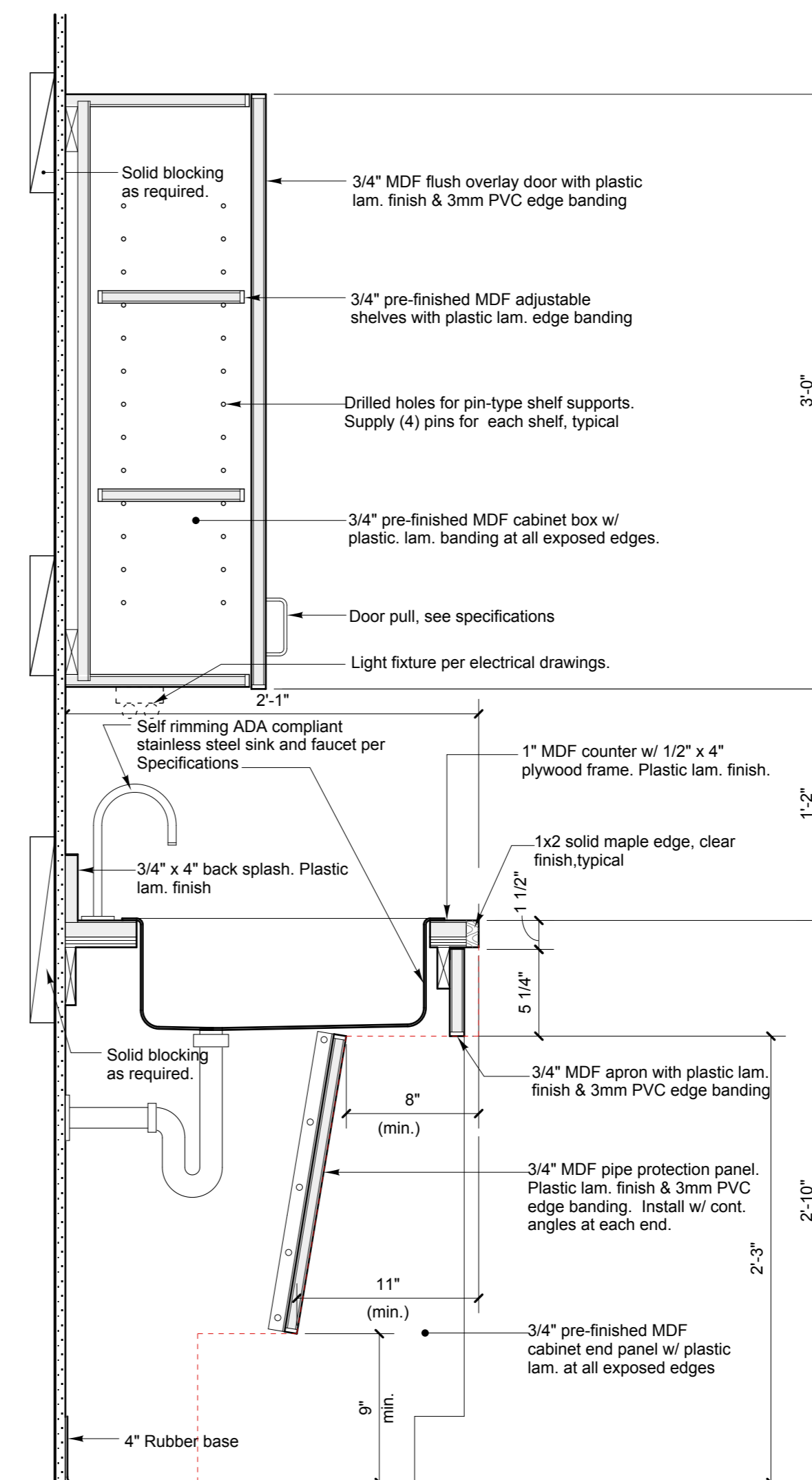
2 SHOWER BENCH DETAIL
 SCALE: 1 1/2" = 1'-0"



4 BREAK ROOM DRAWER BASE SECTION DETAIL
 SCALE: 1 1/2" = 1'-0"



5 BREAK ROOM BASE CABINET SECTION DETAIL
 SCALE: 1 1/2" = 1'-0"



6 SECTION DETAIL AT SINK
 SCALE: 1 1/2" = 1'-0"

Structural Engineering:
STRUCTURAL INTEGRITY CONSULTING ENGINEERS, INC.

46 Forest Avenue
 Portland, ME 04101
 T. 207.774.4614
 structuralinteg.com

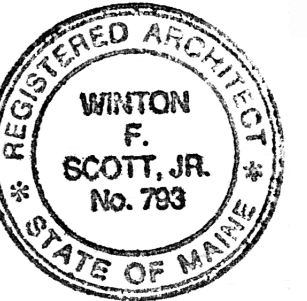
HVAC & Plumbing Engineering:
HOLBROOK ENGINEERING, LLC

52 Heath Road
 Saco, ME 04072
 T. 207.283.9127
 holbrookengineering.com

Electrical Engineering:
SWIFT CURRENT ENGINEERING SERVICES

Royal River Center, Unit 8B
 10 Forest Falls Drive
 Yarmouth, ME 04096
 T. 207.847.9280

Winton Scott



CITY OF PORTLAND DEPARTMENT HEADQUARTERS:

**-Parks, Recreation & Facilities
 -Public Works**

RENOVATION PROJECT

212 Canco Road,
 Portland

REVIEW SET NOT FOR CONSTRUCTION

Scale: 1/16" = 1'-0"

INTERIOR DETAILS

A5.2

March 12, 2018