

Structural Engineering:
STRUCTURAL INTEGRITY CONSULTING ENGINEERS, INC.

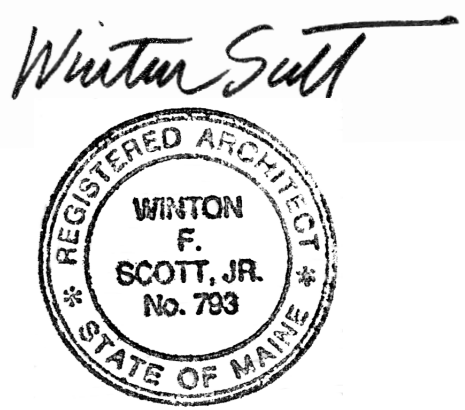
46 Forest Avenue
Portland, ME 04101
T. 207.774.4614
structuralinteg.com

HVAC & Plumbing Engineering:
HOLBROOK ENGINEERING, LLC

52 Heath Road
Saco, ME 04072
T. 207.283.9127
holbrookengineering.com

Electrical Engineering:
SWIFT CURRENT ENGINEERING SERVICES

Royal River Center, Unit 8B
10 Forest Falls Drive
Yarmouth, ME 04096
T. 207.847.9280



CITY OF PORTLAND DEPARTMENT HEADQUARTERS:

-Parks, Recreation & Facilities
-Public Works

RENOVATION PROJECT

212 Canco Road,
Portland

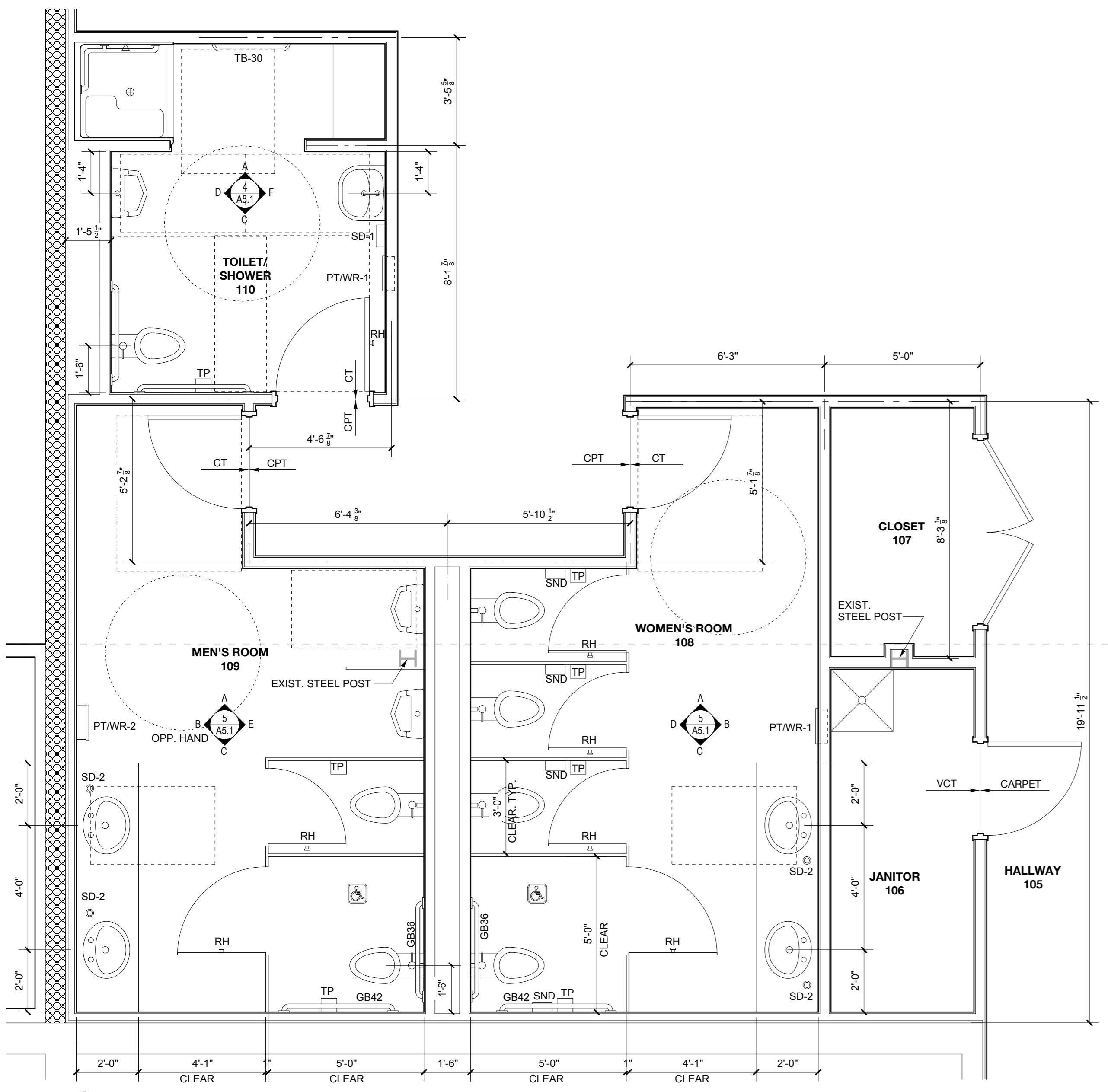
REVIEW SET NOT FOR CONSTRUCTION

Scale: 1/16" = 1'-0"

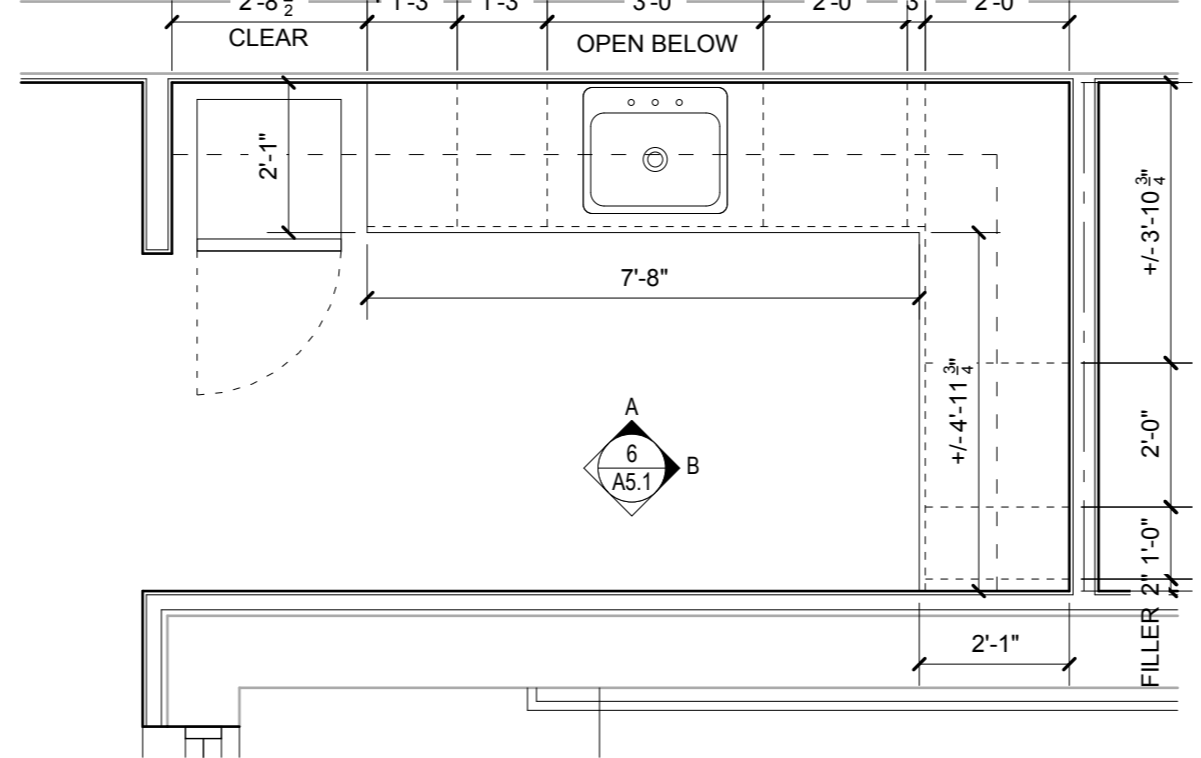
BATHROOM & BREAK ROOM PLANS & ELEVATIONS

A5.1

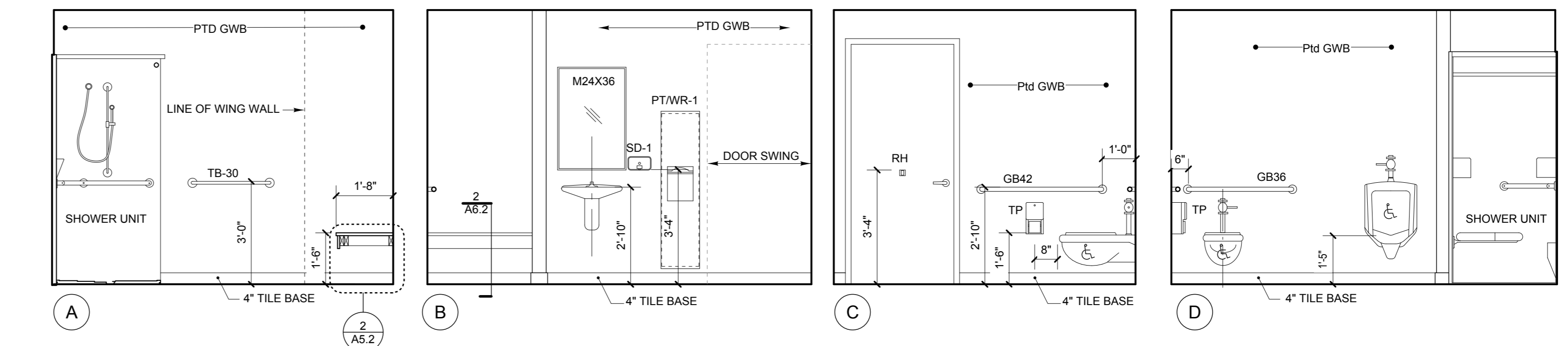
March 12, 2018



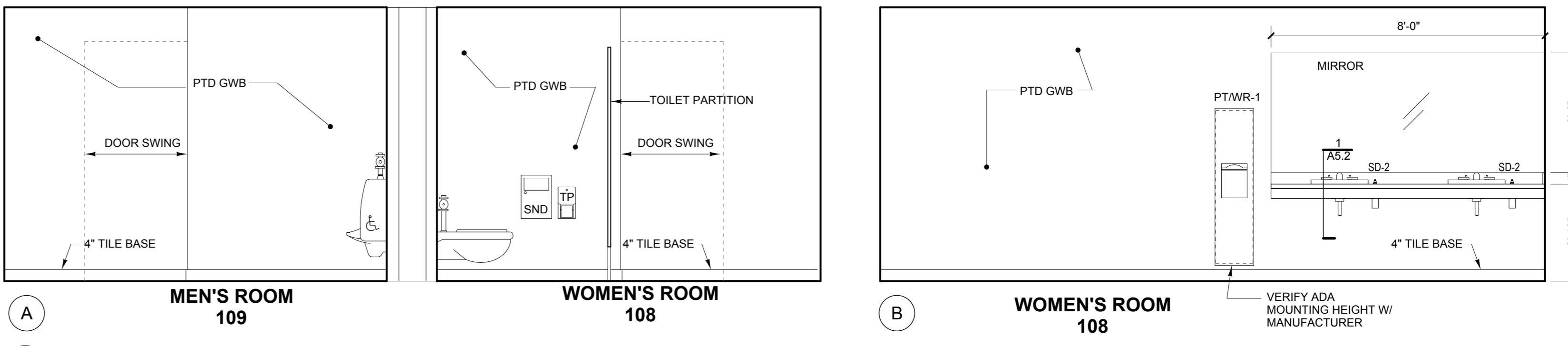
1 WOMEN'S ROOM 108 & MEN'S ROOM 109 & TOILET / SHOWER 110 ENLARGED PLAN
SCALE: 3/8" = 1'-0"



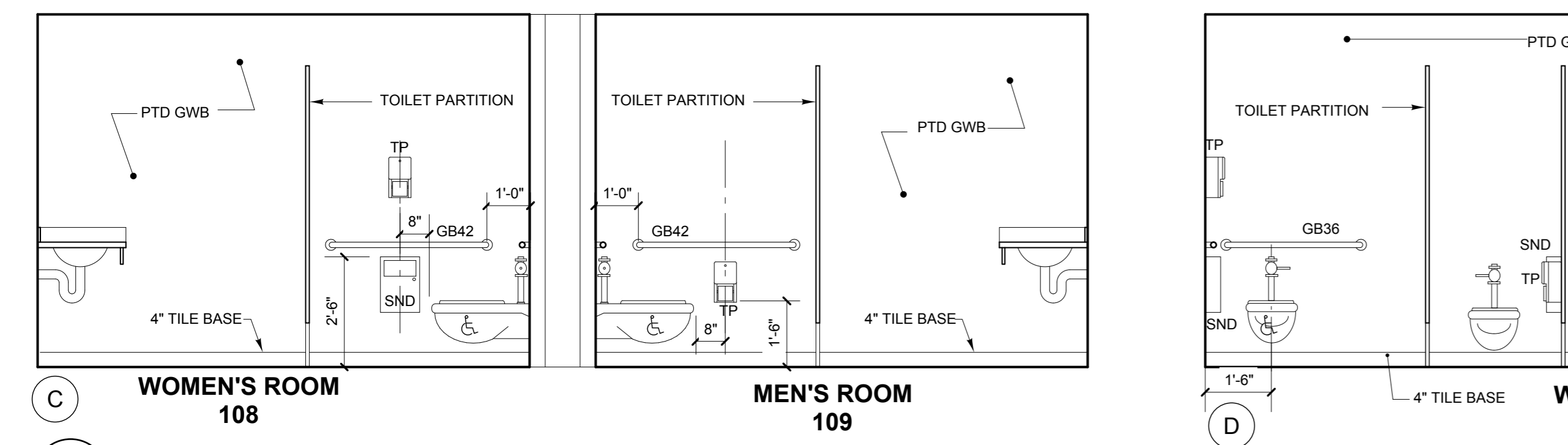
2 BREAK ROOM 132 ENLARGED PLAN
SCALE: 3/8" = 1'-0"



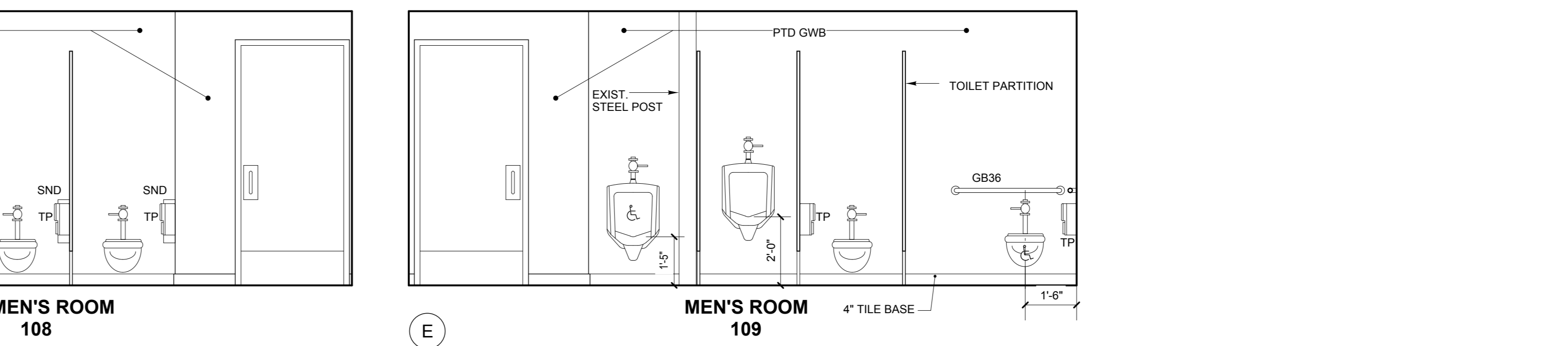
4 TOILET / SHOWER 110 ELEVATIONS
SCALE: 3/8" = 1'-0"



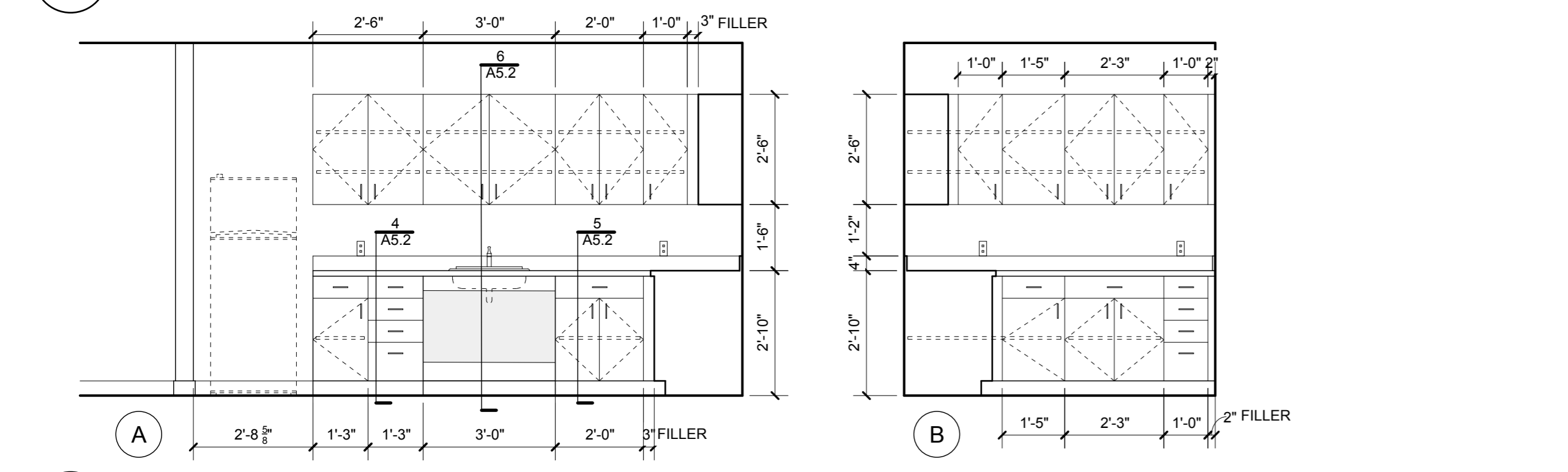
5 WOMEN'S ROOM 108 & MEN'S ROOM 109 ELEVATIONS
SCALE: 3/8" = 1'-0"



5 WOMEN'S ROOM 108 & MEN'S ROOM 109 ELEVATIONS
SCALE: 3/8" = 1'-0"



5 WOMEN'S ROOM 108 & MEN'S ROOM 109 ELEVATIONS
SCALE: 3/8" = 1'-0"



6 BREAK ROOM 132 ELEVATIONS
SCALE: 3/8" = 1'-0"