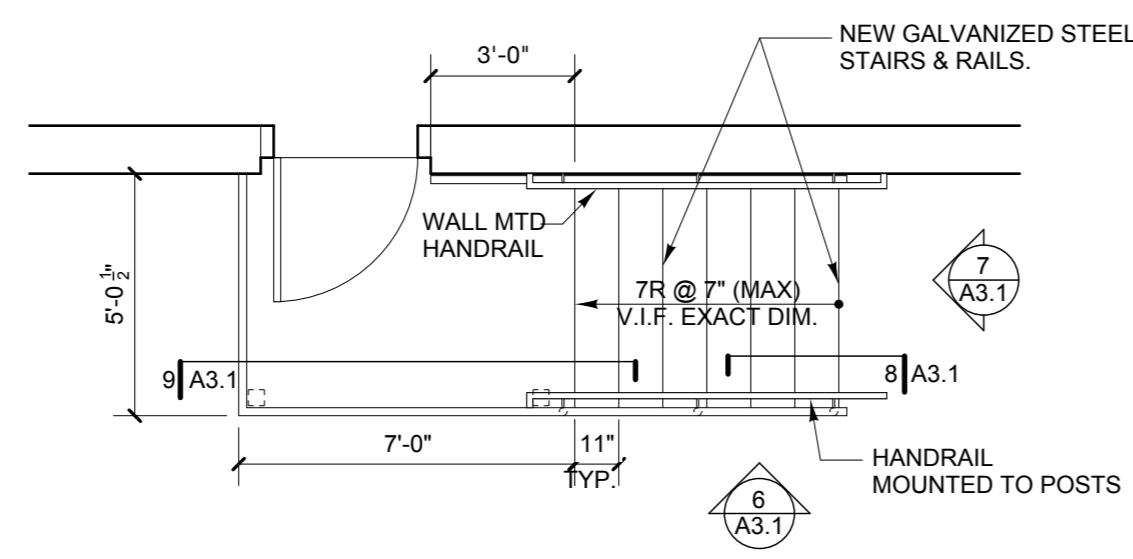
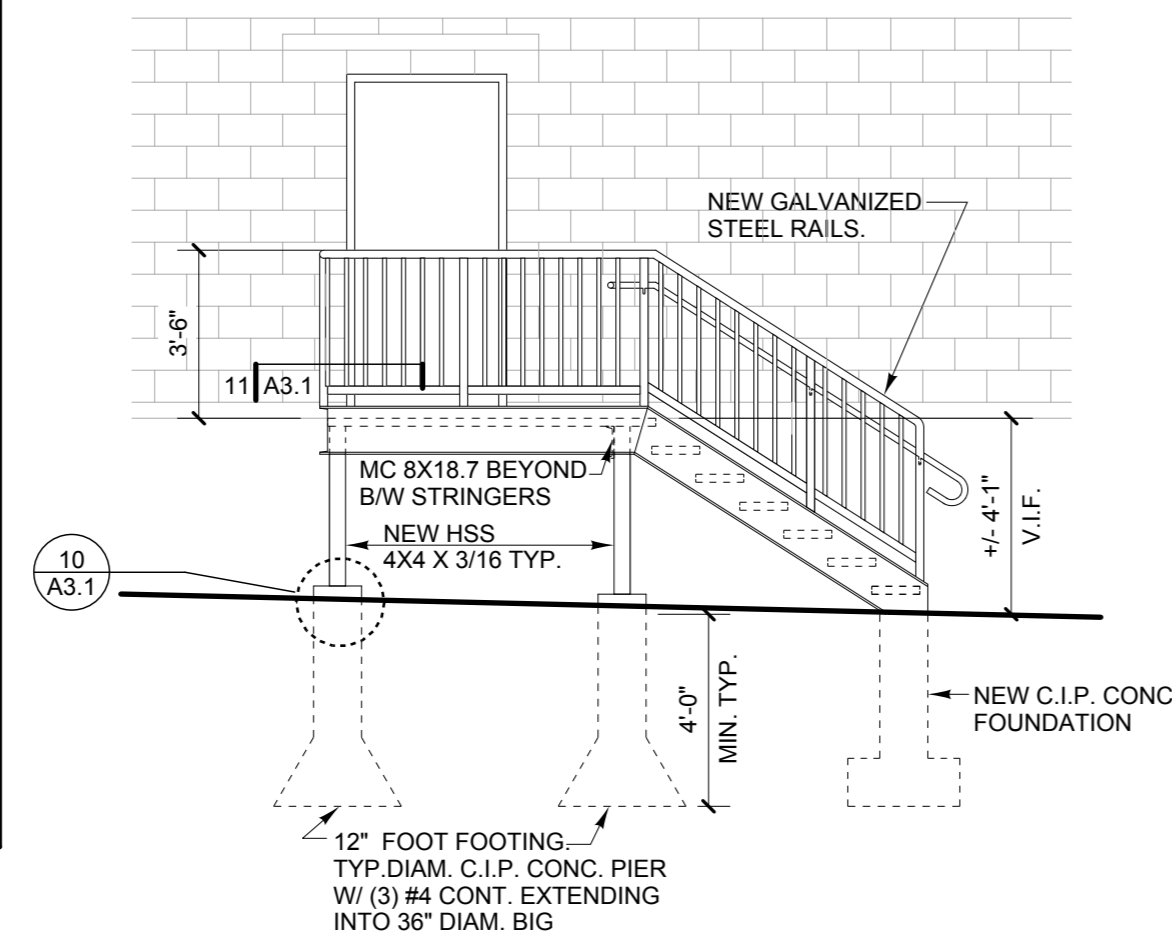


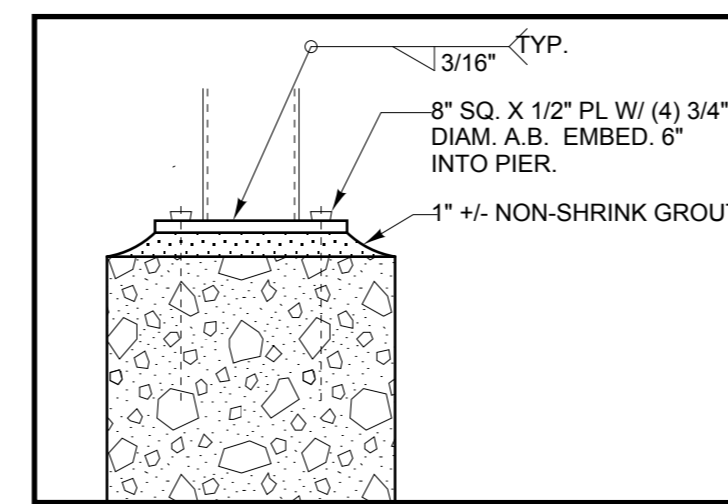
8 Steel Stair Detail at Bottom
 1 1/2" = 1'-0"



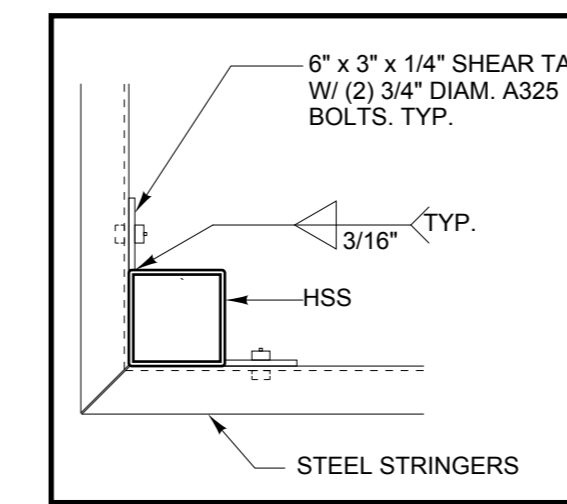
5 Exterior Stair Enlarged Plan
 1/4 = 1'-0"



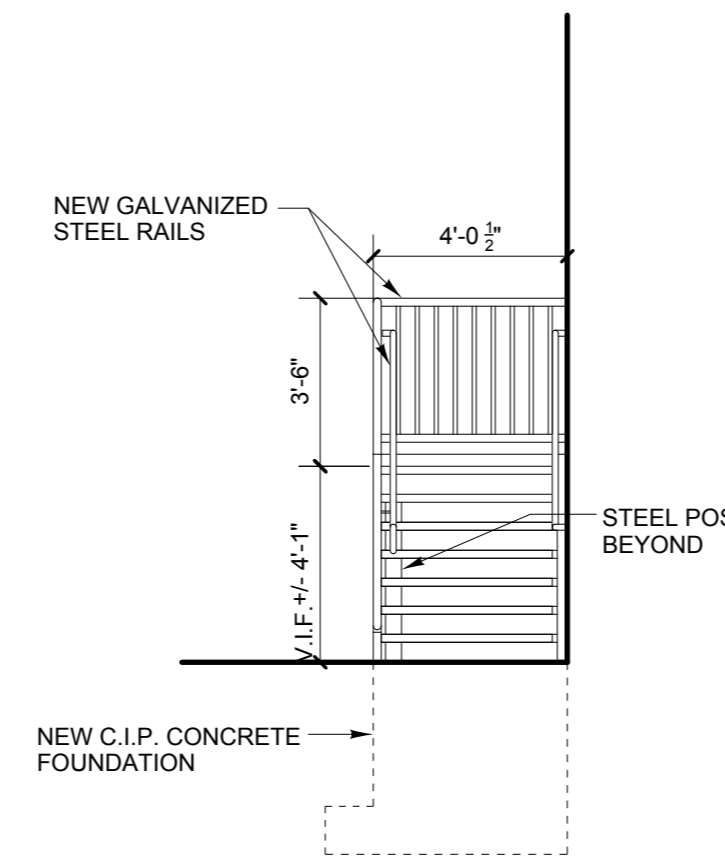
6 Exterior Stair Elevation
 1/4 = 1'-0"



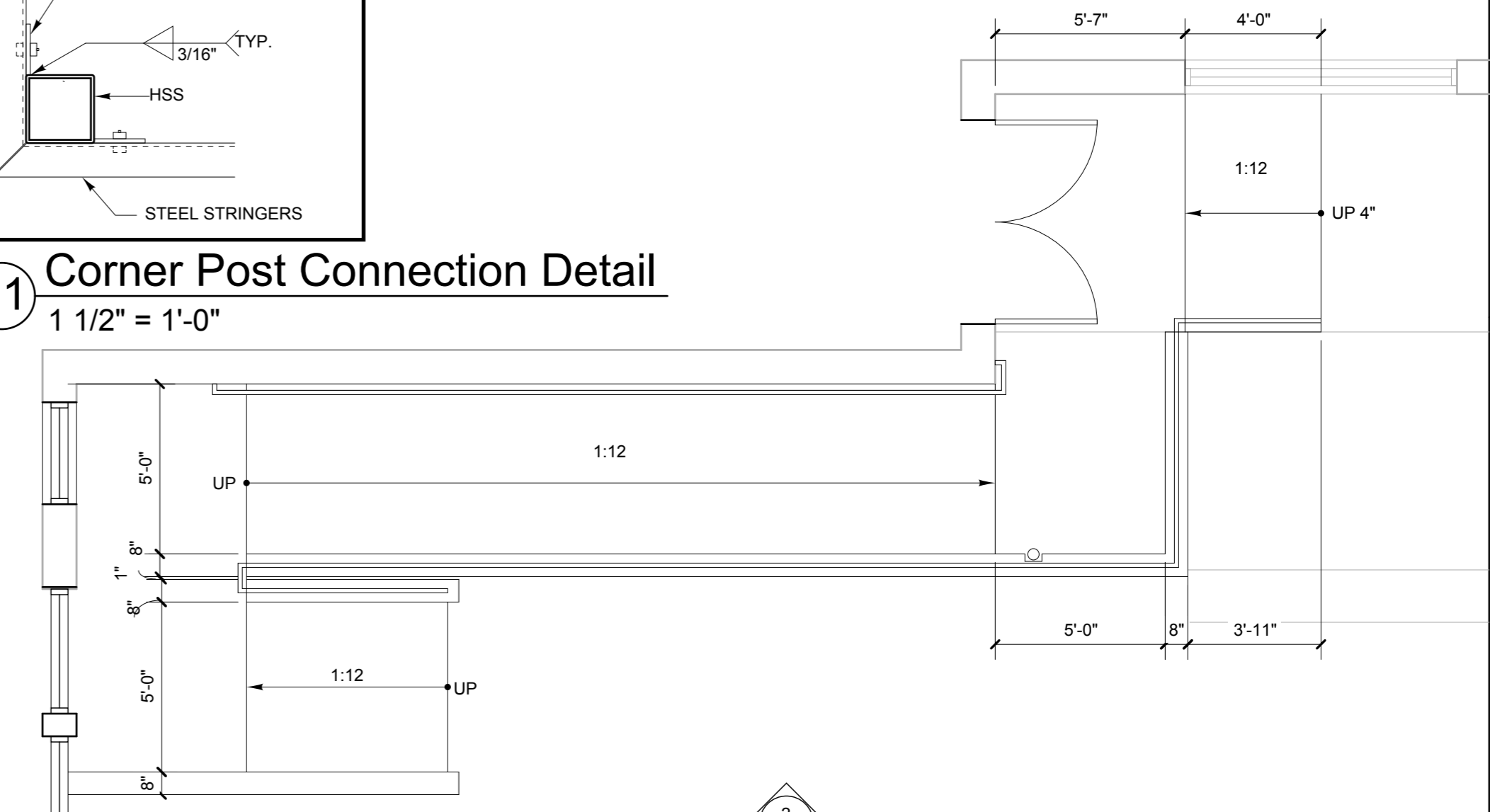
10 Detail at HSS & Foundation
 1 1/2" = 1'-0"



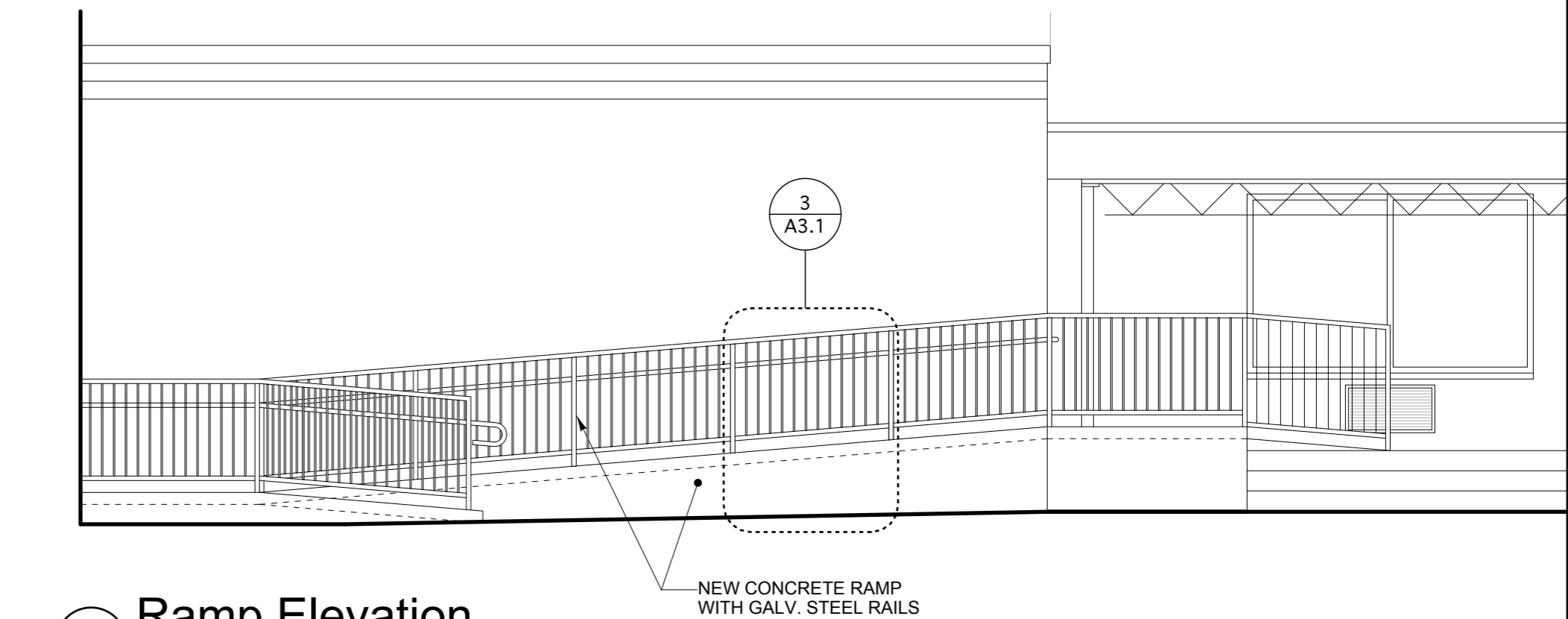
11 Corner Post Connection Detail
 1 1/2" = 1'-0"



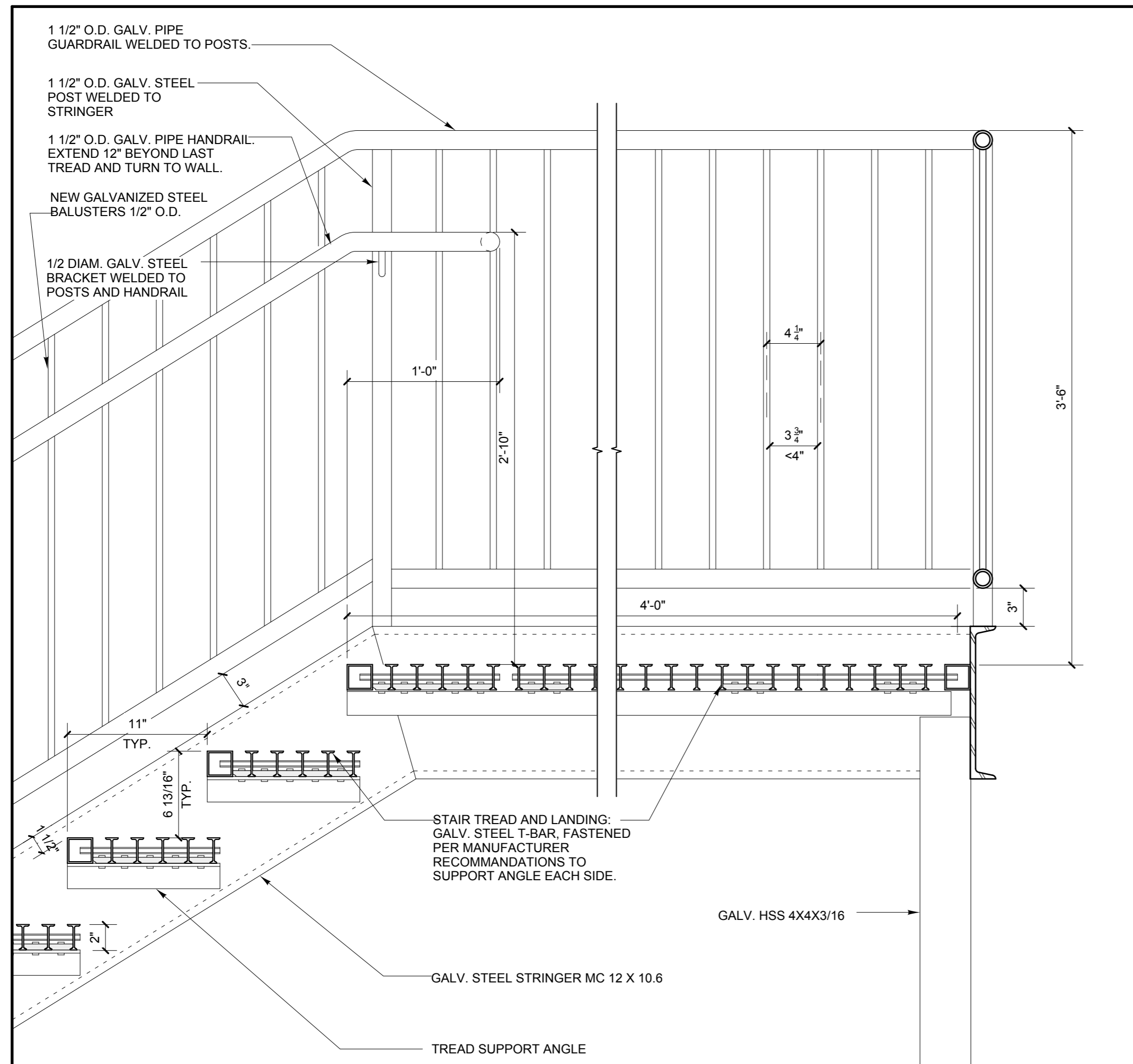
7 Exterior Stair Elevation
 1/4 = 1'-0"



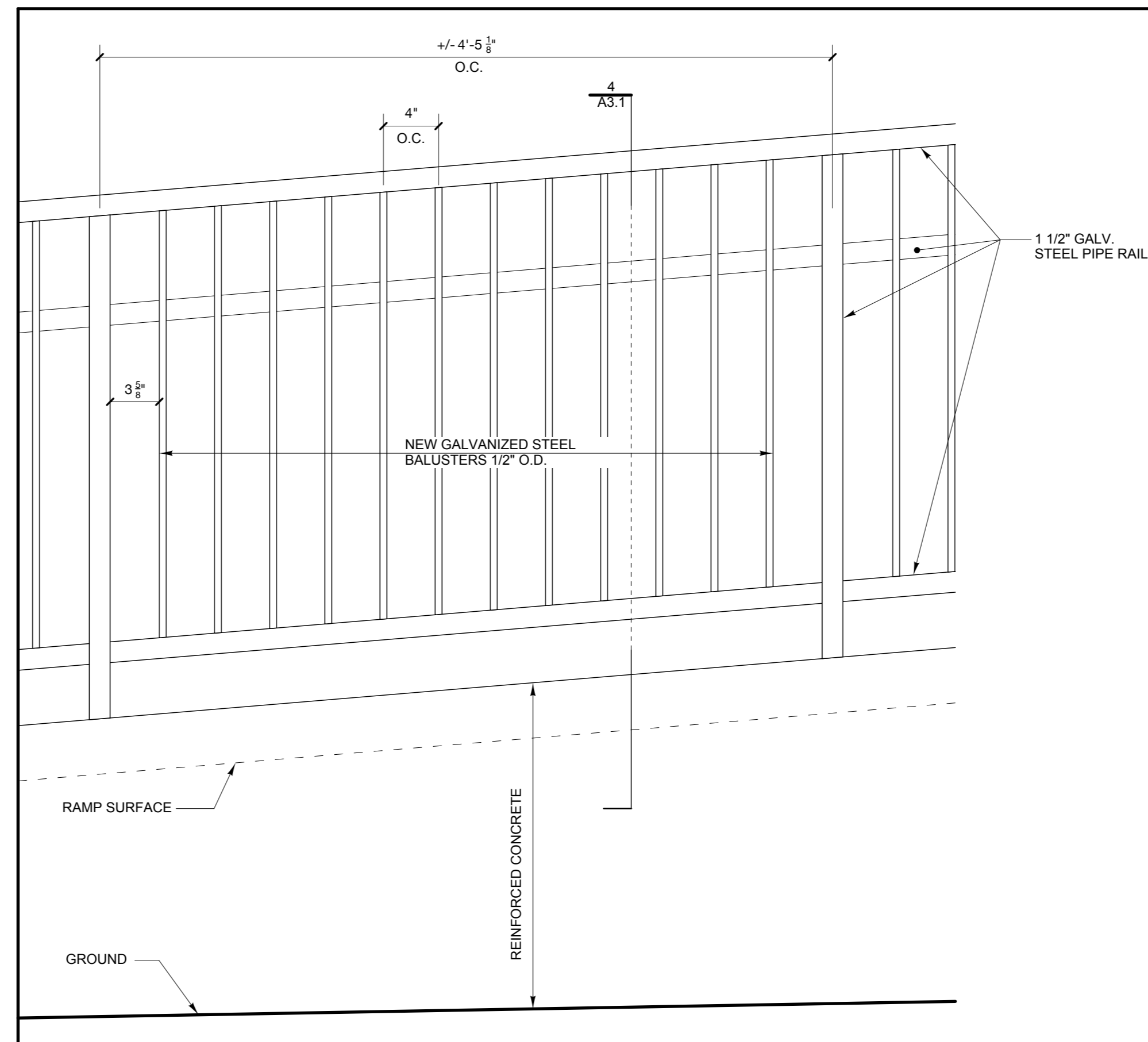
1 Ramp Enlarged Plan
 1/4 = 1'-0"



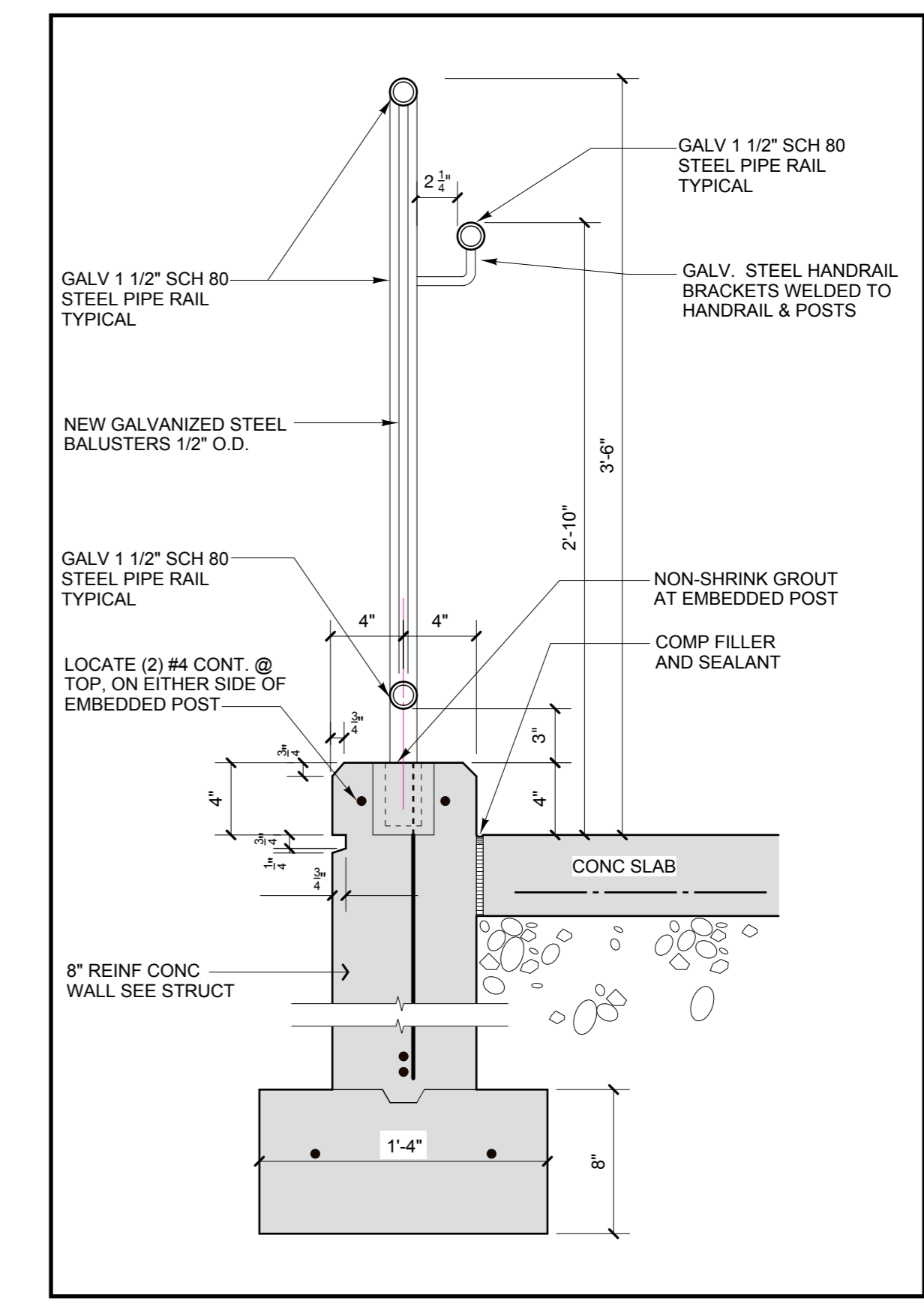
2 Ramp Elevation
 1/4 = 1'-0"



9 Steel Stair Detail at Top Landing
 1 1/2" = 1'-0"



3 Enlarged Rail Elevation at Ramp
 1 1/2" = 1'-0"



4 Section Detail at Ramp
 1 1/2" = 1'-0"