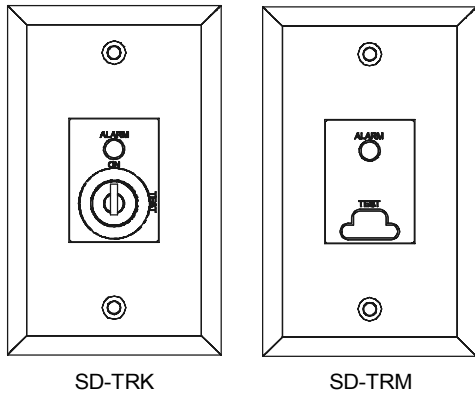


SD-TRK, SD-TRM Remote Test Stations

Product description



The SD-TRK and SD-TRM remote test stations are used with SuperDuct series of conventional two-wire and Signature duct smoke detectors. Each remote test station provides a red LED to indicate alarms. The SD-TRK requires a key to activate the test function while the SD-TRM requires the SD-MAG magnetic test tool (ordered separately).

For operating instructions, refer to the following documentation:

- *SuperDuct Conventional Two-Wire Duct Smoke Detector Technical Reference (P/N 3100737)*
- *SuperDuct Signature Duct Smoke Detector Technical Reference (P/N 3100738)*

Specifications

Compatible electrical boxes
 North American 1-gang box
 Standard 4-in square box, 1-1/2 inches deep, with 1-gang cover

LED indicators: Alarm (red)

LED type: Clear lens

Wire size: 12 to 22 AWG

Resistance per wire: 10 Ω , max.

Current requirements: Included in controller specification

LED circuit ratings

Voltage: 3 Vdc, max.

Current: 30 mA, max.

Switch ratings (SD-TRK)

Voltage: 125 Vdc, max.

Current: 4 A, max.

Switch ratings (SD-TRM)

Voltage: 200 Vdc, max.

Current: 0.5 A, max.

Compatible detectors: SuperDuct conventional two-wire and Signature duct smoke detectors

Operating environment

Temperature: 0 to 55 °C (32 to 131 °F)

Humidity: 93% RH, noncondensing

Storage temperature: -20 to 60 °C (-4 to 140 °F)

Installation instructions

Mount the remote test/reset station on a single gang box as shown in Figure 1.

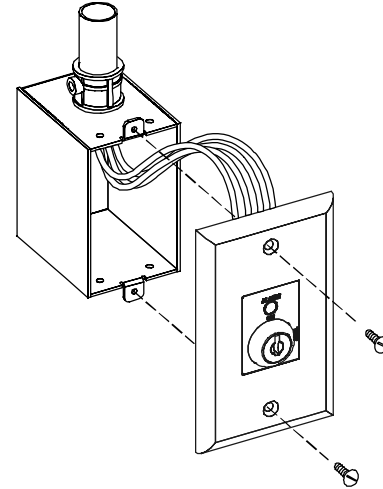


Figure 1: Installation diagram

Wiring diagram

Wire the remote test station to the duct smoke detector as shown in Figure 2.

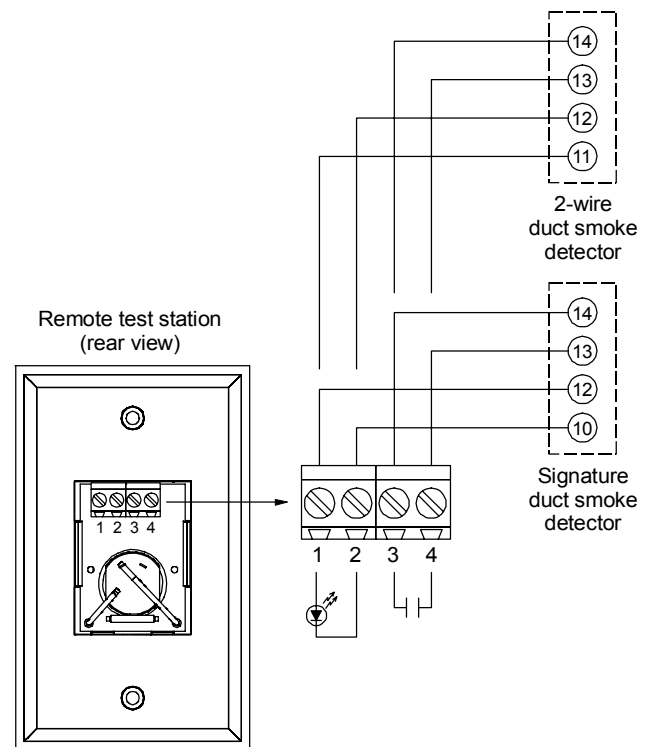


Figure 2: Wiring diagram