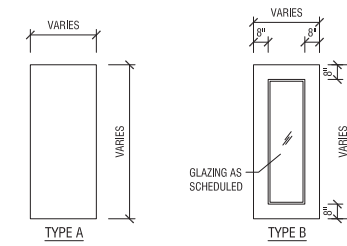


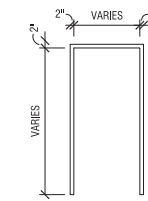
DOOR SCHEDULE															
DOOR		ROOM			DOOR				FRAME			THRESHOLD	HARDWARE	DOOR NO.	REMARKS
NO.	NO.	NAME	SIZE	TYPE	MATERIAL	GLAZING	LABEL	SIZE (WxH)	MATERIALS	TYPE					
2N006A	2N006	MENS RESTROOM	3'-0" X 6'-8"	A	FRP	--	--	3'-4" X 7'-0"	ALUM	A	ALUM	--	2N006		
2N006B	2N006A	STORAGE	2'-8" X 6'-8"	A	FRP	--	--	3'-0" X 7'-0"	ALUM	A	ALUM	--	--		
2N005	2N005	WOMENS RESTROOM	3'-0" X 6'-8"	A	FRP	--	--	3'-4" X 7'-0"	ALUM	A	ALUM	--	2N005		
2N007	2N007	HANDICAP RESTROOM	3'-0" X 6'-8"	A	FRP	--	--	3'-4" X 7'-0"	ALUM	A	ALUM	--	2N007		



**1 DOOR TYPES**  
A601 1/4" = 1'-0"

**GLAZING SCHEDULE**  
TYPE A - 1/4" TEMPERED PLATE OR LAMINATED SAFETY GLASS

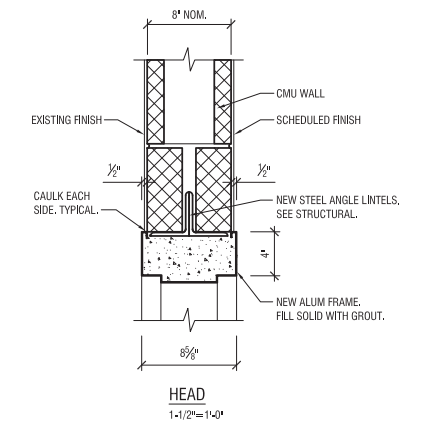
**NOTE:**  
PROVIDE TRANSITION STRIPS, TERMINATION BARS AND/OR THRESHOLDS AT ALL CHANGES IN FINISH MATERIAL ELEVATIONS (METAL TERM BARS, VINYL REDUCERS, ETC..)



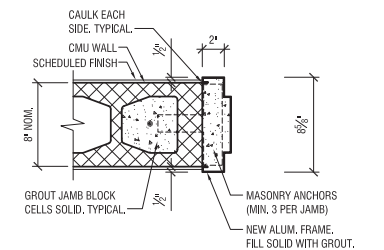
**FRAME TYPE A**  
1/4" = 1'-0"

**2 DOOR FRAMES**  
A601 1/4" = 1'-0"

**GENERAL NOTES:**  
1. ALL FRAME DIMENSIONS TO BE VERIFIED IN FIELD PRIOR TO FABRICATION.

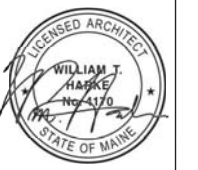


**HEAD**  
1-1/2" = 1'-0"



**JAMB**  
1-1/2" = 1'-0"

**A FRAME TYPE A**  
A601 1-1/2" = 1'-0"



ARCH D CADD Drawing, DO NOT REVISE MANUALLY.

REV.	DESCRIPTION	DATE	BY	CK	APP	OWNER ENGINEER:	APPROVAL STAMP:	PE Stamp	<b>CMP ENGINEERING</b> CONFIDENTIAL, PROPRIETARY and TRADE SECRET INFORMATION Property of CENTRAL MAINE POWER CO.		<b>CENTRAL MAINE POWER</b>		<b>PORTLAND SERVICE CENTER</b> <b>DOOR SCHEDULE, TYPES, AND DETAILS</b>	
1-0A	FOR PERMIT	10.31.16				<b>LABELLA</b> Associates, CPC			DRAWING PREPARED BY:		ACCEPTED BY OE:		SHEET 14 OF 14	
0-0A	FOR FINAL REVIEW	10.14.16							PORTLAND - 162 CANCO ROAD MAINE					
DR. WITH & JME CK. LABELLA APP. - REV. DATE:		SCALE: 1/4" = 1'-0" NO.		FILE: A601 Door Schedule, Types, and Details.rvt		<b>A-601</b>		REV. 0-0A						