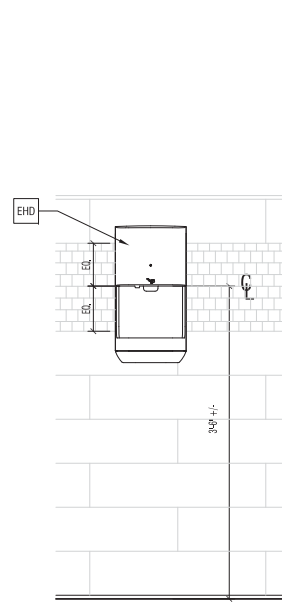
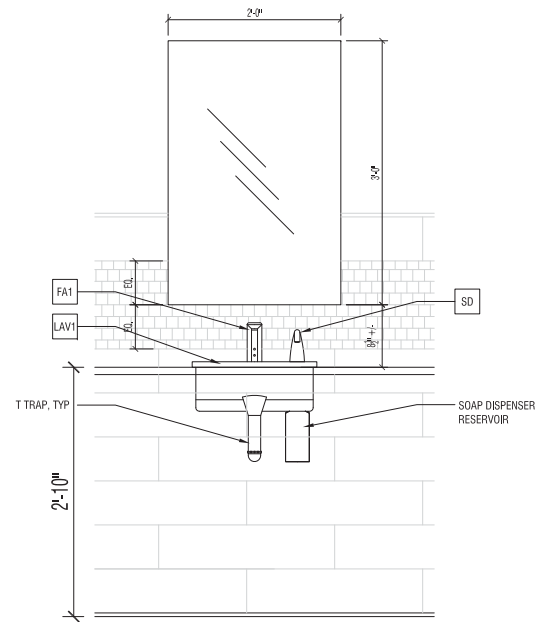


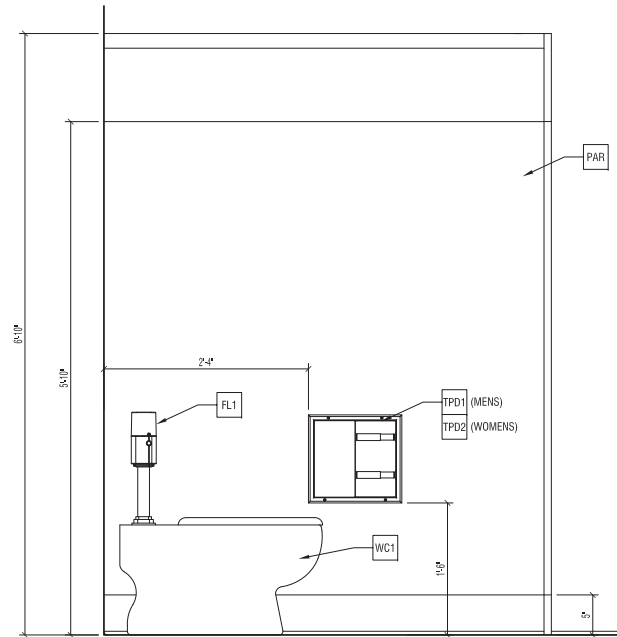
Keynote	LOCATION	MANUFACTURER	MODEL/NAME	SIZE
PAINT				
P1	PRIMARY WALL	BENJAMIN MOORE		
A1	ACCENT 1	BENJAMIN MOORE		
A2	ACCENT 2	BENJAMIN MOORE		
CEILING				
ACT	ACT	ARMSTRONG	ULTMA #1936	2' x 2'
TILE				
F1	FLOOR (MAIN)	OLYMPIA TILE	NEW LENGO	12" x 48"
F2	FLOOR (SHOWER)	OLYMPIA TILE	QUEBEC	1' x 1'
W1	WALL (MAIN)	OLYMPIA TILE	FIRENZE	6" x 24"
W2	WALL (ACCENT)	OLYMPIA TILE	OLJW.GRY.BL.1RR	
W3	WALL (SHOWER)	OLYMPIA TILE	QUEBEC	2' x 4'
C1	CEILING (SHOWER)	OLYMPIA TILE	QUEBEC	2x2
CB	COVE BASE	SCHLUTER	DILEX-HK	
WT	WALL TRIM	SCHLUTER	JOLLY	
GROUT				
-	FLOOR	FLEXITILE	JAVA	
-	WALL	FLEXITILE	SNOW WHITE	
FIXTURES				
WC1	TOILET (FLOOR MTD)	TOTO	CT705ELN#01	
WC2	TOILET (WALL MTD)	TOTO	CT708E#01	
FL1	FLUSHOMETER	TOTO	TET1LA32#CP	
UR1	URINAL	TOTO	UT105UN#01	
FL2	FLUSHOMETER	TOTO	TEL3UA11#SS	
LAV1	LAVATORY	MARZI	YD MEDIUM SLIDE	
LAV2	LAVATORY	KHOLER	K-1997-IR-0	
LAV3	LAVATORY	AMERICAN STANDARD	CAST IRON #7892.008	
FA1	FAUCET	KOHLER	K-7516-CP	
FA2	FAUCET	AMERICAN STANDARD	8344.012	
SD	SOAP DISPENSOR	BOBRICK	B-826.18	
EHD	HAND DRYER	TOTO	HDR101#WH	
SC	SHOWER CONTROL & HEAD	SPEAKMAN	SM-5410	
HS	HAND SHOWER (ADA)	SPEAKMAN	SM-5480-ADA	
SS	SHOWER STALL	KOHLER	K-12101-C-0	
SS (ACCESSORIES)	K-1665-CP SHOWER LIGHT AND K-9132-CP SHOWER DRAIN			
ACCESSORIES				
PAR	PARTITIONS	GENERAL PARTITIONS	POWDER COATED	
CTR	COUNTERS	CORIAN		
TPD1	TOILET TISSUE (MEN)	BOBRICK	B-386	
TPD2	TOILET TISSUE (WOMEN)	AMERICAN SPECIALTIES	4813	
SH	SHOWER SHELF (DRESSING AREA)	BRADLEY	7510	
HKS	HOOKS (DRESSING AREA)	BRADLEY	912	
BNH	SHOWER BENCH (ADA)	BOBRICK	B-5191	
GB1	GRAB BARS (TOILET-REAR)	BOBRICK	B-5806.99x36	
GB2	GRAB BARS (TOILET-SIDE)	BOBRICK	B-5806.99x42	
GB3	GRAB BARS (TOILET-VERTICAL)	BOBRICK	B-5806.99x18	
GB4	GRAB BARS (SHOWER)	(SEE TOILET BARS)		
MIR1	MIRROR (MEN)	-		



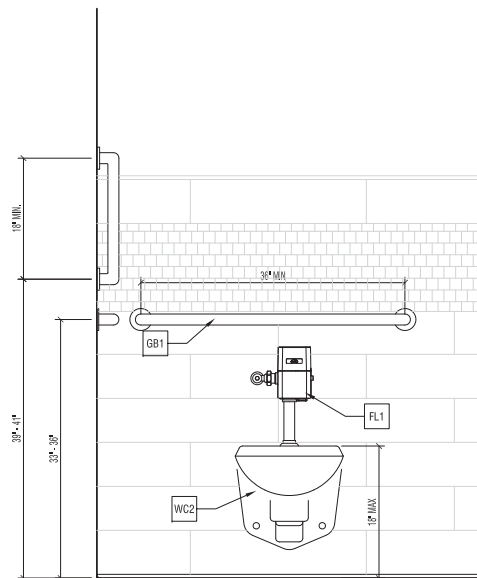
5 HAND DRYER TYP DTL
A201 1"=1'-0"



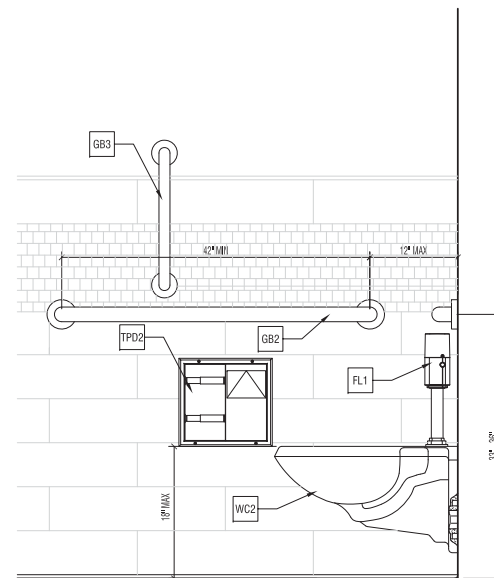
4 TYP LAVATORY DTL
A201 1"=1'-0"



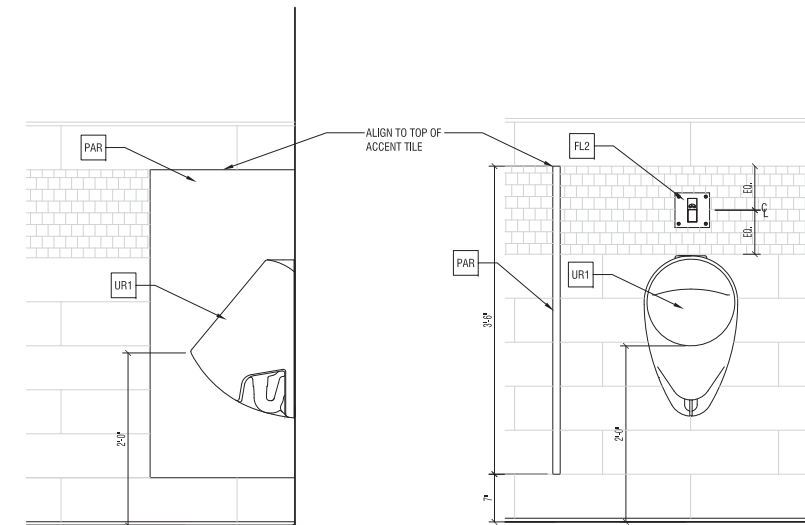
2 STD WATER CLOSET DETAIL
A201 1"=1'-0"



3 ADA WATER CLOSET DETAIL
A201 1"=1'-0"



1 URINAL TYP DTL
A201 1"=1'-0"



1 URINAL TYP DTL
A201 1"=1'-0"



REV.	DESCRIPTION	DATE	BY	CK	APP	OWNER ENGINEER:	APPROVAL STAMP:	PE Stamp					
1-0A	FOR PERMIT	10.31.16				LABELLA ARCHITECTS, P.C. 1000 BROADWAY, SUITE 200 PORTLAND, ME 04102 TEL: 603.876.1111 FAX: 603.876.1112 WWW.LABELLAARCHITECTS.COM		CMP ENGINEERING CONFIDENTIAL, PROPRIETARY and TRADE SECRET INFORMATION Property of CENTRAL MAINE POWER CO.		PORTLAND SERVICE CENTER TYPICAL RESTROOM DETAILS SHEET 13 OF 14 PORTLAND - 162 CANCO ROAD MAINE	DR. WTH & JME	SCALE: 1"=1'-0"	FILE: 2016 TYPICAL RESTROOM
0-0A	FOR FINAL REVIEW	10.14.16									CK. LABELLA	NO.	APP. -
REV.	DATE	BY	DESCRIPTION	APP.	DATE								

ARCHD CAD Drawing, DO NOT REUSE MANUALLY.