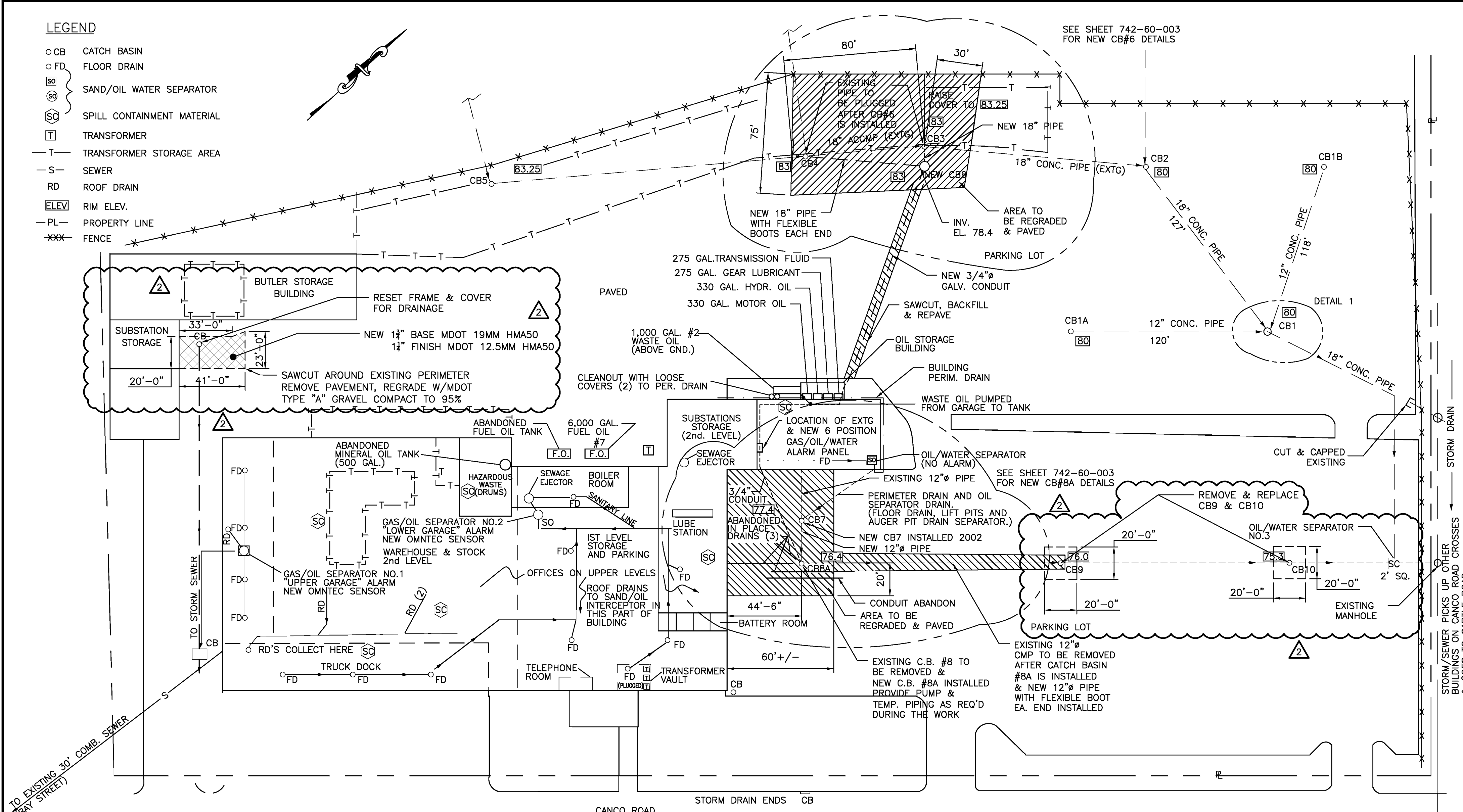
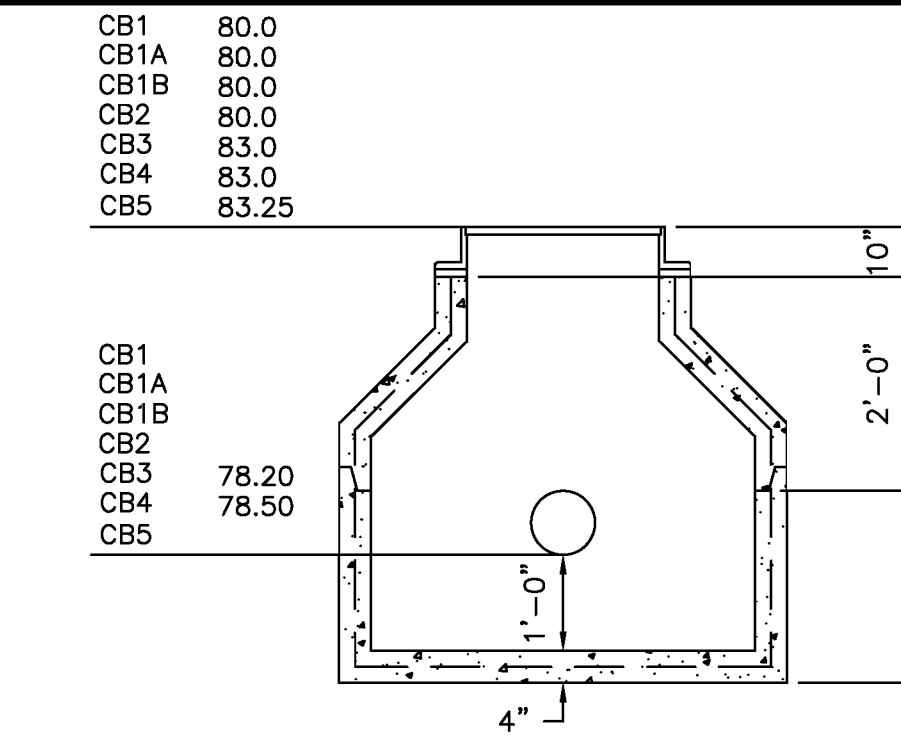


LEGEND

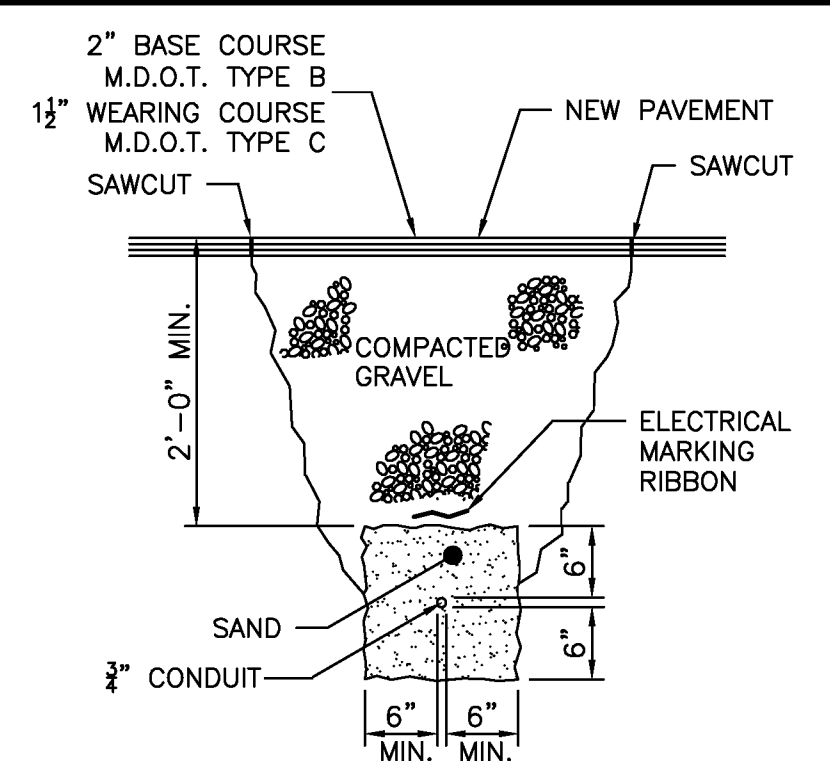
- CB CATCH BASIN
- FD FLOOR DRAIN
- ⊠ SAND/OIL WATER SEPARATOR
- ⊞ SPILL CONTAINMENT MATERIAL
- ⊞ TRANSFORMER
- T — TRANSFORMER STORAGE AREA
- S — SEWER
- RD — ROOF DRAIN
- ELEV. RIM ELEV.
- PL — PROPERTY LINE
- FENCE



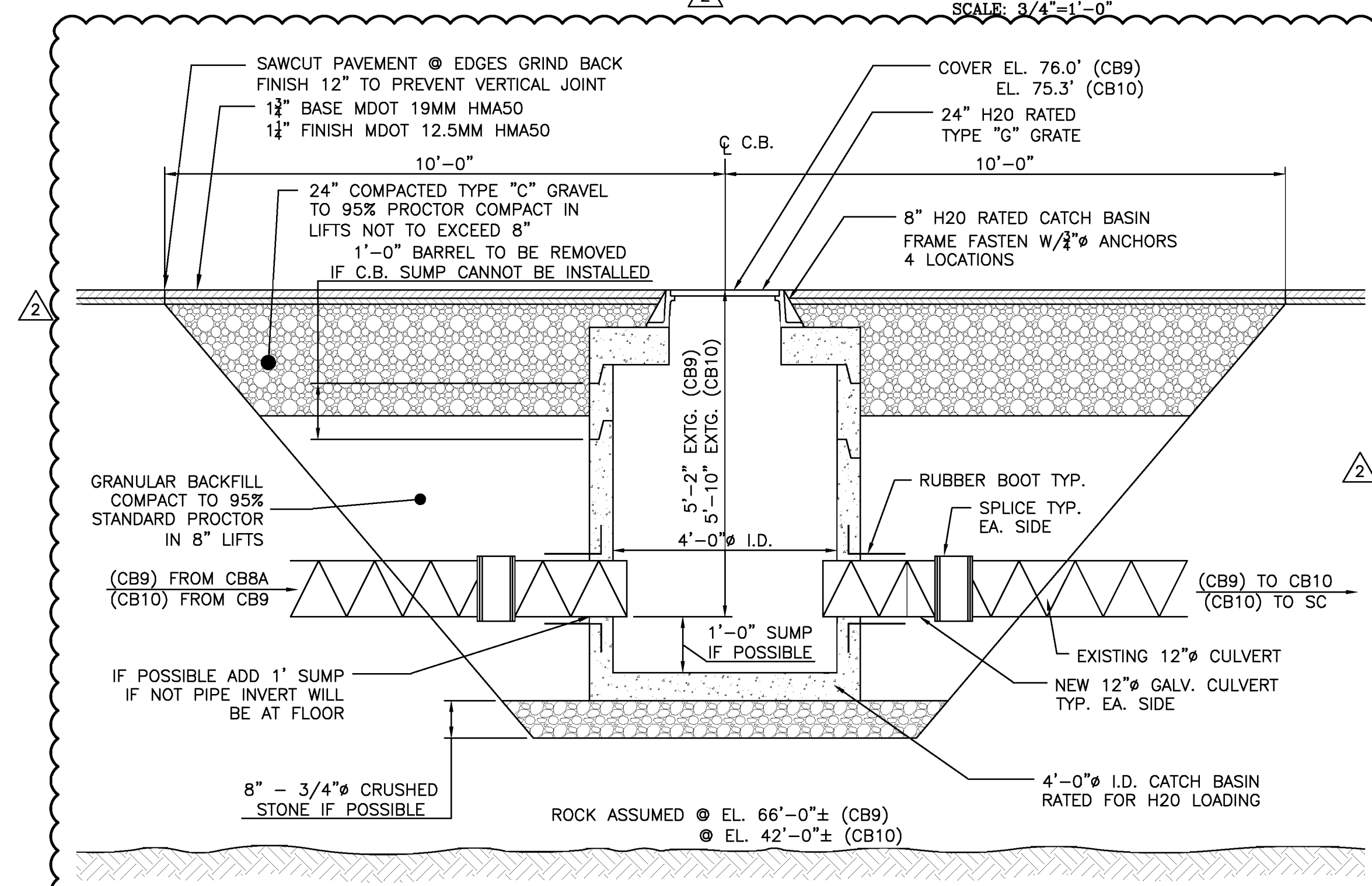
SITE PLAN
SCALE: 1"=40'



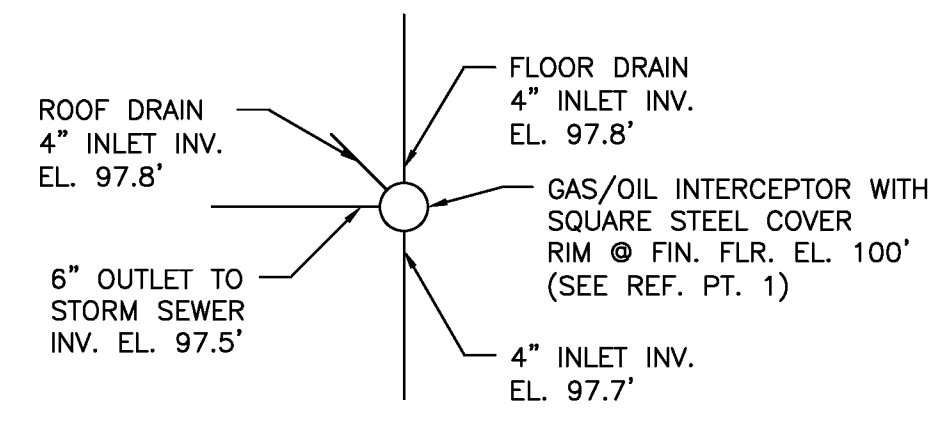
UPPER YARD TYPICAL CATCH BASIN



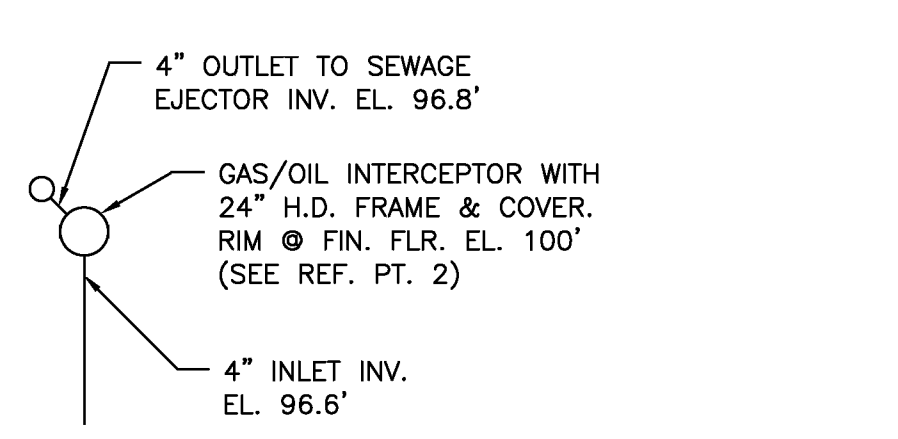
TYPICAL ELECTRICAL TRENCH DETAIL
SCALE: 3/4"=1'-0"



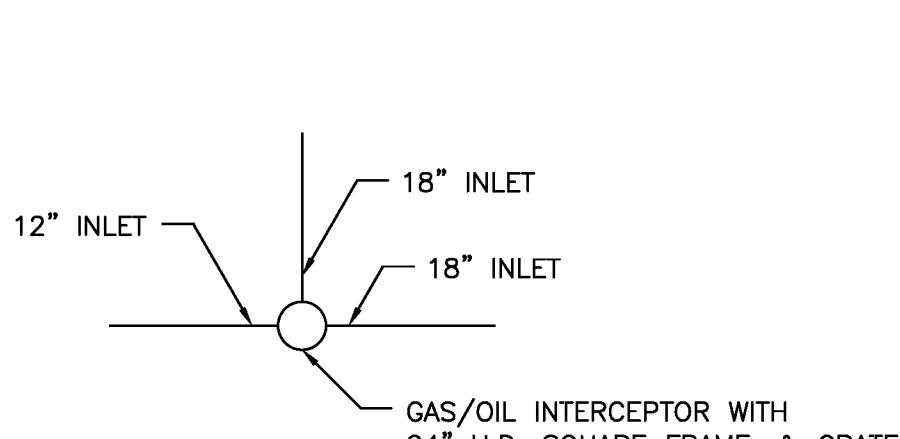
CATCH BASIN CB9 & CB10 SECTION
SCALE: 1/2"=1'-0"



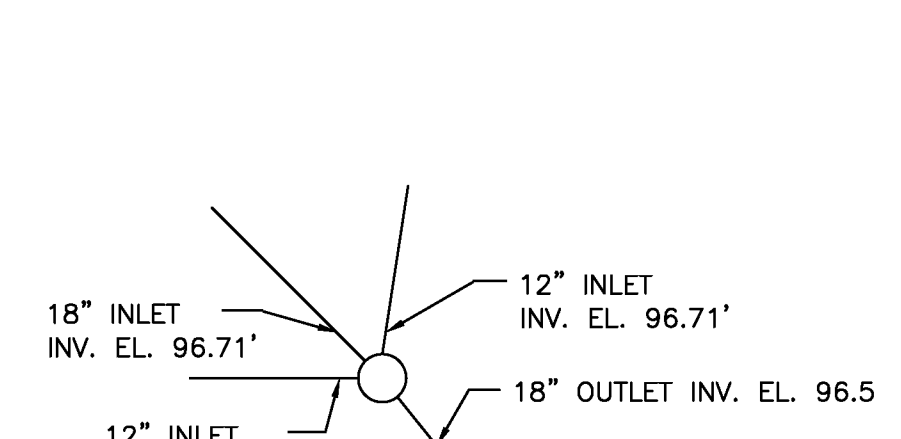
PLAN-INTERCEPTOR #1



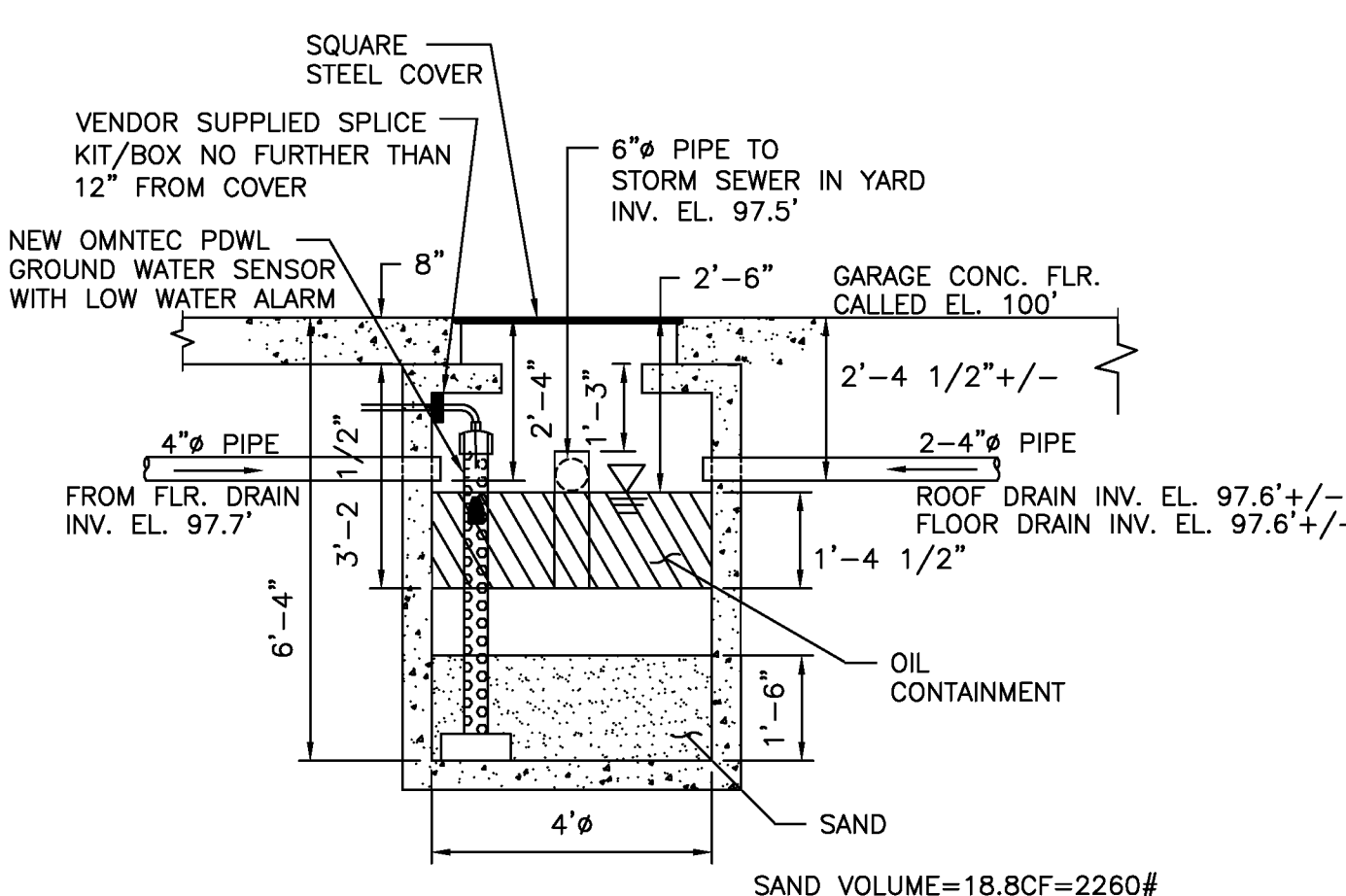
PLAN-INTERCEPTOR #2



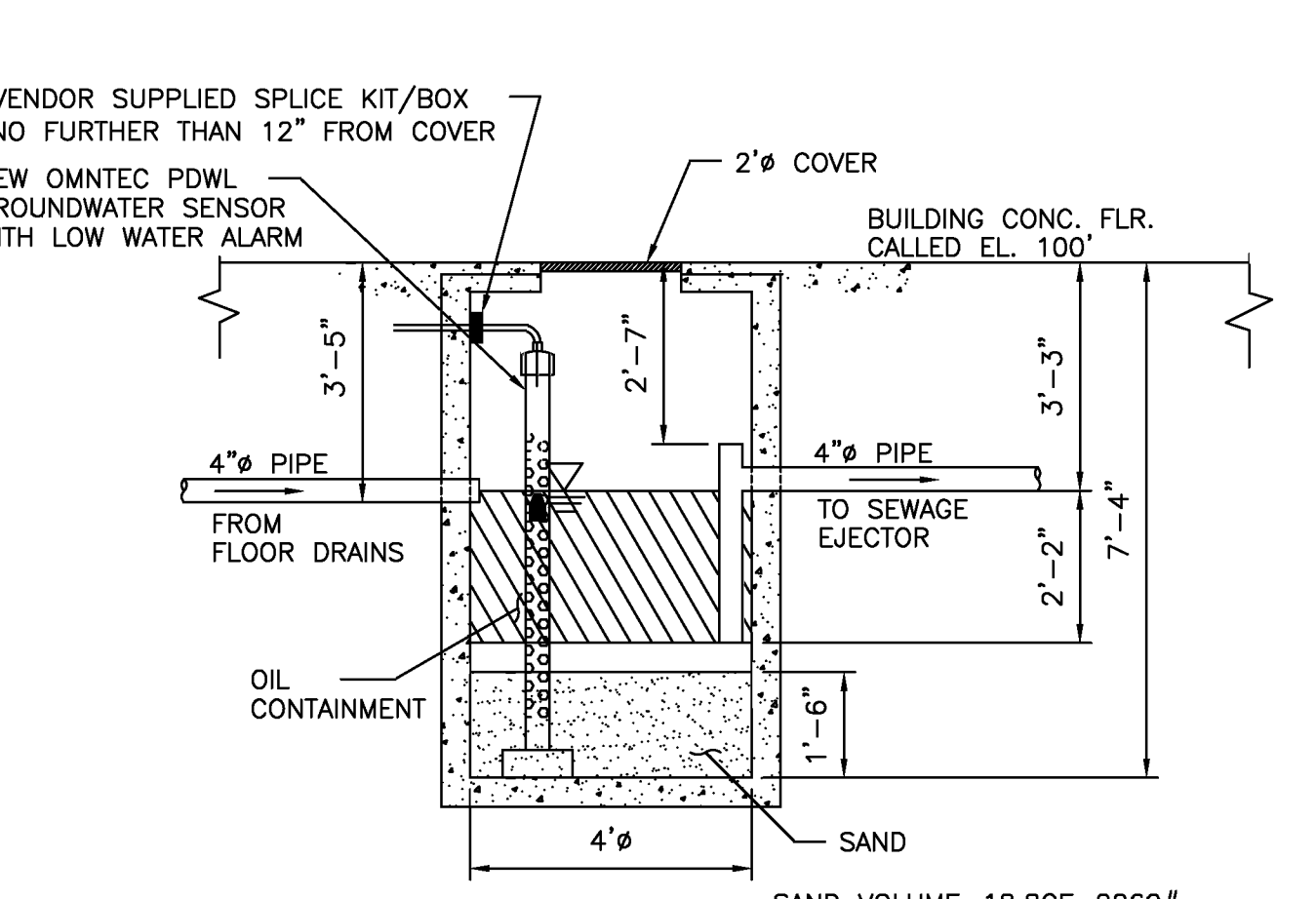
PLAN-INTERCEPTOR #3



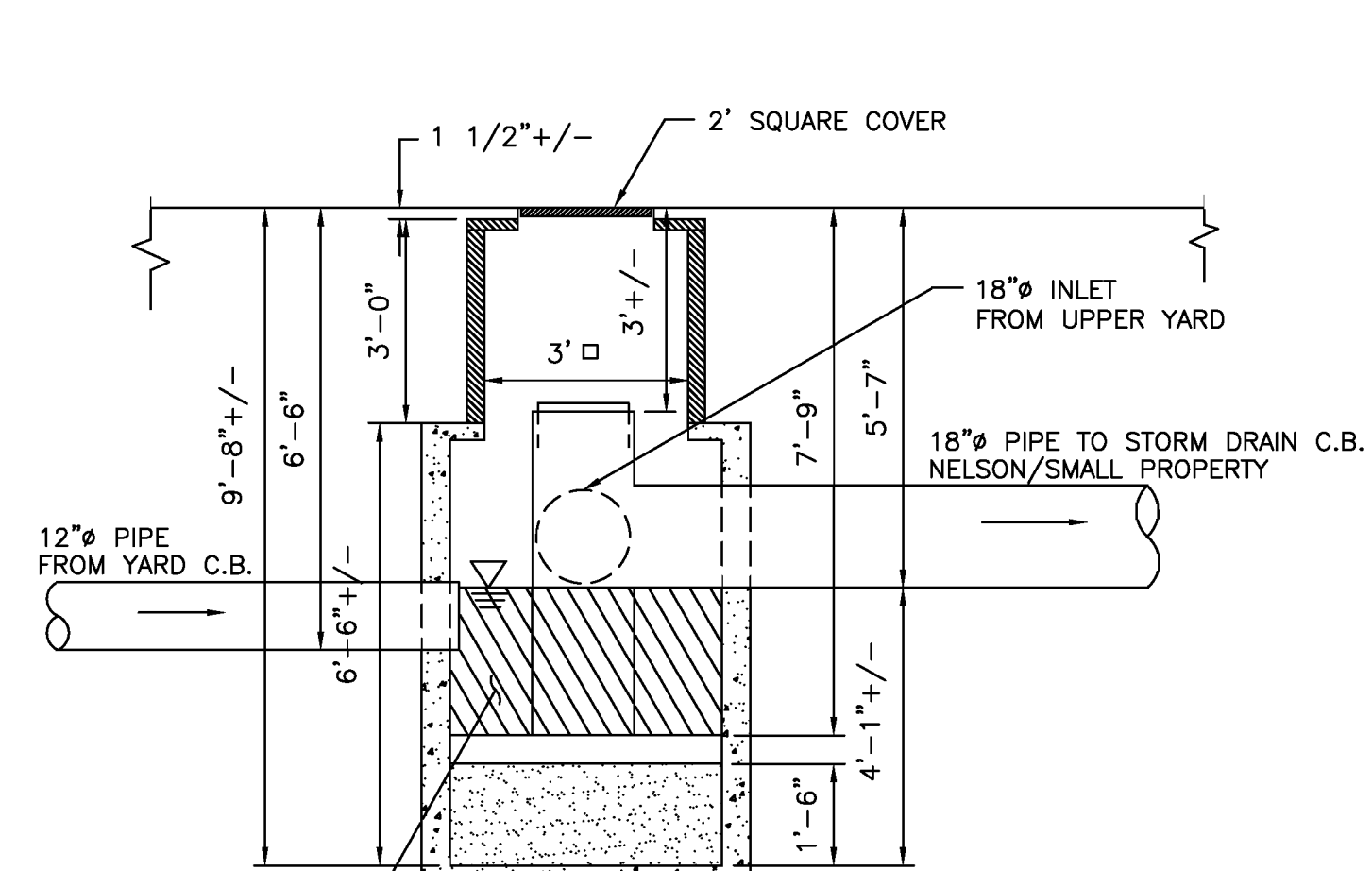
DETAIL 1



GARAGE-OIL/WATER INTERCEPTOR #1
SCALE: 3/8"=1'-0"



GARAGE-OIL/WATER INTERCEPTOR #2
SCALE: 3/8"=1'-0"

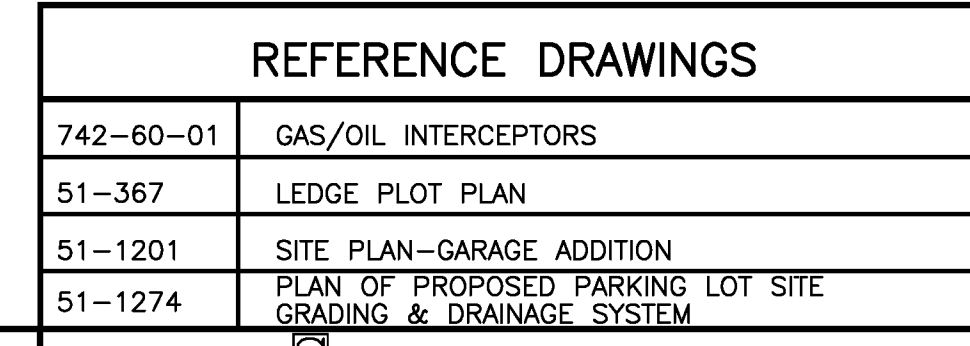


YARD-OIL/WATER INTERCEPTOR #3
SCALE: 3/8"=1'-0"

2010 NOTES:

1. SAWCUT PAVEMENT AROUND CB9 & CB10
2. REMOVE & DISPOSE OF EXISTING CB9 & CB10 CULVERT & SLAB CATCH BASINS, FRAMES & COVERS
3. REMOVE EXCAVATED MATERIALS OFFSITE
4. PROVIDE & INSTALL NEW 4' DIAMETER PRECAST CONCRETE CATCH BASINS, FRAMES & COVERS RATED FOR H2O LOADING
5. BACK FILL AND COMPACT NEW TYPE "C" GRAVEL
6. REPAVE W/1 1/2" BASE & 1 1/2" FINISH
7. AT SUBSTATION STORAGE BUILDING:
 - ✦ SAWCUT PAVEMENT
 - ✦ REMOVE & DISPOSE OF EXISTING PAVEMENT
 - ✦ RESET CATCH BASIN & COVER
 - ✦ RESHAPE & GRADE USING MDO TYPE "A" GRAVEL
 - ✦ COMPACT EXISTING & NEW GRAVEL
 - ✦ REPAVE W/1 1/2" BASE & 1 1/2" FINISH

TYPICAL LOWER YARD CATCH BASIN
SCALE: 3/4"=1'-0"

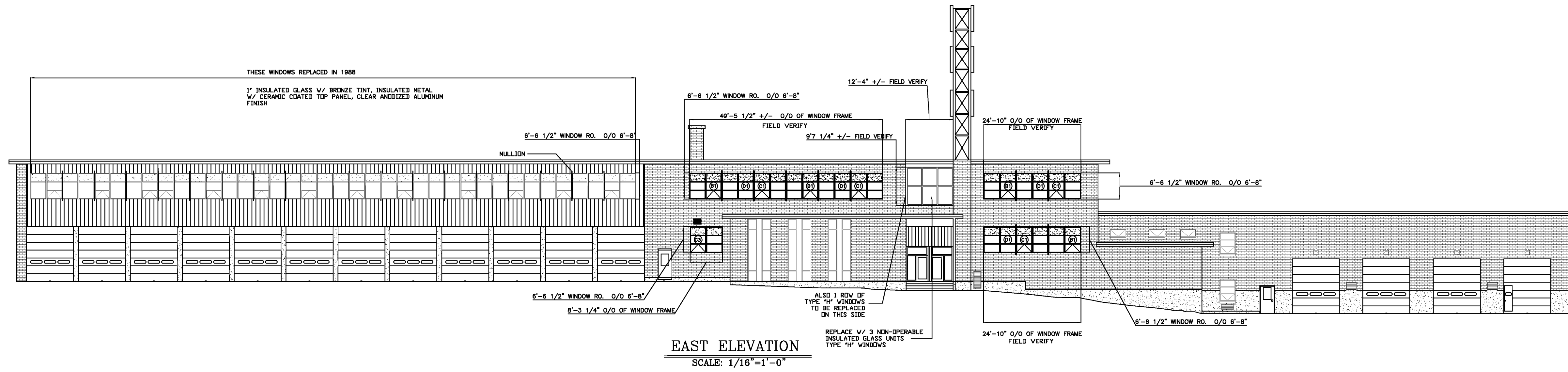


REFERENCE DRAWINGS

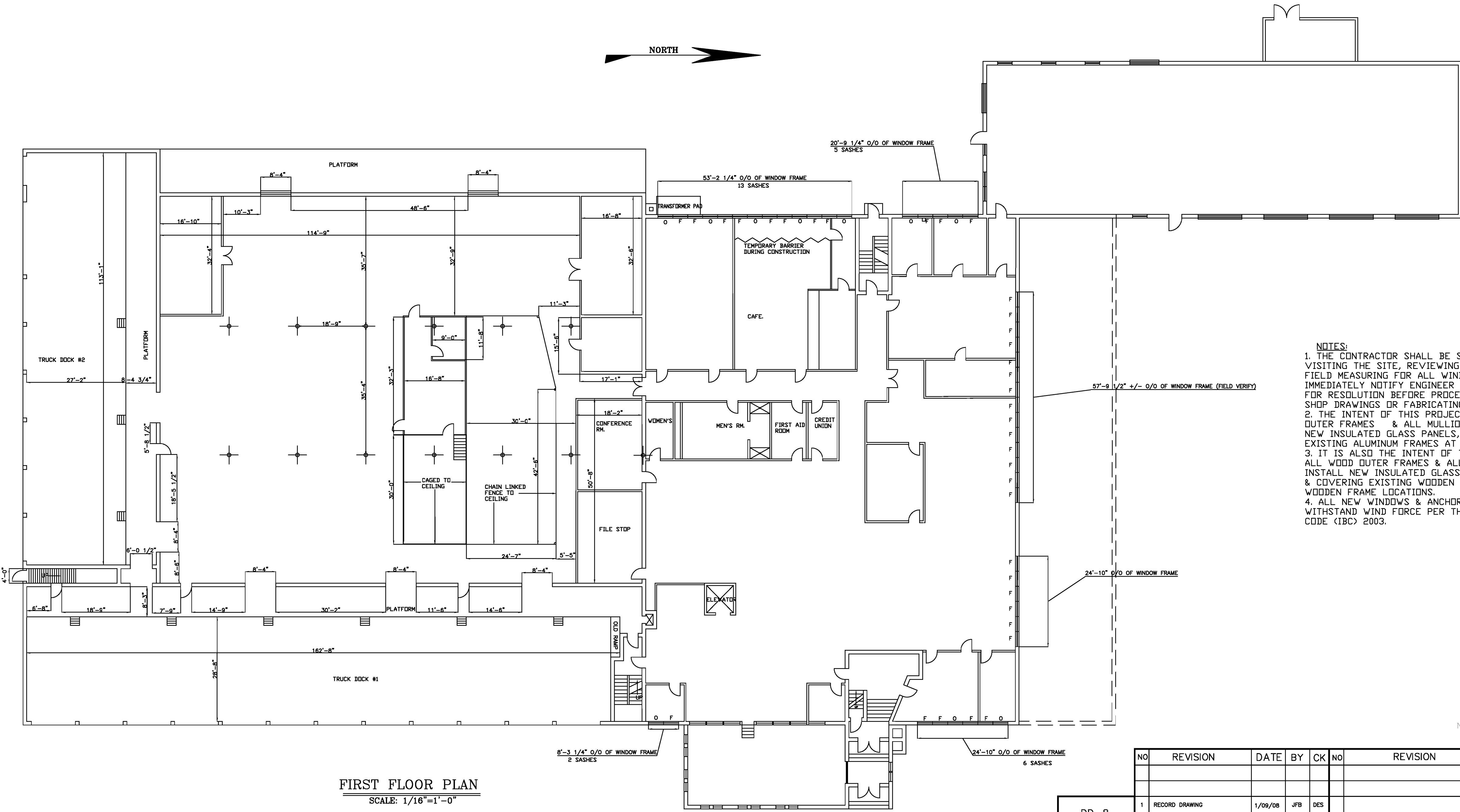
742-60-01	GAS/OIL INTERCEPTORS
51-367	LEDGE PLOT PLAN
51-1201	SITE PLAN-GARAGE ADDITION
51-1274	PLAN OF PROPOSED PARKING LOT SITE GRADING & DRAINAGE SYSTEM

BY FRD		DATE 08/02/10		BY JFB		DATE 08/22/02		SCALE AS NOTED		S.E.C.S DWG. No. 742-60-002		C.M.P. DWG. No. 742-60-002		REV 2	
2	REPLACEMENT OF CATCH BASINS #9 & #10	08/02/10	JFB	DES	DATE	8/22/02	SCALE	AS NOTED	S.E.C.S DWG. No.	C.M.P. DWG. No.	742-60-002	REV	2		
1	RECORD DRAWING	12/19/02	FRD	DES	DATE	8/22/02	SCALE	AS NOTED	S.E.C.S DWG. No.	C.M.P. DWG. No.	742-60-002	REV	2		
0	ISSUED FOR BID	9/13/02	FRD	DES	DATE	8/22/02	SCALE	AS NOTED	S.E.C.S DWG. No.	C.M.P. DWG. No.	742-60-002	REV	2		

PAULDING ENGINEERING AND CONSTRUCTION SERVICES, INC.
24 COMMON STREET, WATERVILLE, MAINE
CENTRAL MAINE POWER COMPANY
PORTLAND SERVICE BUILDING
2002 OIL/WATER INTERCEPTORS INSTALLATION
SITE PLAN, SECTIONS & DETAILS



EAST ELEVATION
SCALE: 1/16"=1'-0"



FIRST FLOOR PLAN
SCALE: 1/16"=1'-0"

- NOTES:
1. THE CONTRACTOR SHALL BE SOLELY RESPONSIBLE FOR VISITING THE SITE, REVIEWING DRAWINGS & DETAILS AND FIELD MEASURING FOR ALL WINDOWS TO BE REPLACED. IMMEDIATELY NOTIFY ENGINEER OF ANY DISCREPANCIES FOR RESOLUTION BEFORE PROCEEDING WITH PREPARING SHOP DRAWINGS OR FABRICATING UNITS
 2. THE INTENT OF THIS PROJECT IS TO REUSE ALUMINUM OUTER FRAMES & ALL MULLIONS AND INSTALLING NEW INSULATED GLASS PANELS, INSULATING & COVERING EXISTING ALUMINUM FRAMES AT ALL METAL WALL LOCATIONS.
 3. IT IS ALSO THE INTENT OF THIS PROJECT TO REUSE ALL WOOD OUTER FRAMES & ALL WOOD MULLIONS AND INSTALL NEW INSULATED GLASS PANELS, INSULATING & COVERING EXISTING WOODEN FRAMES AT ALL WINDOW WOODEN FRAME LOCATIONS.
 4. ALL NEW WINDOWS & ANCHORAGE TO BE DESIGNED TO WITHSTAND WIND FORCE PER THE INTERNATIONAL BUILDING CODE (IBC) 2003.

NOTE: REFER TO MANUFACTURER'S DRAWINGS FOR NEW WINDOW DETAILS.

THIS DRAWING SHALL BE REVISED ON THE CAD SYSTEM ONLY

DD-8

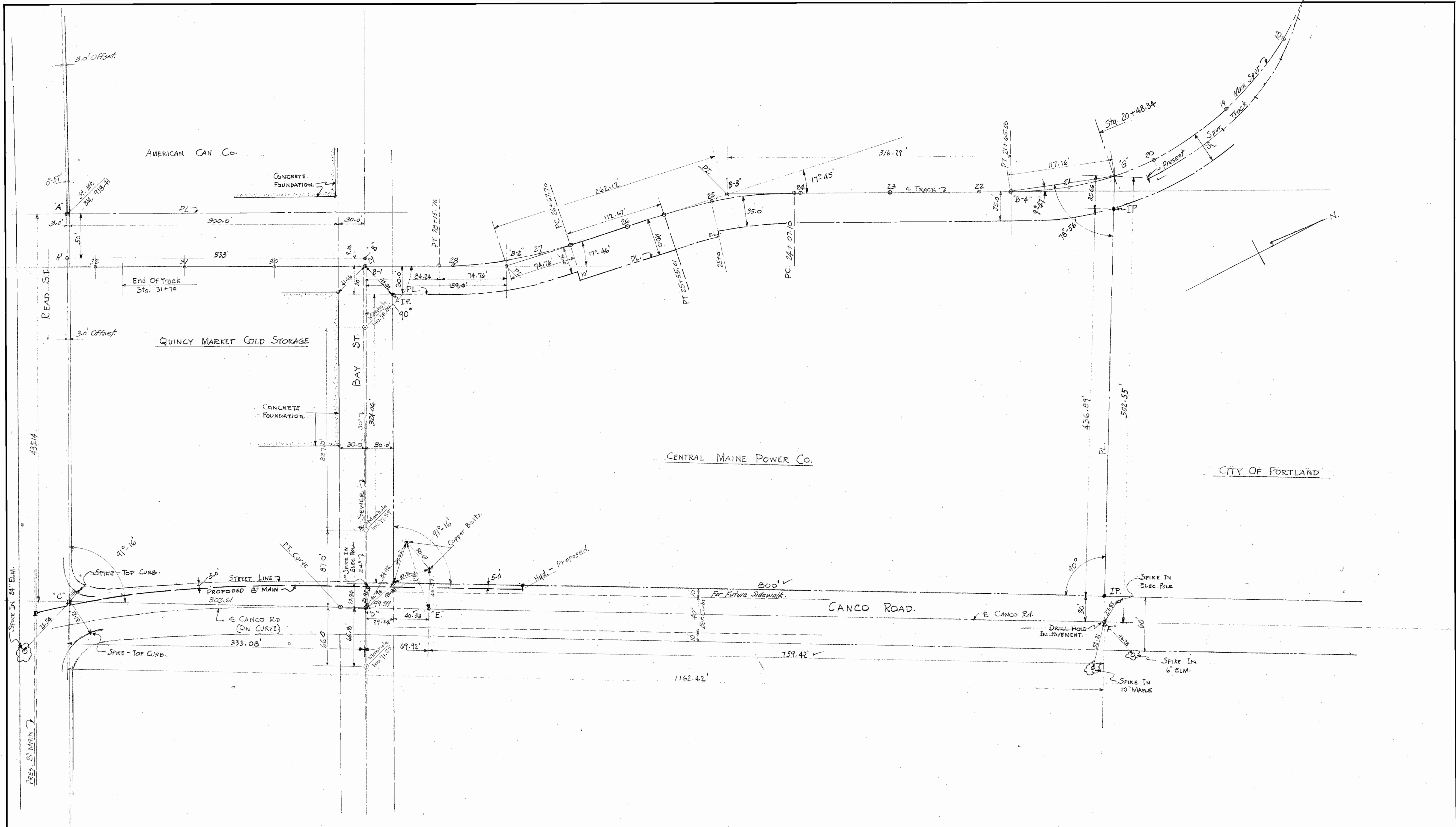
NO	REVISION	DATE	BY	CK	NO	REVISION	DATE	BY	CK
1	RECORD DRAWING	1/09/08	JFB	DES					
0	ISSUED FOR BID	4/06/07	JFB	DES					
	DESIGNED		DES						
	DRAWN		JFB						
	CHECKED		DES						
	APPROVED		DES						

SPAULDING ENGINEERING AND CONSTRUCTION SERVICES, INC.
24 COMMON STREET WATERVILLE, MAINE

PORTLAND SERVICE BUILDING WINDOW REPLACEMENT NEW WINDOWS EAST ELEVATION & FIRST FLOOR PLAN

CENTRAL MAINE POWER COMPANY
ENGINEERING DEPARTMENT
SCALE AS NOTED DATE 3/13/07

742-61-23

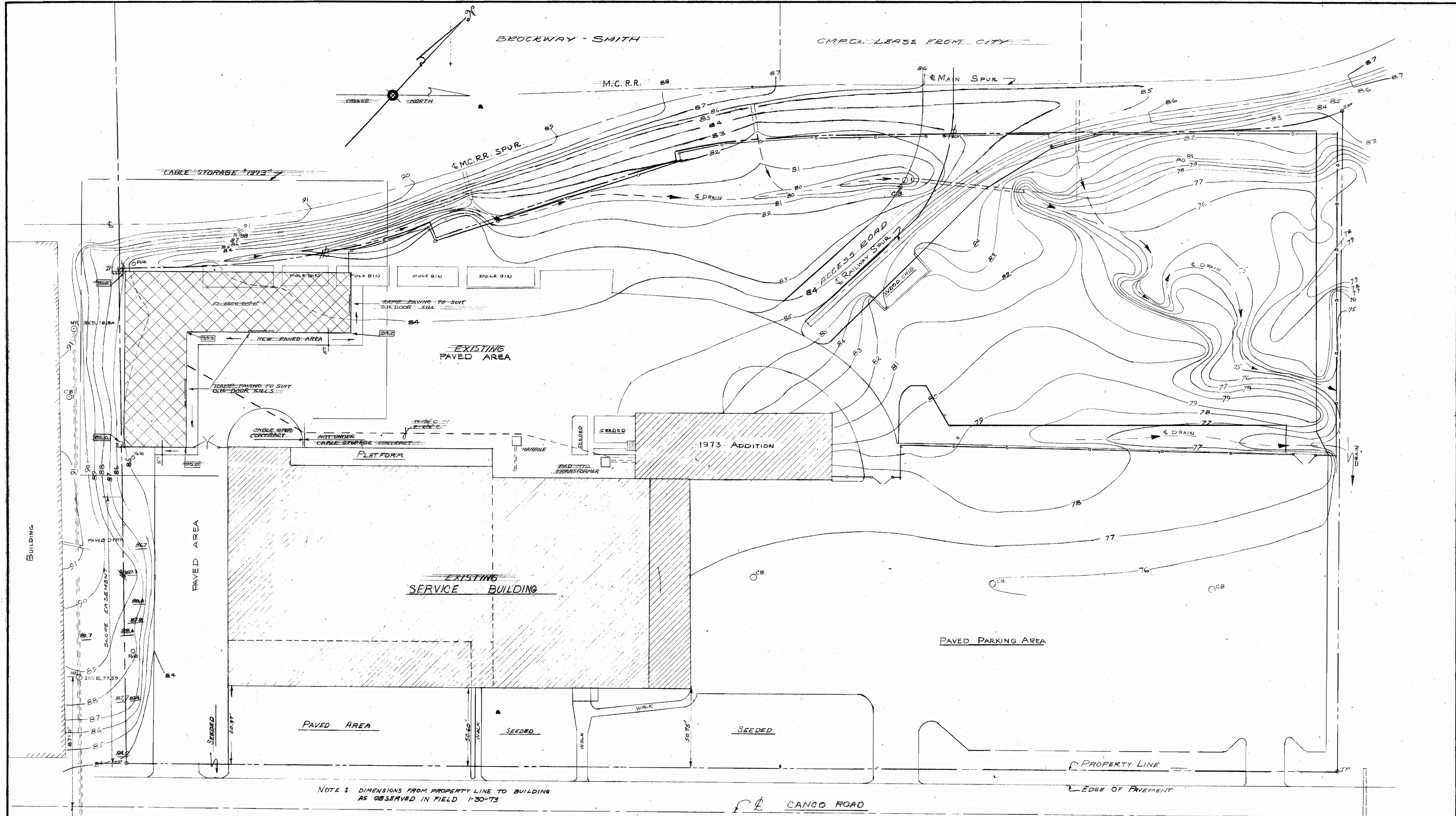


PLAN - PROPERTY LINE & SERVICES			
PROPOSED SERVICE BUILDING			
PORTLAND, MAINE			
CENTRAL MAINE POWER COMPANY			
DESIGNED		CHKD.	
DRAWN <u>BWF</u>			
TRACED		APPR.	
No. REVISION		DATE CHKD	
1. Prop Lines Add.		9/26/99	
NEPSCO SERVICES, INC.		51-116	
ENGINEERING DEPARTMENT		SCALE 1"=50 FT.	
		DATE 2-26-54	

5-7/7/99

No.	DATE	COPIES	REV. NO.	SENT TO	No.	DATE	COPIES	REV. NO.	SENT TO	No.	DATE	COPIES	REV. NO.	SENT TO
1					5					9				
2					6					10				
3					7					11				
4					8					12				

FOR PENCIL



020115

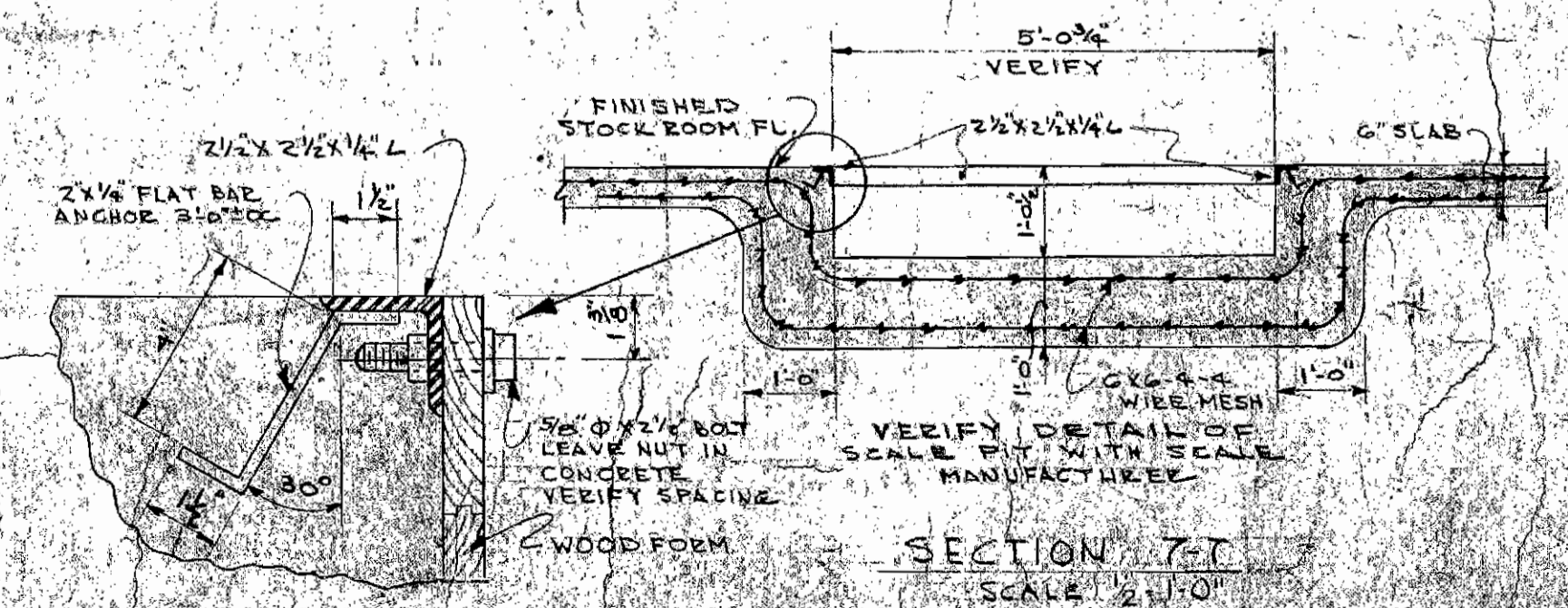
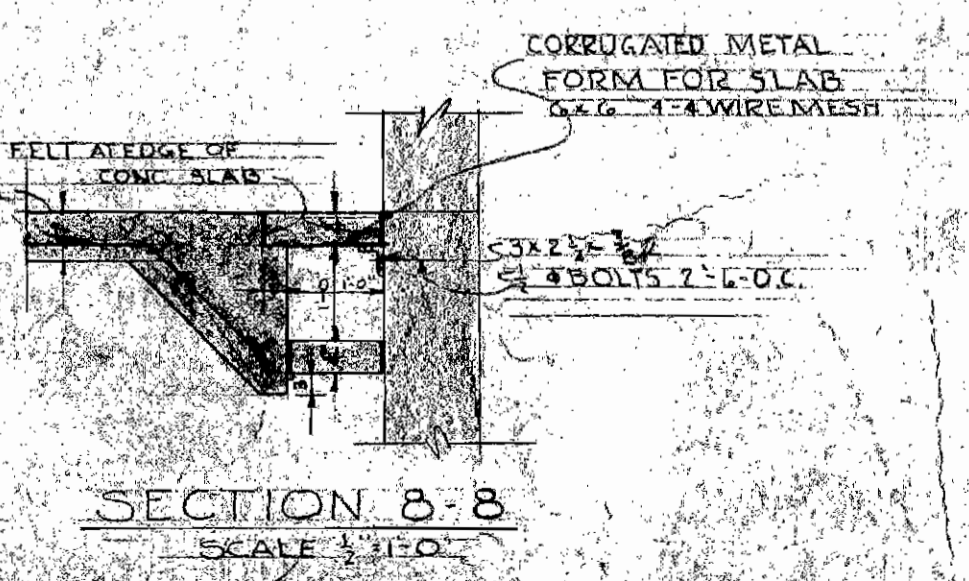
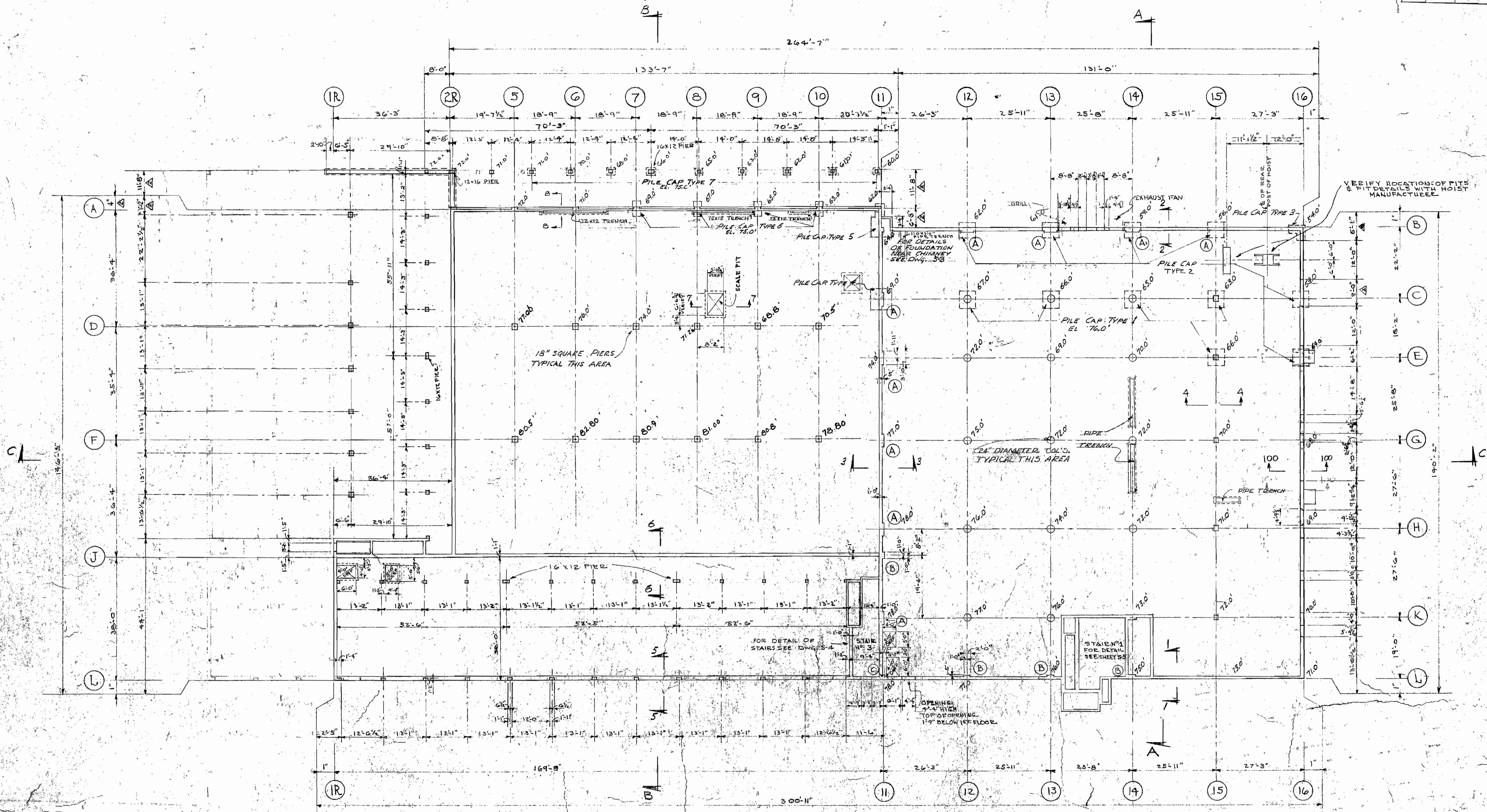
NOTE 2: DIMENSIONS FROM PROPERTY LINE TO BUILDING AS OBSERVED IN FIELD 1-30-73

NOTES CONTOUR INTERVAL 1 FOOT
 NOTES: CONTOUR INTERVAL 1 FOOT.
 DRAWING COMPILED FROM C.M.P.
 DRAWINGS Nos. 51-116, 51-120, 51-1201
 AND NEW SURVEY INFORMATION.
 SHOTS TAKEN OF EXPOSED LEDGE ARE UNDERLINED.

SITE PLAN			
CABLE STORAGE BUILDING			
PORTLAND SERVICE CENTER			
CANCO RD.		PORTLAND, MAINE	
CENTRAL MAINE POWER COMPANY			
ENGINEERING DEPARTMENT			
SCALE 1"=30'			
DATE 4-26-73			
51-1256			

5-7/19/99

NO.	DATE	REVISION DESCRIPTION
1	JUN 24 54	REVISED TO CONTRACT MEMO REVISIONS
2	AUG 5 54	CHANGED DIMENSIONS
3	8-20-54	REVISED WALL LINE 16
4	8/29/55	PUMP FOUNDATION & ELEV. CHANGE
5	8/29/55	FOUNDATION AT WALL LINE 2R



TYPICAL WALL REINFORCING UNLESS OTHERWISE SHOWN

8" WALL	#4 @ 10" OC. HOR.	CENTER
	#4 @ 18" OC. VERT.	
9" WALL	#4 @ 9" OC. HOR.	CENTER
	#4 @ 18" OC. VERT.	
12" WALL	#4 @ 12" OC. HOR.	E.F.
	#4 @ 18" OC. VERT.	
13" WALL	#4 @ 12" OC. HOR.	E.F.
	#4 @ 18" OC. VERT.	

NOTE: ALL ELEVATIONS GIVEN ARE ASSUMED LEGGE. VERIFY WITH MECHANICAL FOR REQUIRED OPENINGS IN CONCRETE WALLS.

5-7/8/99

WORK: SERVICE BUILDING & REPAIR GARAGE
CENTRAL MAINE POWER COMPANY
PORTLAND

DRAWING: FOUNDATION PLAN

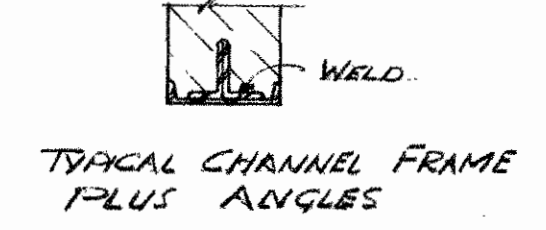
DESIGNED BY: ALONZO J. HARRIMAN, INC.
ARCHITECTS & ENGINEERS

STEVENS & SAUNDERS
PORTLAND, MAINE
ASSOCIATE ARCHITECTS

NO.	DATE	REVISION DESCRIPTION
1	Aug 5, 54	REVISED FRAMING, REVISIONS TO DIMENSIONS
2	8-20-54	REVISED LINTELS LINE 16
3	8-25-54	LOCATED FUTURE MONORAIL
4	8/23/55	ADD. DIMENSION

DOOR LINTEL SCHEDULE	
2L1	2-10C315.3
2L2	12-20.7 12x8x2 8" BARS
2L3	12-20.7 2-6x3x1/4 L
2L4	12-20.7 2-6x3x1/4 L JL
2L5	12-20.7 2-6x3x1/4 L JL
2L6	12-20.7 2-6x3x1/4 L JL
2L7	3-4x3x1/4 L JL
2L8	3-4x3x1/4 L JL
2L9	3-6x3x1/4 L JL
2L10	3-4x3x1/4 L JL
2L11	1-8x3 1/2 x 3/16 L OVER WINDOW VENT OPENING
2L12	3-4x3x1/4 L JL
2L13	3-4x3x1/4 L JL
2L14	12-20.7
2L15	3-4x3 1/2 x 3/16 L JL
2L16	3-5x3 1/2 x 3/16 L JL

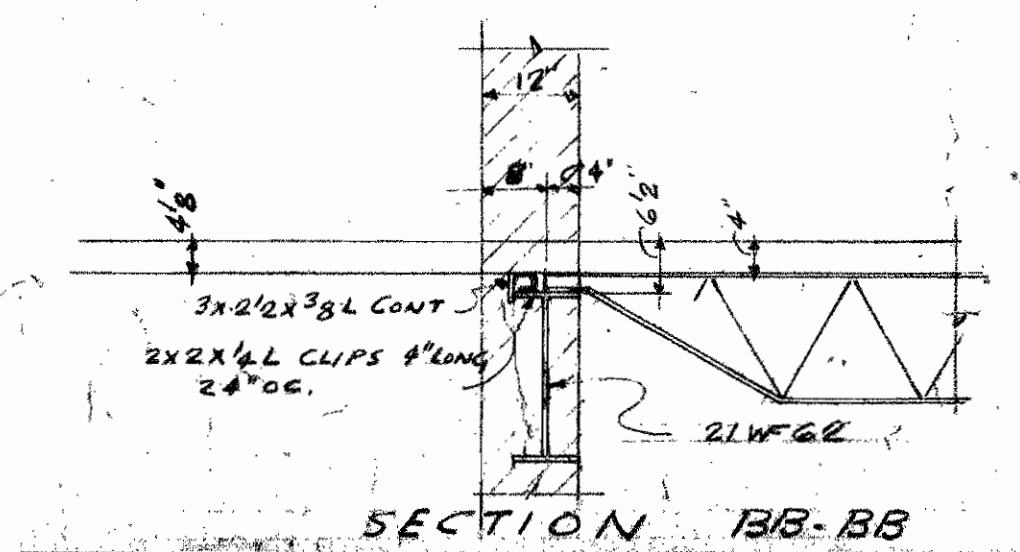
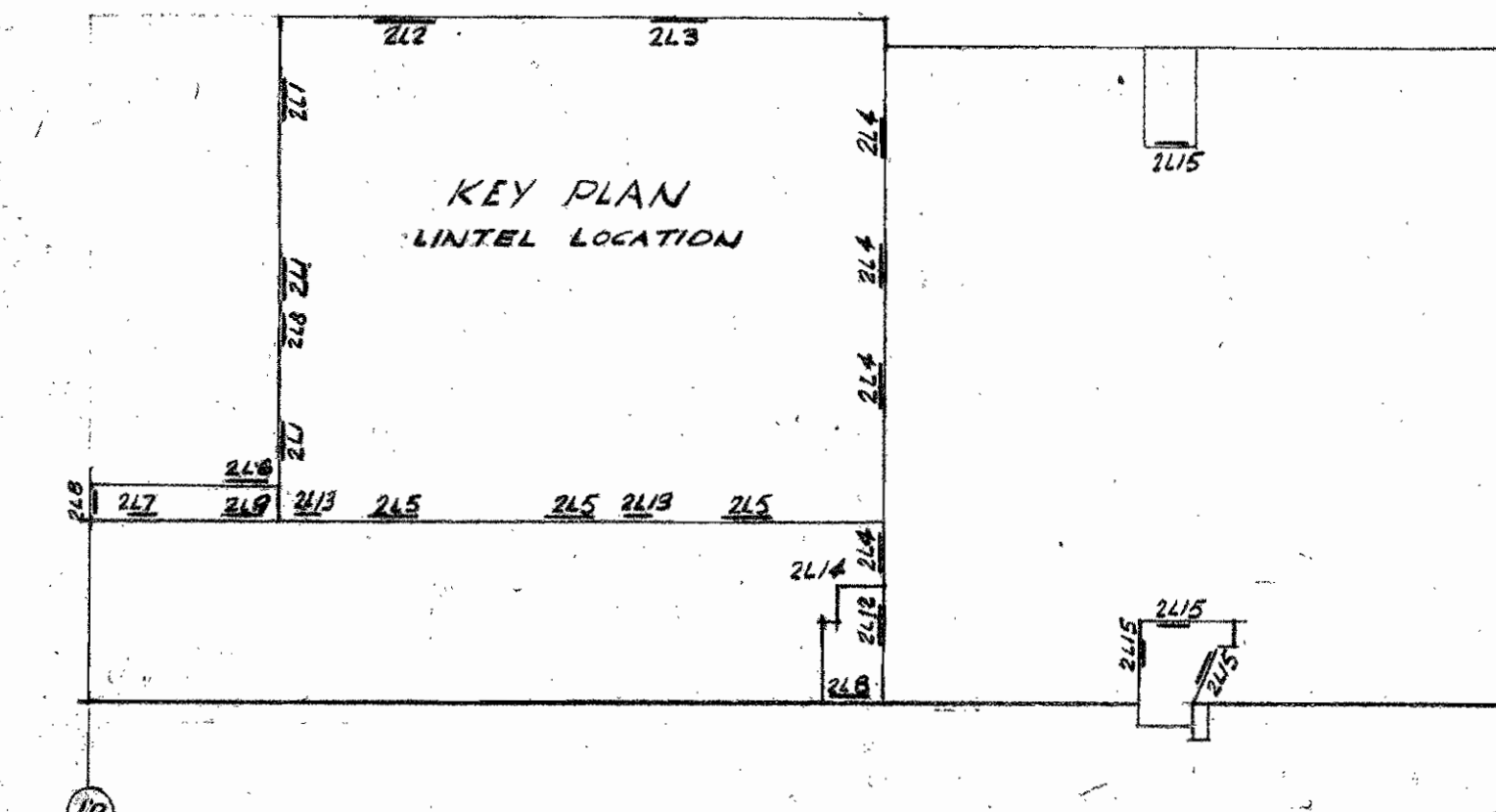
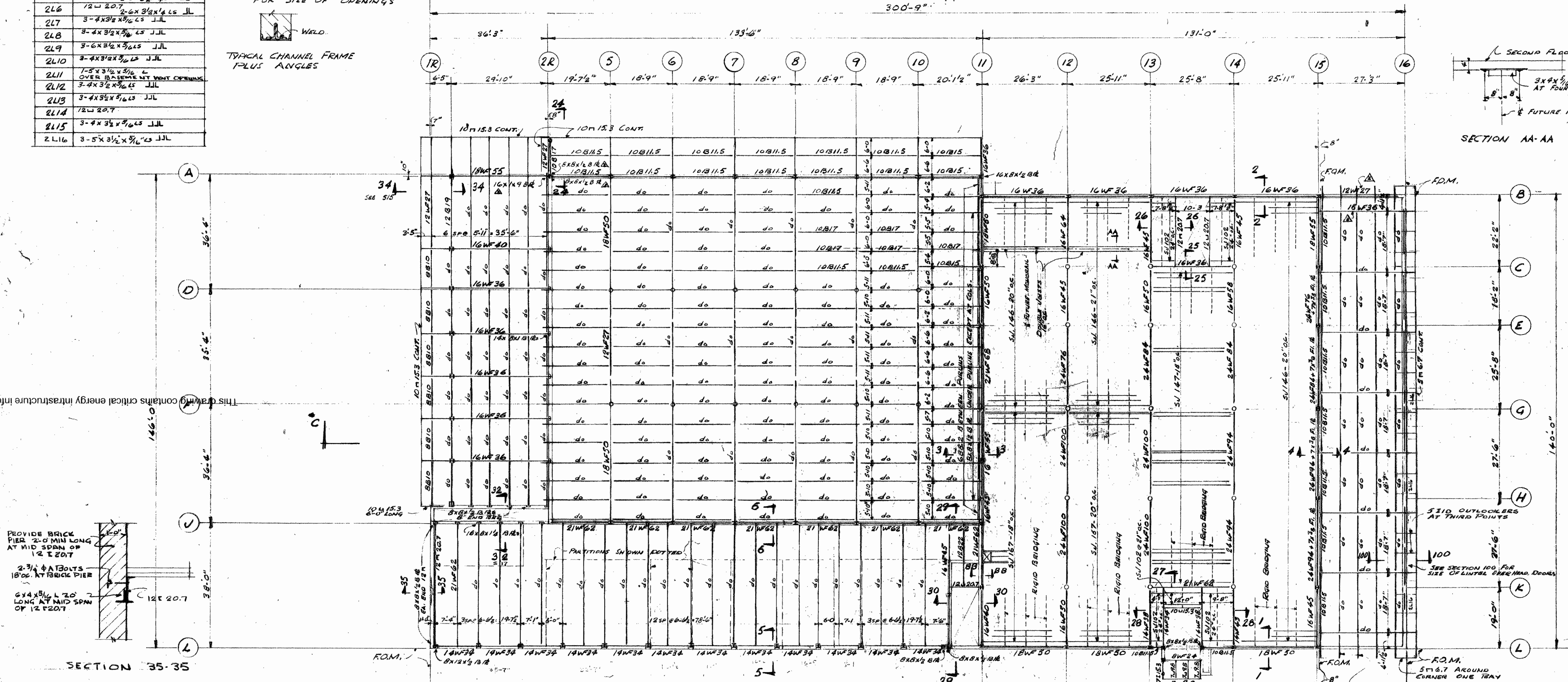
NOTE: ALL LINTELS TO BEAR A MIN OF 8" EXCEPT CHANNEL FRAME SEE ARCH. DWGS FOR SIZE OF OPENINGS



This drawing contains critical infrastructure information (cell) do not release without redaction

S-DR

51-367



VERIFY WITH ARCH PLANS & ROOM FINISH SCHEDULE FOR AREAS WHERE JOIST EXTENSIONS ARE REQUIRED FOR PASTER CRIMING.

STEVENS & SAUNDERS
PORTLAND, MAINE
ASSOCIATE ARCHITECTS

WORK SERVICE BUILDING COMPANY
CENTRAL MAINE POWER COMPANY
PORTLAND MAINE

DRAWING SECOND FLOOR & LOW ROOF FRAMING PLANS

SCALE 1/2" = 1'-0"

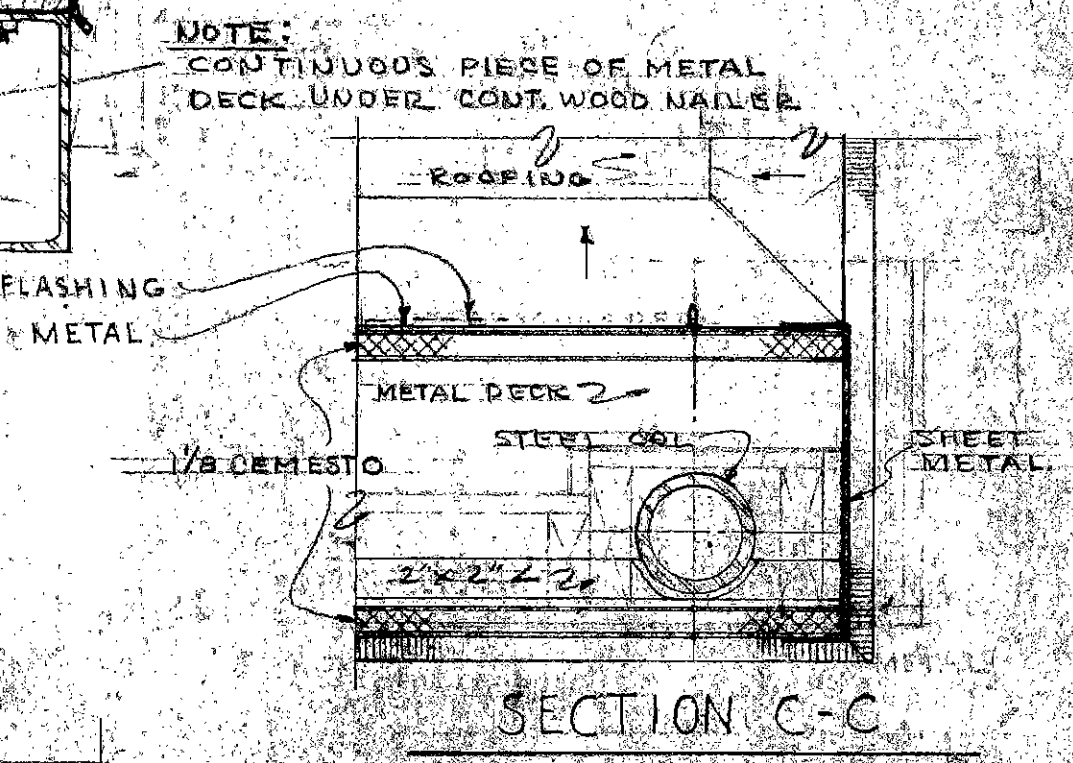
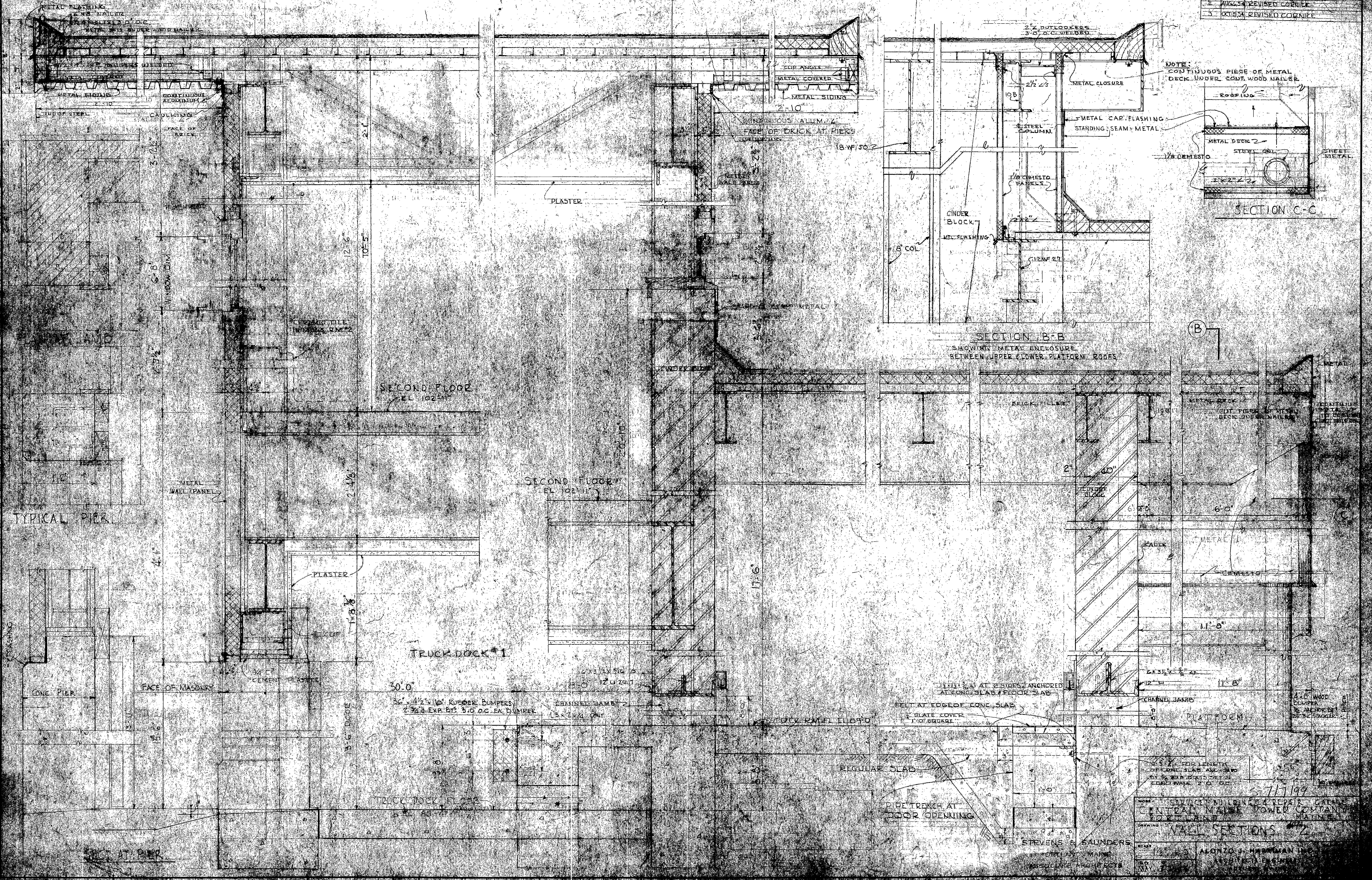
DATE JULY 13, 1954

DESIGNED BY ALONZO J. HARRIMAN INC ARCHITECTS-ENGINEERS AUBURN, MAINE

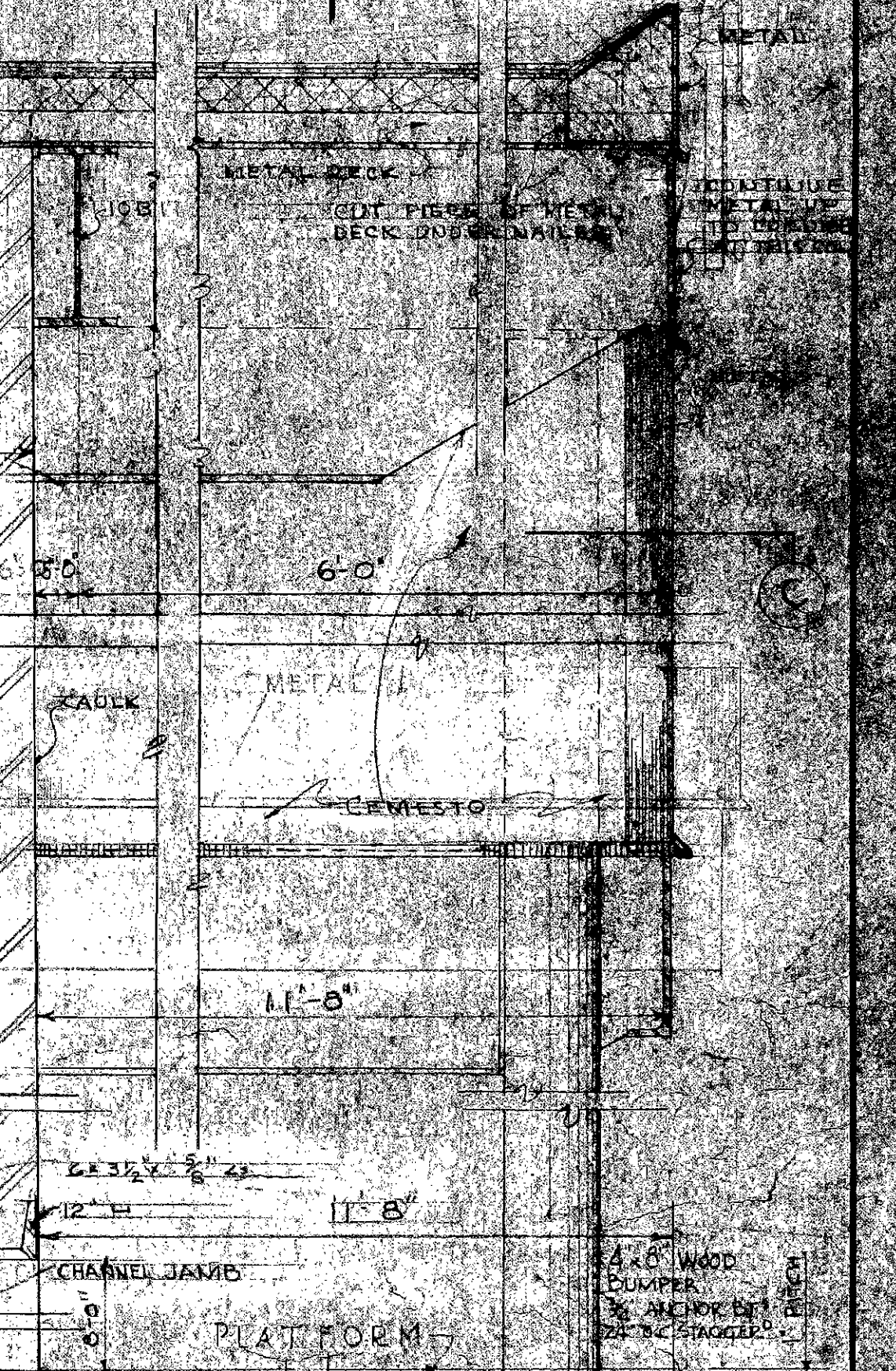
DRAWING NO. 5-82

6-7/8/99

- 1. 1/2" x 1/8" CORRUGATED GALV. SHEET
- 2. AUG. 24 REVISED CORNICE
- 3. OCT. 24 REVISED CORNICE



SECTION B-B
SHOWING METAL ENCLOSURE BETWEEN UPPER & LOWER PLATFORM ROOFS



5-7-1949

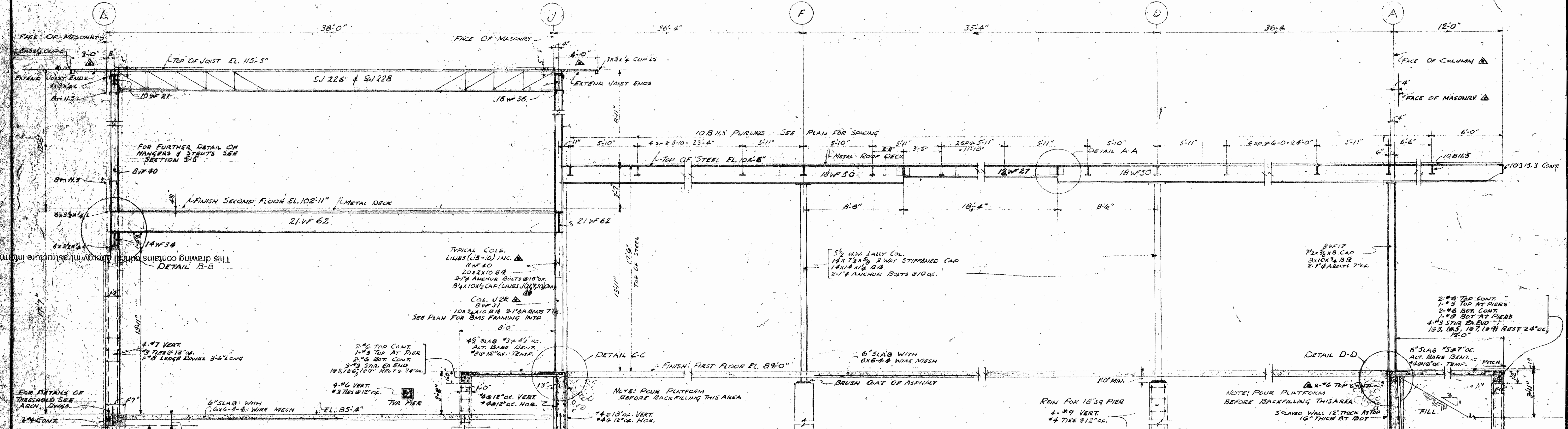
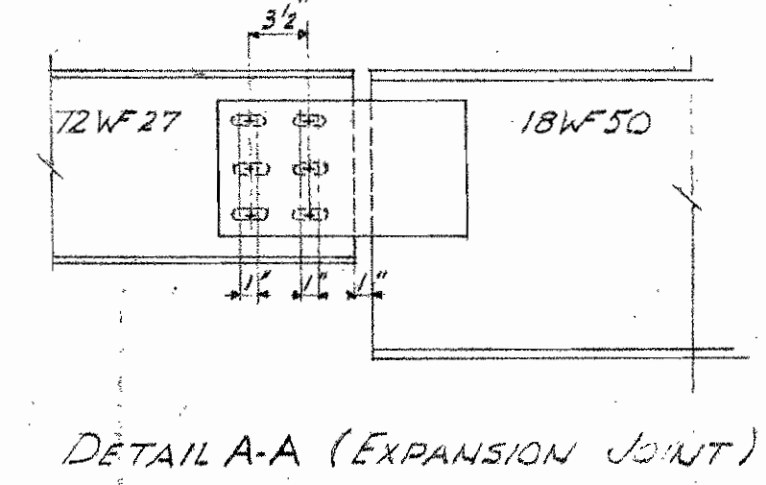
WORK: STRUCT. BUILDING & REPAIR, GARAGE, CENTRAL MAINE POWER COMPANY, PORTLAND, MAINE

DRAWING: WALL SECTIONS #2

DESIGNED BY: ALONZO J. HARRIS, INC.

PREPARED BY: STEVENS & SAUNDERS

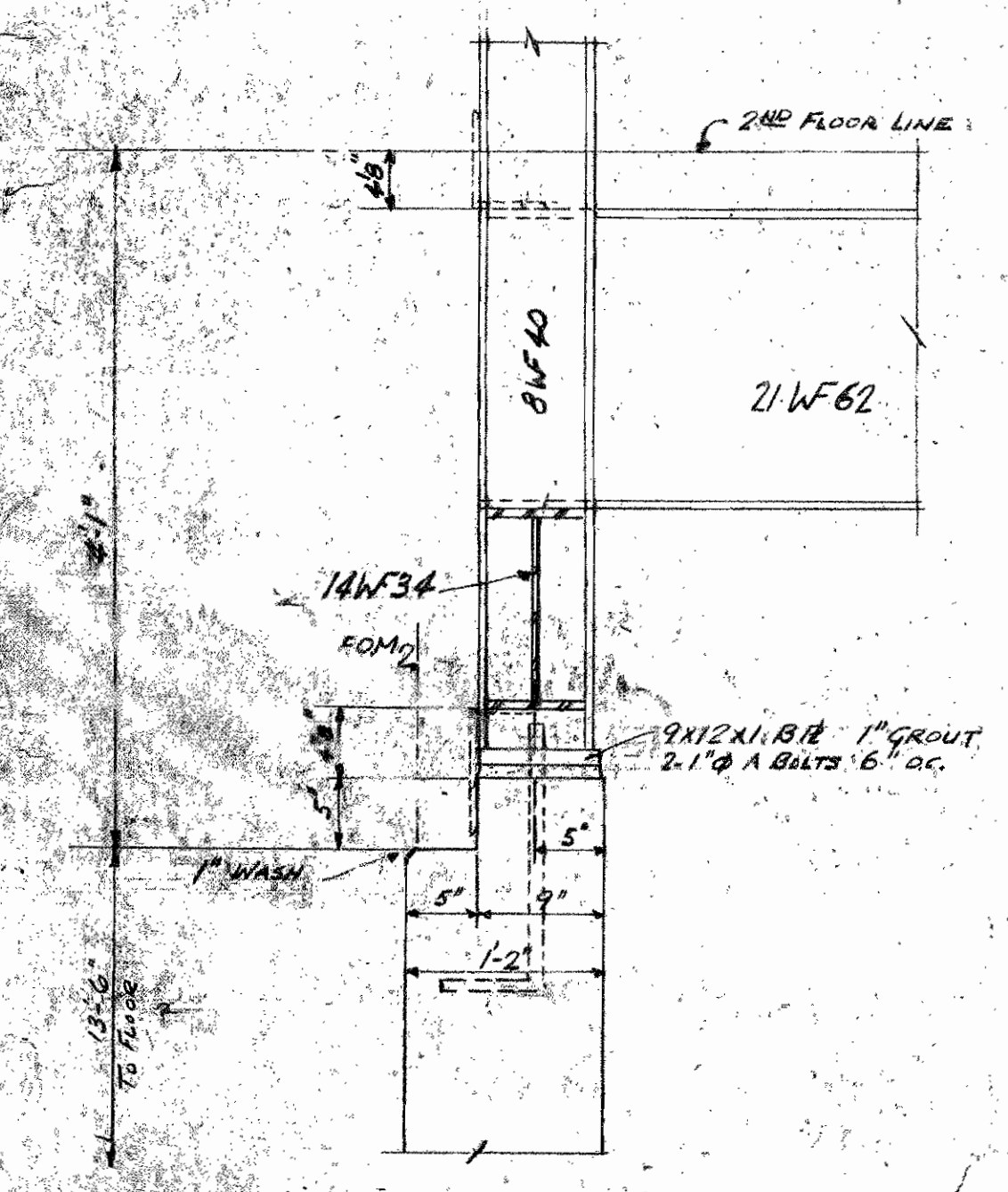
NO.	DATE	REVISION DESCRIPTION
1	7-14-54	REVISED TO CONTRACT MEMORANDUM
2	Aug 2, 54	GENERAL REVISION



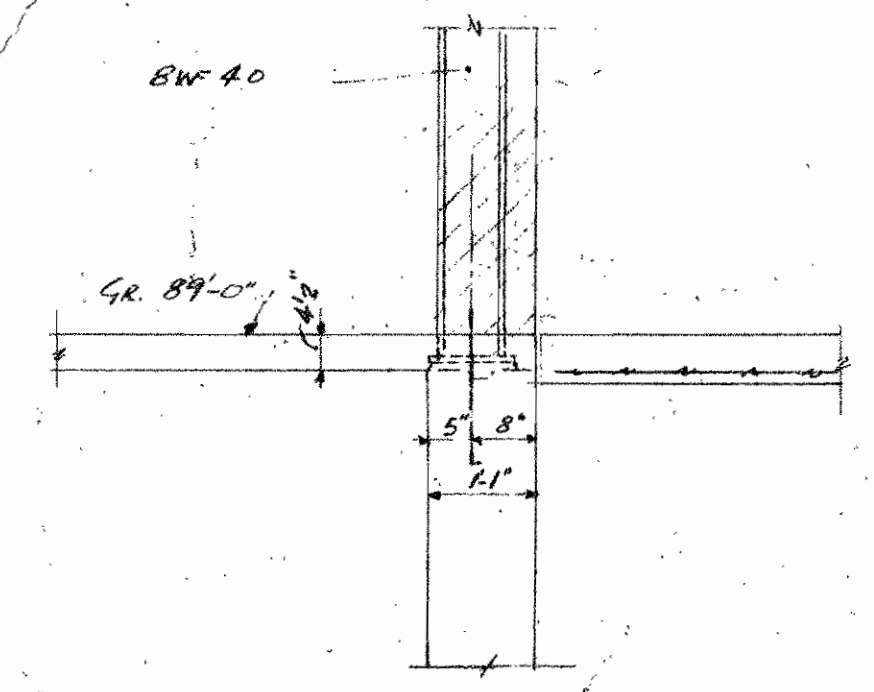
This drawing contains confidential energy infrastructure information (EII) do not disseminate without redaction

S-14

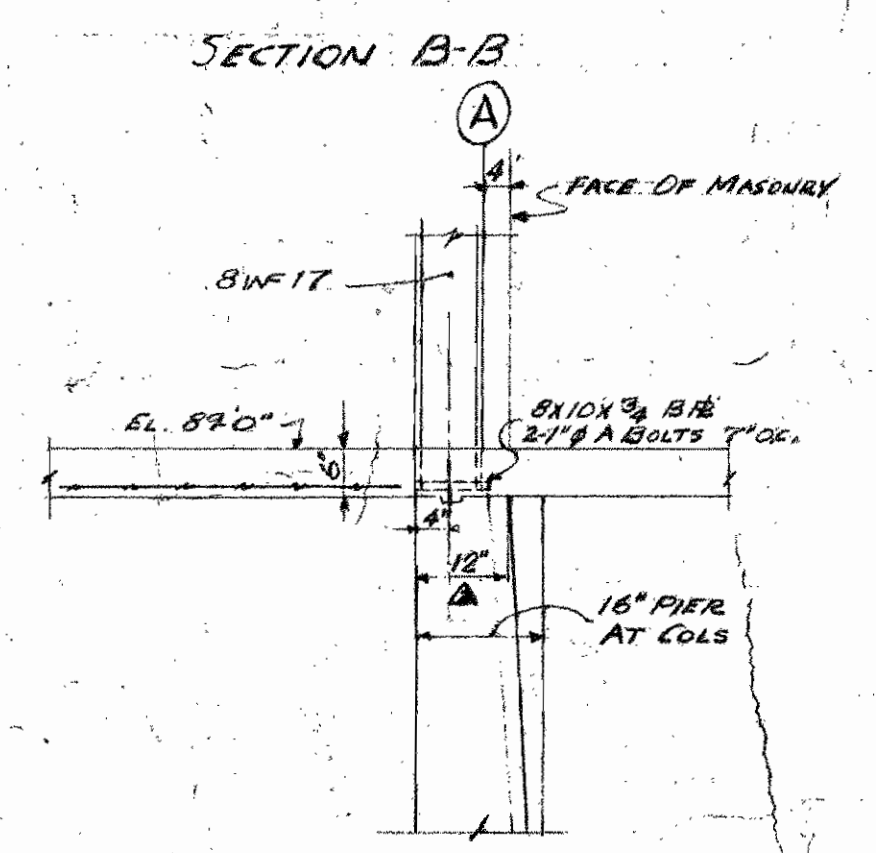
51-367



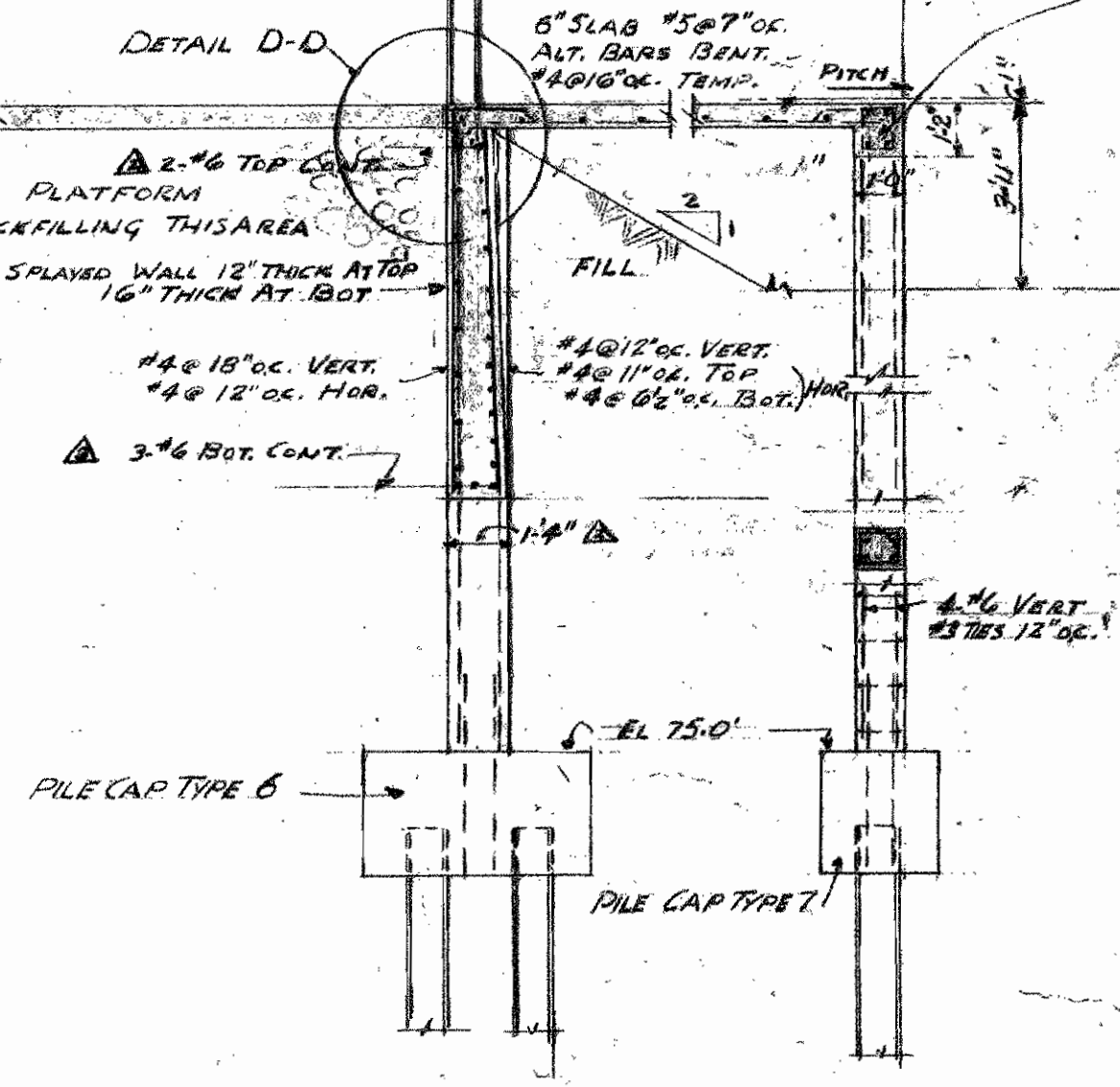
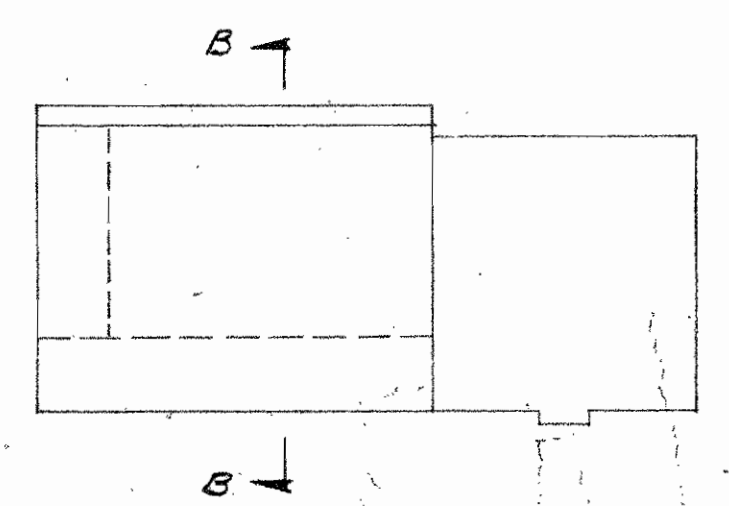
DETAIL B-B (PIER)
SCALE 1"=1'-0"



DETAIL C-C



SECTION B-B



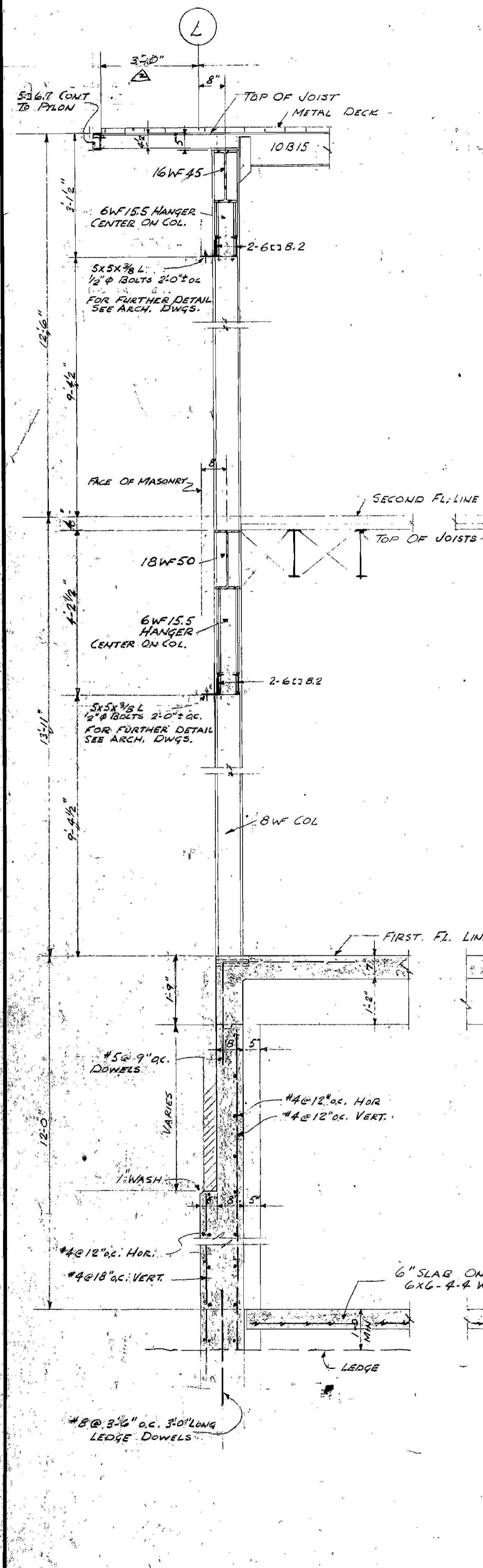
DETAIL D-D

STEVENS & SAUNDERS
PORTLAND, MAINE
ASSOCIATE ARCHITECTS

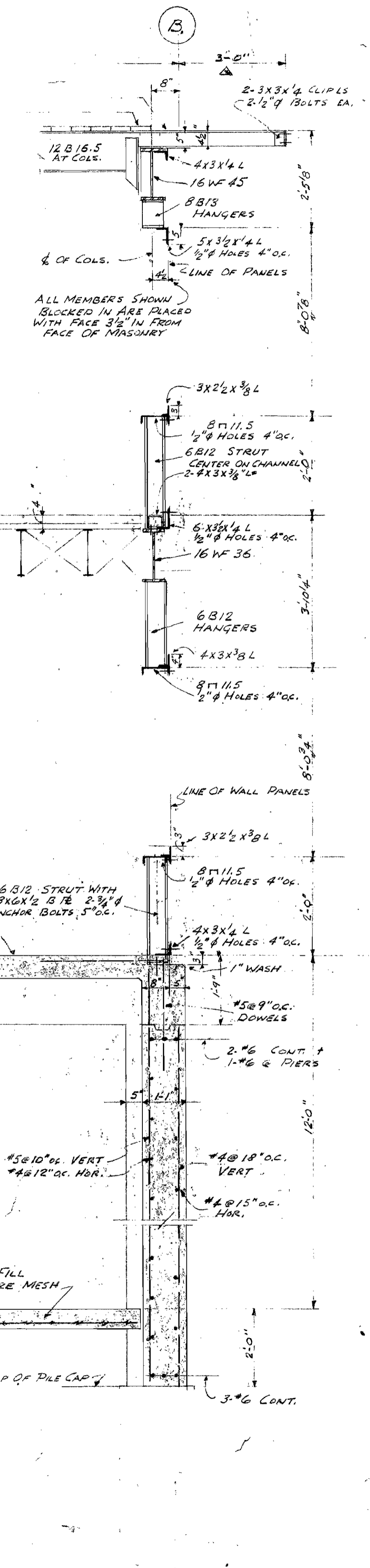
WORK SERVICE BUILDING REPAIR GARAGE		
CENTRAL MAINE POWER COMPANY		
PORTLAND MAINE		
DRAWING SECTION B-B		
SCALE 1/4"=1'-0"	ALONZO J. HARRIMAN INC. ARCHITECTS-ENGINEERS AUBURN, MAINE	DRAWING NO. 5-14
DATE MAY 12, 1954		SCALE 3/4"=1'-0"

5-7/8/99

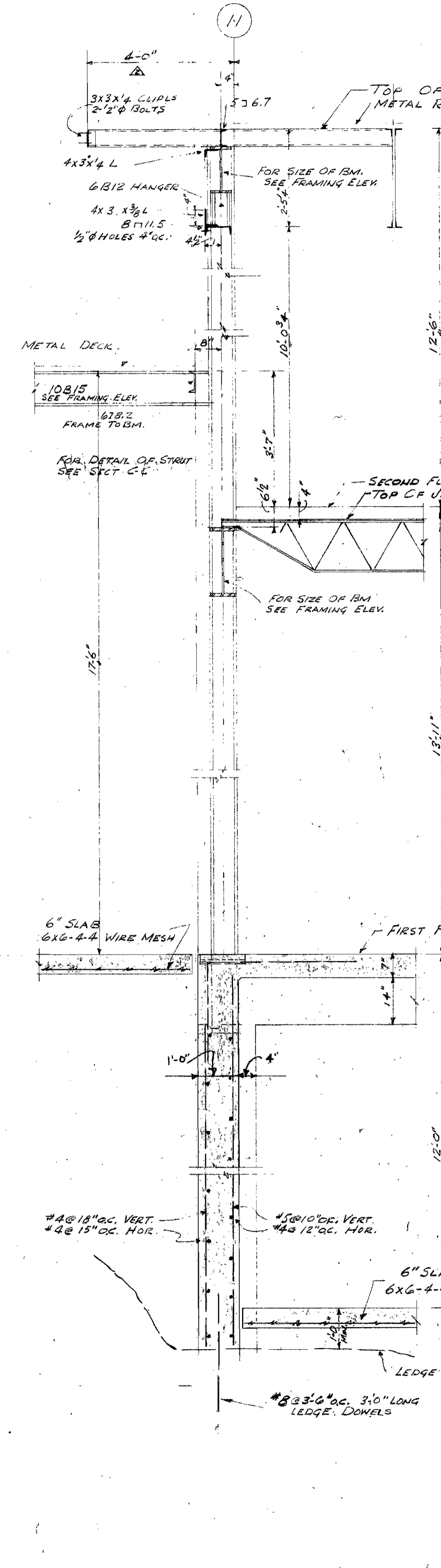
NO.	DATE	REVISION DESCRIPTION
1	7-14-54	REVISED TO CONTRACT MEMORANDUM
2	8-4-54	REVISED CLERK DIMENSIONS
3	AUG 23 54	REVISED DIMENSIONS



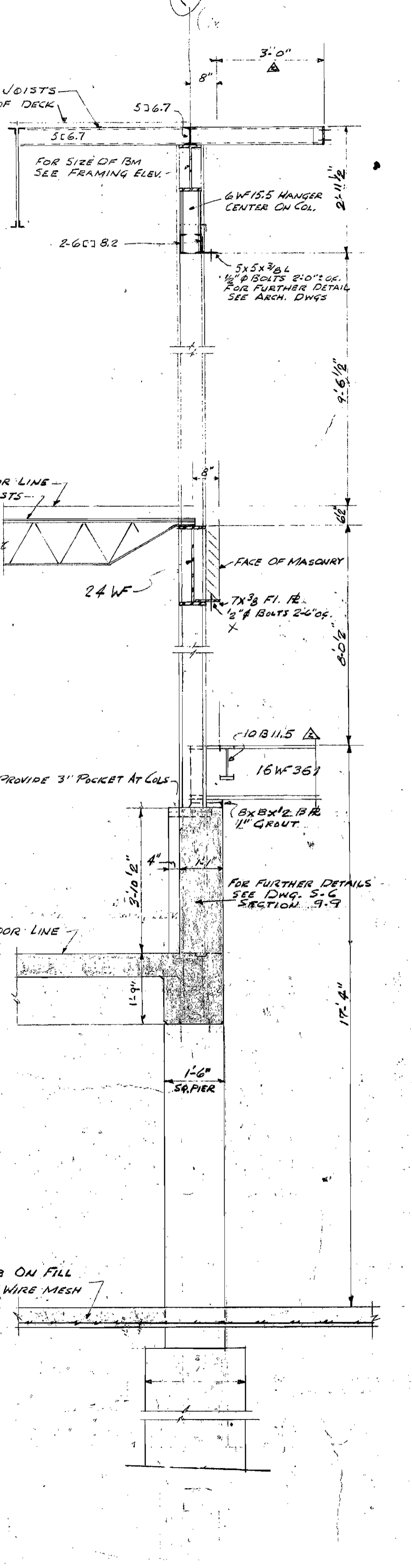
SECTION 1-1



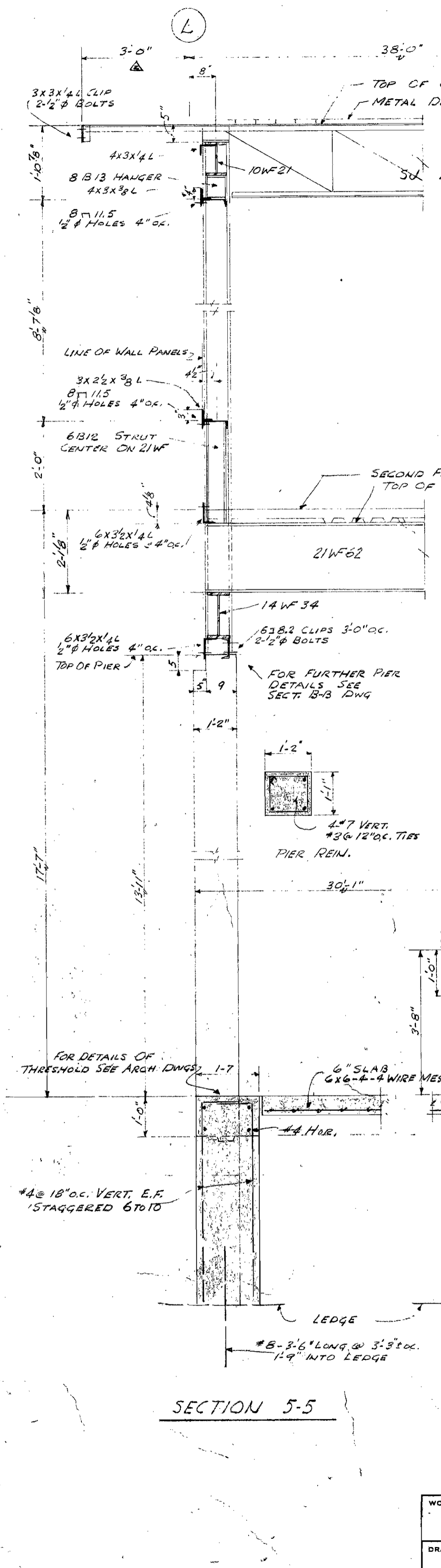
SECTION 2-2



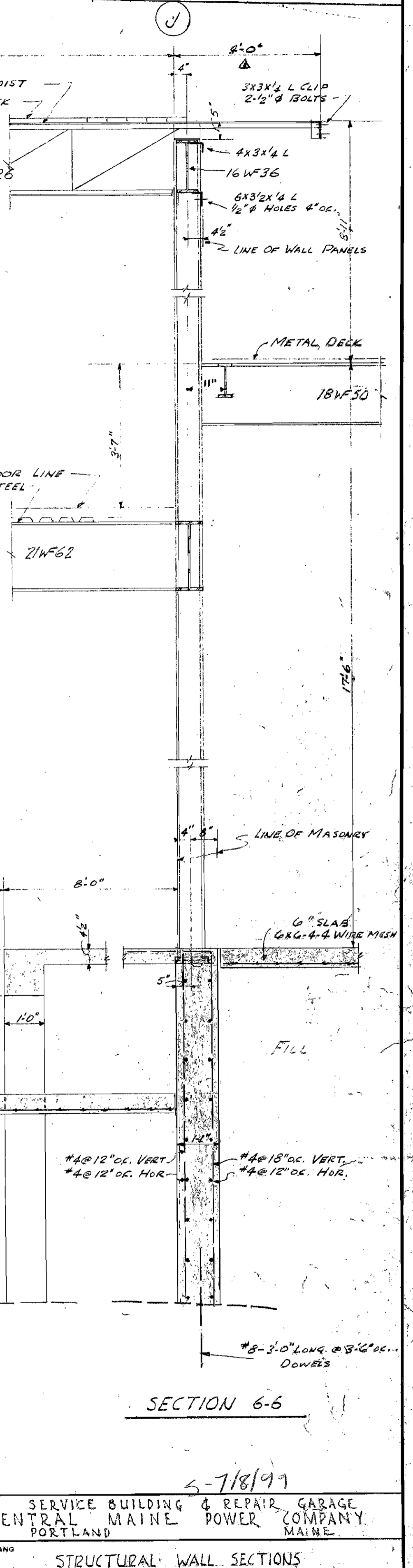
SECTION 3-3



SECTION 4-4



SECTION 5-5



SECTION 6-6

STEVENS & SAUNDERS
PORTLAND, MAINE
ASSOCIATE ARCHITECTS

WORK	SERVICE BUILDING & REPAIR GARAGE CENTRAL MAINE POWER COMPANY PORTLAND MAINE	
DRAWING	STRUCTURAL WALL SECTIONS	
SCALE	1/2" = 1'-0"	DRAWING NO.
DATE	MAY 13, 1954	5-16
	ALONZO J. HARRIMAN INC. ARCHITECTS-ENGINEERS AUBURN, MAINE	54-B

51-361