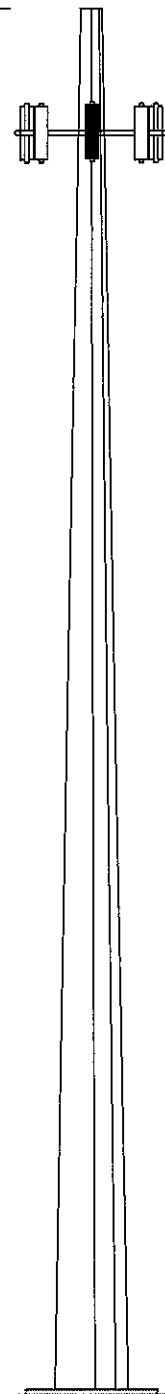


145' TOP OF TOWER'

132' G ANTENNAS 1,2  
US CELLULAR

PROPOSED G ANTENNAS 1  
US CELLULAR 132'



SHEET NO.	DESCRIPTION	DATE	REV. NO.
C-1	TOWER ELEVATION	4/2/12	0
C-2	COMPOUND DETAIL	4/2/12	0
C-3	HATCH PLATE, ICE BRIDGE DETAILS AND COAX LAYOUT	4/2/12	0
C-4	ANTENNA MOUNT DETAILS	4/2/12	0
C-5	PROPOSED KMW BIAS TEE DETAIL	4/2/12	0
E-1	GROUNDING DETAILS	4/2/12	0

SHEET INDEX

ANTENNA	MODEL #	MOUNTING HEIGHT	COAX SIZE
1	(2)BSA-185065-10CF-2	132'±	1-5/8"
2	(4) FV65-17-04DP	132'±	1-5/8"

EXISTING ANTENNA TABLE

NOTE: CONTRACTOR PLEASE REFER TO ANTENNA MAPPING AND STRUCTURAL ANALYSIS PERFORMED BY ALL POINTS TECHNOLOGY CORPORATION, P.C. DATED 3-20-12 FOR DETAILS.



ORIGINAL SIZE IN INCHES

PLANS PREPARED FOR:



PROJECT INFORMATION

853334 - CANCO ROAD  
52 CANCO ROAD  
PORTLAND, ME 04103  
(CUMBERLAND COUNTY)

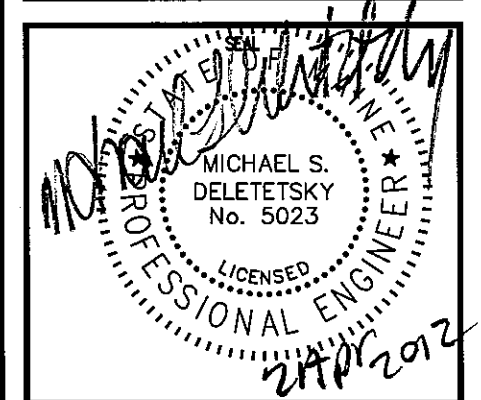
PLANS PREPARED BY:



511 Congress St, Portland ME 04101  
P: (207) 828-2623 F: (207) 774-1246 www.amec.com

PROJECT COORDINATION & MANAGEMENT:

KJK Wireless, LLC  
127 Ridge Road, Nashua, NH 03062  
Phone: (603) 888-8974



REV	DATE	ISSUED FOR
1	4/02/12	ISSUED FOR CONSTRUCTION

PROJECT NO: 128088

DRAWN BY: CBM

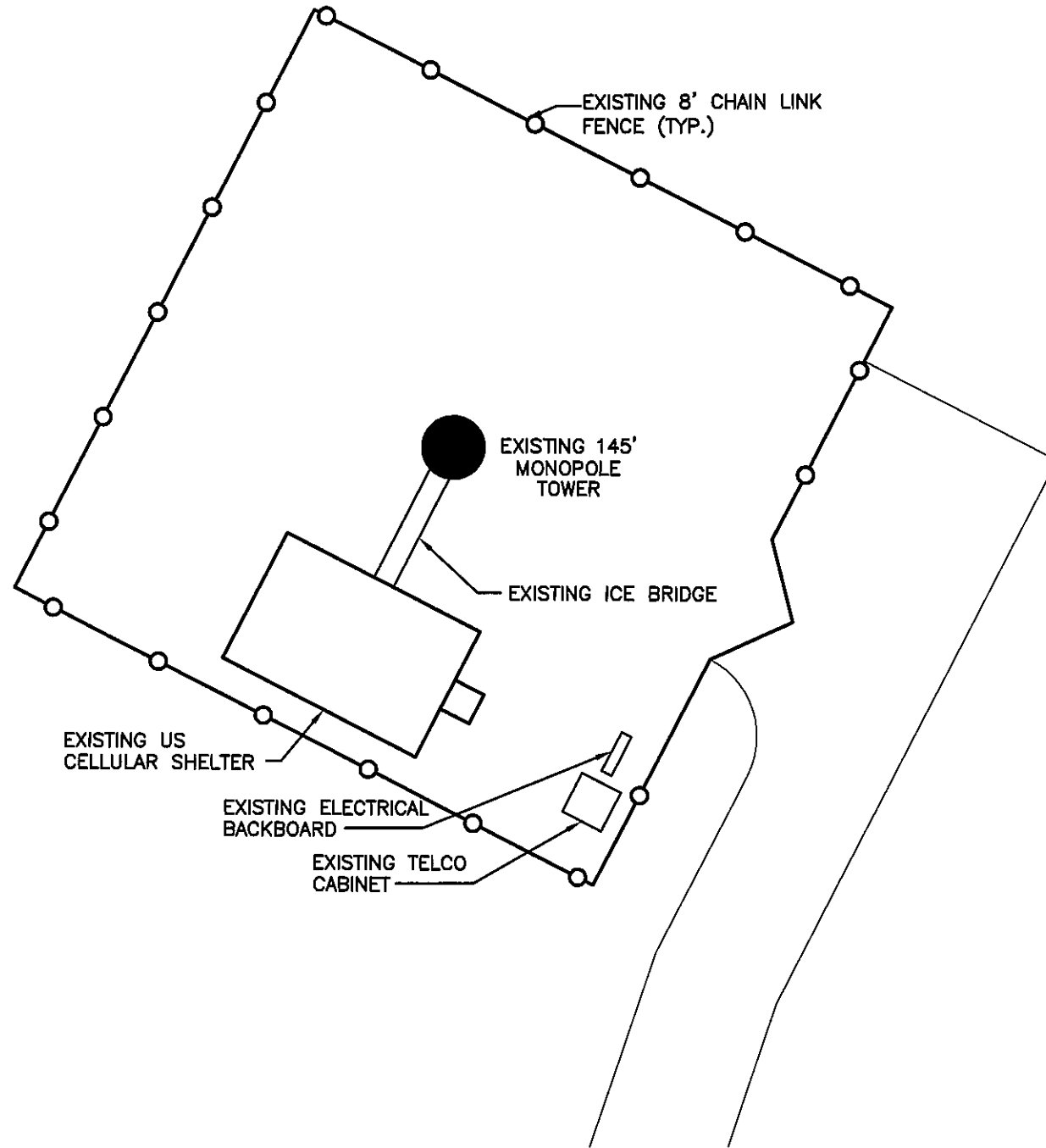
RELEASED BY: MSD

SHEET TITLE  
**TOWER ELEVATION**

SHEET NUMBER <b>C-1</b>	REVISION: <b>0</b>
----------------------------	-----------------------

**TOWER ELEVATION**

SCALE: 1" = 20'



PLANS PREPARED FOR:

**U S Cellular**  
*We connect with you*  
 10 Corporate Drive, Suite 210, Bedford, NH 03110

PROJECT INFORMATION

**853334 - CANCO ROAD**  
 52 CANCO ROAD  
 PORTLAND, ME 04103  
 (CUMBERLAND COUNTY)

PLANS PREPARED BY:

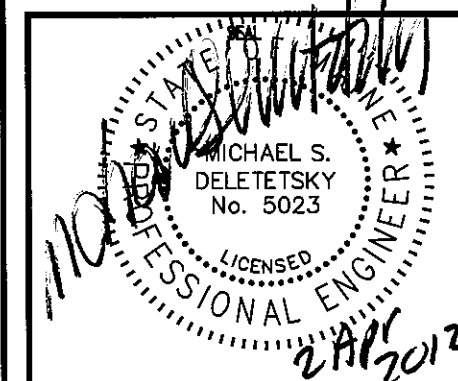
**amec**

511 Congress St, Portland ME 04101  
 P: (207) 828-2623 F: (207) 774-1246 www.amec.com

PROJECT COORDINATION & MANAGEMENT:

**KJK Wireless, LLC**

127 Ridge Road, Nashua, NH 03062  
 Phone: (603) 888-8974



REV	DATE	ISSUED FOR
1	4/02/12	ISSUED FOR CONSTRUCTION

PROJECT NO: 128088

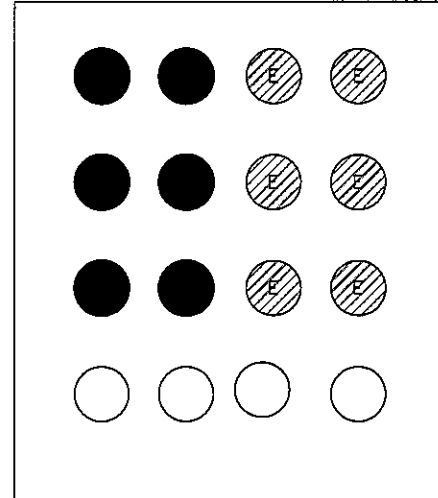
DRAWN BY: CBM

RELEASED BY: MSD


SHEET TITLE  
**COMPOUND  
 DETAIL**

SHEET NUMBER <b>C-2</b>	REVISION: <b>0</b>
----------------------------	-----------------------

**COMPOUND DETAIL**  
 SCALE: 1" = 18'



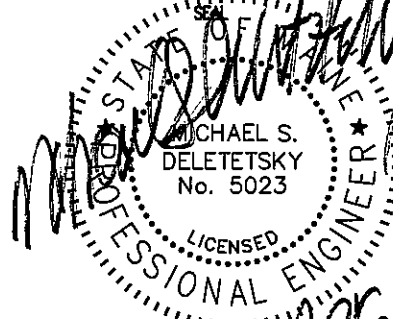
LEGEND	
EMPTY PORT	○
EXISTING COAX TO REMAIN	⊘
EXISTING COAX TO BE REMOVED	⊗
PROPOSED COAX	●
EXISTING EWG	⊙
PROPOSED EWG	⦿

PLANS PREPARED FOR:  
  
 10 Corporate Drive, Suite 210, Bedford, NH 03110

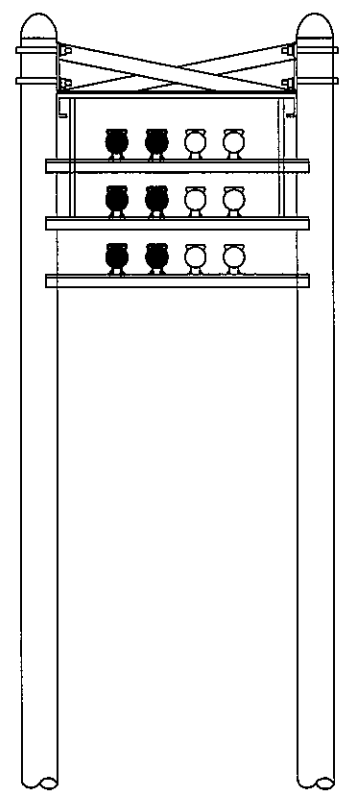
PROJECT INFORMATION  
**853334 - CANCO ROAD**  
 52 CANCO ROAD  
 PORTLAND, ME 04103  
 (CUMBERLAND COUNTY)

PLANS PREPARED BY:  
  
 511 Congress St, Portland ME 04101  
 P: (207) 828-2623 F: (207) 774-1246 www.amec.com

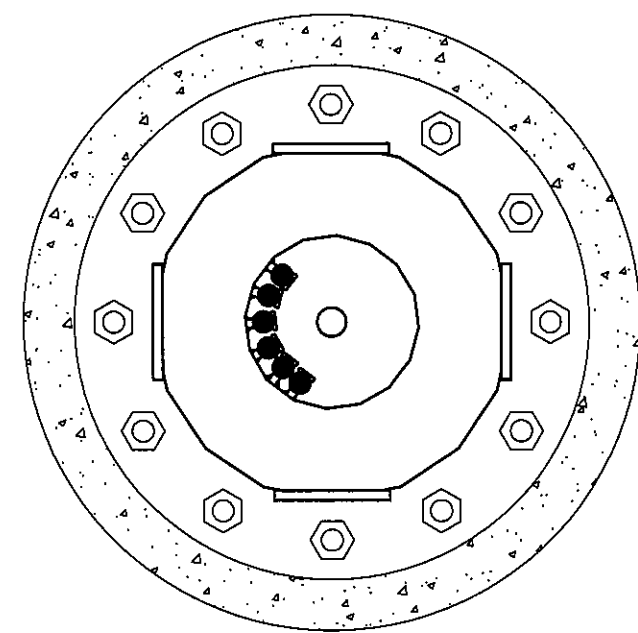
PROJECT COORDINATION & MANAGEMENT:  
**KJK Wireless, LLC**  
 127 Ridge Road, Nashua, NH 03062  
 Phone: (603) 888-8974

STATE OF NEW HAMPSHIRE  
  
 MICHAEL S. DELETETSKY  
 No. 5023  
 LICENSED PROFESSIONAL ENGINEER  
 2 APR 2012

**HATCH PLATE**  
SCALE: N.T.S.



**ICE BRIDGE CONFIGURATION**  
SCALE: N.T.S.



**PROPOSED COAX LAYOUT**  
SCALE: N.T.S.

REV	DATE	ISSUED FOR
1	4/02/12	ISSUED FOR CONSTRUCTION

PROJECT NO: 128088

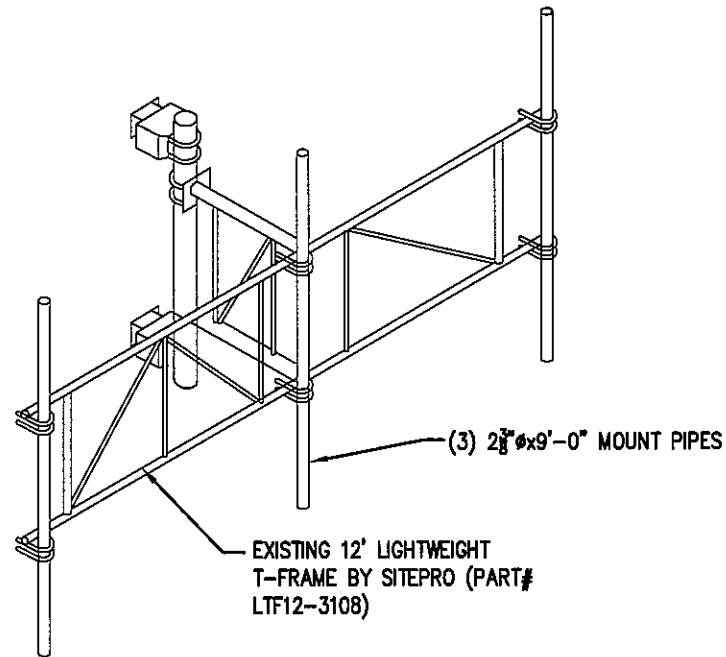
DRAWN BY: CBM

RELEASED BY: MSD

SHEET TITLE  
**HATCH PLATE, ICE BRIDGE DETAIL AND COAX LAYOUT**

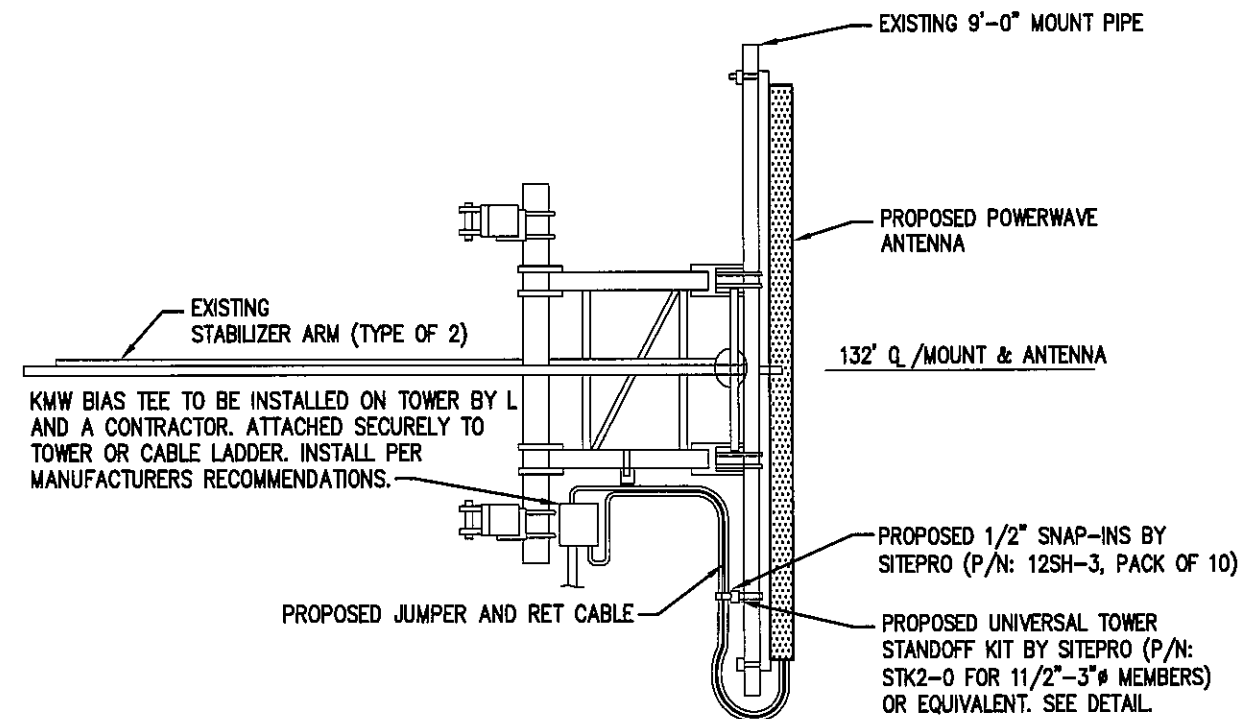
SHEET NUMBER <b>C-3</b>	REVISION: <b>0</b>
----------------------------	-----------------------

NOTE:  
MOUNT INCLUDES ATTACHMENT HARDWARE,  
TWO STIFF ARMS AND (3) MOUNTING PIPES  
AND ATTACHED TO 1 1/2" TO 4 1/2" ROUND  
LEGS. ADAPTOR KIT NEEDED FOR LARGER  
LEGS.



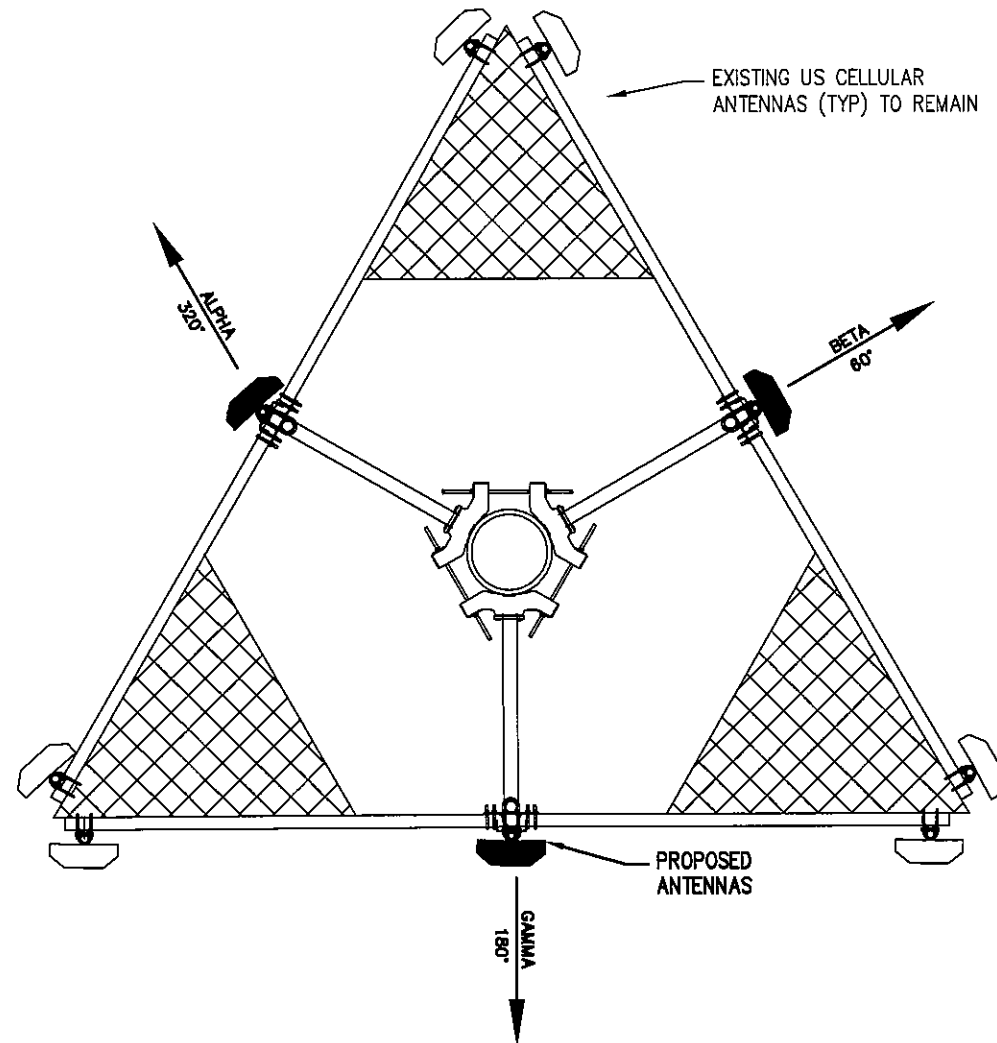
**EXISTING SECTOR MOUNT**

SCALE: N.T.S.



**SECTOR MOUNT PROFILE**

SCALE: N.T.S.



**PROPOSED ANTENNA/COAX SCHEDULE**

SECTOR	TECHNOLOGY	MANUFACTURER (MODEL #)	MOUNTING HEIGHT	AZIMUTH	COAX SIZE	KMW BIAS TEE	COAX LENGTH	MECH. D-TILT
ALPHA	700 MHZ	POWERWAVE P45-17-XL-R	132'-0"	320°	(2) 1 5/8"	1	170±	0°
BETA	700 MHZ	POWERWAVE P45-17-XL-R	132'-0"	60°	(2) 1 5/8"	1	170±	0°
GAMMA	700 MHZ	POWERWAVE P45-17-XL-R	132'-0"	180°	(2) 1 5/8"	1	170±	5°

**PROPOSED CONFIGURATION • 132 FT**

SCALE: N.T.S.

PLANS PREPARED FOR:



PROJECT INFORMATION

**853334 - CANCO ROAD**  
52 CANCO ROAD  
PORTLAND, ME 04103  
(CUMBERLAND COUNTY)

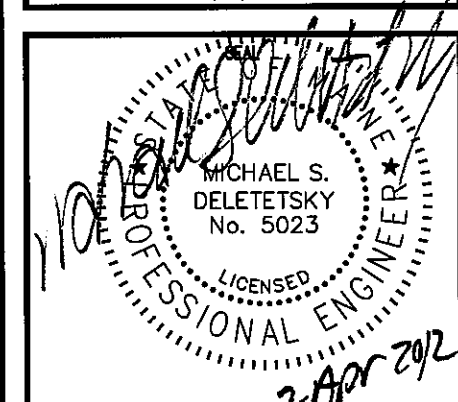
PLANS PREPARED BY:



511 Congress St, Portland, ME 04101  
P: (207) 828-2623 F: (207) 774-1246 www.amec.com

PROJECT COORDINATION & MANAGEMENT:

**KJK Wireless, LLC**  
127 Ridge Road, Nashua, NH 03062  
Phone: (603) 888-8974



REV	DATE	ISSUED FOR
1	4/02/12	ISSUED FOR CONSTRUCTION

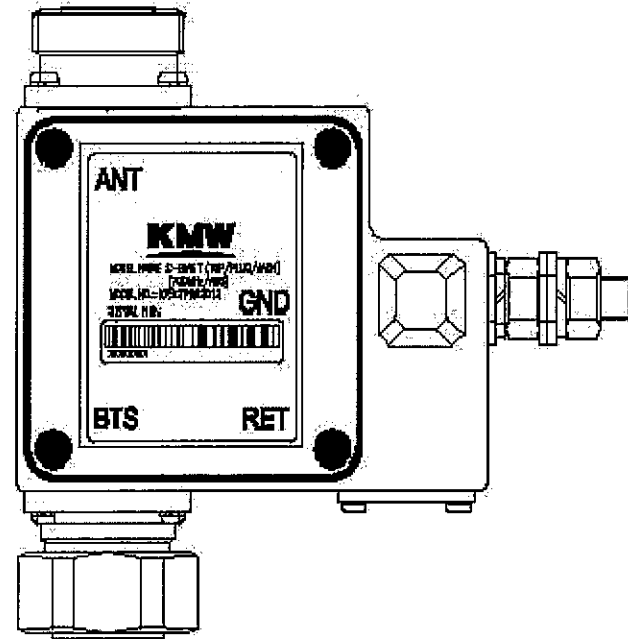
PROJECT NO: 128088

DRAWN BY: CBM

RELEASED BY: MSD

SHEET TITLE  
**ANTENNA MOUNTING DETAILS**

SHEET NUMBER: **C-4** REVISION: **0**



NOTE:  
 KMW BIAS TEE TO BE INSTALLED ON TOWER BY L AND A CONTRACTOR. ATTACHED SECURELY TO TOWER OR CABLE LADDER. INSTALL PER MANUFACTURERS RECOMMENDATIONS.

**PROPOSED KMW BIAS TEE**

SCALE: N.T.S.

PLANS PREPARED FOR:



PROJECT INFORMATION

**853334 - CANCO ROAD**  
 52 CANCO ROAD  
 PORTLAND, ME 04103  
 (CUMBERLAND COUNTY)

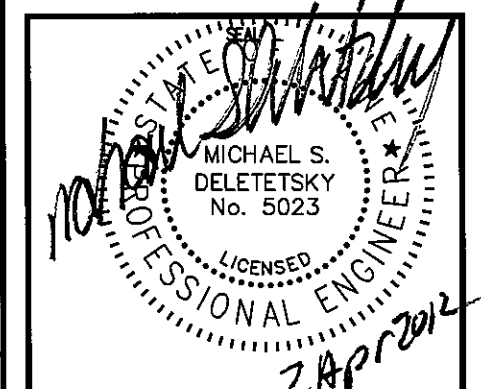
PLANS PREPARED BY:



511 Congress St, Portland ME 04101  
 P: (207) 828-2623 F: (207) 774-1246 www.amec.com

PROJECT COORDINATION & MANAGEMENT:

**KJK Wireless, LLC**  
 127 Ridge Road, Nashua, NH 03062  
 Phone: (603) 888-8974



REV	DATE	ISSUED FOR
1	4/02/12	ISSUED FOR CONSTRUCTION

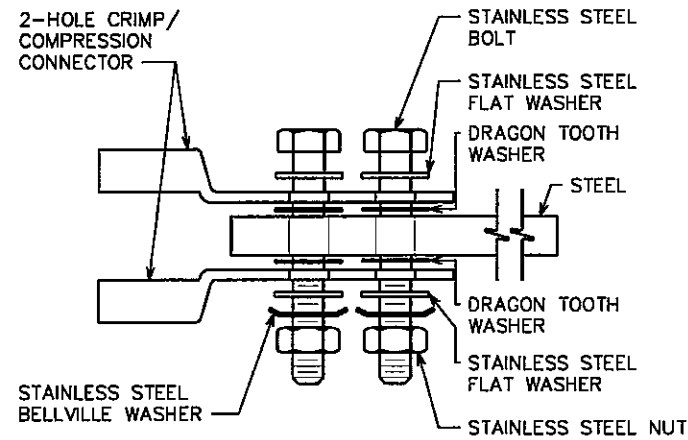
PROJECT NO: 128088

DRAWN BY: CBM

RELEASED BY: MSD

SHEET TITLE  
**PROPOSED KMW  
 BIAS TEE DETAIL**

SHEET NUMBER <b>C-5</b>	REVISION: <b>0</b>
----------------------------	-----------------------

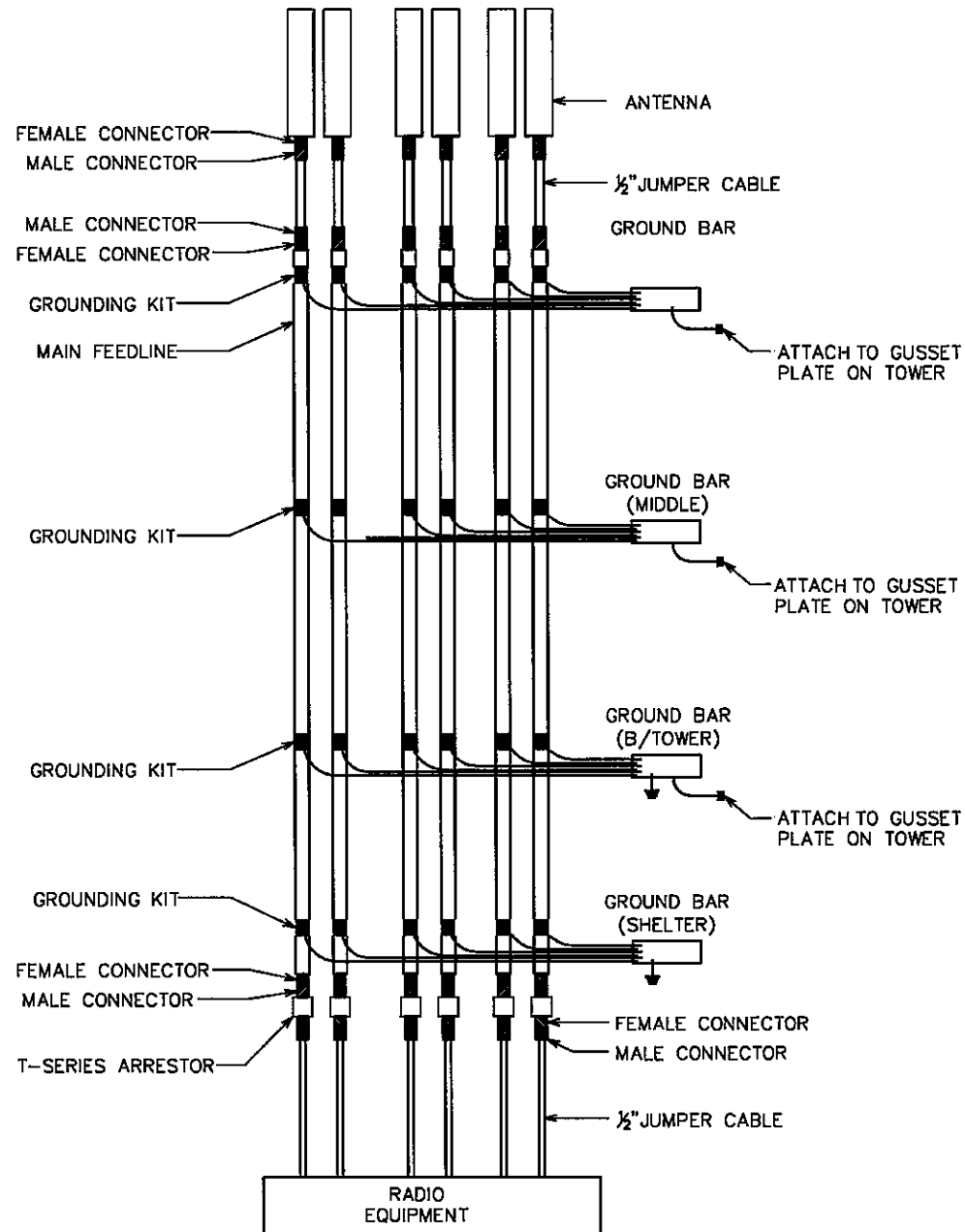


**NOTES:**

1. MINIMUM BEND RADIUS OF #2 SOLID CONDUCTOR IS 12"
2. ALL GROUND BARS SHALL BE INSTALLED WITH TAMPER RESISTANT MOUNTING HARDWARE

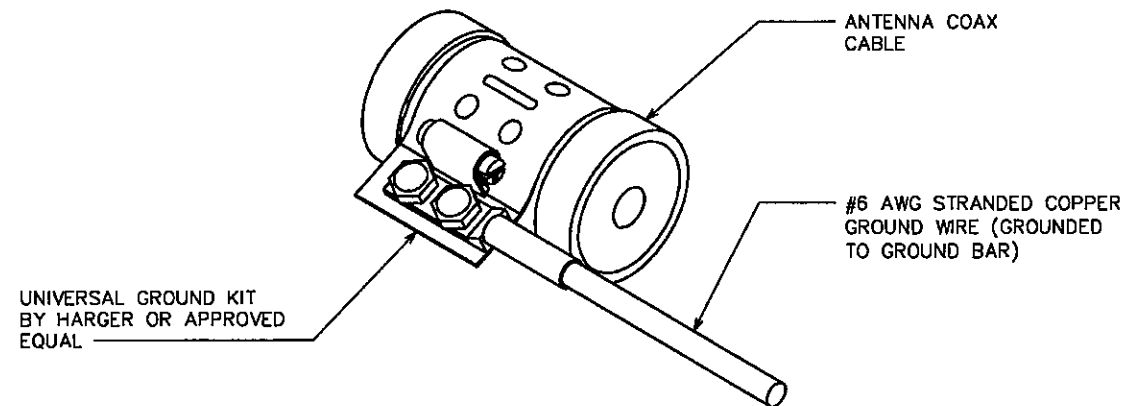
**NOTE:**

CONTRACTOR SHALL USE THE EXISTING GROUND BARS ALREADY INSTALLED ON TOWER AND SHELTER UNLESS OTHERWISE NOTED.



**NOTES:**

1. DO NOT INSTALL COAX GROUND KIT AT A BEND.
2. CONTRACTOR TO WEATHERPROOF COAX GROUND.



**GROUNDING DETAILS**

SCALE: N.T.S.

**COAX ROUTING DETAIL**

SCALE: N.T.S.

PLANS PREPARED FOR:



PROJECT INFORMATION

**853334 - CANCO ROAD**  
52 CANCO ROAD  
PORTLAND, ME 04103  
(CUMBERLAND COUNTY)

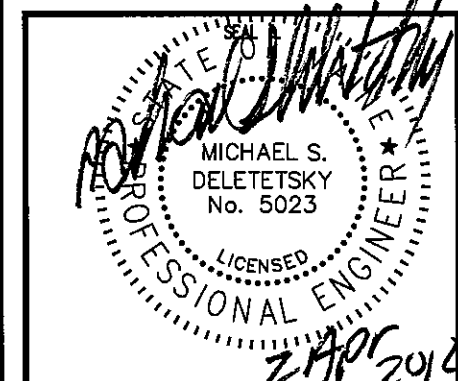
PLANS PREPARED BY:



343 State Street, Portland, ME 04106  
P: (207) 826-2523 F: (207) 774-1246 www.amec.com

PROJECT COORDINATION & MANAGEMENT:

**KJK Wireless, LLC**  
127 Ridge Road, Nashua, NH 03062  
Phone: (603) 888-8974



REV	DATE	ISSUED FOR
1	4/02/12	ISSUED FOR CONSTRUCTION

PROJECT NO: 128088

DRAWN BY: CBM

RELEASED BY: MSD

SHEET TITLE  
**GROUNDING DETAILS**

SHEET NUMBER <b>E-1</b>	REVISION: <b>0</b>
----------------------------	-----------------------