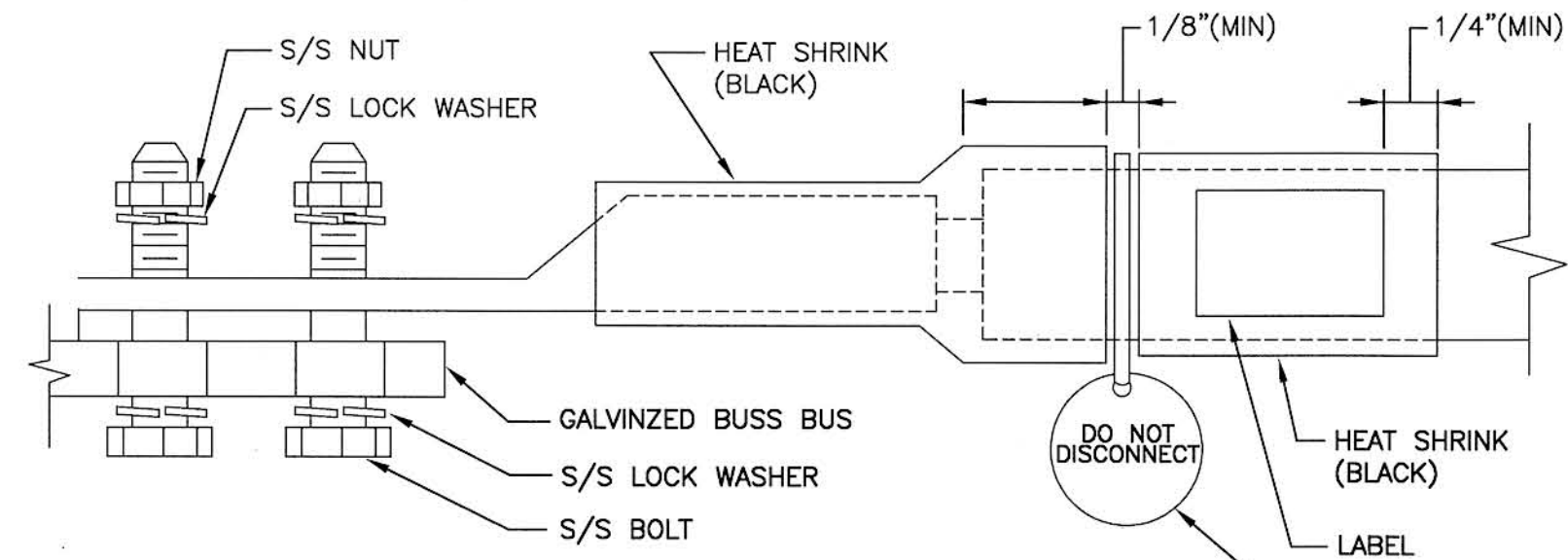


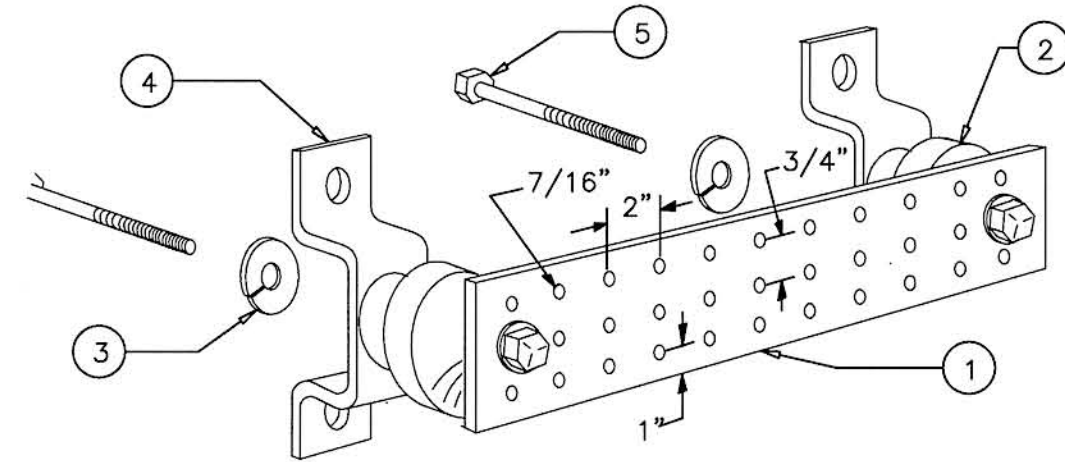
TYPICAL POST GROUNDING
SCALE: N.T.S.



GROUND LUG DETAIL
SCALE: N.T.S.

WIRE SIZE	BURNDY LUG	BOLT SIZE
#6 AWG	YA6C-2TC3B	3/8" - 16NC S 3 BOL
#2 AWG SOLID	YA3C-2TC3B	3/8" - 16NC S 3 BOL
#2 AWG STRANDED	YA2C-2TC3B	3/8" - 16NC S 3 BOL
#2/0 AWG	YA26-2TC3B	3/8" - 16NC S 3 BOL
#4/0 AWG	YA28-2N	1/2" - 16NC S 3 BOL

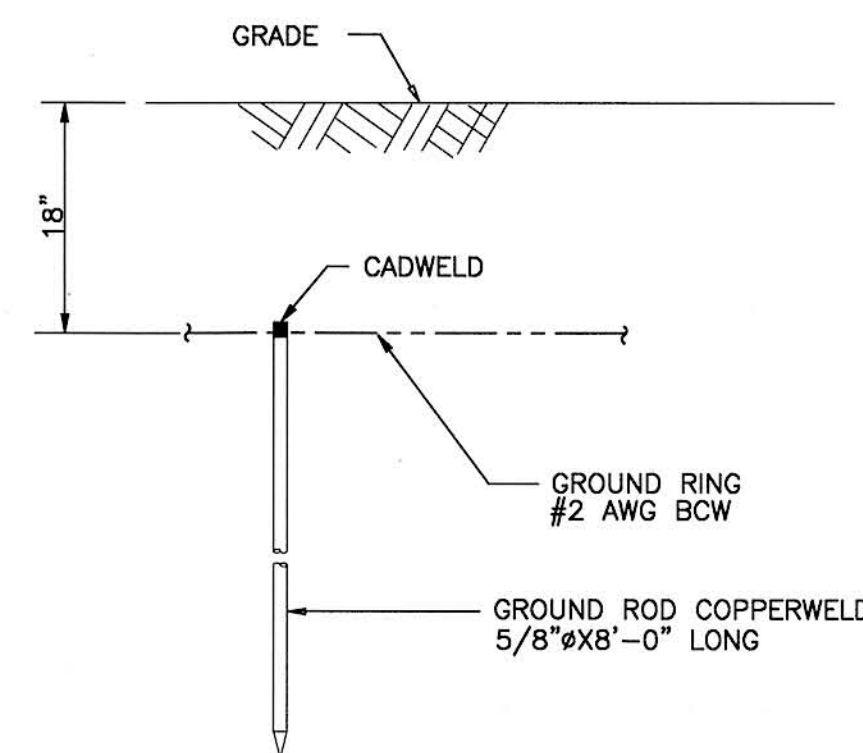
- NOTES:
- ALL HARDWARE 18-8 STAINLESS STEEL INCLUDING LOCK WASHERS, COAT ALL SURFACES WITH KOPR-SHIELD BEFORE MATING.
 - FOR GROUND BOND TO STEEL ONLY: INSERT A DRAGON TOOTH WASHER BETWEEN LUG AND STEEL, COAT ALL SURFACES WITH KOPR-SHIELD.
 - PROVIDE "DO NOT DISCONNECT" TAG AS REQUIRED BY ITEM 2.7 OF NORTHCOAST ENGINEERING LETTER 01.



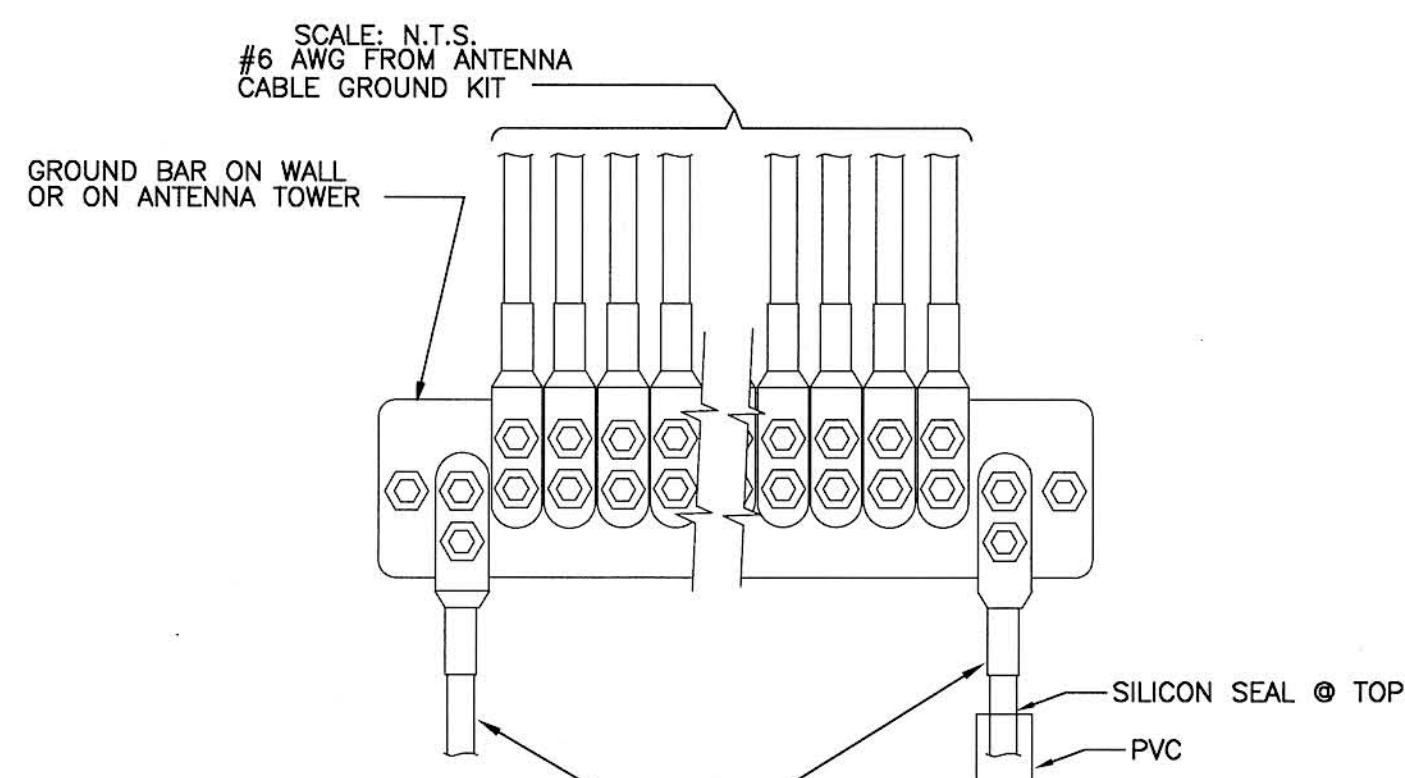
LEGEND

- 1- GALVANIZED BAR, 1/4" X 4" X 20", HOLE CENTERS TO MATCH NEMA DOUBLE LUG CONFIGURATION
- 2- INSULATORS.
- 3- 5/8" LOCKWASHERS.
- 4- WALL MOUNTING BRACKET
- 5- 5/8-11 X 1" H.H.C.S.BOLTS

GROUNDING- STANDARD DETAIL
GROUND BAR
SCALE: N.T.S.

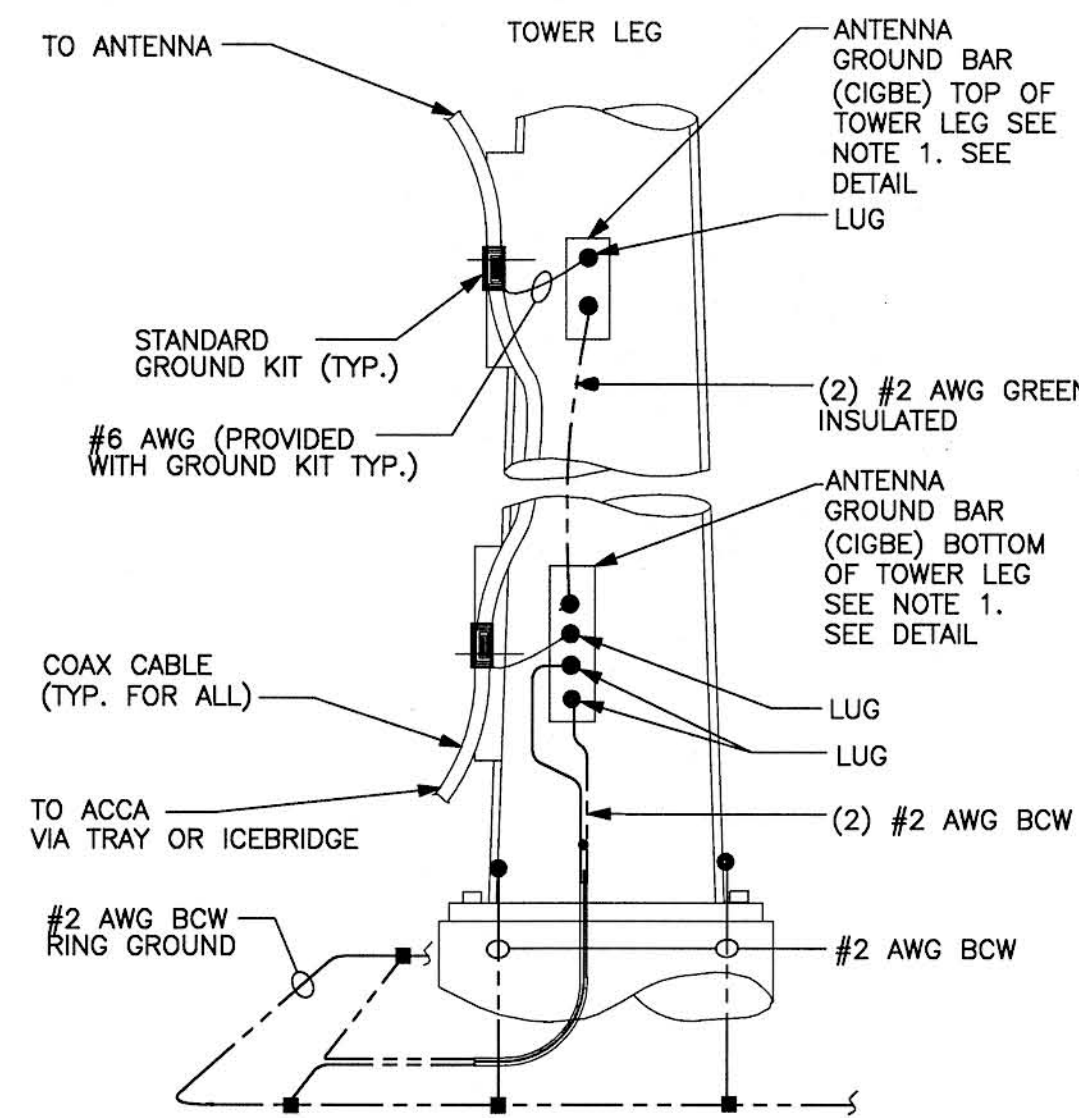


GROUNDING- STANDARD DETAIL
GROUND ROD
SCALE: N.T.S.



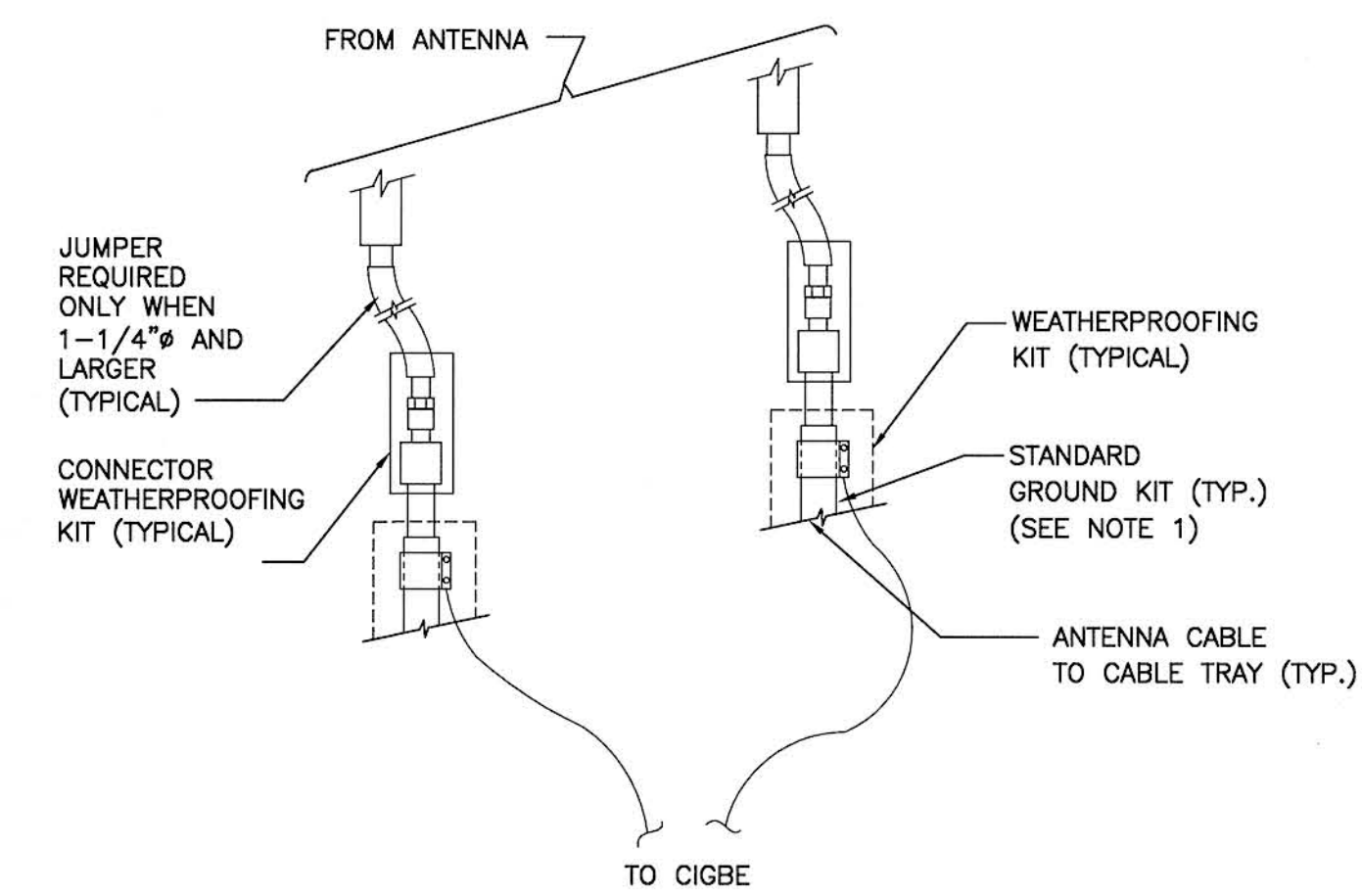
- NOTE:
- CONTRACTOR TO UTILIZE KOPR-SHIELD (THOMAS & BETTS) ON ALL LUG CONNECTIONS.

GROUNDING- STANDARD DETAIL INSTALLATION
OF GROUND WIRE TO GROUND BAR
SCALE: N.T.S.



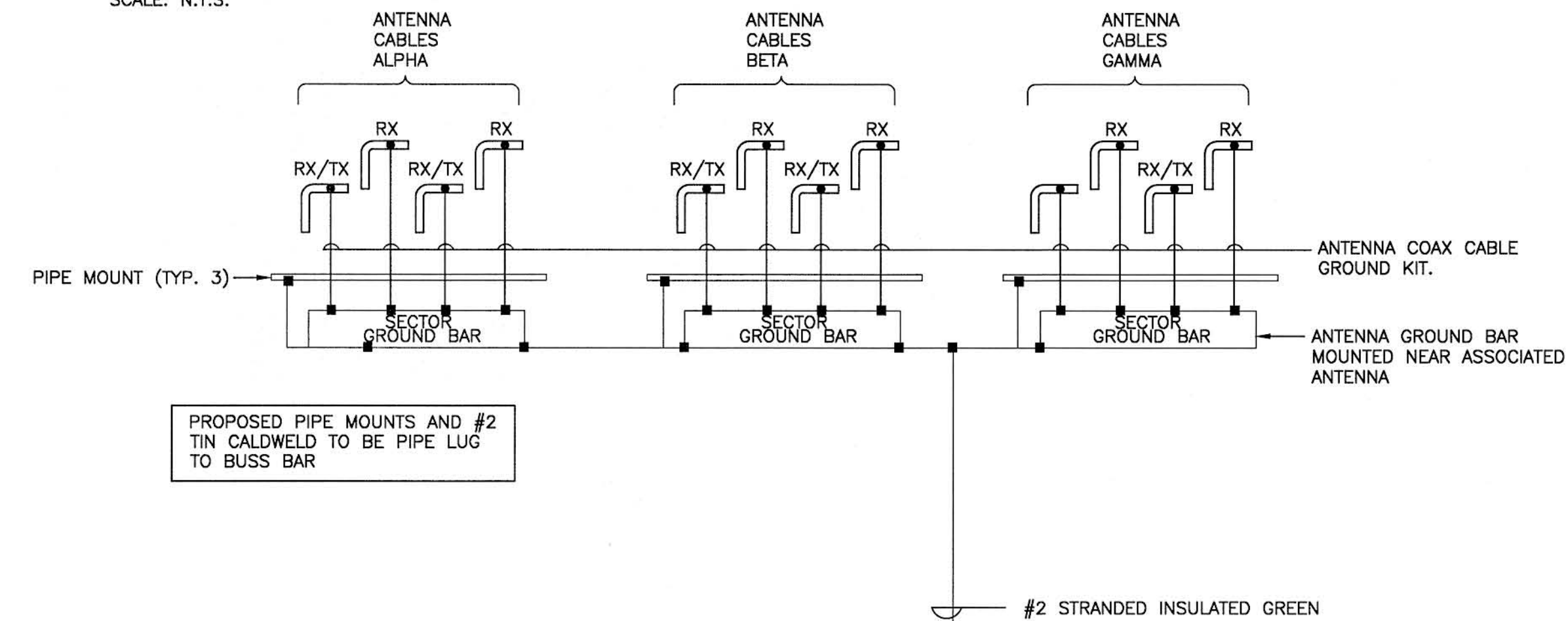
- NOTE:
- NUMBER OF GROUND BARS MAY VARY DEPENDING ON THE TYPE OF TOWER: ANTENNA LOCATION AND CONNECTION ANTENNA LOCATION AND CONNECTION ORIENTATION, PROVIDE AS REQUIRED.
 - A SEPARATE GROUND BAR TO BE USED FOR GPS ANTENNA IF REQUIRED.

ANTENNA CABLE
GROUNDING LUG DETAIL
SCALE: N.T.S.

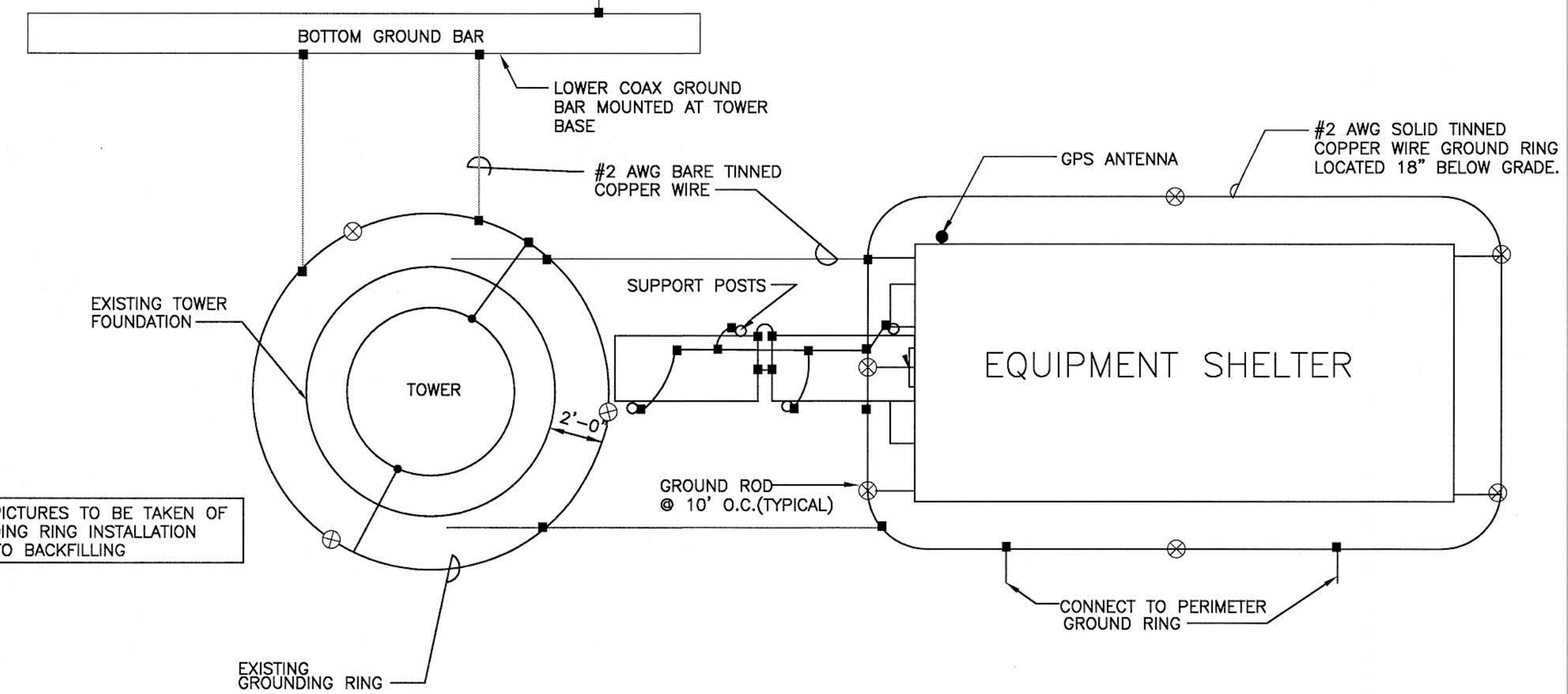


- NOTE:
- DO NOT INSTALL CABLE GROUND KIT AT A BEND AND ALWAYS DIRECT GROUND WIRE DOWN TO CIGBE.

STANDARD DETAIL CONNECTION OF
GROUND WIRES TO COAXIAL CABLES
SCALE: N.T.S.



PROPOSED PIPE MOUNTS AND #2 TIN CALDWELD TO BE PIPE LUG TO BUSS BAR



NOTE: PICTURES TO BE TAKEN OF GROUNDING RING INSTALLATION PRIOR TO BACKFILLING

GROUND RISER DIAGRAM
N.T.S.

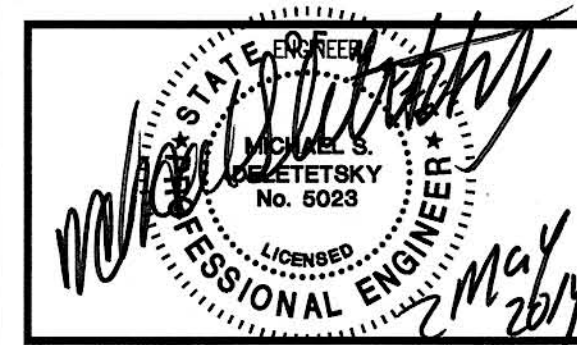


verizon wireless
400 FRIBERG PARKWAY
WESTBOROUGH, MA 01581
PHONE: (508) 330-3300
FAX: (781) 481-1396

amec
343 Gorham Road, South Portland ME 04106
P: (207) 761-1770 F: (207) 774-1246 www.amec.com

PROJECT COORDINATION BY:

SURVEYOR



PROJECT NO: 3618148351

DRAWN BY: CBM

RELEASED BY: MSD

SUBMITTALS

5/2/14 ISSUED FOR CONSTRUCTION

PORTLAND 5
20130930169

52 CANCO ROAD
PORTLAND, ME 04103

SHEET TITLE

GROUNDING DETAILS

SHEET NUMBER

E-1