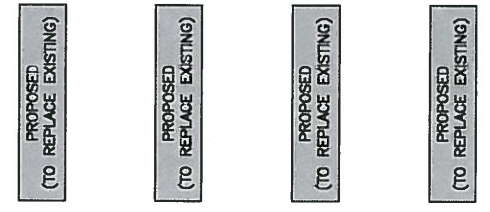


- NOTES:**
1. INSTALL ALL EQUIPMENT PER MANUFACTURER'S RECOMMENDATIONS.
 2. ALL EQUIPMENT SHALL BE GROUNDED PER VERIZON WIRELESS STANDARDS AND MANUFACTURER'S RECOMMENDATIONS.
 3. WEATHERSEAL EXTERIOR WALL/ROOF PENETRATIONS.
 4. DETAIL IS SCHEMATIC.
 5. DEWBERRY ENGINEERS, INC. HAS NOT BEEN PROVIDED WITH AND HAS NOT BEEN CONTRACTED TO PERFORM A STRUCTURAL ANALYSIS ON THIS TOWER AND THEREFORE ASSUMES NO RESPONSIBILITY FOR THE TOWER OR ITS FUTURE OR PROPOSED TOWER & ANTENNA INSTALLATIONS. TOWER RELATED IMPROVEMENTS ARE NOT TO BE INSTALLED WITHOUT A PASSING STRUCTURAL ANALYSIS.
 6. PROPOSED EQUIPMENT SHALL BE INSTALLED PER THE ANTENNA MOUNT ANALYSIS BY DEWBERRY ENGINEERS, INC. DATED 11-11-16

EQUIPMENT CONFIGURATION
SCALE: N.T.S.

1

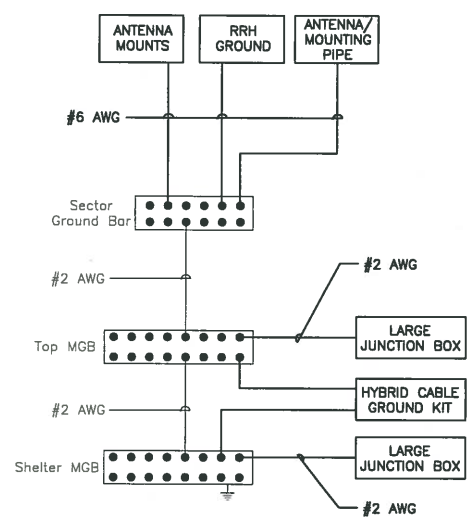
700 850 PCS-LTE AWS



- NOTES:**
1. AS VIEWED STANDING BEHIND THE ANTENNAS.
 2. TYPICAL FOR 3 SECTORS. VERIFY FINAL ANTENNA DESIGN SHEET PRIOR TO CONSTRUCTION.

ANTENNA CONFIGURATION
SCALE: N.T.S.

2



- NOTES:**
1. ALL PROPOSED EQUIPMENT TO BE GROUNDED TO SECTOR GROUND BAR.
 2. TYPICAL FOR FOR ALL SECTORS.
 3. GROUNDED SHALL COMPLY WITH NEC ART. 250 & VERIZON WIRELESS SPECIFICATIONS.

SCHEMATIC GROUNDING DIAGRAM
SCALE: N.T.S.

3

- GENERAL NOTES:**
1. ALL DIMENSIONS TO, OF, AND ON EXISTING BUILDINGS, DRAINAGE STRUCTURES, AND SITE IMPROVEMENTS SHALL BE VERIFIED IN FIELD BY CONTRACTOR PRIOR TO ALL FABRICATION WITH ALL DISCREPANCIES REPORTED IMMEDIATELY TO THE ENGINEER.
 2. THESE DRAWINGS DO NOT INCLUDE NECESSARY COMPONENTS FOR CONSTRUCTION SAFETY WHICH IS THE SOLE RESPONSIBILITY OF THE CONTRACTOR.
 3. BRACE STRUCTURES UNTIL ALL STRUCTURAL ELEMENTS NEEDED FOR STABILITY ARE INSTALLED. THESE ELEMENTS ARE AS FOLLOWS: LATERAL BRACING, ANCHOR BOLTS, ETC.
 4. INCORRECTLY FABRICATED, DAMAGED, OR OTHERWISE MISFITTING OR NONCONFORMING MATERIALS OR CONDITIONS SHALL BE REPORTED TO THE OWNER PRIOR TO REMEDIAL OR CORRECTIVE ACTION. ANY SUCH REMEDIAL ACTION SHALL REQUIRE WRITTEN APPROVAL BY THE OWNER'S REPRESENTATIVE PRIOR TO PROCEEDING.
 5. EACH CONTRACTOR SHALL COOPERATE WITH THE OWNER'S REPRESENTATIVE, AND COORDINATE HIS WORK WITH THE WORK OF OTHERS.
 6. REPAIR ANY DAMAGE DURING CONSTRUCTION TO MATCH EXISTING PRE-CONSTRUCTION CONDITIONS TO THE SATISFACTION OF THE CONSTRUCTION MANAGER.
 7. THE CONTRACTOR SHALL SUPERVISE AND DIRECT THE PROJECT DESCRIBED HEREIN. THE CONTRACTOR SHALL BE SOLELY RESPONSIBLE FOR ALL CONSTRUCTION MEANS, METHODS, TECHNIQUES, SEQUENCES AND PROCEDURES AND FOR COORDINATING ALL PORTIONS OF THE WORK UNDER THE CONTRACT.
 8. REUSE EXISTING ANTENNA MOUNTS & COAX. INSPECT FOR DAMAGE OR DECAY AND REPLACE AS NEEDED PER STRUCTURAL ANALYSIS.
 9. DEWBERRY ENGINEERS, INC HAS NOT BEEN PROVIDED WITH AND HAS NOT BEEN CONTRACTED TO PERFORM A STRUCTURAL ANALYSIS AND THEREFORE ASSUMES NO RESPONSIBILITY FOR THE TOWER OR ITS FUTURE OR PROPOSED TOWER & ANTENNA INSTALLATIONS. TOWER RELATED IMPROVEMENTS ARE NOT TO BE INSTALLED WITHOUT A PASSING STRUCTURAL ANALYSIS.



VERIZON WIRELESS
118 FLANDERS ROAD
WESTBOROUGH, MA 01581-3956

PORTLAND 5 ME

ANTMO DRAWINGS

0	11/11/16 FOR SUBMITTAL



Dewberry Engineers Inc.
280 SUMMER STREET
BOSTON, MA 02210
PHONE: 617.894.4000
FAX: 617.894.3810



DRAWN BY: SK

REVIEWED BY: JCM

CHECKED BY: BBR

PROJECT NUMBER: 50002925

JOB NUMBER: 50085167

SITE ADDRESS

52 CANCO ROAD
PORTLAND, ME 04103

SHEET TITLE

CONSTRUCTION
DETAILS

SHEET NUMBER