

GRANT HAY
ASSOCIATE

ARCHITECTURE & INTERIOR DESIGN
P.O. BOX 6179 FALMOUTH MAINE 04101
207.871.5900 www.granthay.com

JCAL

REVISIONS

PROJECT NAME

OTTO'S PIZZA
TENANT FIT-UP

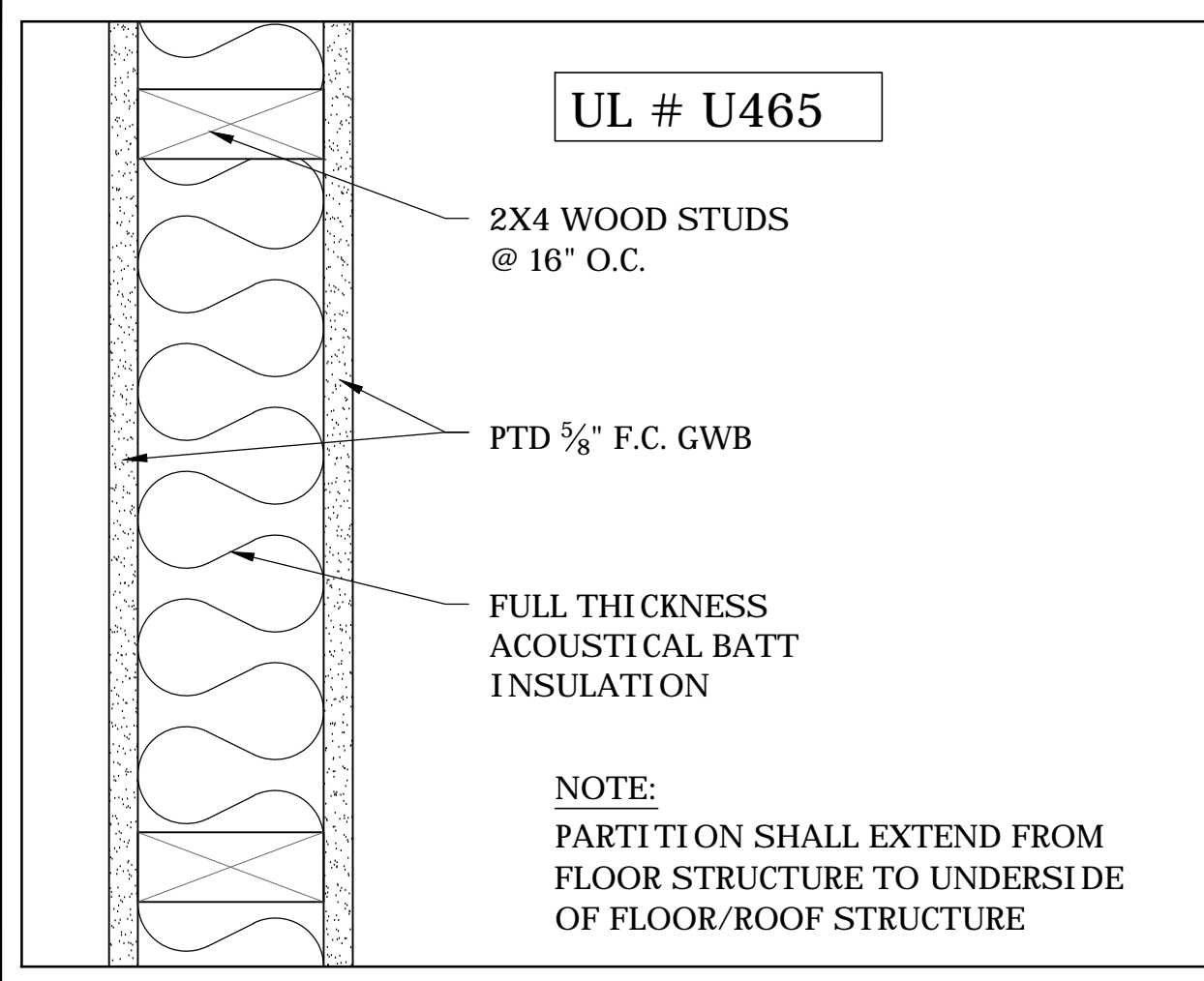
750 DEAN STREET PORTLAND MAINE 04103

JMEET

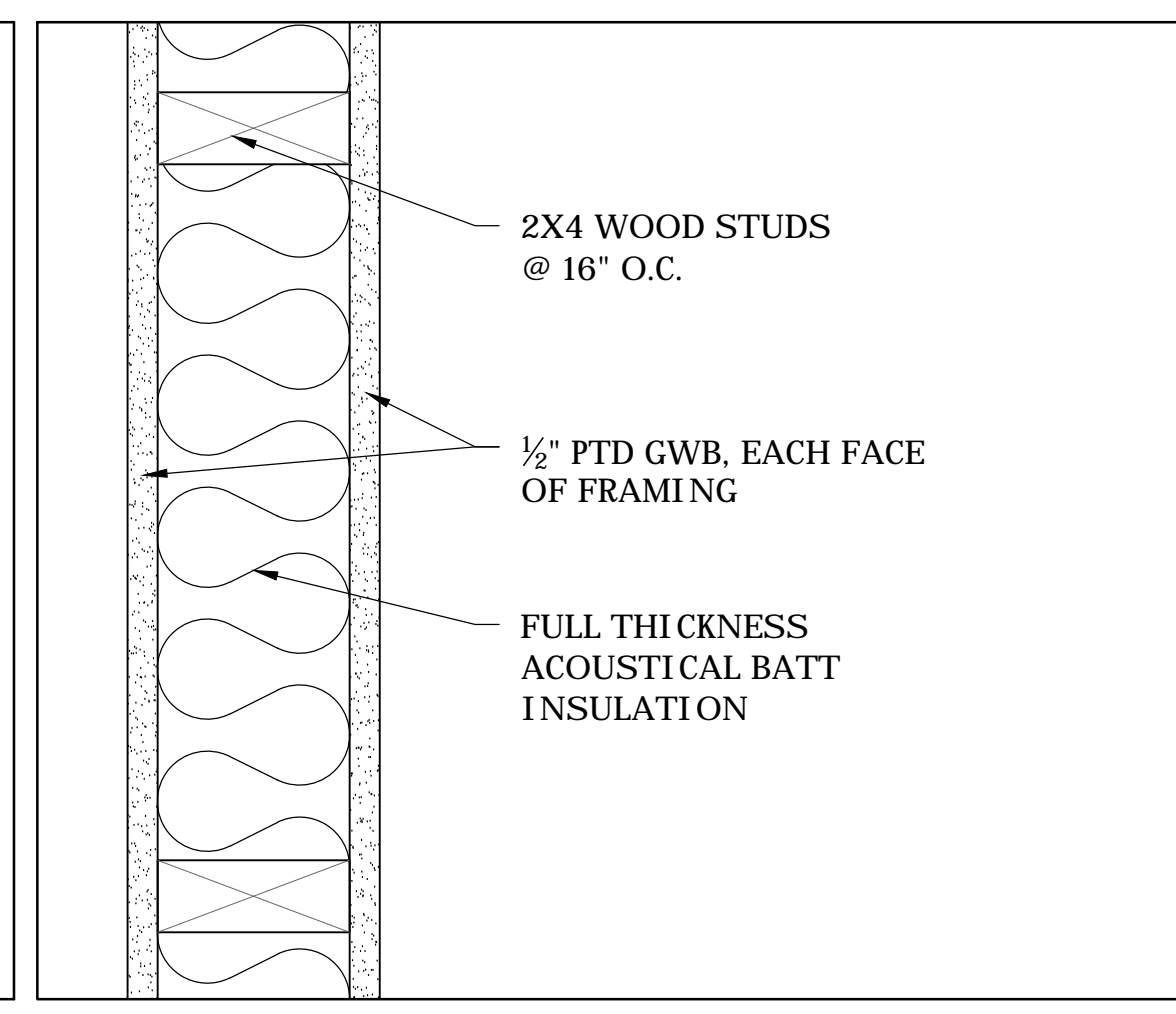
DOORS, HARDWARE
&
PARTITIONS & RAILINGS

DATE
25 MAY 2016
SCALE
AS NOTED
DRAWN
JAM/MFH
JOB NO.
160516
JMEET

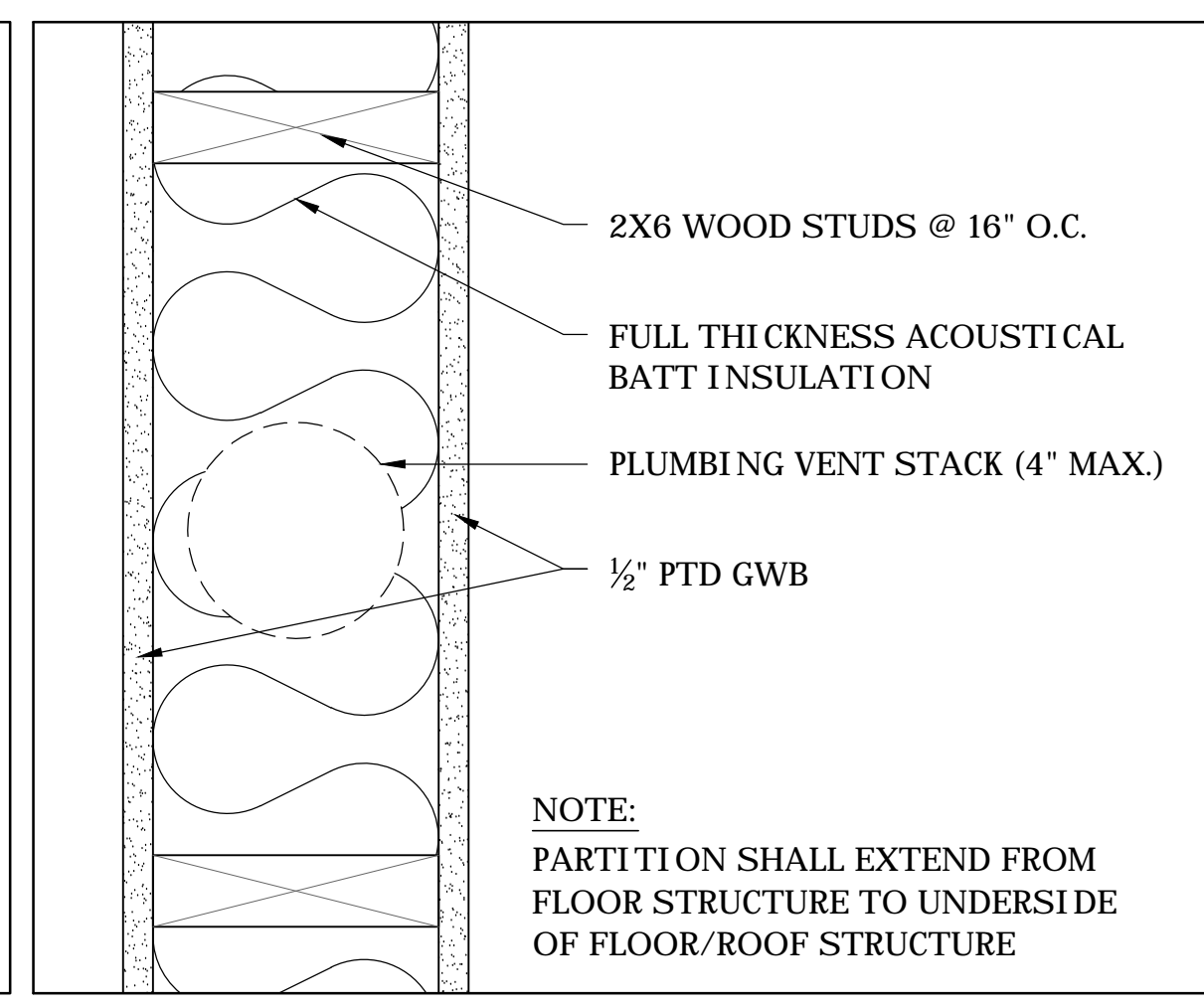
A3
COPYRIGHT REPRODUCTION OR RELIEF OF THIS DOCUMENT WITHOUT WRITTEN PERMISSION FROM GRANT HAY ASSOCIATES IS PROHIBITED



① TYPICAL 1 HR RATED PARTITION 3"=1'-0"



② TYPICAL PARTITION 3"=1'-0"



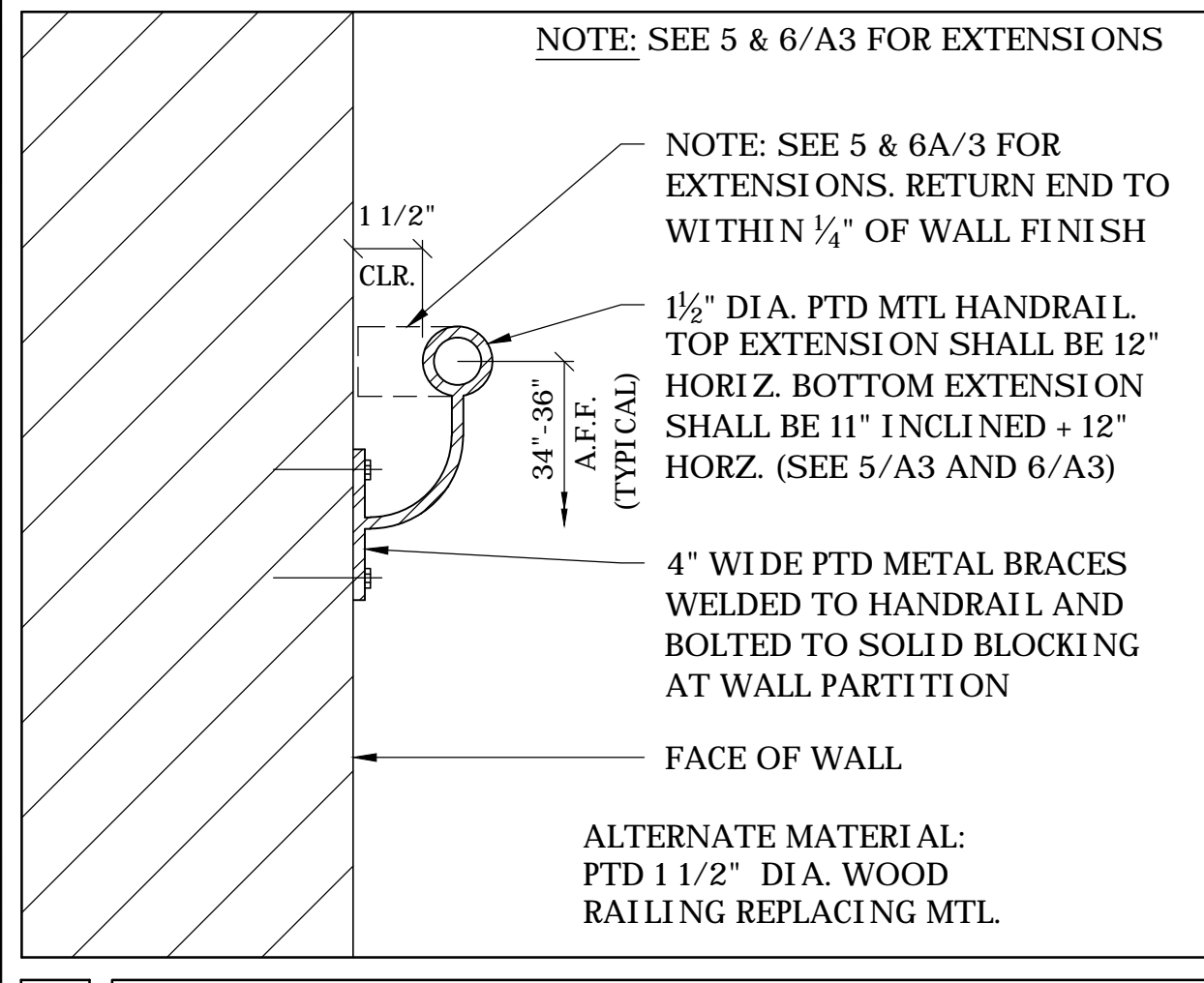
③ TYPICAL PARTITION 3"=1'-0"

DOOR SCHEDULE

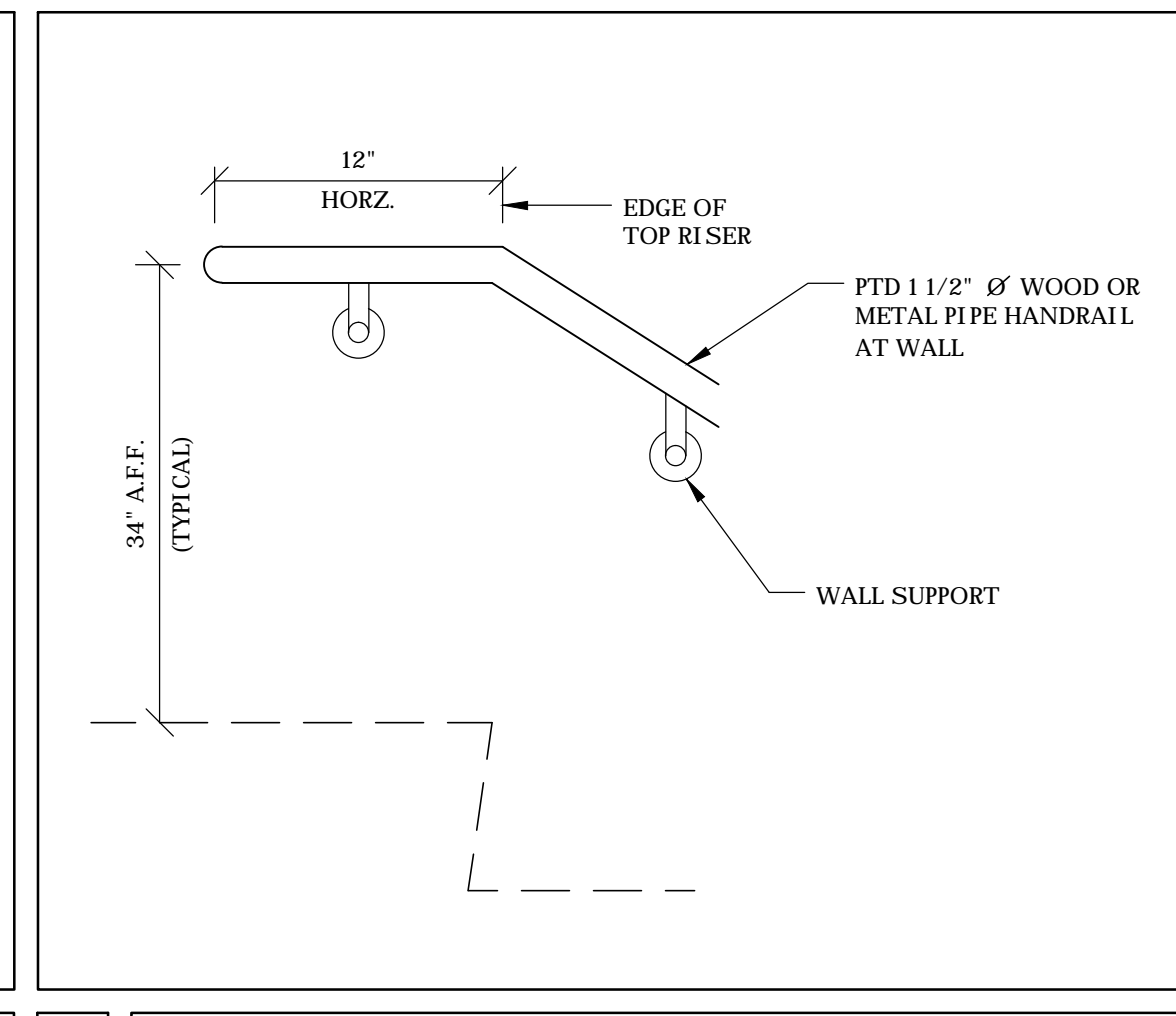
ABBREVIATIONS

AL	ALUMINUM	T	TEMPERED
E	EXISTING	TH	THERMAL INSULATED
EMHO	ELECTRO MAGNETIC HOLD OPENER	V	VENEER
GL	GLASS	W	WIRE
HM	HOLLOW METAL	WD	WOOD
INSL	INSULATED	W/	WITH
SS	STAINLESS STEEL		

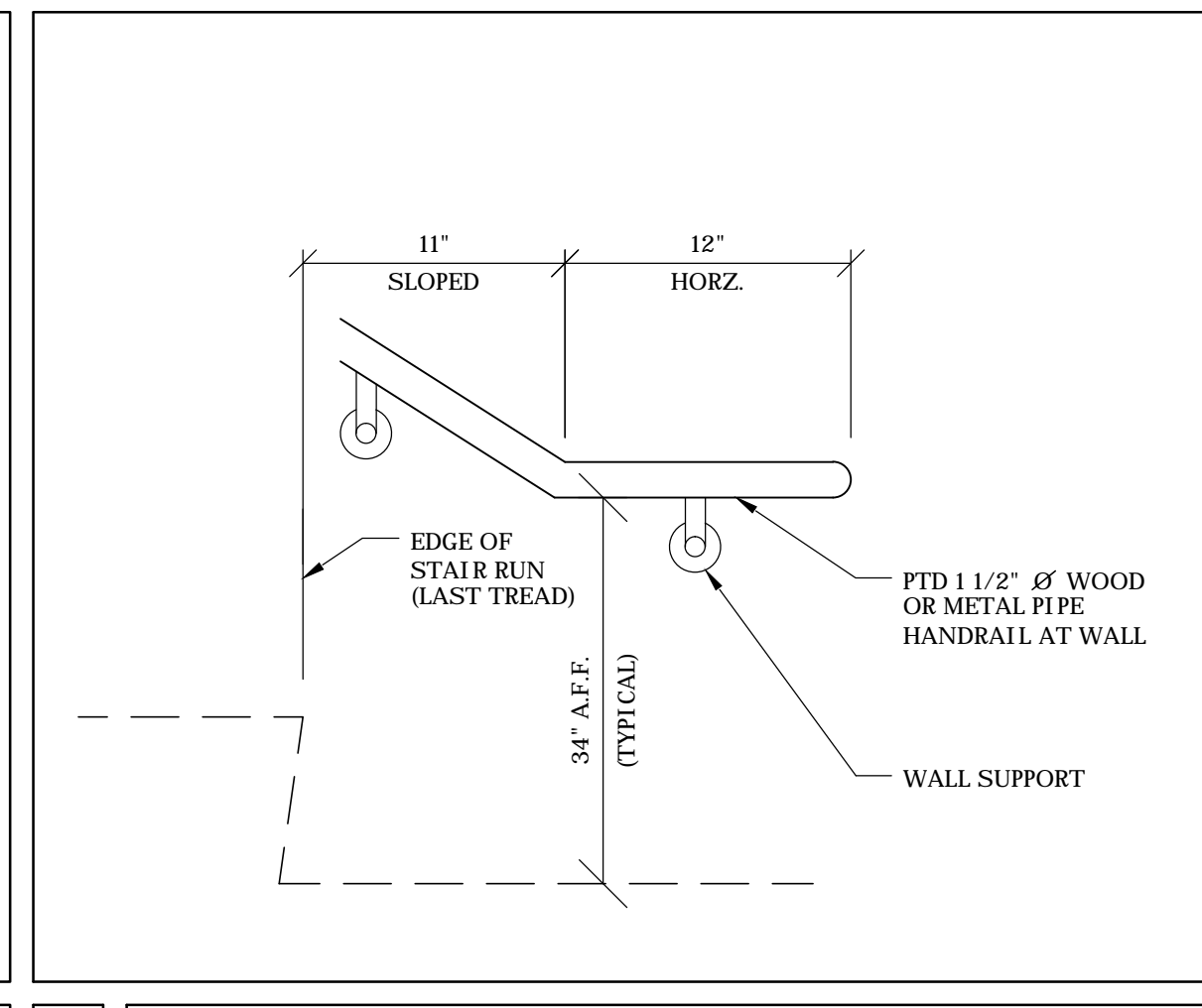
DOORS									FRAMES			THRESHOLDS					
NO.	TYPE	SIZE (w x h)	THK	INSUL	HDWE	FR	GLASS		REMARKS	TYPE	FR	PROFILE	DETAILS		MATERIAL	DETAILS	
							TYPE	SIZE					HEAD	JAMB		SILL	FIN
101	A	6068 PR	1 3/4	NO	HW-1	NO	T/TH	FULL		A	NO	TH	MFRG	MFRG	ALUM	ADA	-
102	A	3068	1 3/4	NO	HW-2	NO	T/TH	FULL		A	NO	TH	MFRG	MFRG	ALUM	ADA	-
103	B	4068	1 3/8	YES	HW-3	NO	T/TH	10X10		B	NO	MAS	STD	STD	ALUM	ADA	-
104	C	3068	1 3/8	NO	HW-4	NO	NONE	NONE		C	NO	DW	STD	STD	NONE	-	-
105	C	3068	1 3/8	NO	HW-4	NO	NONE	NONE		C	NO	DW	STD	STD	NONE	-	-
106	D	3068	1 3/8	YES	HW-5 *	2 HR	T/TH	4X25	* SEE SHT A-2	B	2 HR	MAS	STD	STD	ALUM	ADA	-
107	C	3068	1 3/8	NO	HW-6	1 HR	NONE	NONE		C	1 HR	DW	STD	STD	NONE	-	-



④ TYPICAL WALL HANDRAIL SECTION 3"=1'-0"



⑤ TYPICAL WALL HANDRAIL - TOP 1"=1'-0"

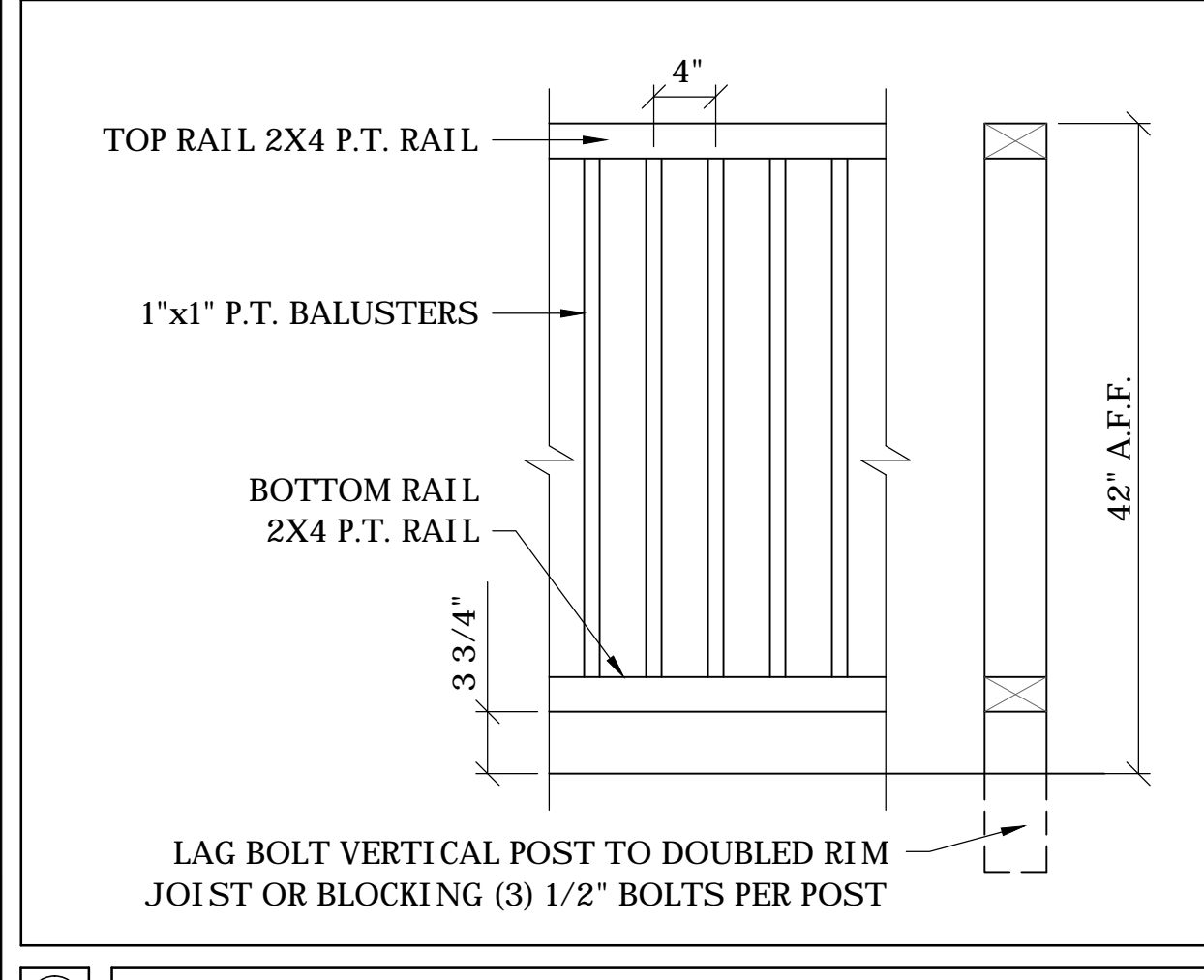


⑥ TYPICAL WALL HANDRAIL - BOTTOM 1"=1'-0"

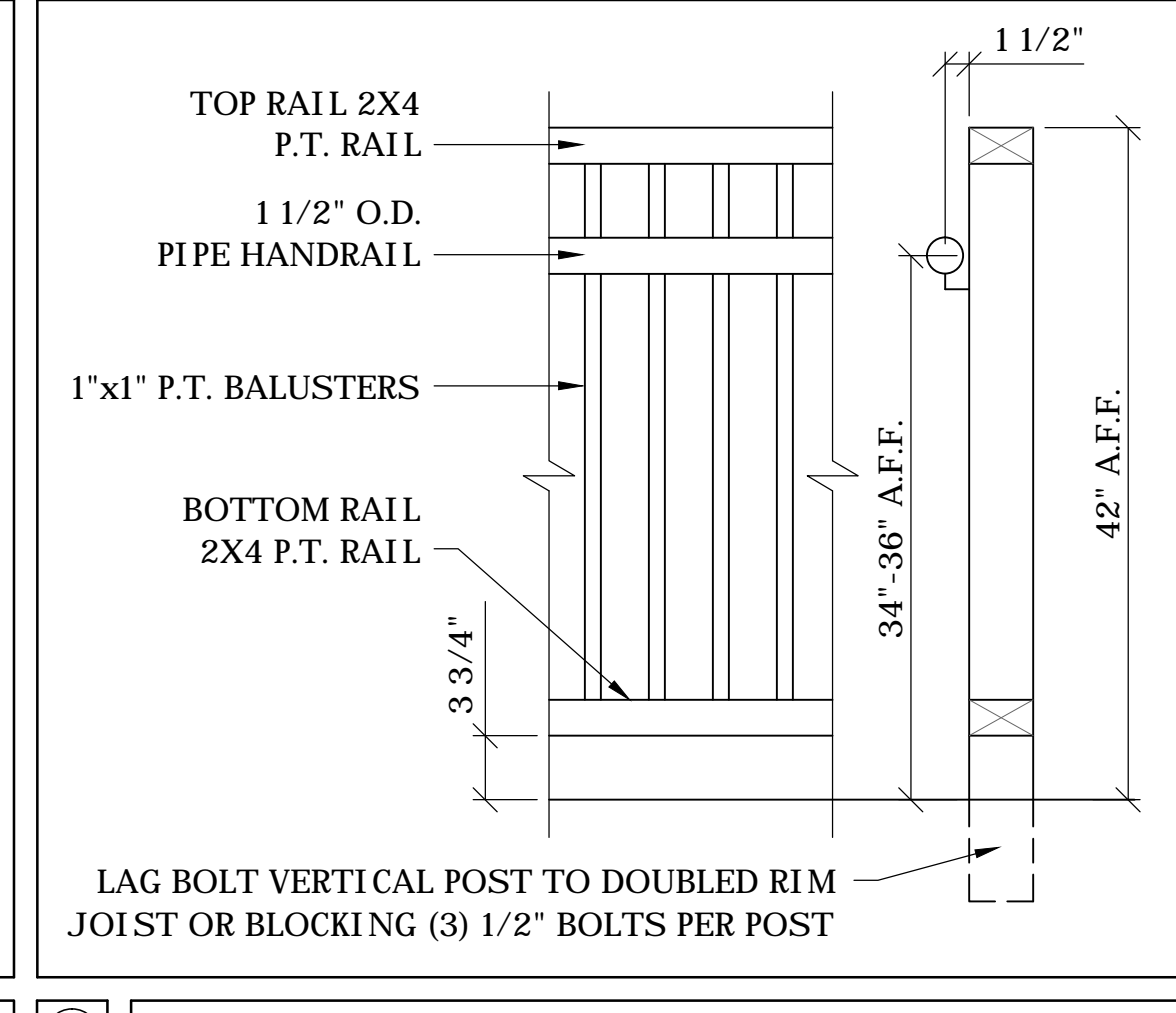
HARDWARE SETS NO SCALE

HW-1 EXISTING EXTERIOR PAIR DOORS	HW-3 NEW EXTERIOR SINGLE DOOR	HW-5 NEW INTERIOR RATED SINGLE DOOR (SEE SHEET A2)
6 BUTTS	4 BUTTS	3 BUTTS
2 EXIT DEVICES WITH EXTERIOR PULLS	1 LEVER LOCKSET - EXIT FUNCTION	1 EXIT DEVICE W/ LEVER
2 DOOR CLOSERS	1 DOOR CLOSER	1 DOOR CLOSER
1 JAMB & HEAD WEATHERSTRIPPING SET	1 JAMB & HEAD WEATHERSTRIPPING SET	1 JAMB & HEAD WEATHERSTRIPPING SET
2 DOOR BOTTOM WEATHERSTRIPPING	1 DOOR BOTTOM WEATHERSTRIPPING	1 DOOR BOTTOM WEATHERSTRIPPING
1 ADA THRESHOLD	1 ADA THRESHOLD	1 ADA THRESHOLD
		1 KICKPLATE

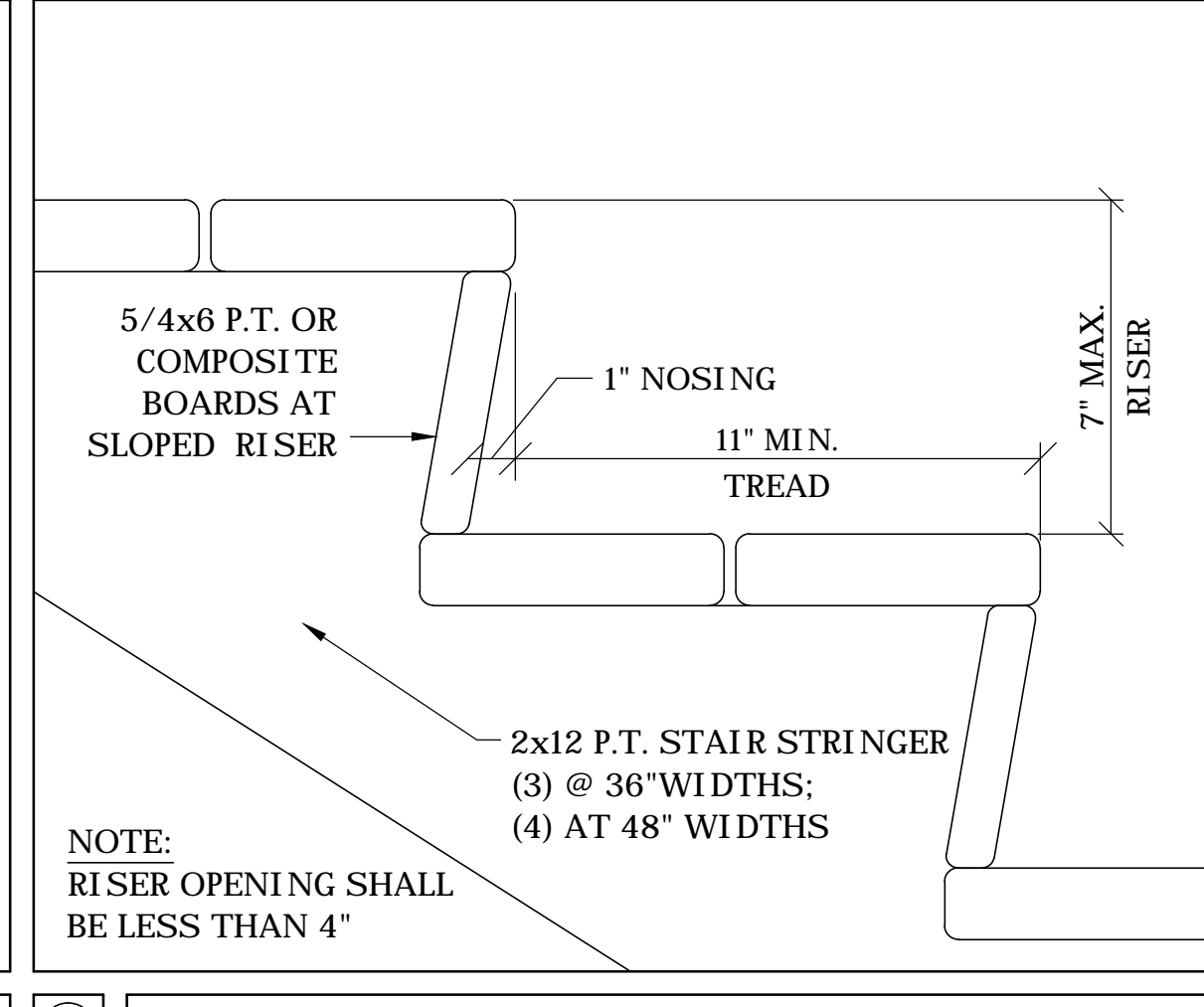
HW-2 NEW EXTERIOR SINGLE DOOR	HW-4 NEW EXTERIOR SINGLE DOOR	HW-6 INTERIOR SINGLE RATED DOOR
3 BUTTS	3 BUTTS	3 BUTTS
1 EXIT DEVICE WITH EXTERIOR PULLS	1 LEVER LOCKSET - PRIVACY FUNCTION - AT MEN'S ONLY	1 LEVER LOCKSET - STORE ROOM FUNCTION
1 DOOR CLOSER	1 PUSH/PULL SET - AT WOMEN'S ONLY	1 DOOR CLOSER
1 JAMB & HEAD WEATHERSTRIPPING SET	1 CLOSER	2 FRAME SILENCERS
1 DOOR BOTTOM WEATHERSTRIPPING		
1 ADA THRESHOLD		



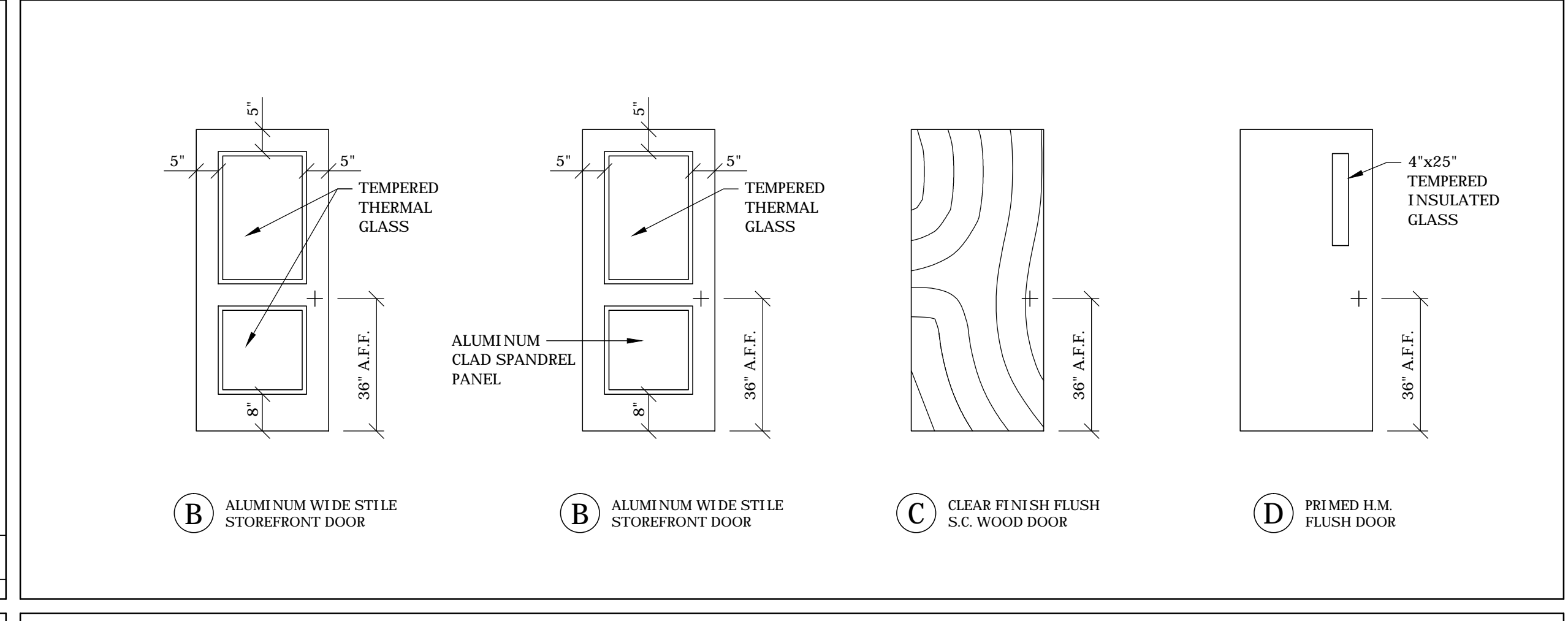
⑦ TYPICAL EXTERIOR GUARDRAIL 3"=1'-0"



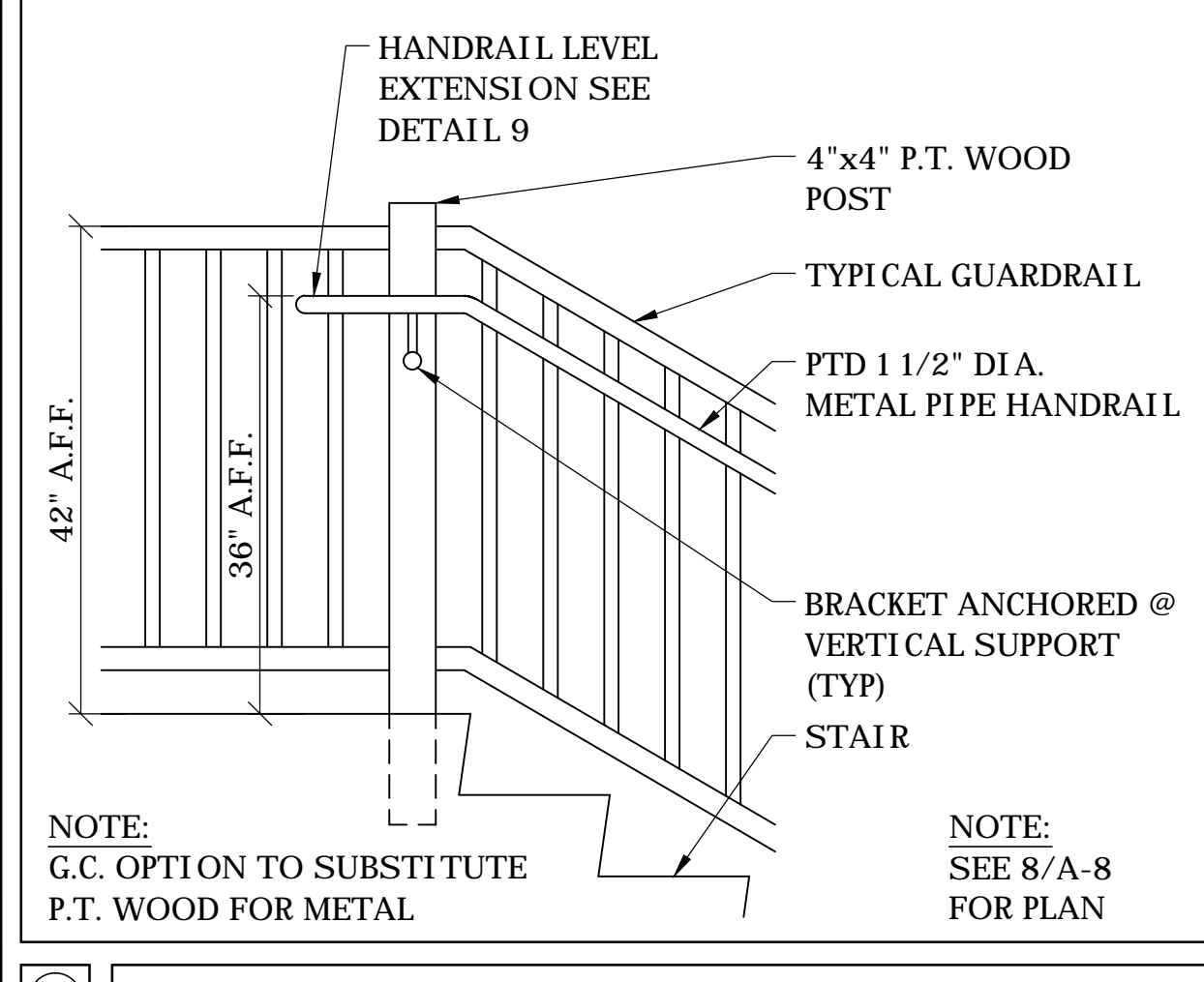
⑧ TYPICAL EXTERIOR GUARDRAIL/HANDRAIL 3"=1'-0"



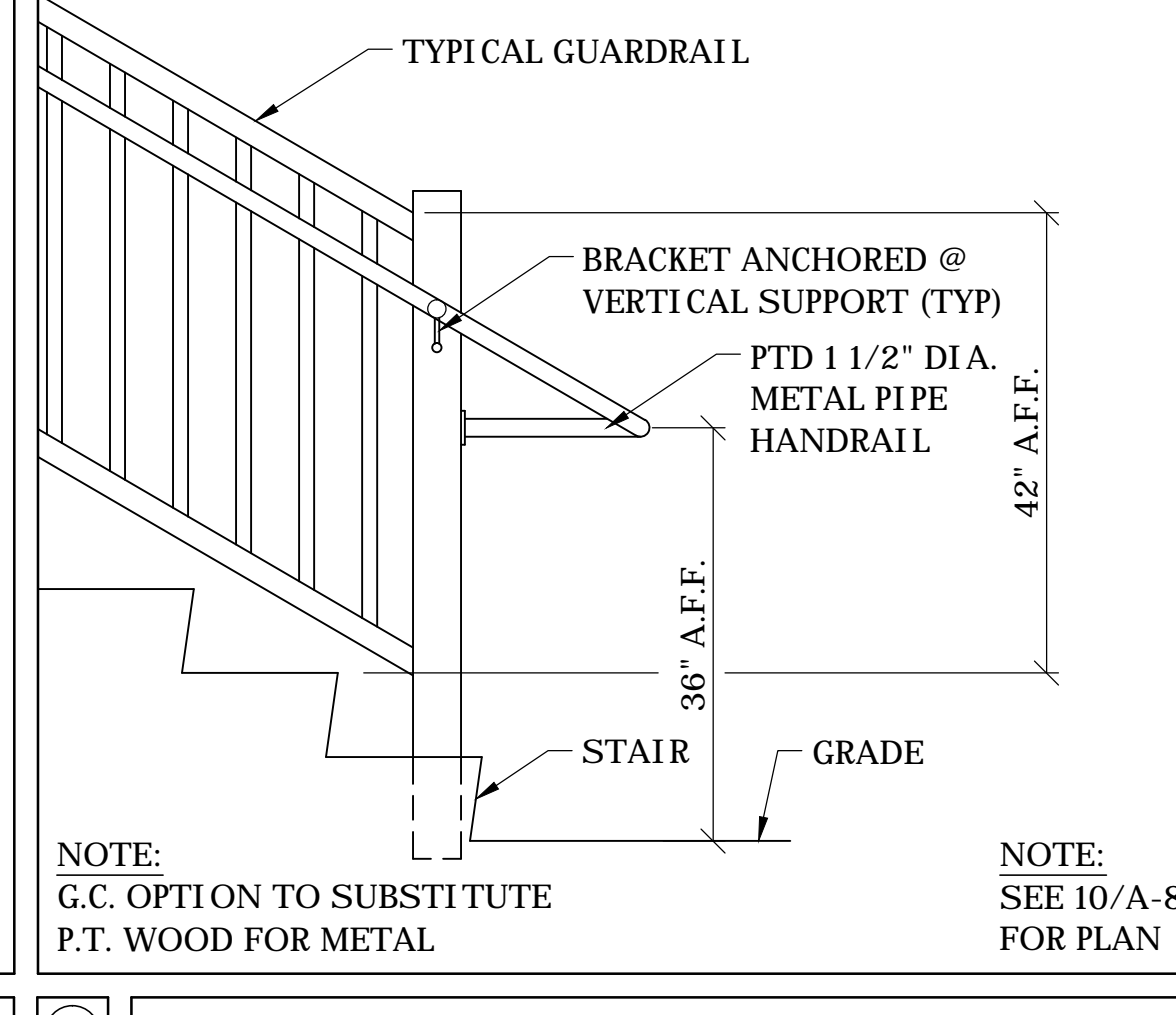
⑨ TYPICAL EXTERIOR STAIR TREAD/RISER 3"=1'-0"



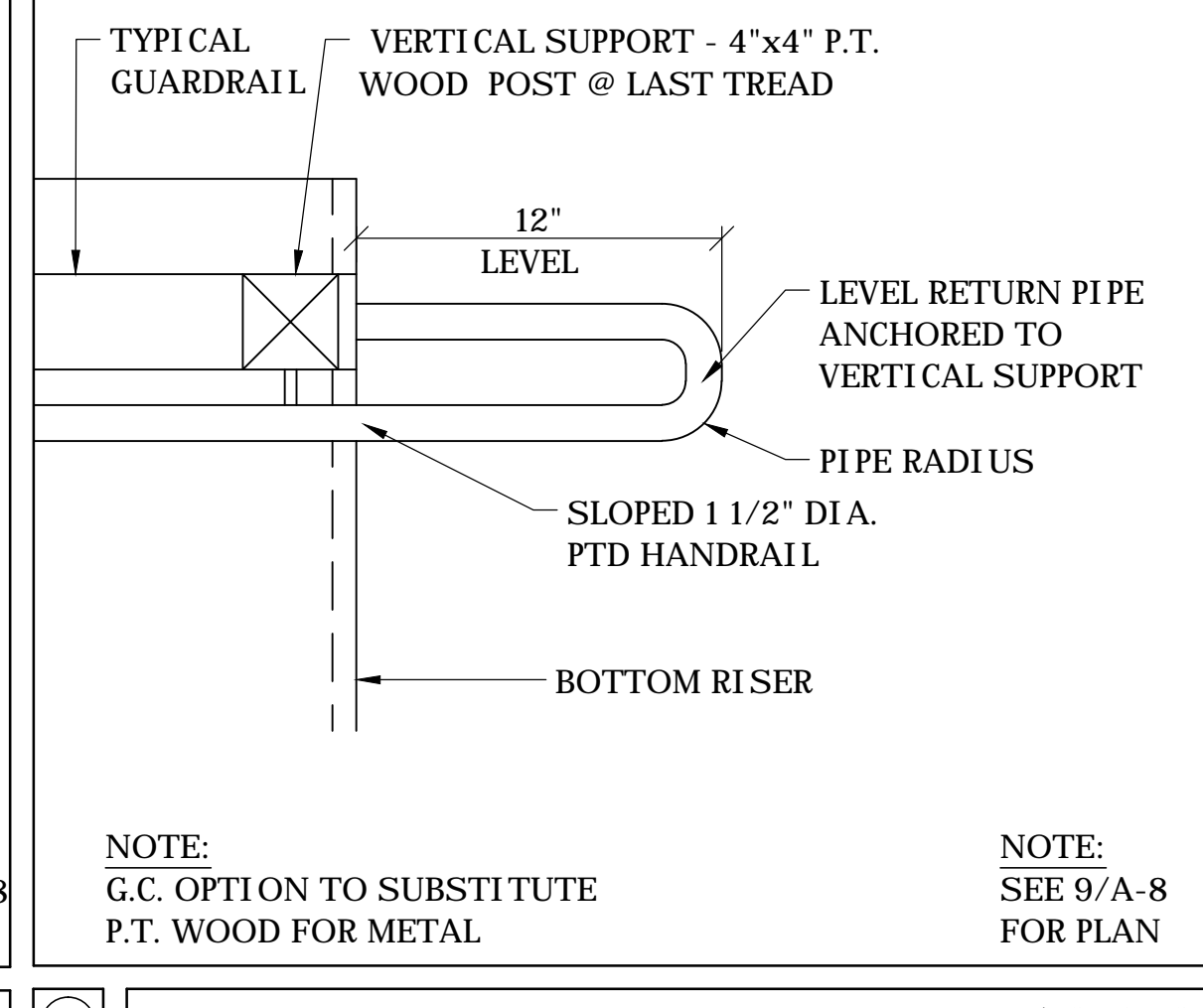
FRAME TYPES NO SCALE



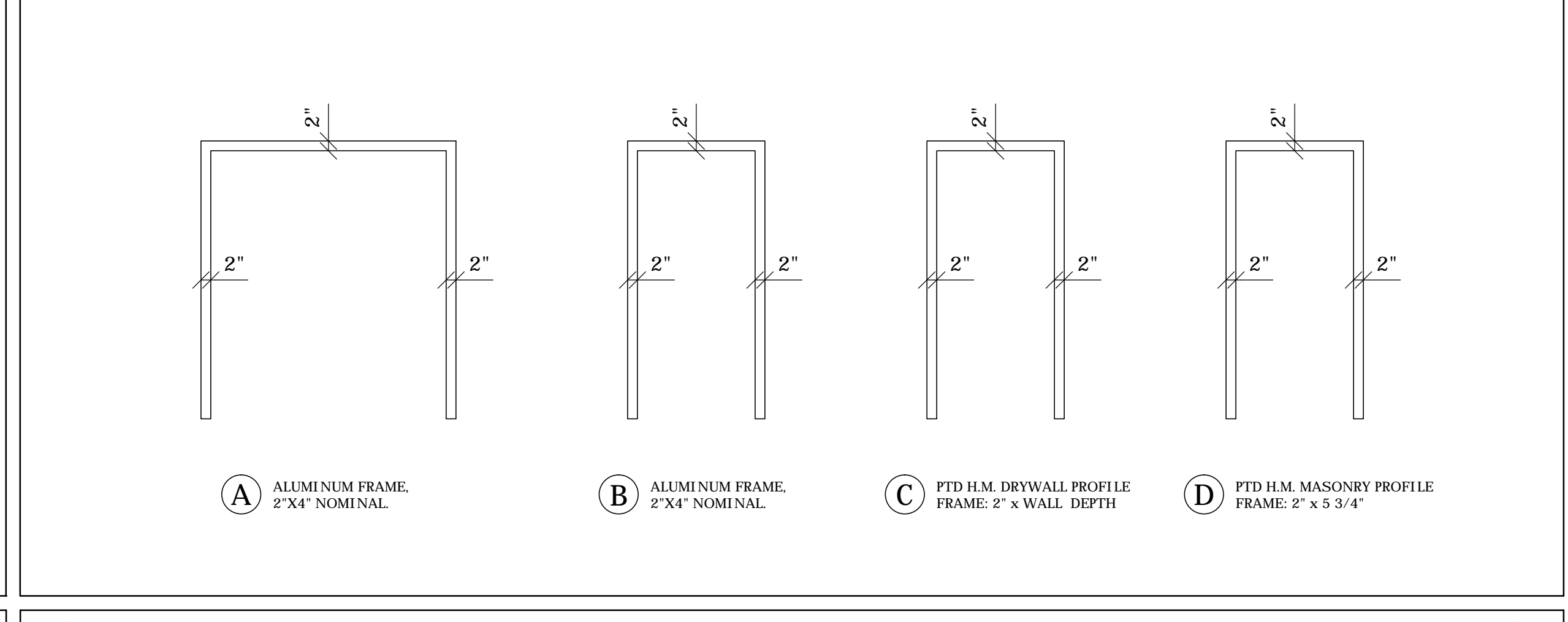
⑩ HANDRAIL TOP EXTENSION @ GUARDRAIL 3/4"=1'-0"



⑪ HANDRAIL BOTTOM EXTENSION 3"=1'-0"



⑫ TYPICAL HANDRAIL EXTENSION 1 1/2"=1'-0"



FRAME TYPES NO SCALE