

GRANT HAY
ASSOCIATES

ARCHITECTURE & INTERIOR DESIGN
P.O. BOX 6179 FALMOUTH MAINE 041
207.871.5900 www.granthays.com

SCALE

REVISIONS

PROJECT NAME

OTTO'S PIZZA
TENANT FIT-UP

250 READ STREET PORTLAND MAINE 04103

MEET

DOOR DETAILS
RAMP FRAMING DETAILS

DATE
25 MAY 2016

SCALE
AS NOTED

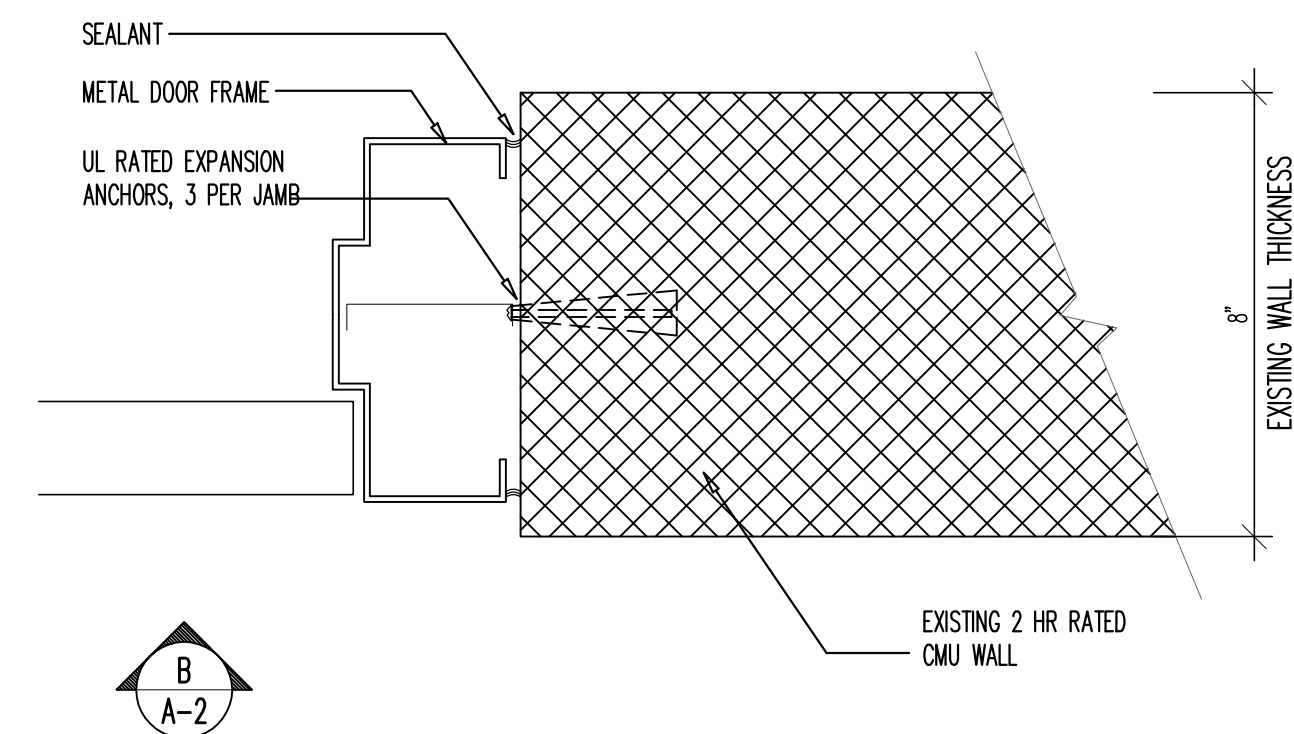
DRAWN
JAM/MFH

JOB NO.
160516

MEET

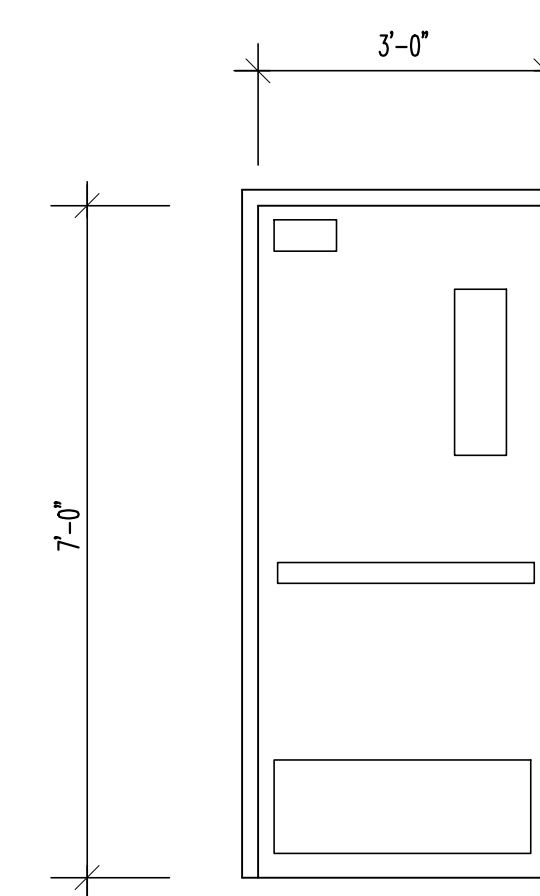
A2

COPYRIGHT
REPRODUCTION OR REVISE OF THIS
DOCUMENT WITHOUT WRITTEN
PERMISSION FROM GRANT HAY
ASSOCIATES IS PROHIBITED



B
A-2

DOOR JAMB DETAIL 106
SCALE: 3" = 1'-0"



FIRE DOOR ELEVATION 106
NO SCALE

STANDARD HOLLOW-METAL STEEL DOOR FRAME

SMOKE-CONTROL DOOR ASSEMBLIES: COMPLY WITH NFPA 105 OR UL 1784 CLOSER

OBTAIN STANDARD STEEL DOORS AND FRAMES FROM SINGLE MANUFACTURER

MANUFACTURERS:
AMMELD BUILDING PRODUCTS
CECO DOOR PRODUCTS
CURRIES COMPANY

GROUT: COMPLY WITH ASTM C 476 WITH A SLUMP OF 4 INCHES

FACTORY APPLIED PAINT FINISH

INSTALL STANDARD STEEL FRAMES TO COMPLY WITH SDI 105 AND NFPA 80

STANDARD HOLLOW-METAL STEEL DOOR WITH SIDELIGHT/PANEL (VISION LITE)

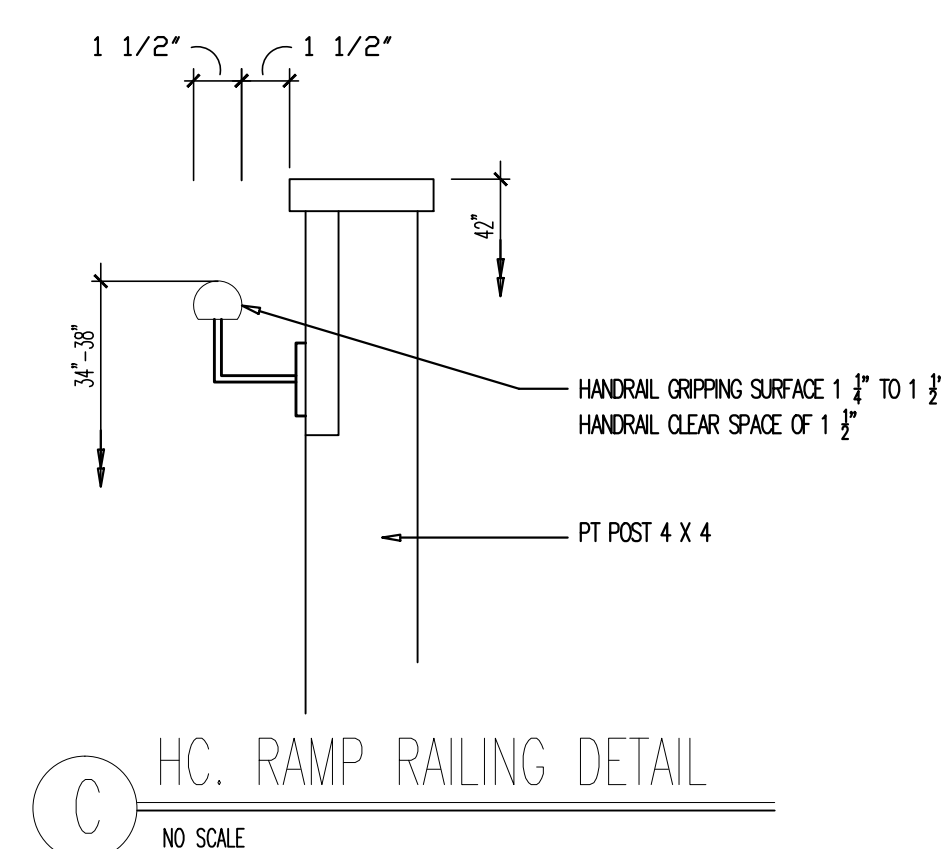
COLD-ROLLED SHEET STEEL, COMMERCIAL STEEL,
TYPE B

1 1/2" LABEL

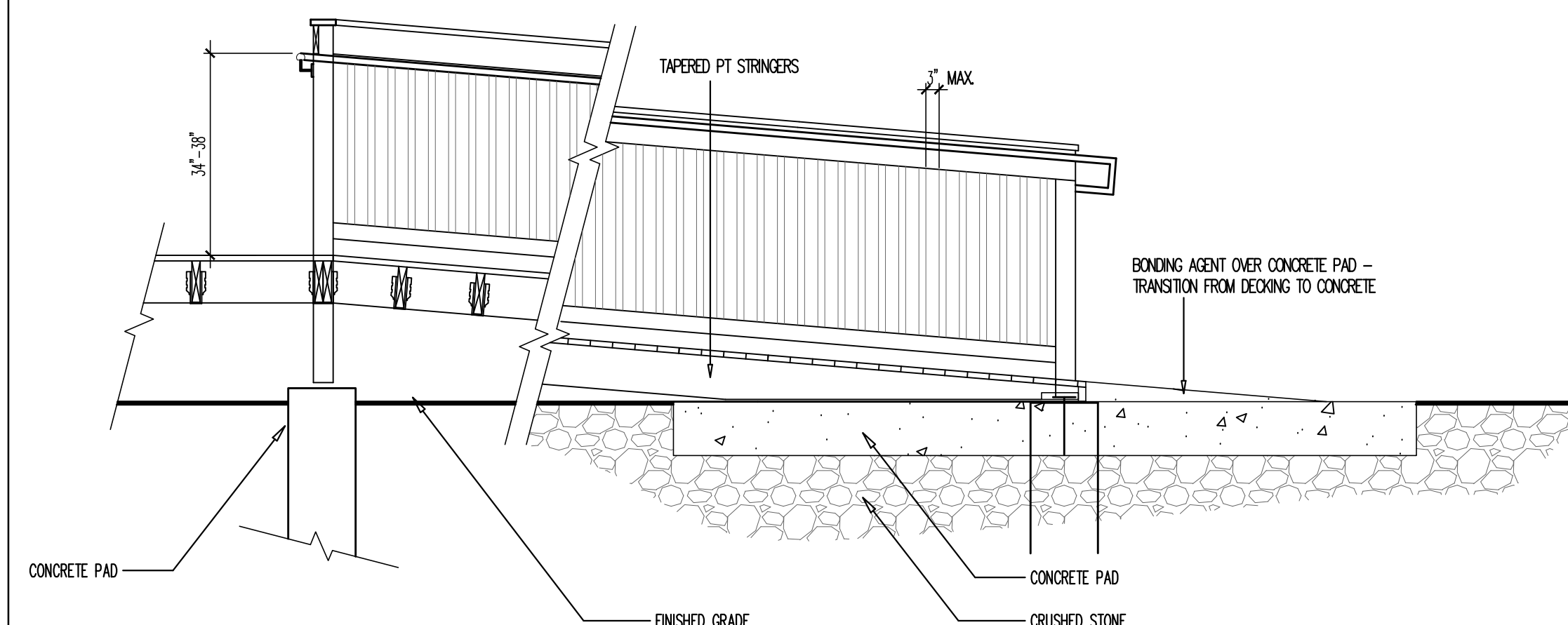
NORTON DOOR CLOSER, SURFACE TYPE
KICK PLATE - 1905 8" x 2" LDW, USA
ADA THRESHOLD - 412SG, Ano. Alum.
3 HINGES - BB1191 4.5" X 4.5" NRP, 605
GASKET - 726 X 17, CHARCOAL
RIM EXIT DEVICE F18R X L-LS/LK Capri x SHI, 605
SWEEP - 756ASG

NEW FIRE RATED DOOR 106 AT WALK IN COOLER

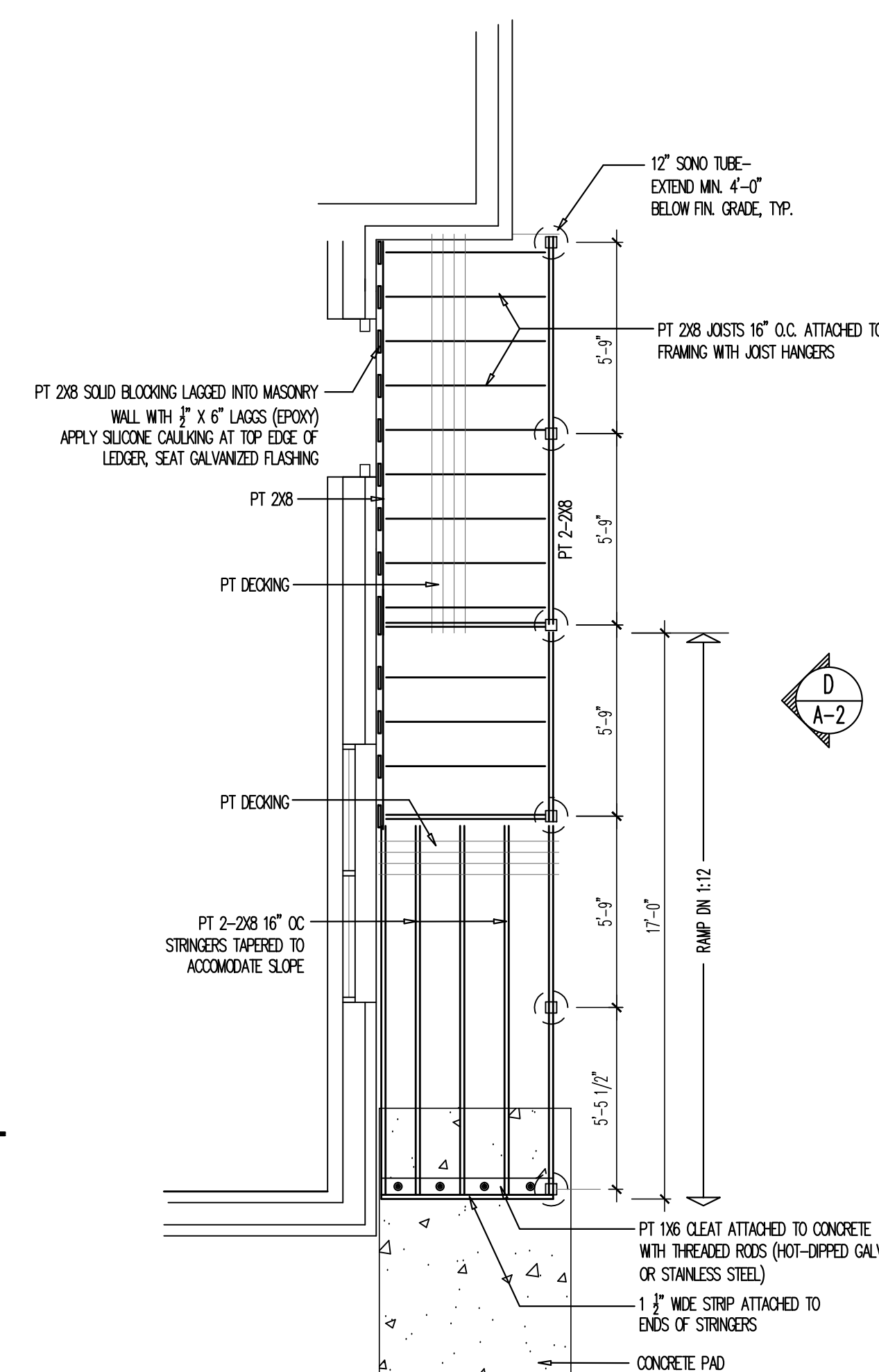
AS NOTED



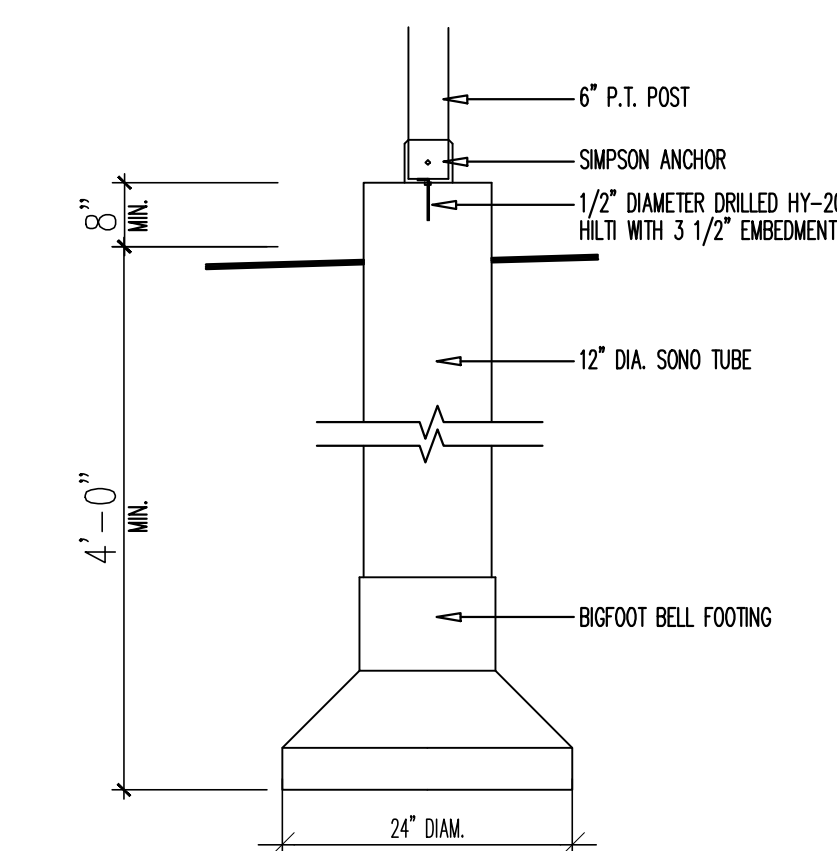
HC. RAMP RAILING DETAIL
NO SCALE



SECTION THROUGH RAMP
SCALE: 3" = 1'-0"



SECTION THROUGH RAMP
SCALE: 3" = 1'-0"



SECTION THRU FOOTING
SCALE: 1/2" = 1'-0"

NEW SERVICE RAMP DETAILS

AS NOTED