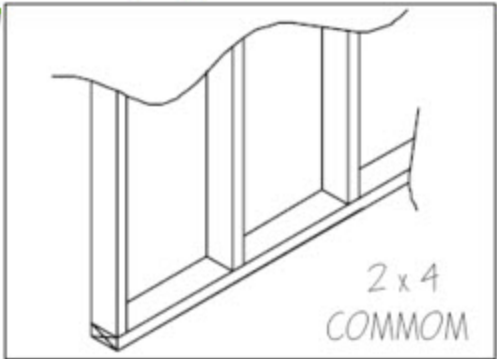


Adding 2x4 framed walls to the following locations on top of already existing stage and flooring. All the walls shown in red are 8' tall, length shown w/ wall.



15'

10' 8' 12'