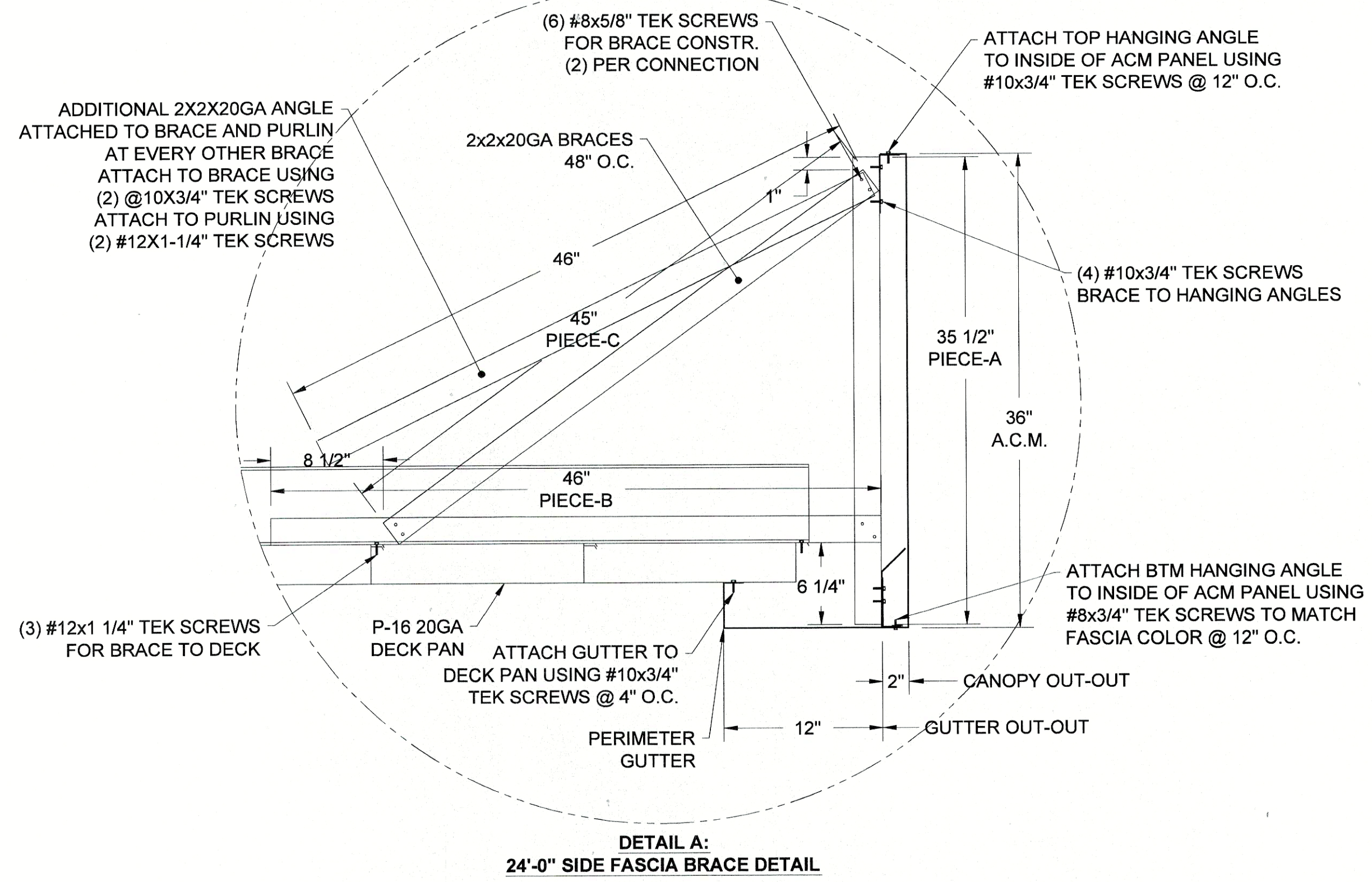
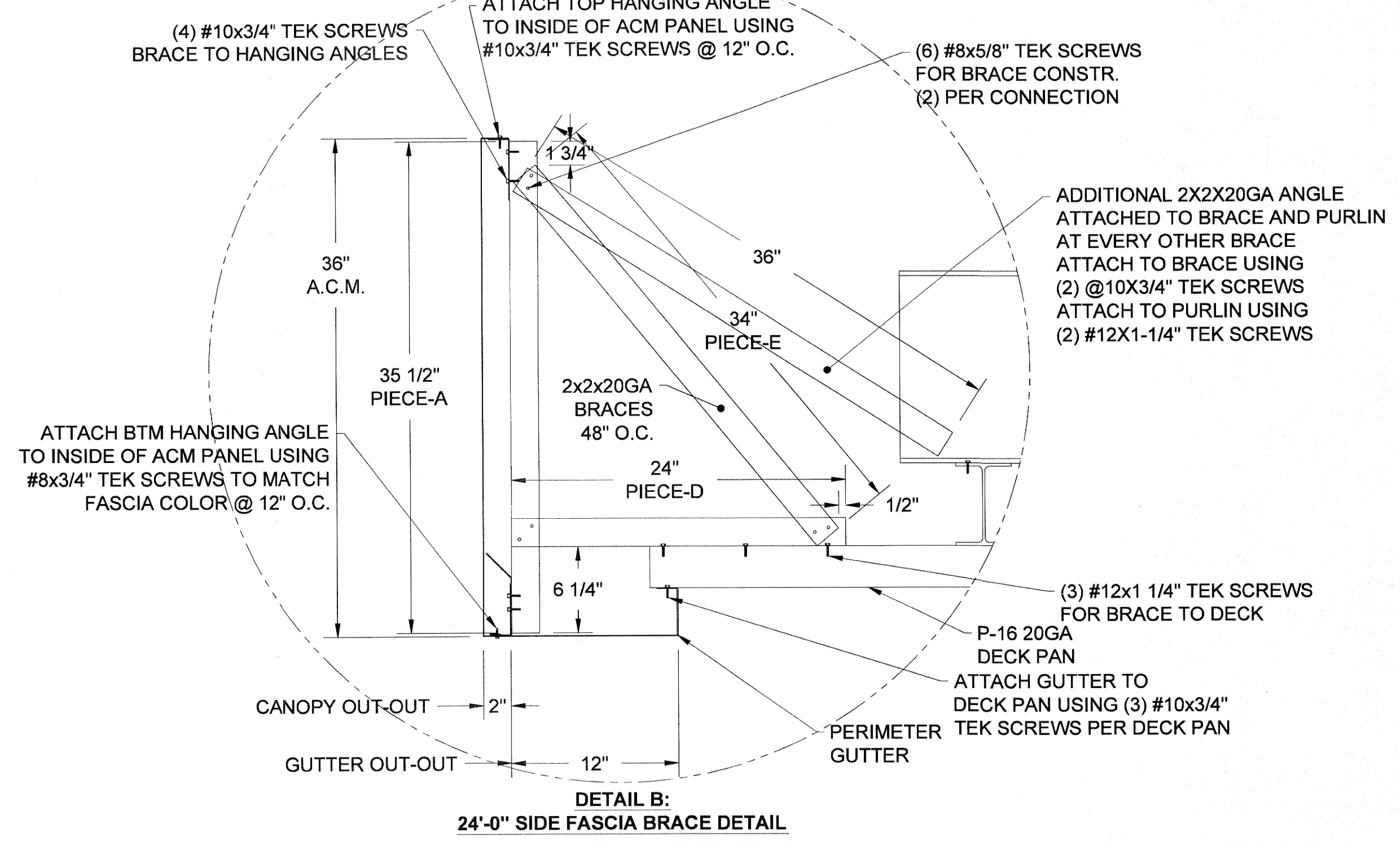


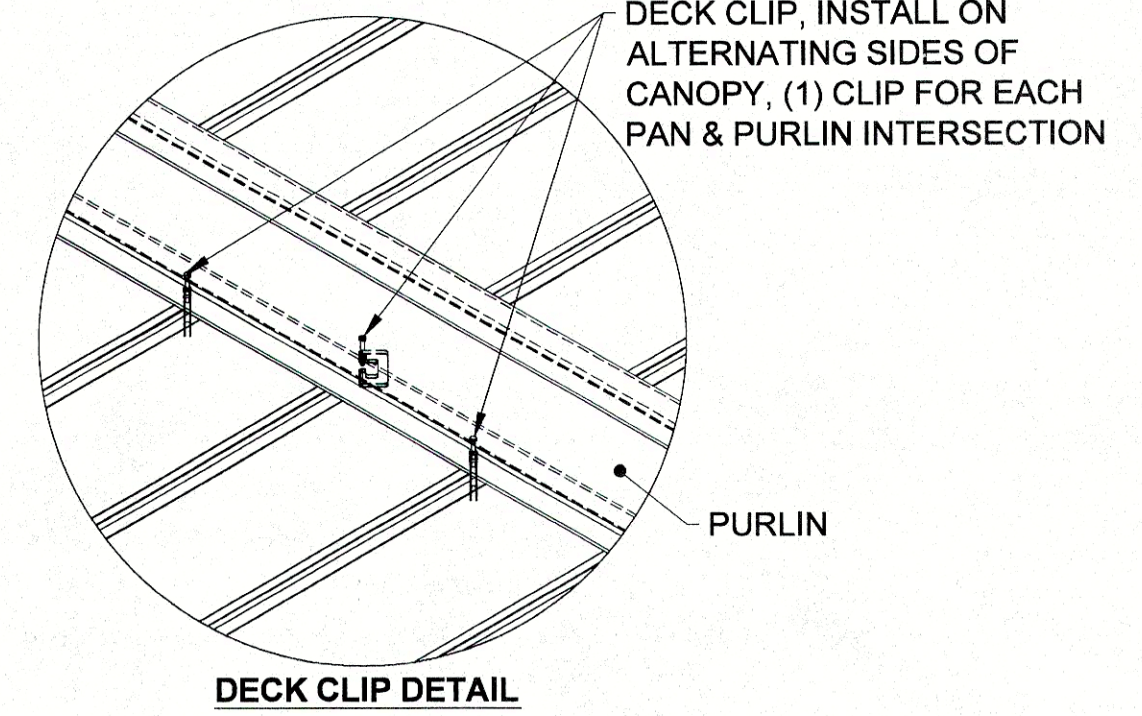
**KEY:**  
 C - DETAIL LETTER  
 3 - SHEET



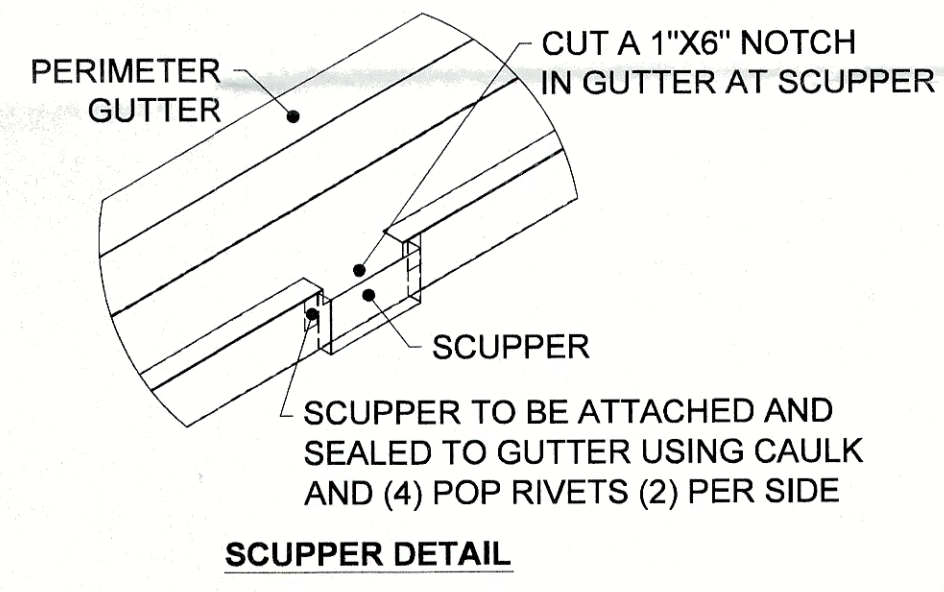
**DETAIL A:  
24'-0" SIDE FASCIA BRACE DETAIL**



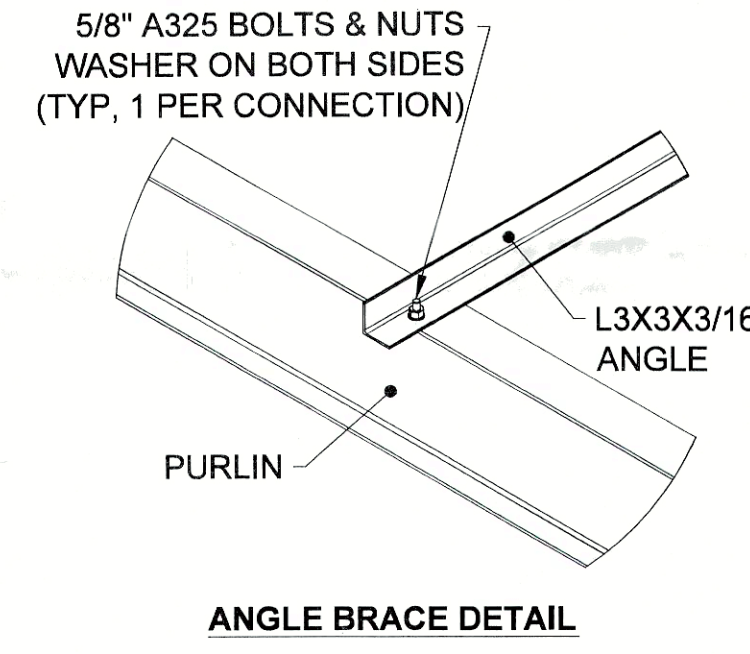
**DETAIL B:  
24'-0" SIDE FASCIA BRACE DETAIL**



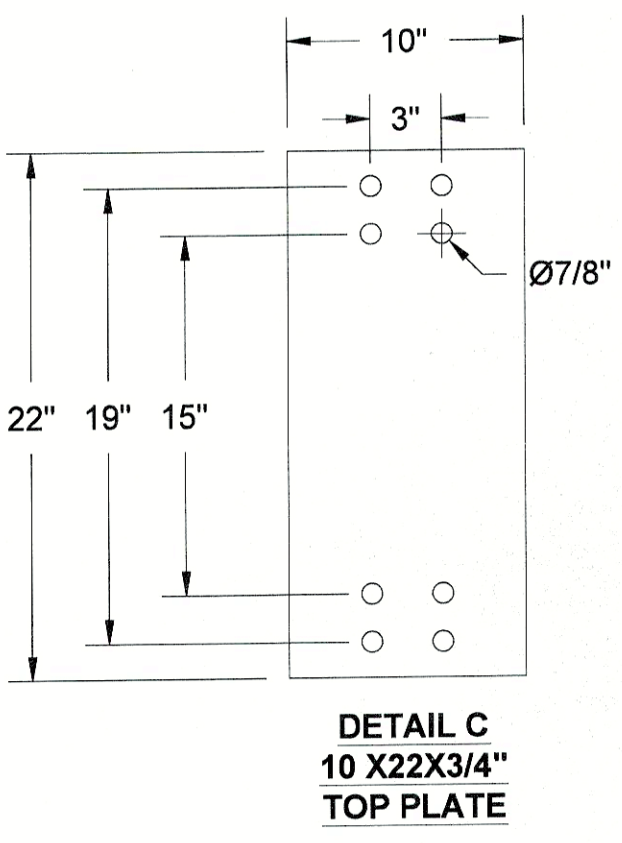
**DECK CLIP DETAIL**



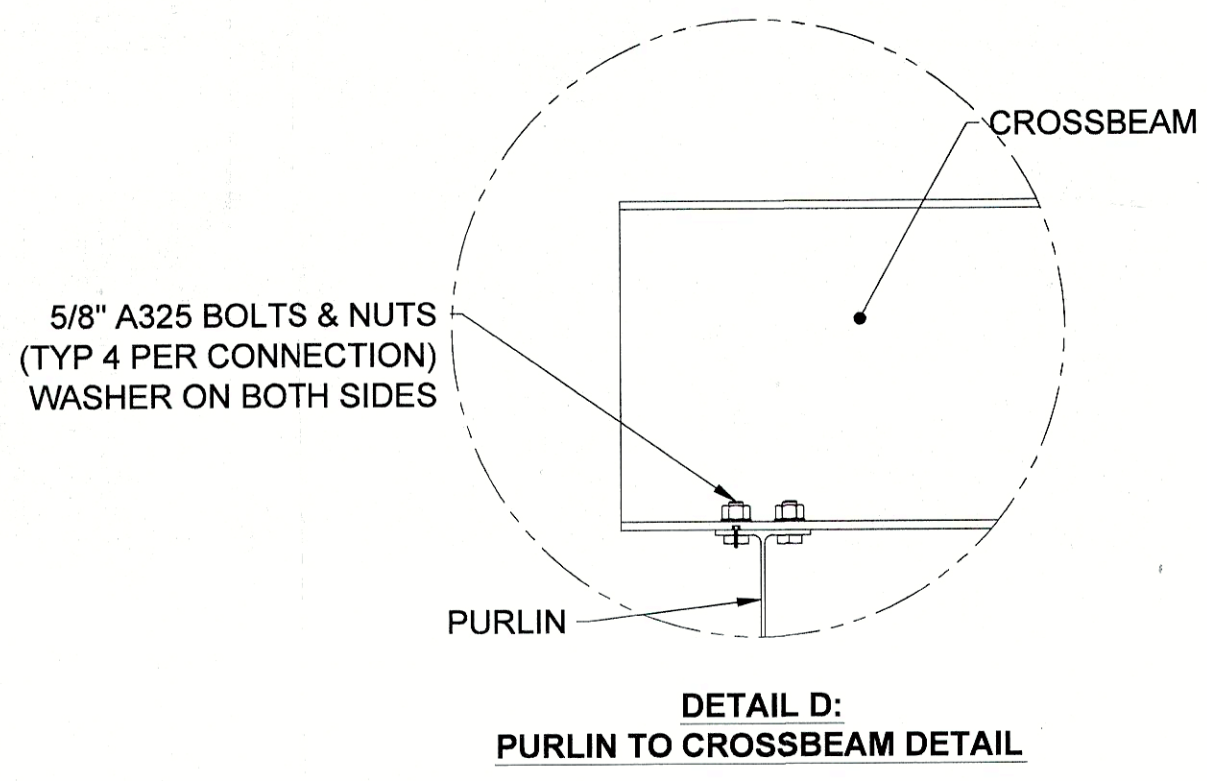
**SCUPPER DETAIL**



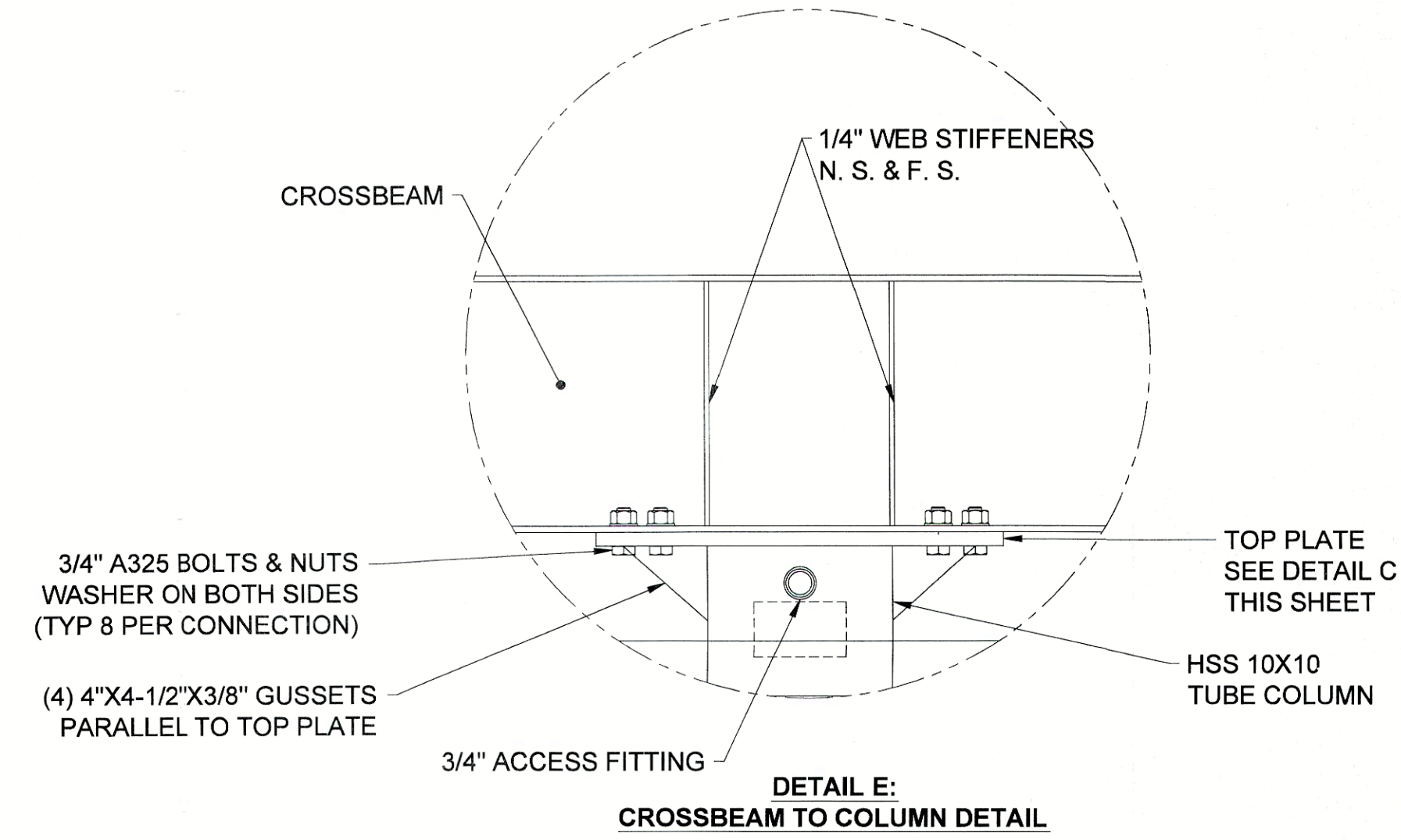
**ANGLE BRACE DETAIL**



**DETAIL C:  
10 X 22X3/4\"/>**



**DETAIL D:  
PURLIN TO CROSSBEAM DETAIL**



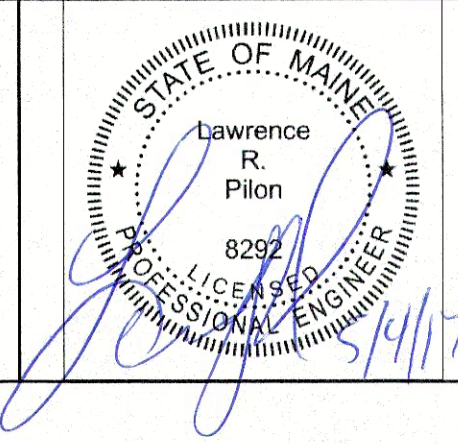
**DETAIL E:  
CROSSBEAM TO COLUMN DETAIL**



AUSTIN MOHAWK & CO., LLC.  
 2175 BEECHGROVE PLACE  
 UTICA, NY 13501  
 PHONE: 315.793.3000  
 TOLL FREE: 1.800.765.3110  
 FAX: 315.793.9370  
 WEBSITE: www.austinmohawk.com  
 E-MAIL: info@austinmohawk.com

**CERTIFIED BY:**

LAWRENCE R. PILON, PE  
 51 MAPLEVIEW DRIVE  
 PENNELLVILLE, NY 13132  
 LICENSE #



**JOB # -**

**QUOTE #  
Q0170490**

**DRAWING #  
17-039**

24'-0" X 24'-0" X 2 COLUMN CANOPY

**CUSTOMER:  
CUMBERLAND FARMS, INC.**

**LOCATION: PORTLAND, ME**

**SCALE: N.T.S. DRAWN BY: DBIII**

**DATE: 04.28.17 SHEET: 3 OF 3**

Notice - Austin Mohawk & Co., LLC claims proprietary rights in the information disclosed on this drawing. It is issued in confidence for engineering information only and may not be used, in whole or in part, to manufacture anything whether or not shown hereon, reproduced or disclosed to anyone without direct written permission from Austin Mohawk LLC