

New PROTO-TYPE LED Pricer cabinet

RX

REV	DATE	DESCRIPTION	INT
A	1.19	added 24" led (actual size) details / del "z" clip (face)	

Sheet 1 of 3



Existing 4'H X 6'W
Main ID

Existing 4'H X 6'W
Single Price Face



Supply & install photocell - price to be always energized-sign (MID) to turn off at deterimed time.

Existing 4'H X 6'W
Main ID

Proposed 4'H X 6'W
Single LED Price Face
see following pages for details

Supports & Retainers to be painted white devflex high performance acrylic 4216 h/p series

Phone: 610.518.5881
Fax: 610.518.5244
E-MAIL: info@prosign.net

251 Boot Rd.
Downingtown, Pa. 19335



THIS DRAWING INCLUDES DATA THAT IS PROPRIETARY INFORMATION OF PRO SIGN COMPANY. IT SHALL NOT BE USED, DUPLICATED OR DISCLOSED IN WHOLE OR PART FOR ANY PURPOSE OTHER THAN TO EVALUATE THIS PROPOSAL... IF A CONTRACT IS AWARDED TO THIS PROPOSER AS A RESULT OF OR IN CONNECTION WITH THE SUBMISSION OF THIS DATA, THE DEFEREE SHALL HAVE THE RIGHT TO USE OR DISCLOSE THE DATA TO THE EXTENT PROVIDED IN THE RESULTING CONTRACT.

© Copyright, Pro Sign Company, 2010

FILE INFO.		Drawing by: T.Kay	
CDR:	X:\Cumberland Farms\Spec\PTRL7991\Design\PTRL7991\LED PRICER\Cumberland 24 in pricer.CDR		
FS:			
EPS:			
CUSTOMERS APPROVAL:		DATE APPROVED:	
W.O. #	PTRL7991	A.M.	
DATE	1.19.10	SALES	



NOTE: COLORS AND PHOTOGRAPHIC REPRESENTATIONS ON THIS DRAWING ARE FOR VISUAL AID ONLY. EXACT COLORS SHOULD BE OBTAINED THROUGH COLOR SWATCHES SUPPLIED UPON REQUEST.

1.1.10

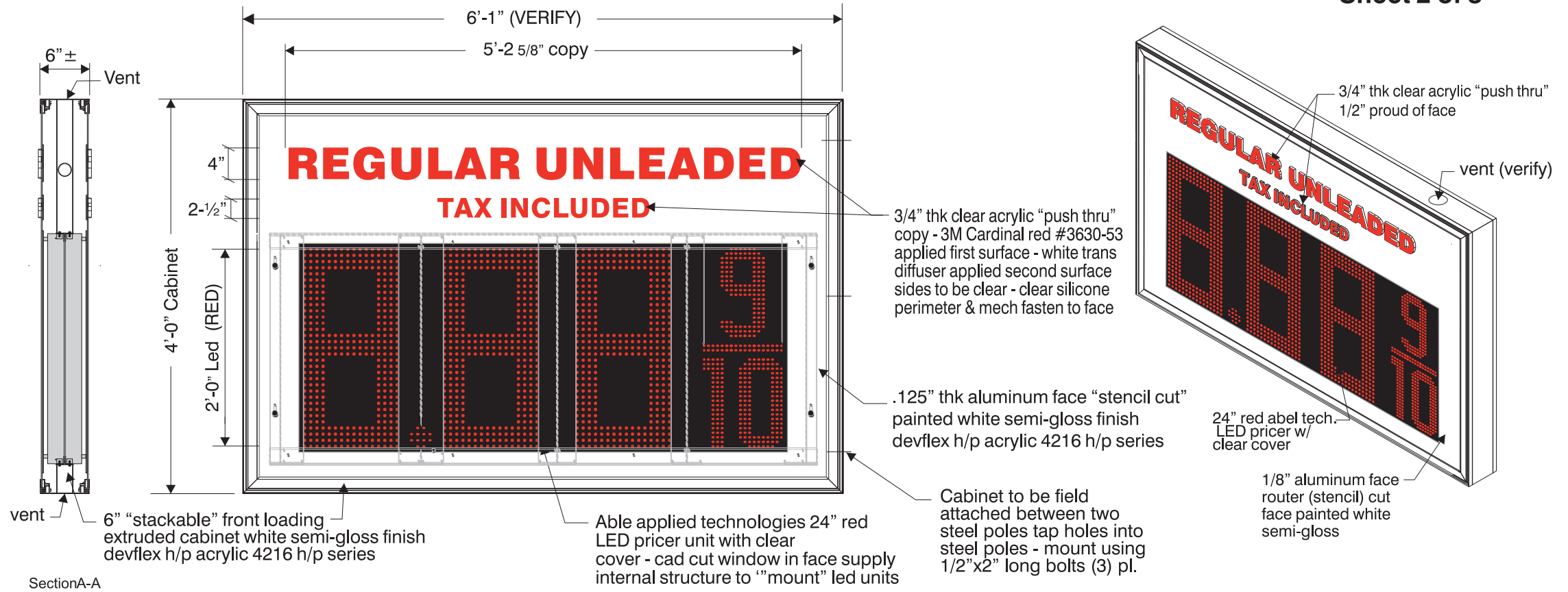
CUSTOMER	Cumberland Farms	JOB NAME	LED pricer spec.	LOCATION	Prototype
----------	------------------	----------	------------------	----------	-----------

New PROTO-TYPE LED Pricer cabinet

RX

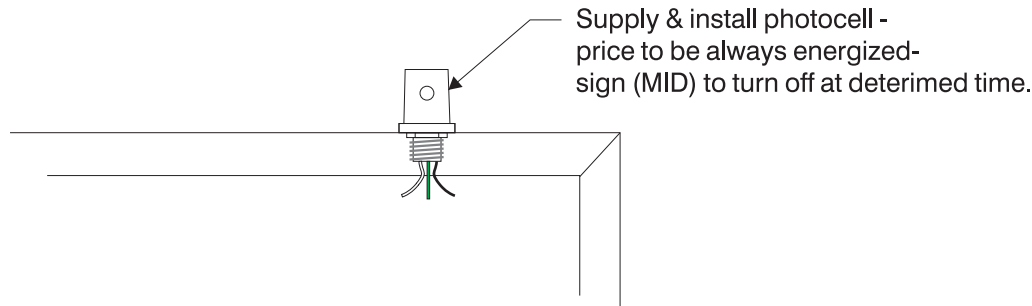
REV	DATE	DESCRIPTION	INT
A	1.19	added 24" led (actual size) details / del "z" clip (face)	

Sheet 2 of 3



Section A-A

Typical Face View - 3/4" = 1'-0"



SIGN SPECIFICATIONS	
TYPE:	Front load cabinet w/ LED
*Fabricate 6" stackable front load cabinet to be field installed between two steel posts - field drill & tap holes in steel poles - *Supply & install new photo-cell on MID cabinet - led to be always energized photo cell to turn MID on/off at determined time *Fabricate .125" thk aluminum face - stencil cut for LED/ push thru copy - paint white semi-gloss finish devflex h/p acrylic 4216 h/p series *Copy: 3/4" thk clear acrylic "push thru" face to be 1/2" proud of face - apply 3m Cardinal red #3630-53 first surface - white diffuser second surface - side to be clear - silicone perimeter & mechanically fasten to face *LED unit to have clear cover *Cabinet & retainers to be painted to match face spec (devflex h/p white semi gloss)	

SIGN SPECIFICATIONS	
TYPE:	24" Red LED pricer
*Quantity: (2) Two per MID sign req'd *Manufacturer: Abel applied technologies MS-240-01 24" red LED units MS-249-01 9/19 red led *Window: *Remote unit for price change *Supply one master & one slave unit.	



3MTM MCSTM Warranty

THIS DRAWING INCLUDES DATA THAT IS PROPRIETARY INFORMATION OF PRO SIGN COMPANY. IT SHALL NOT BE USED, DUPLICATED OR DISCLOSED IN WHOLE OR PART FOR ANY PURPOSE OTHER THAN TO EVALUATE THIS PROPOSAL... IF A CONTRACT IS AWARDED TO THIS PROPOSER AS A RESULT OF OR IN CONNECTION WITH THE SUBMISSION OF THIS DATA, THE DEFEREE SHALL HAVE THE RIGHT TO USE OR DISCLOSE THE DATA TO THE EXTENT PROVIDED IN THE RESULTING CONTRACT.

© Copyright, Pro Sign Company, 2010

FILE INFO.		Drawing by: T.Kay	
CDR:	X:\Cumberland Farms\Spec\PTL7991		
FS:	Design\PTL7991\LED PRICER\Cumberland 24 in pricer.CDR		
EPS:			
CUSTOMERS APPROVAL:		DATE APPROVED:	
W.O. #	PTL7991	A.M.	
DATE	1.19.10	SALES	

NOTE: COLORS AND PHOTOGRAPHIC REPRESENTATIONS ON THIS DRAWING ARE FOR VISUAL AID ONLY. EXACT COLORS SHOULD BE OBTAINED THROUGH COLOR SWATCHES SUPPLIED UPON REQUEST.

1.1.10

CUSTOMER	Cumberland Farms	JOB NAME	LED pricer spec.	LOCATION	Prototype
----------	------------------	----------	------------------	----------	-----------

Phone: 610.518.5881
 Fax: 610.518.5244
 E-MAIL: info@prosign.net

251 Boot Rd.
 Downingtown, Pa. 19335



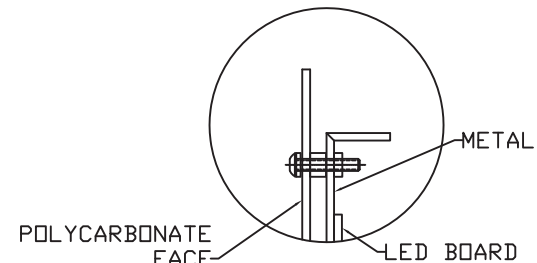
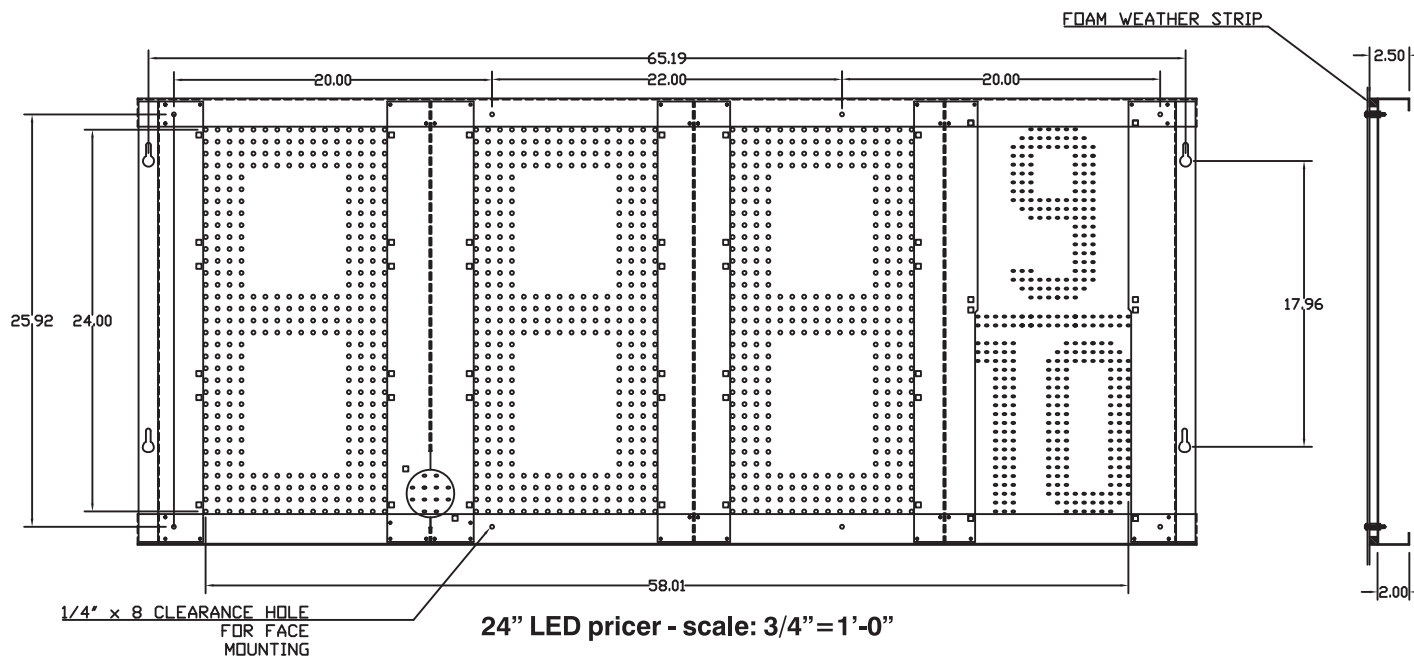
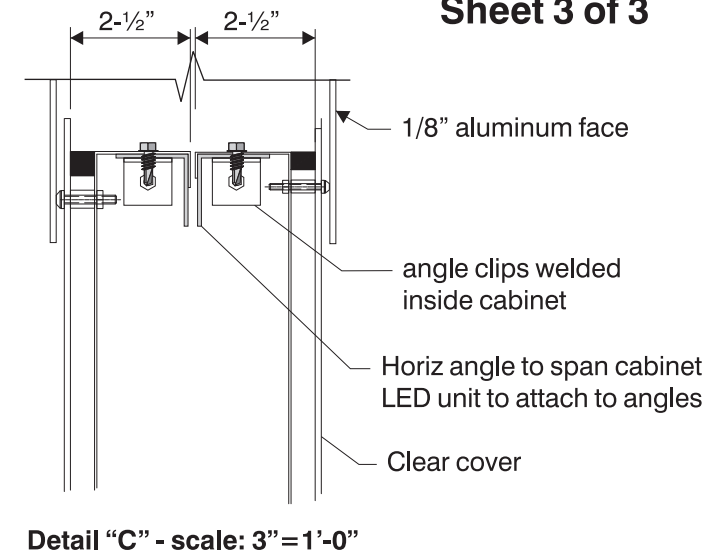
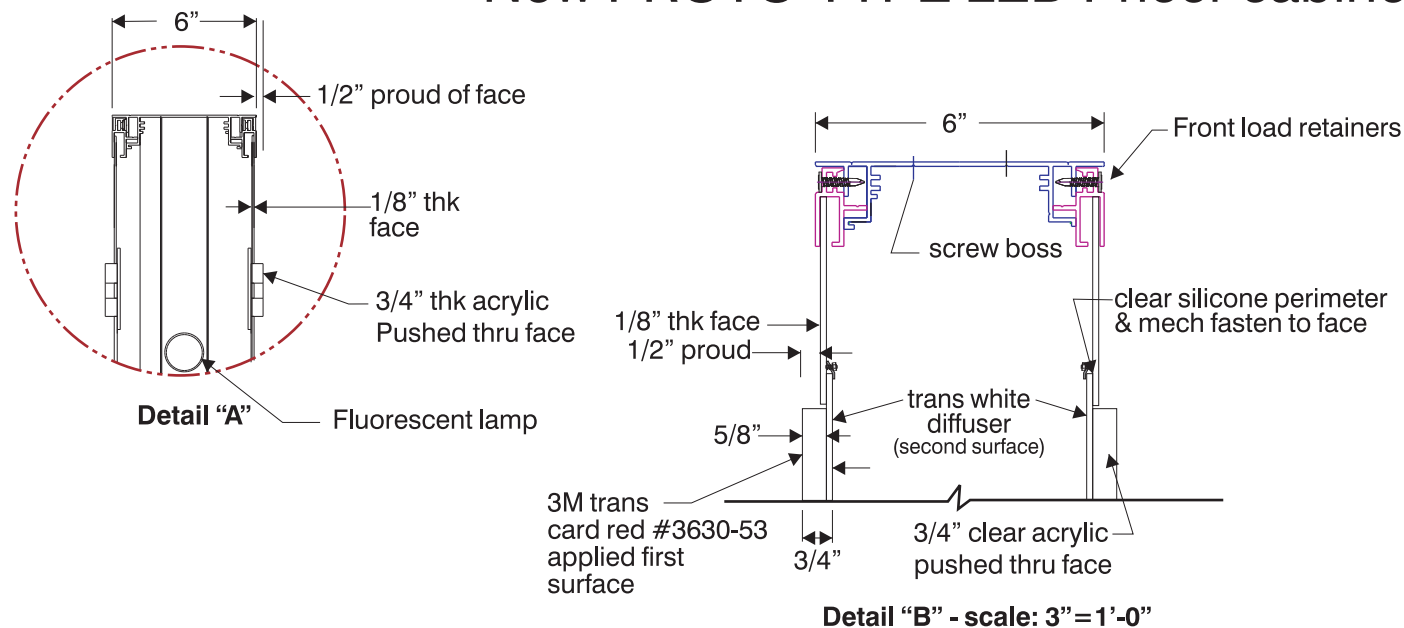
www.prosign.net

New PROTO-TYPE LED Pricer cabinet

RX

REV	DATE	DESCRIPTION	INT
A	1.19	added 24" led (actual size) details / del "z" clip (face)	

Sheet 3 of 3



THIS DRAWING INCLUDES DATA THAT IS PROPRIETARY INFORMATION OF PRO SIGN COMPANY. IT SHALL NOT BE USED, DUPLICATED OR DISCLOSED IN WHOLE OR PART FOR ANY PURPOSE OTHER THAN TO EVALUATE THIS PROPOSAL... IF A CONTRACT IS AWARDED TO THIS PROPOSER AS A RESULT OF OR IN CONNECTION WITH THE SUBMISSION OF THIS DATA, THE DEFEREE SHALL HAVE THE RIGHT TO USE OR DISCLOSE THE DATA TO THE EXTENT PROVIDED IN THE RESULTING CONTRACT.

© Copyright, Pro Sign Company, 2010

FILE INFO.		Drawing by: T.Kay	
CDR:	X:\Cumberland Farms\Spec\PTRL7991\		
FS:	Design\PTRL7991\LED PRICER\Cumberland 24 in pricer.CDR		
EPS:			
CUSTOMERS APPROVAL:		DATE APPROVED:	
W.O. #	PTRL7991	A.M.	
DATE	1.19.10	SALES	

NOTE: COLORS AND PHOTOGRAPHIC REPRESENTATIONS ON THIS DRAWING ARE FOR VISUAL AID ONLY. EXACT COLORS SHOULD BE OBTAINED THROUGH COLOR SWATCHES SUPPLIED UPON REQUEST.



CUSTOMER	Cumberland Farms	JOB NAME	LED pricer spec.	LOCATION	Prototype
----------	------------------	----------	------------------	----------	-----------

Phone: 610.518.5881
Fax: 610.518.5244
E-MAIL: info@prosign.net

251 Boot Rd.
Downingtown, Pa. 19335



www.prosign.net