

20-INCH DIA. INSPECTION COVER

4'-0"

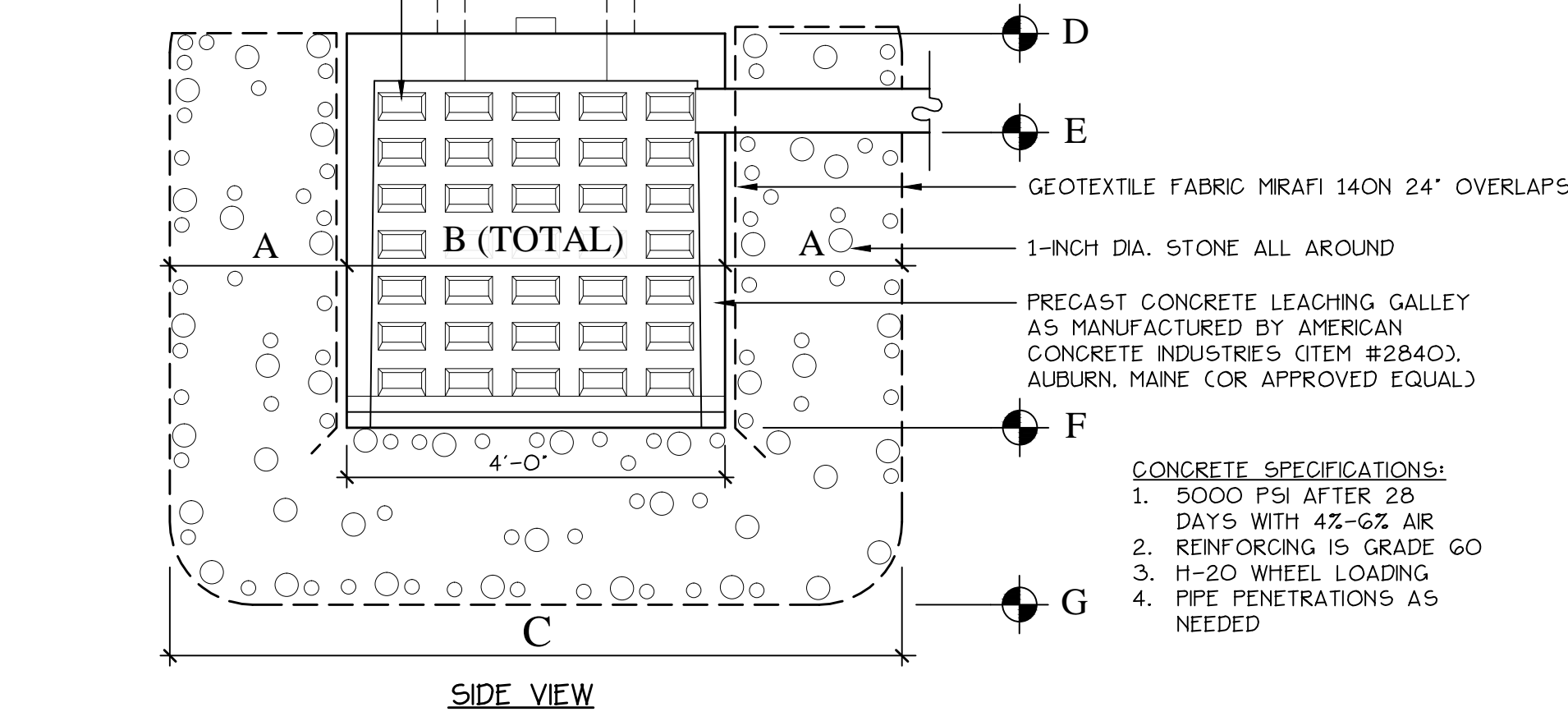
4'-2"

FOR DRYWELL: USE PRE-CAST CONCRETE GRADE RINGS AS NEEDED AND CAST IRON FRAME AND GRATE AS SHOWN ON DETAIL G, SHEET L6.2

FOR INSPECTION PORTS: USE PRE-CAST CONCRETE GRADE RINGS AS NEEDED AND CAST IRON FRAME AND MANHOLE COVER AS SHOWN ON DETAIL 4, SHEET L6.2

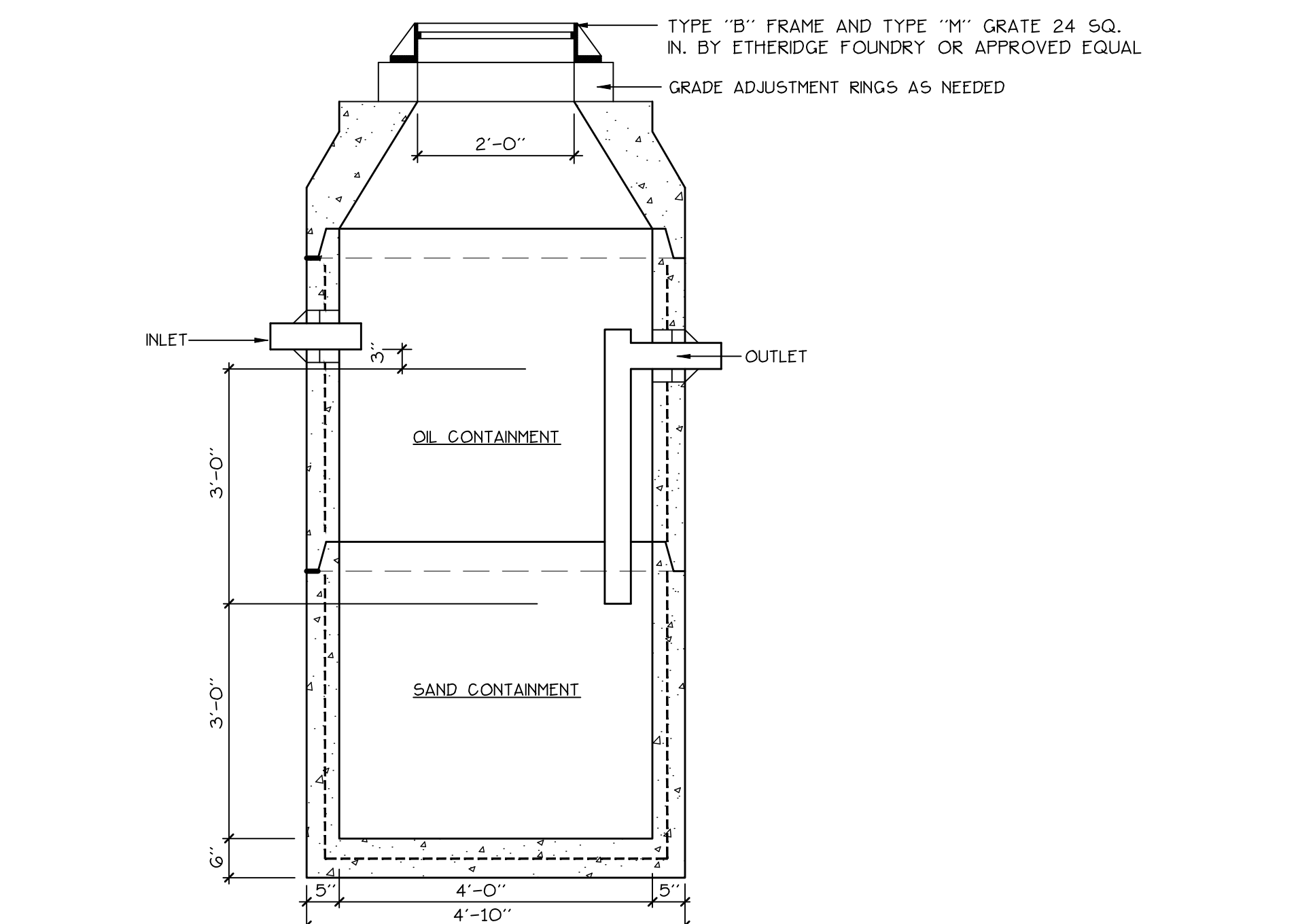
(34) 2" X 5" TAPERED OPENINGS EQUALLY SPACED

SEE GRADING PLAN FOR FINISH GRADE AND CONDITION



	A	B	C	D	E	F	G
LG 1+2	2.5'	4'+4'	13'	122.10	120.60	117.93	115.96
LG 3+4	2.5'	4'+4'	13'	120.39	118.89	116.22	114.22
LG 5+6	2.5'	4'+4'	13'	122.13	120.63	117.96	115.96
LG 8,9,10+11	3.0'	4'+4'+4'+4'	22'	119.81	118.31	115.64	112.64
LG 13+14	2.5'	4'+4'	13'	117.03	115.53	112.86	110.86
LG 15,16+17	3.0'	4'+4'+4'	18'	116.58	115.08	112.46	109.00
DW1	2.5'	4'	9'	124.90	123.90	120.74	117.74
DW2	2.5'	4'	9'	124.90	123.90	120.74	117.74
DW3	2.5'	4'	9'	124.90	123.90	120.74	117.74

1 L6.2 PRECAST CONCRETE LEACHING GALLEY / DRY WELL
NOT TO SCALE



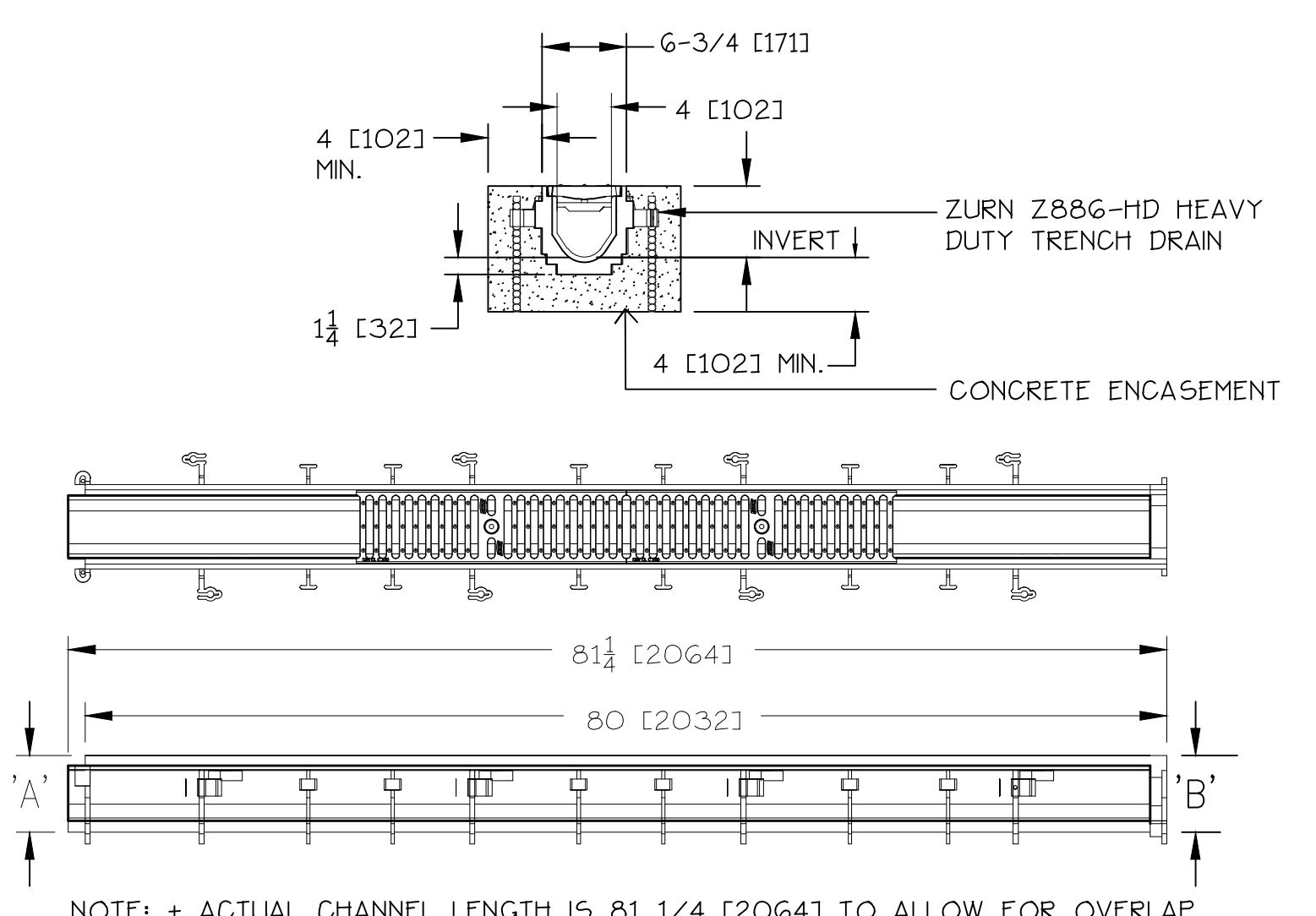
TYPE "B" FRAME AND TYPE "M" GRATE 24 SQ. IN. BY ETHERIDGE FOUNDRY OR APPROVED EQUAL

GRADE ADJUSTMENT RINGS AS NEEDED

PRECAST NOTES:

- CONCRETE 4000 PSI IN 28 DAYS.
- CONCRETE SECTION IS FIBER REINFORCED CONCRETE.
- DESIGNED TO CONFORM TO A.S.T.M. C-478.
- ALL MANHOLE MATERIAL MEETS H-20 LOADING REQUIREMENTS.
- JONTS SEALED WITH BUTYL RUBBER JOINT SEALANT AASHTO M-19
- ALL PIPE BOOT TO HAVE FLEXIBLE WATER TIGHT BOOT AS A.S.T.M. C-923
- EXTERIOR TO RECEIVE DAMP PROOF COATING.
- SEE PROJECT MANUAL FOR CAST IRON FRAMES AND GRATES.
- PRODUCT ITEM #C-11) MANUFACTURED BY PRECAST CONCRETE PRODUCTS ON MAINE, INC. (207-724-1628) OR APPROVED EQUAL.

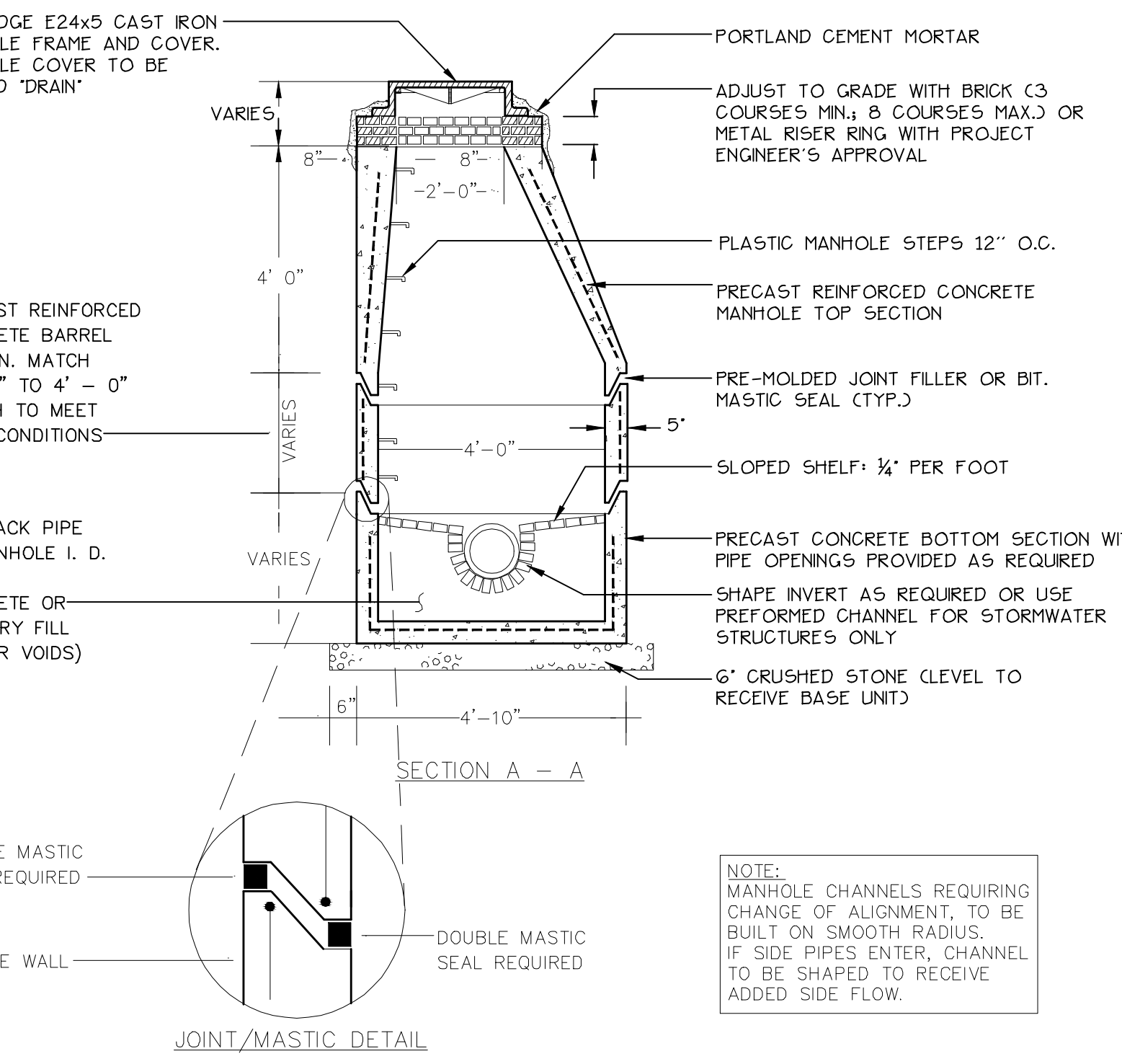
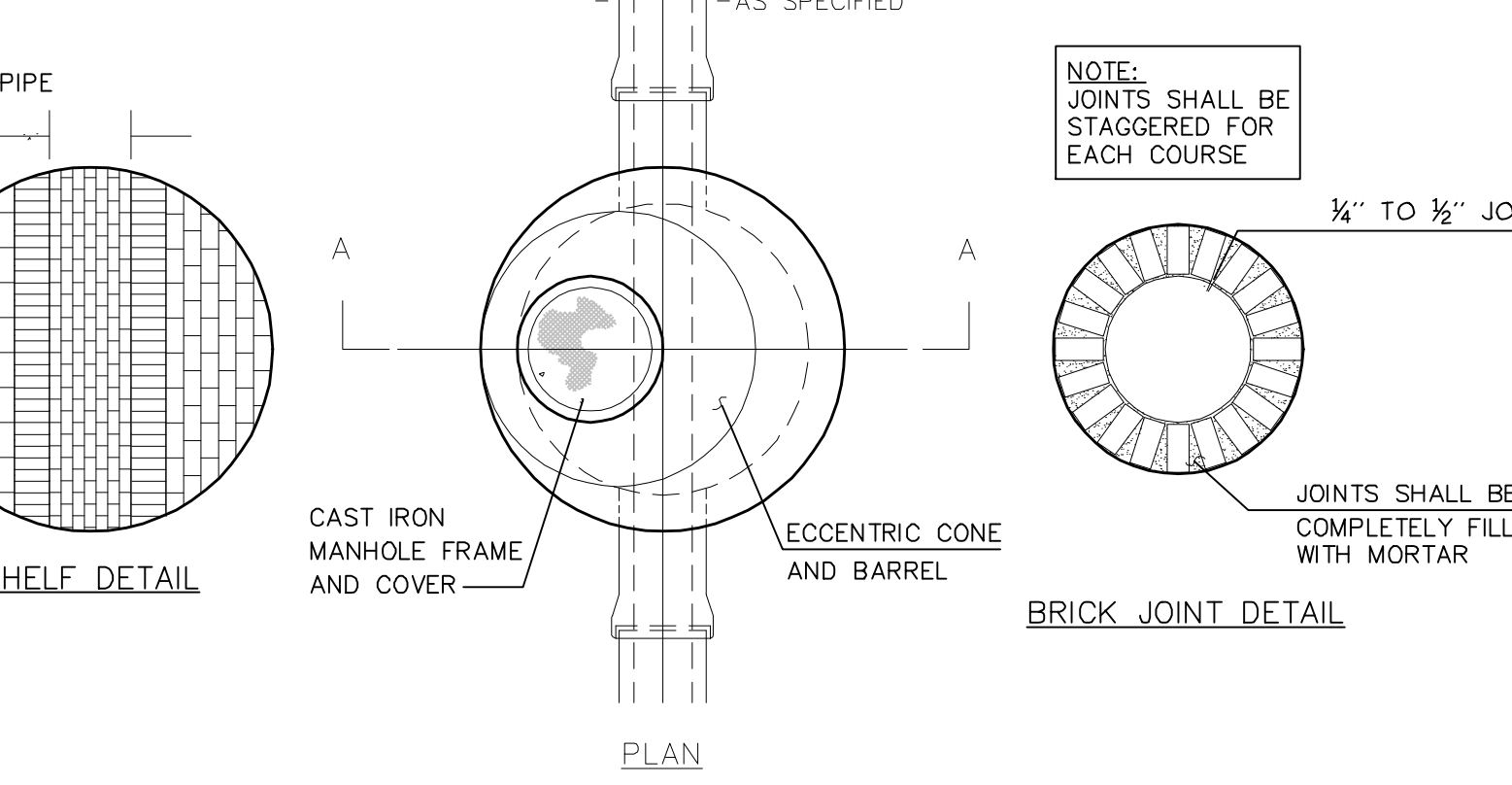
2 L6.2 PRECAST OIL AND WATER SEPARATOR
NOT TO SCALE



3 L6.2 TRENCH DRAIN DETAIL
NOT TO SCALE

GENERAL NOTES FOR MANHOLES AND CATCH BASINS

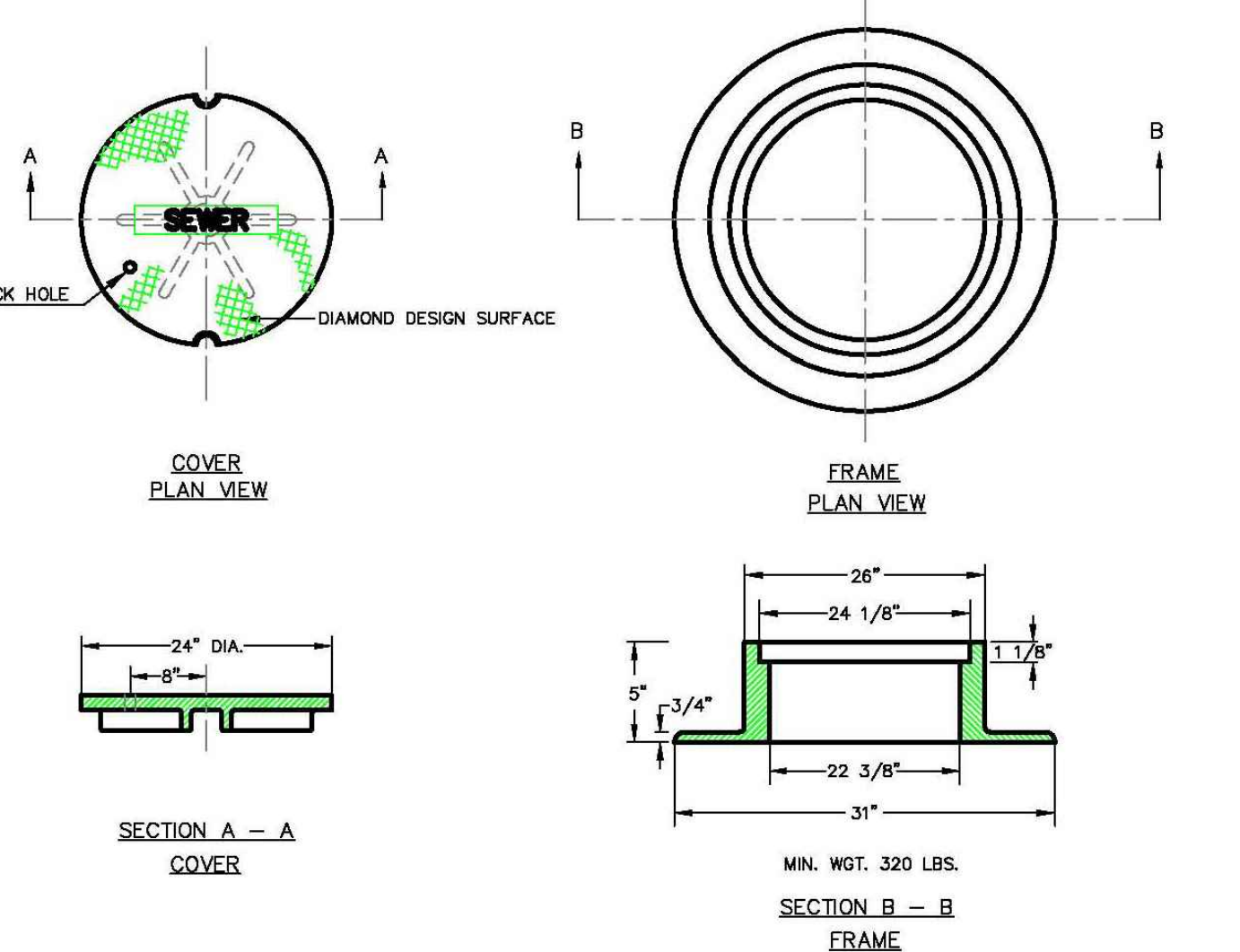
- ALL CONCRETE SHALL HAVE A MINIMUM ULTIMATE COMPRESSIVE STRENGTH OF 4000 PSI PER SQ. INCH AT THE END OF 28 DAYS, UNLESS OTHERWISE NOTED.
- MANHOLES MAY BE CONSTRUCTED OF PRECAST REINFORCED CONCRETE, OR CAST IN PLACE.
- PRECAST REINFORCED CONCRETE BARREL MANUFACTURED PER ASTM SPEC. C-478.
- ALL STORM AND SEWER MANHOLE COVERS SHALL BE SOLID AND SHALL HAVE ONE 7/8" DIAMETER DRILLED PICK HOLE LOCATED 8" FROM THE CENTER OF THE COVER.
- ALL SANITARY MANHOLE COVERS SHALL HAVE "SEWER" CAST INTO THE COVER. ALL STORMWATER/DRAIN MANHOLE COVERS SHALL HAVE "DRAIN" CAST INTO THE COVER.
- ALL SANITARY MANHOLE COVERS SHALL BE ETHERIDGE 24" OR APPROVED EQUAL.
- SEWER BRICK SHALL CONFORM TO ASTM SPEC. DESIGNATE ON C-32-83, GRADE MA AND SA.
- ALL SANITARY MANHOLES SHALL HAVE A WATERPROOFING COATING APPLIED TO THE EXTERIOR SURFACE.
- CATCH BASIN FRAMES FOR TYPE A4 CATCH BASIN CURB INLETS SHALL BE ETHERIDGE ORSA OR APPROVED EQUAL.
- CASTINGS SHALL CONFORM TO ASTM DESIGNATION A48-CLASS 35.
- EXISTING MANHOLES, CATCH BASINS, FRAMES, AND COVERS SHALL BE SALVAGED BY THE CONTRACTOR AND SHALL REMAIN THE PROPERTY OF THE CITY OF PORTLAND.
- ALL CATCH BASIN OUTLETS SHALL BE INSTALLED WITH A CATCH TRAP - SEE FIGURE 10-09.



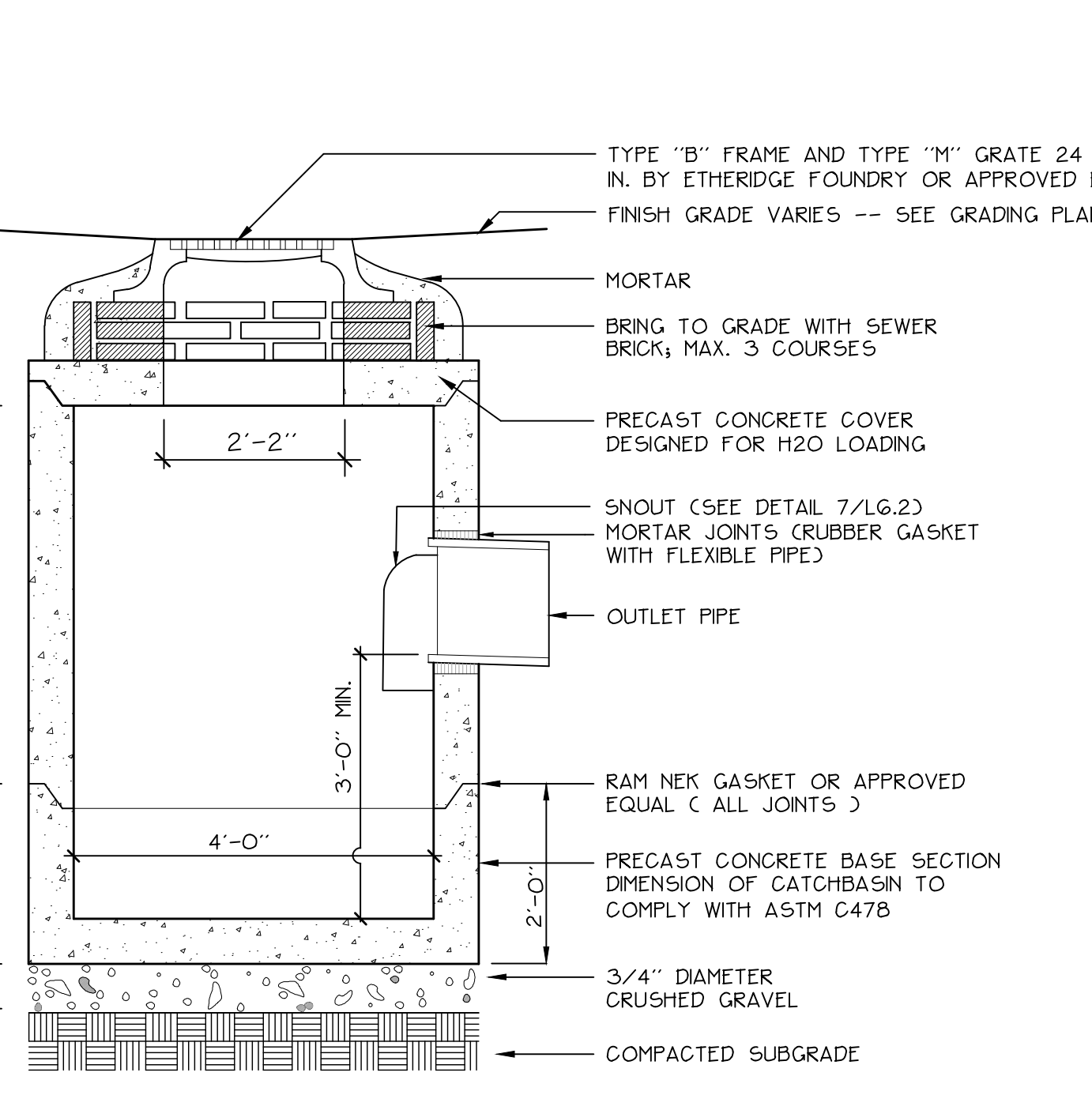
4 L6.2 PRE-CAST CONCRETE MANHOLE
NOT TO SCALE

NOTE:
ALL MANHOLE COVERS SHALL BE SOLID AND SHALL HAVE ONE 7/8" DIAMETER DRILLED PICK HOLE, LOCATED 8" FROM THE CENTER OF THE COVER.

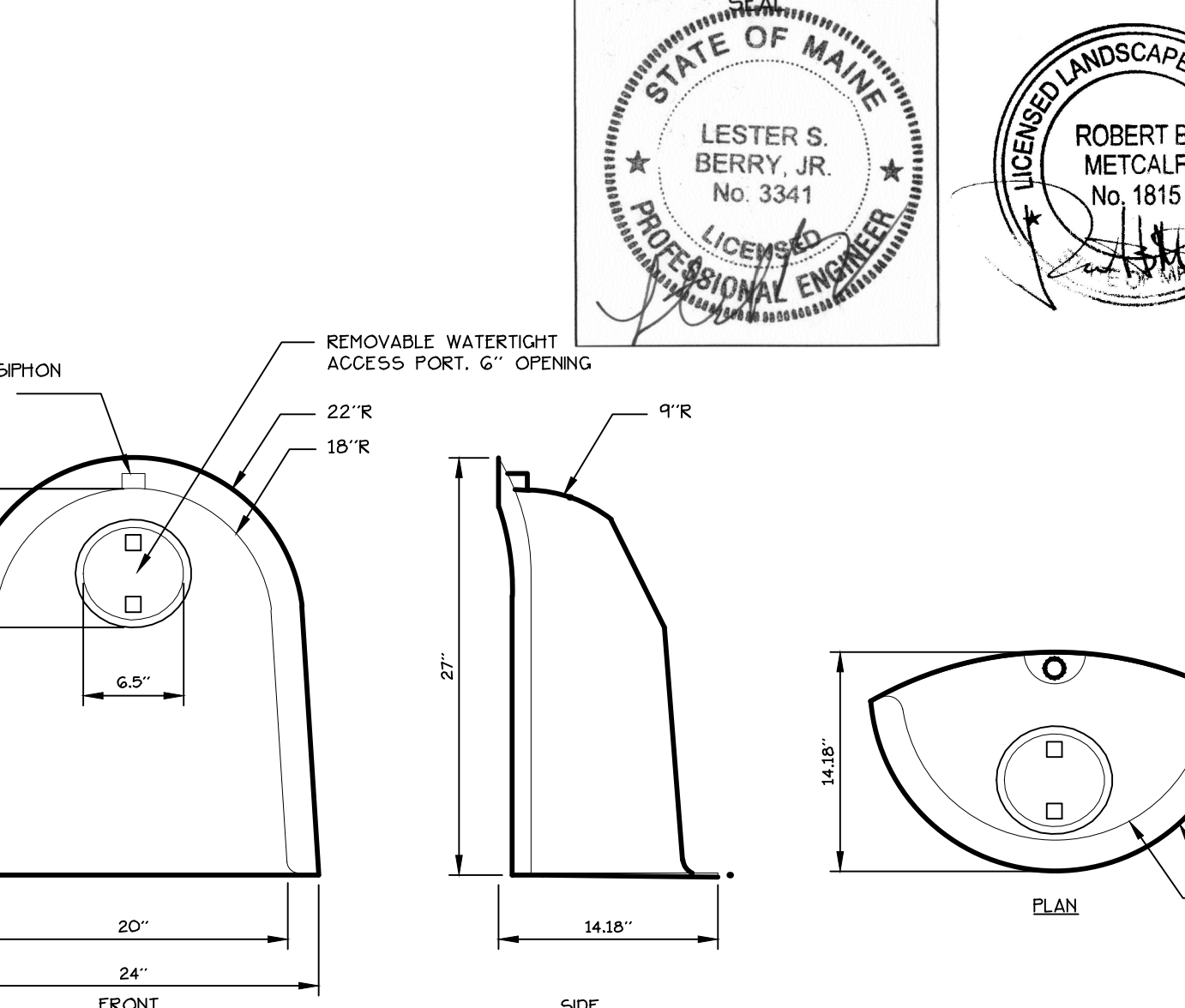
ALL SANITARY MANHOLE COVERS SHALL HAVE "SEWER" CAST INTO THE COVER. ALL STORMWATER/DRAIN MANHOLE COVERS SHALL HAVE "DRAIN" CAST INTO THE COVER.



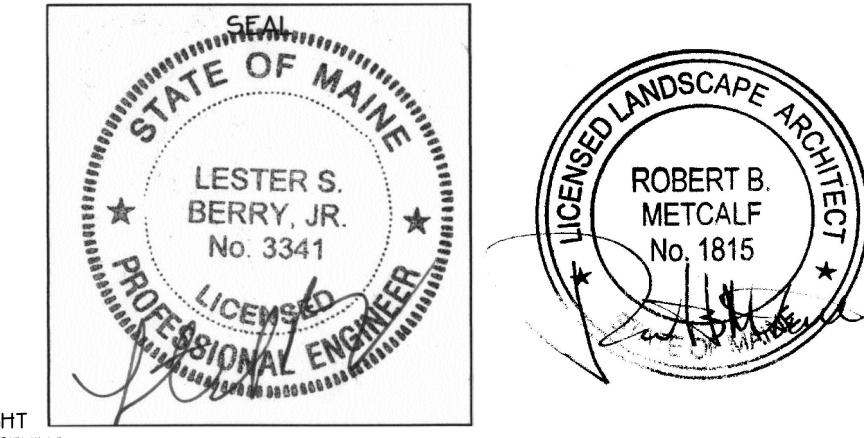
5 L6.2 CAST IRON MANHOLE COVER AND FRAME
NOT TO SCALE



6 L6.2 PRECAST CONCRETE CATCHBASIN
NOT TO SCALE



7 L6.2 THE SNOOT CALL CATCHBASIN DRAINAGE STRUCTURES
NOT TO SCALE



Prepared For:
Owner:
Home For The Aged
777 Stevens Avenue
Portland, Maine 04103
Tel.: 207-797-7710

Applicant:
The Park Danforth
777 Stevens Avenue
Portland, Maine 04103
Tel.: 207-797-7710

Prepared By:
MITCHELL & ASSOCIATES
Landscape Architects
The Staples School
70 Center Street
Portland, Maine 04101
Tel.: 207-774-4427

The Park Danforth
Portland, Maine
777 Stevens Avenue

Date: OCTOBER 17, 2014

Issued For: PERMITTING

Revisions:
NOV. 25, 2014: Per City of Portland Staff Review Comments
JAN. 5, 2015: Per City of Portland Staff Review Comments
APR. 10, 2015: Amended Site Plan and Subdivision Plan

Reproduction or reuse of this document without the expressed written consent of Mitchell & Associates is prohibited. © 2015

Title: SITE DETAILS

Scale: AS SHOWN

North: Sheet No.: **L6.2**