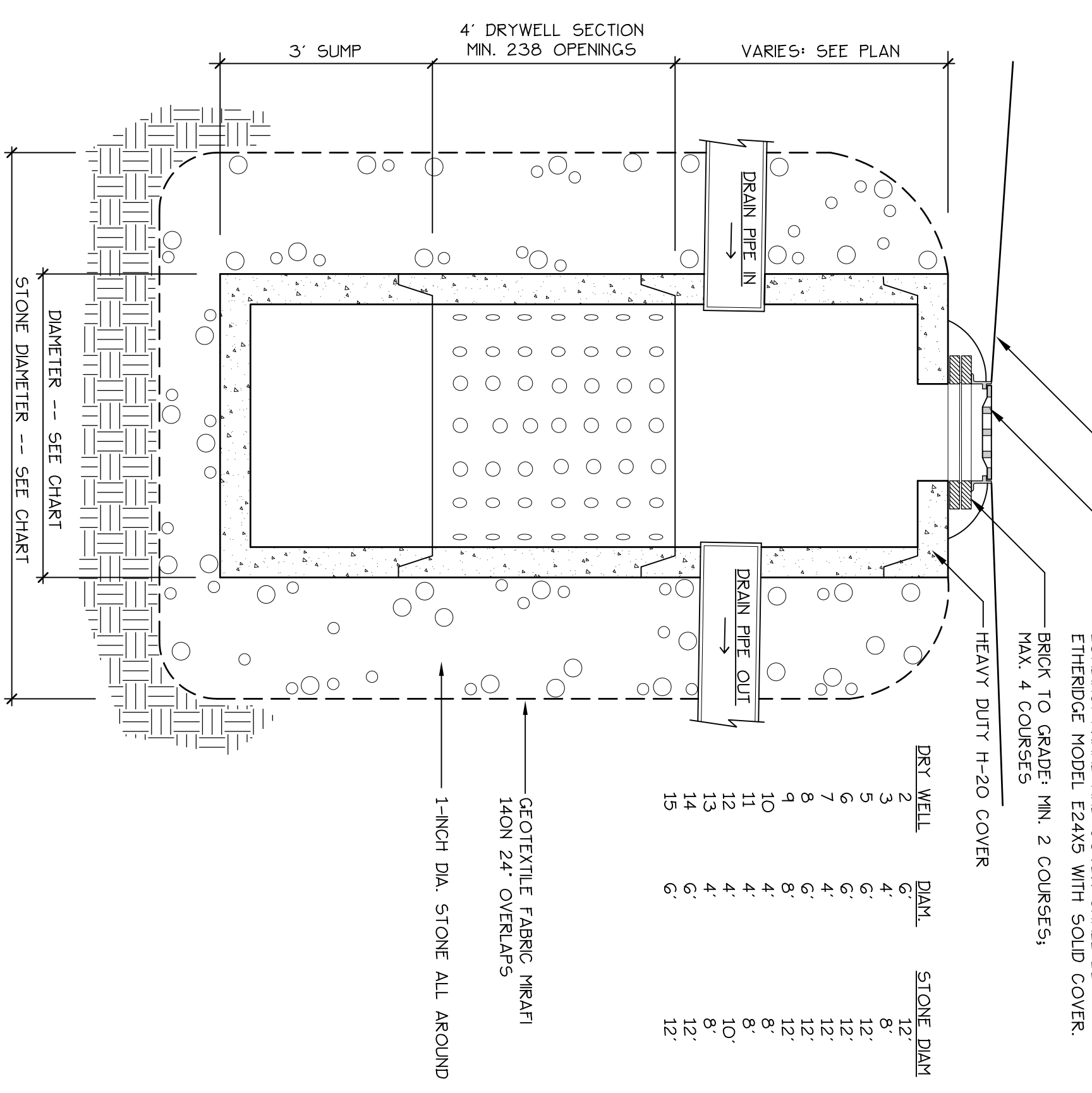
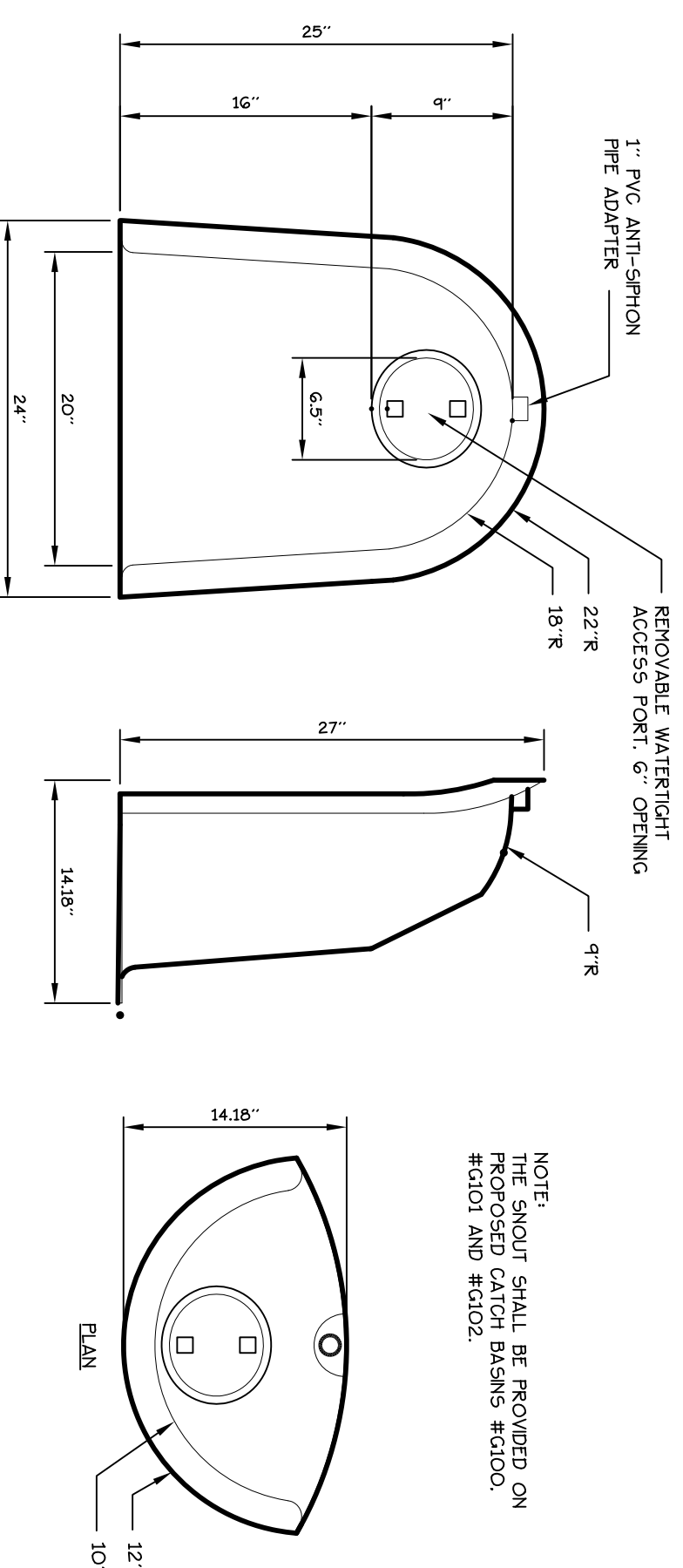


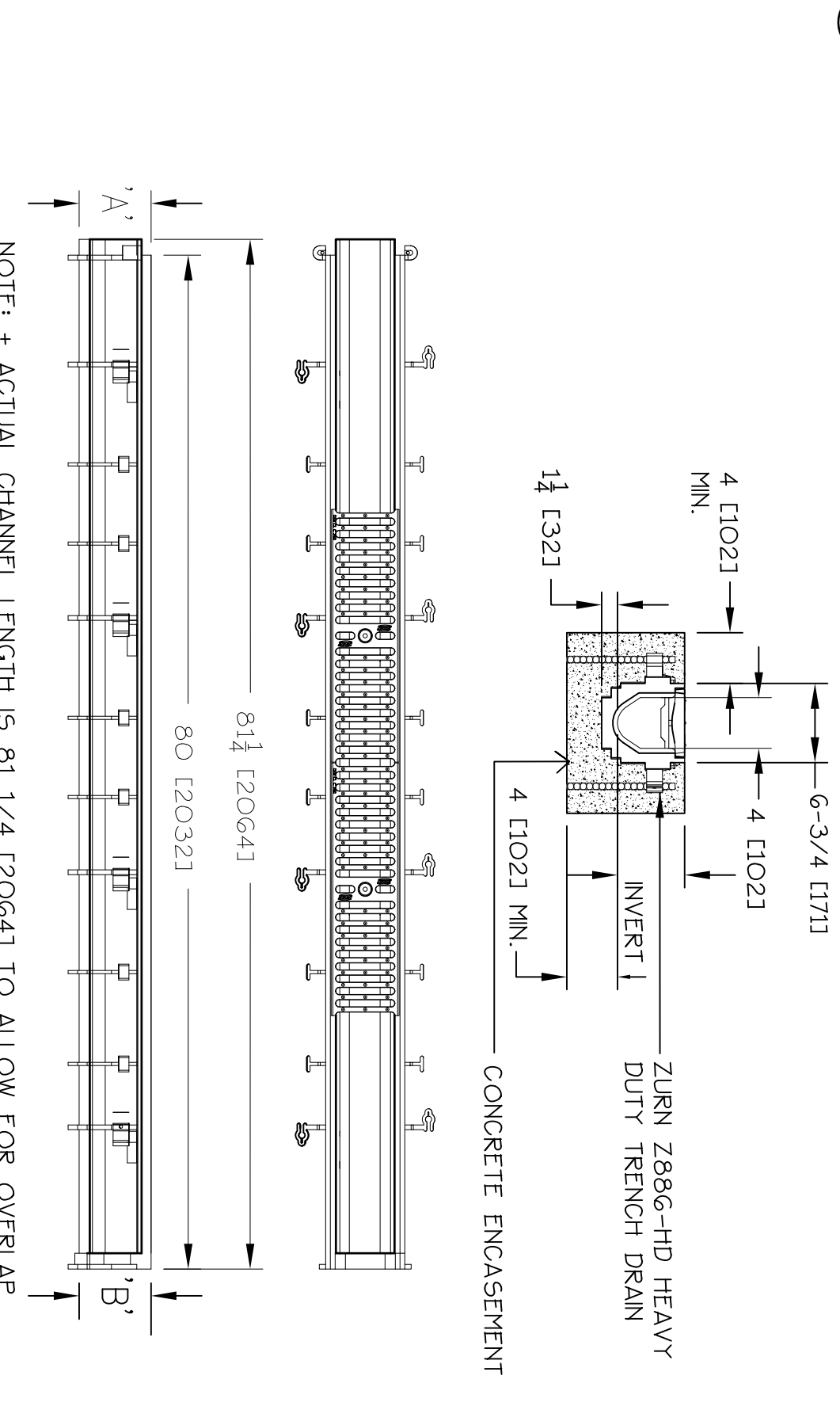
1. DRYWELL AS MANUFACTURED BY SUPERIOR CONCRETE OR APPROVED EQUAL.
2. CONCRETE: 4000 PSI AFTER 28 DAYS.
3. MIN. REINFORCING: RING GAG/10X10 W/M #5 BAR IN COVER.
4. 1/4" RISER TO BE REINFORCED FOR H-20 LOADING.
5. SUMP TO BE SOLID CONCRETE SECTION RIM.
6. SEE GRADING PLAN FOR PIPE INVERTS.



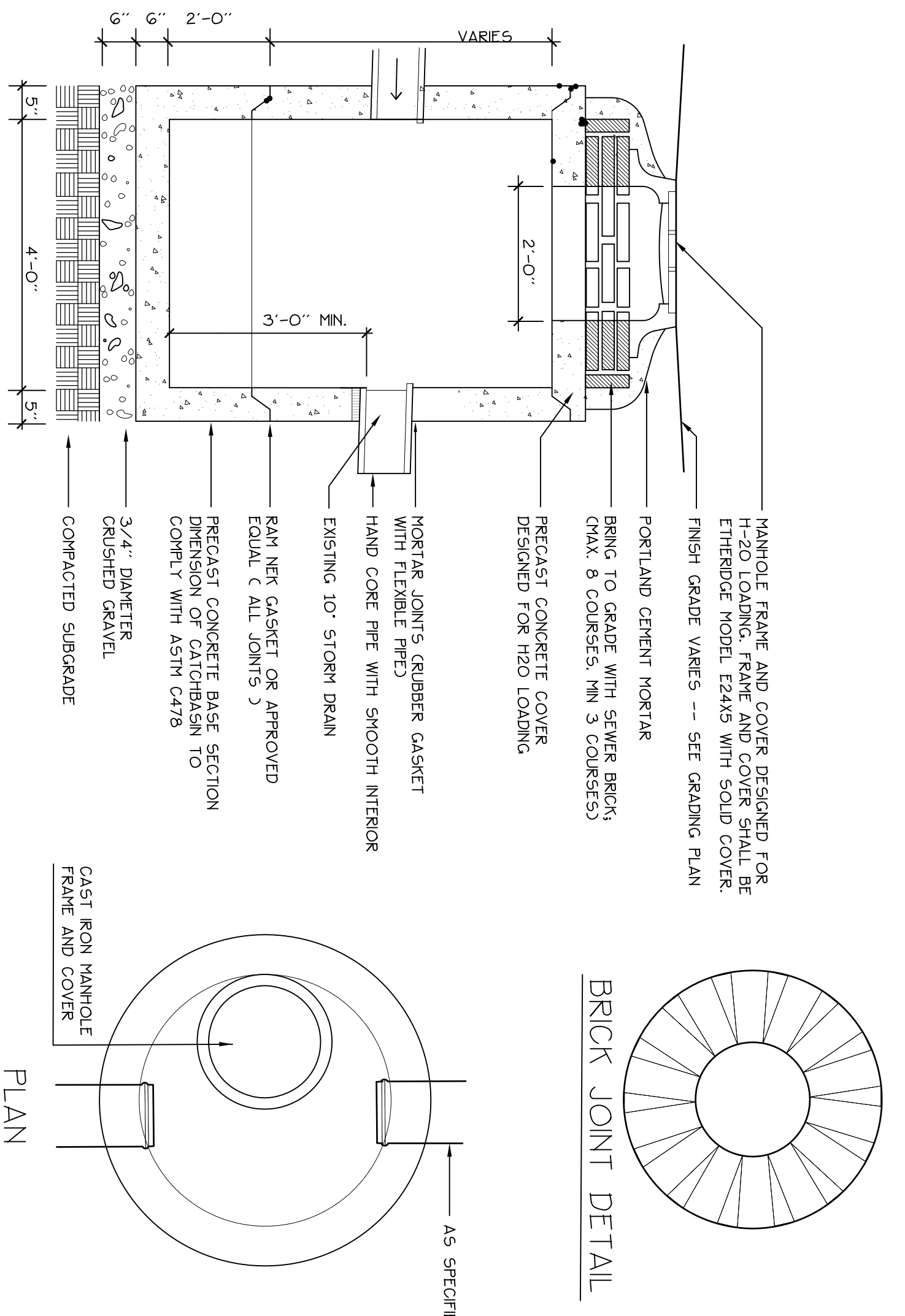
1 PRECAST CONCRETE DRYWELL
NOT TO SCALE



2 THE SNOOT CAT GARAGE DRAINAGE STRUCTURES
NOT TO SCALE



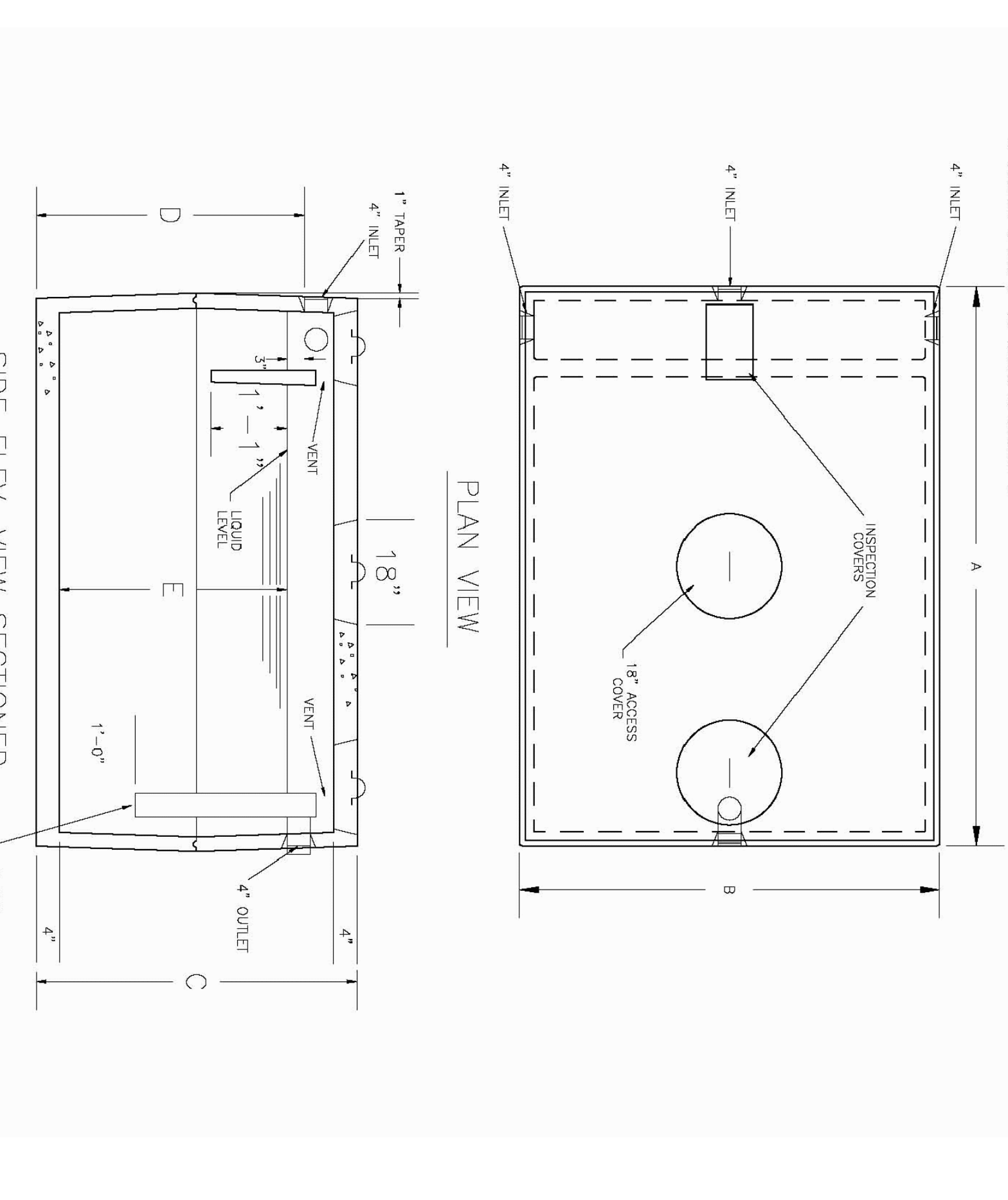
3 TRENCH DRAIN DETAIL
NOT TO SCALE



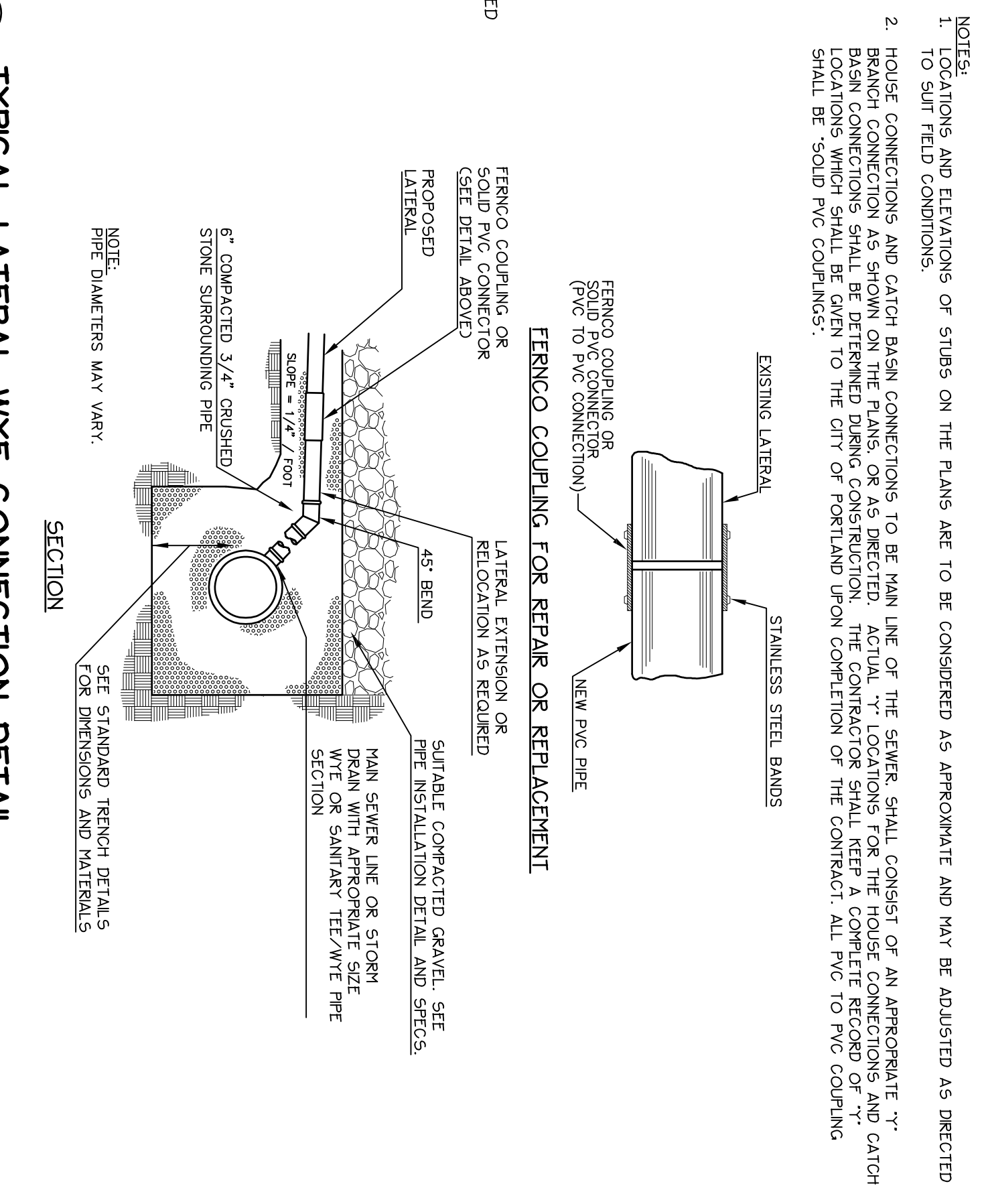
4 PRECAST CONCRETE MANHOLE STORM
NOT TO SCALE

DESIGN DATA & GENERAL NOTES

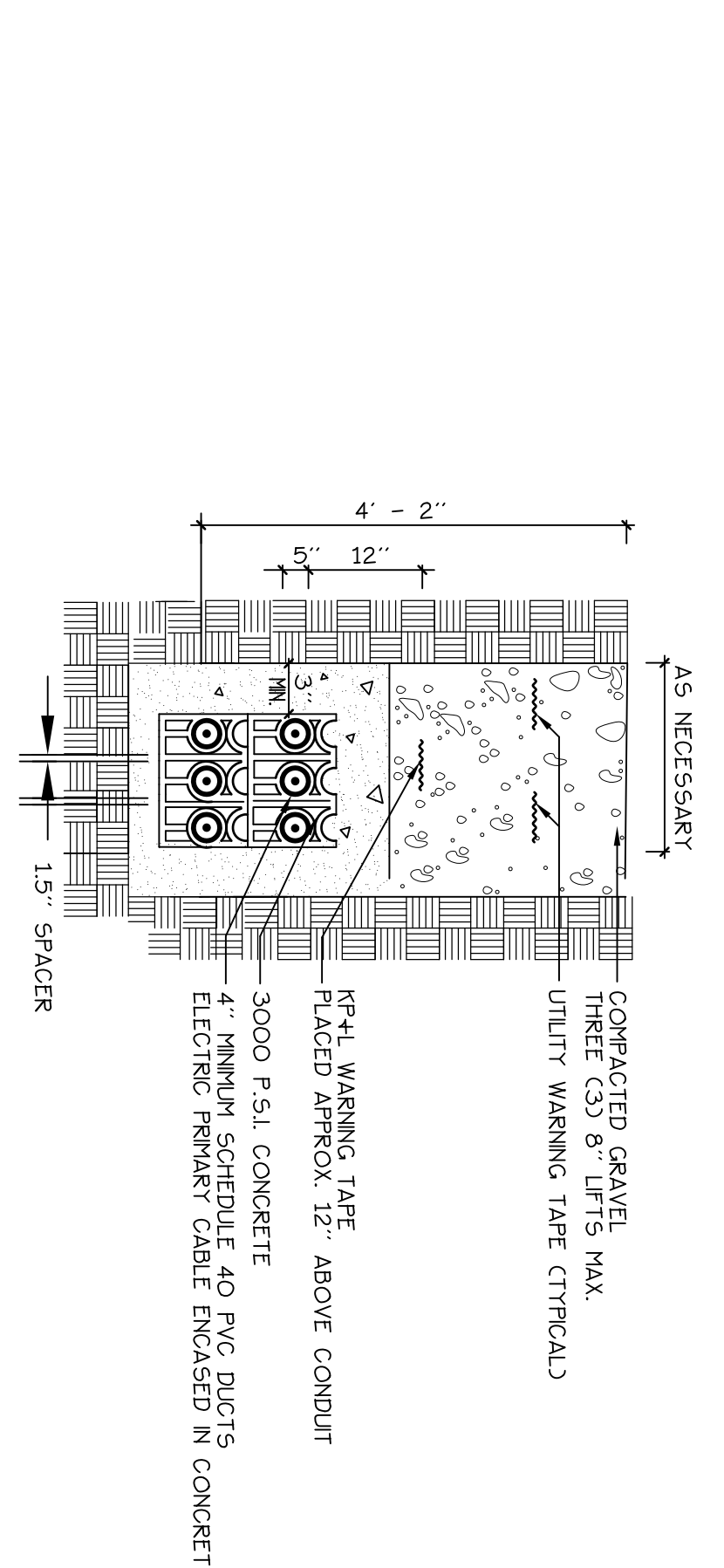
ITEM NO.	REQ. NO.	QTY	UNIT	DESCRIPTION	APPROX. WEIGHT
1	1	1	EA	CONCRETE: 4,000 PSI @ 28 DAYS	
2	1	1	EA	CONCRETE: 4,000 PSI @ 28 DAYS	
3	1	1	EA	CONCRETE: 4,000 PSI @ 28 DAYS	
4	1	1	EA	CONCRETE: 4,000 PSI @ 28 DAYS	
5	1	1	EA	CONCRETE: 4,000 PSI @ 28 DAYS	
6	1	1	EA	CONCRETE: 4,000 PSI @ 28 DAYS	
7	1	1	EA	CONCRETE: 4,000 PSI @ 28 DAYS	
8	1	1	EA	CONCRETE: 4,000 PSI @ 28 DAYS	
9	1	1	EA	CONCRETE: 4,000 PSI @ 28 DAYS	
10	1	1	EA	CONCRETE: 4,000 PSI @ 28 DAYS	
11	1	1	EA	CONCRETE: 4,000 PSI @ 28 DAYS	
12	1	1	EA	CONCRETE: 4,000 PSI @ 28 DAYS	
13	1	1	EA	CONCRETE: 4,000 PSI @ 28 DAYS	
14	1	1	EA	CONCRETE: 4,000 PSI @ 28 DAYS	
15	1	1	EA	CONCRETE: 4,000 PSI @ 28 DAYS	
16	1	1	EA	CONCRETE: 4,000 PSI @ 28 DAYS	
17	1	1	EA	CONCRETE: 4,000 PSI @ 28 DAYS	
18	1	1	EA	CONCRETE: 4,000 PSI @ 28 DAYS	
19	1	1	EA	CONCRETE: 4,000 PSI @ 28 DAYS	
20	1	1	EA	CONCRETE: 4,000 PSI @ 28 DAYS	



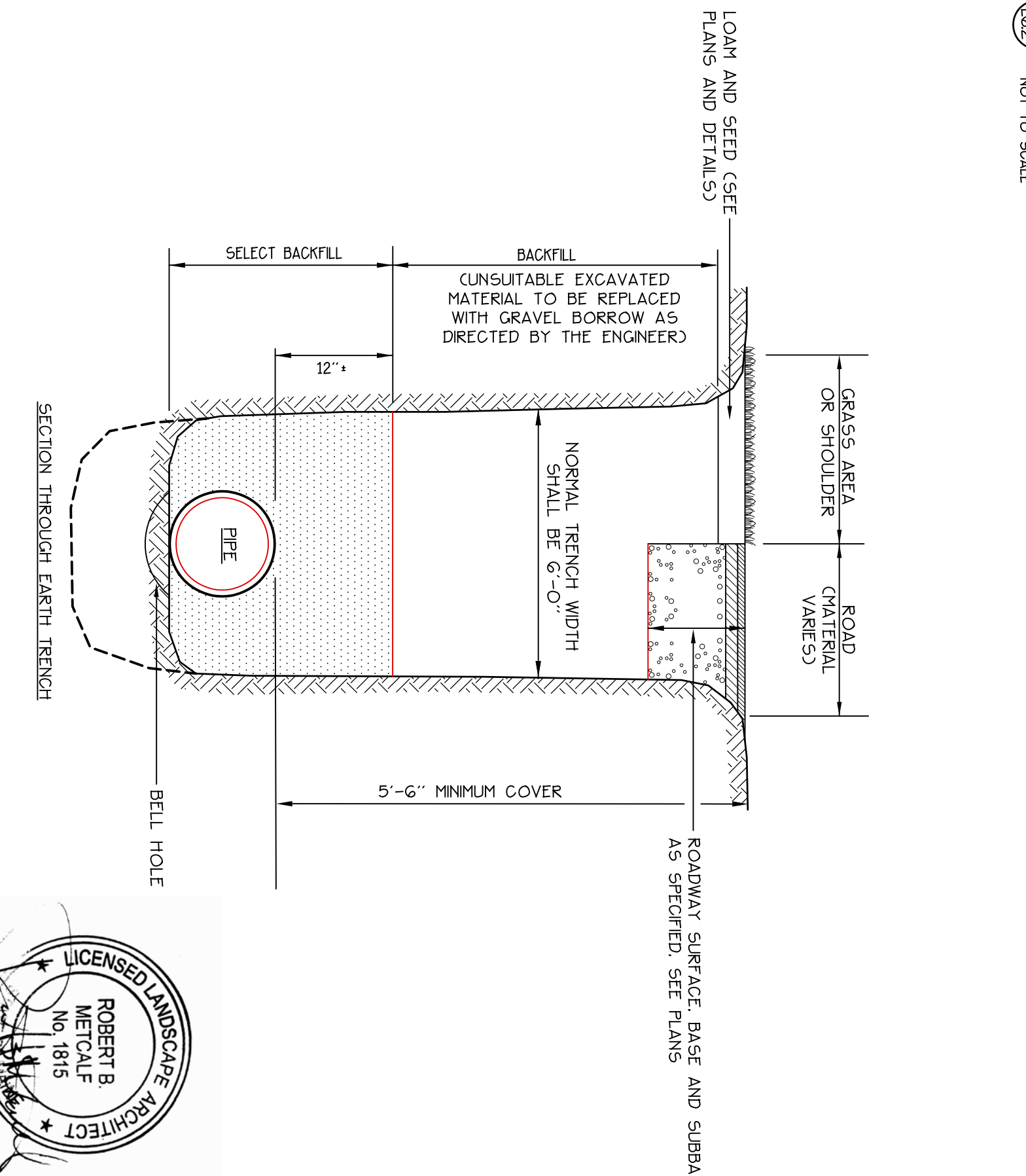
5 PRE-CAST CONCRETE GREASE TRAP
NOT TO SCALE



6 TYPICAL LATERAL WYE CONNECTION DETAIL
NOT TO SCALE



7 ELECTRIC TRENCH
NOT TO SCALE



8 PORTLAND WATER DISTRICT PIPE TRENCH DETAIL
NOT TO SCALE

Prepared For:
Owner: The City of Portland
177 Stevens Avenue
Portland, Maine 04103
Tel: 207-797-7710

Applicant:
The Park Danforth
777 Stevens Avenue
Portland, Maine 04103
Tel: 207-797-7710

Prepared By:
MITCHELL & ASSOCIATES
177 Stevens Avenue
Portland, Maine 04101
Tel: 207-714-4427

The Park Danforth

777 Stevens Avenue Portland, Maine

Date: OCTOBER 17, 2014

Issued For: PERMITTING

Revisions:

Title: SITE DETAILS

Scale: AS SHOWN

North:

Sheet No.: L6.2



Reproduction or reuse of this document without the expressed written consent of Mitchell & A, © 2014.