

SHOP DRAWING TRANSMITTAL

**The Park Danforth**

Portland ME

**Project No.:** 13-059-00

**Division:** 23 81 26

**Transmit To:**

Mark Donovan  
PC Construction  
131 Presumpscot Street  
Portland ME 04103

**Submission No.:** 48

**Version:** A

**CM Reference No.:** 23 81 26-001

**Copies:**

Ron Norton Construction Management Consultin  
Andrew Pires PC Construction  
Kemp Carey PC Construction

Submittal No.	Qty.	Description
48 - 1	1	Split System Air Conditioners: Product Data

**Comments:**

**Note: Refer to attached submittals for review comments and requirements.**

## SHOP DRAWING REVIEW COVER SHEET

Project Name, Project #: Park Danforth : 14018

Date Received: 12/21/15

Date Due: 1/4/15

AEI Shop Drawing #: 12

Contractor Shop Drawing #: 238126-001

AEI Project Manager: Ian MacDonald

Contractor: PC Construction

Item Description: Split System Air Conditioner

Spec. Section Number(s): 238126

email : Date Returned **12-23-15**

\\AEFile\cad\Projects\2014\14018 ~ Park Danforth\40 Construction\Shops\Electronic Submittals from contractor\12 Split System Air Conditioner\12 Split System Air Conditioner Review Letter.doc

CHECKING IS ONLY FOR GENERAL CONFORMANCE WITH THE DESIGN CONCEPT OF THE PROJECT AND COMPLIANCE WITH THE INFORMATION GIVEN IN THE CONTRACT DOCUMENTS. **CONTRACTOR IS RESPONSIBLE FOR QUANTITIES;** DIMENSIONS TO BE CONFIRMED AND CORRELATED AT THE JOB SITE; INFORMATION THAT PERTAINS SOLELY TO THE FABRICATION PROCESS FOR TECHNIQUES OF CONSTRUCTION; COORDINATION OF THE WORK OF ALL TRADES; AND PERFORMING ALL WORK IN A SAFE AND SATISFACTORY MANNER. THIS REVIEW DOES NOT MODIFY CONTRACTOR'S DUTY TO COMPLY WITH THE CONTRACT DOCUMENTS.

\_\_\_ REVIEWED

REVIEWED W/NOTES, *No Resubmission* Required

\_\_\_ REVIEWED W/NOTES, **Resubmission Required** ---pending, may be needed for apartment thermostats

\_\_\_ NOT ACCEPTABLE

Approved per attached e-mail from Lisa Noonan / Park Danforth

NOTES:

**OBTAIN EFFICIENCY  
MAINE REBATES AS  
PER 230500.**

**Thermostat substitution for apartments must be approved by Owner. The submitted thermostat is acceptable to Allied, but the Owner may prefer the specified thermostat - simpler and more familiar to senior residents.**

**Thermostat specified  
in section 230900**



**Submitted thermostat,  
(copied from Page 19)**



Reviewed by: Allied Engineering, Inc.

Reviewer: IM



Garret Bertolini  
 131 Presumpscot St  
 Portland, ME 04103  
 T: 207.874.2323  
 F: 207.874.2727  
 E: gbertolini@pcconstruction.com

**Project No. 14776**  
**The Park Danforth Expansion & Renovations**  
 789 Stevens Ave  
 Portland, ME 04103

**CONSTRUCTION**

**Submittal 23 81 26-001**  
**Review Cycle 1**

Title	<b>Split-System Air-Conditioners - Product Data</b>		
Type	<b>Product Data</b>		
Sent Date	<b>19-Dec-2015</b>	Spec Section	<b>23 81 26</b>
Due Date	<b>31-Dec-2015</b>	Spec Sub-Section	

**Sent To For Review**

Scott Timmons  
 Lavallee Brensinger Architects

**Responsible Subcontractor / Vendor**

Michael Leighton  
 Titan Mechanical, Inc.

**Item Being Submitted**

Split-System Air-Conditioners - Product Data

Submittal also contains T/Stats, which are specified under 23 09 00-2.4-E. T/Stats are not as specified. A/E - please approve.

Additional comments within.

**Contractor's Review Stamp**

**Architect's Review Stamp**

I hereby certify that I have examined the enclosed submittal(s) and have determined and verified all field measurements, construction criteria, materials, catalog numbers, and similar data, coordinated the submittal(s) with other submissions and the work of other trades and contractors and, to the best of my knowledge and belief, the enclosed submittal(s) is/are in full compliance with the Contract requirements, except as noted above.

Signature

Date

12/19/2015

Name

Andrew Pires  
 PC Construction Company

This approval does not release subcontractor / vendor from the contractual responsibilities.



**Titan Mechanical, Inc.** *Design Build Engineering • Mechanical Contracting • Service*

232 Riverside Industrial Parkway • Portland, ME 04103 • Ph 207.878.5223 • Fax 207.878.5235

P.O. Box 103 • Newport, ME 04953 • Ph 207.368.2503 • Fax 207.368.2395

**SUBMITTAL S – 14**

Project Name: Park Danforth  
Project Location: Portland, Maine  
Project Number: 15 - 785  
General Contractor: P C Construction Company  
Sub-Contractor: Titan Mechanical Inc.  
Submittal Supplied By: F.W.Webb  
Item: Split System  
Specification Section: 23 81 26 / 2.1 A.1.  
Reviewed By: Michael Leighton  
Date: 12 / 4 / 15  
Initials: M J L

\_\_\_\_\_ This Submittal contains variations from Contract Documents

  X  \_\_\_\_\_ This Submittal does not contain variations from Contract Documents



# F W WEBB COMPANY

150 POSTAL SERVICE WAY  
SOUTH PORTLAND MAINE

## Package Cover Sheet

Created 12/3/2015 10:47:04 AM

### PROJECT DETAILS

<b>Project Name:</b>	THE PARK DANFORTH	<b>Submitted By:</b>	F W WEBB CO
<b>Project Reference:</b>	409156709789990912	<b>Project Owner:</b>	
		<b>Submitted To:</b>	WARREN MECANICAL

### QUOTE DETAILS

<b>Quote Name:</b>	THE PARK DANFORTH	<b>Quote Notes:</b>	
<b>Revision:</b>	1		
<b>Quote Description:</b>	DUCTLESS SPLIT EQUIPMENT		

### PRODUCT FILES INCLUDED IN THIS PACKAGE

REFERENCE	SUBMITTAL SHEETS	INSTALLATION MANUAL	OPERATION MANUAL	GUIDE SPECS	PRODUCT BROCHURE	REVIT DRAWING	CAD DRAWING	PRODUCT FLYER
FTXS09LVJURXS09 LVJU	✓							
FTXS12LVJURXS12 LVJU	✓							
FTXS30LVJURKS30 LVJU	✓							
DACA-TS1-1	✓							
2MXS18NMVJU	✓							
3MXS24NMVJU	✓							
4MXS36NMVJU	✓							
CTXS07LVJU	✓							
FTXS09LVJU	✓							
FTXS12LVJU	✓							
FTXS15LVJU	✓							
FFQ09LVJU	✓							
FFQ12LVJU	✓							
FFQ15LVJU	✓							
BRC1E73	✓							
BRC1E72RMF	✓							

**An RMX48LVJU and four 1-ton cassettes are being ADDED for the Bisto Kitchen, as per an upcoming Supplemental Instruction. This multi split will provide kitchen cooling - required due to the deletion of MUA-1.**

CONFIRM

M/N	DESCRIPTION	COUNT	DESIGNATION											SUBMITTAL PAGE			
RXS09LVJU	HP DUCTLESS 9K 22.3S OUTDOOR	58	CU-1														3-6
FTXS09LVJU	HP HI WALL DUCTLESS 9K	58	AC-1														
RXS12LVJU	HP DUCTLESS 12K 20.7S OUTDOOR	6	CU-2														7-10
FTXS12LVJU	HP HI WALL DUCTLESS 12K	6	AC-2														
RXS30LVJU	HP SKYAIR DUCTLESS 30K 19.3S OUTDR	2	CU-E														11-14
FTXS30LVJU	A/H SKYAIR HI WALL 30K	2	AC-E														11-14
DACA-TS1-1	TSTAT ENVI	81	TSTAT 1 THERMOSTAT FOR ALL WALL UITS											15-21			
2MXS18GVJU	HP MULTI-DCTLSS 2PORT 18K	1	CU-3														22-24
4MXS36NMVJU	HP MULTI-DCTLSS 4PORT 36K	11	CU-5	CU-6	CU-7	CU-8	CU-9	CU-10	CU-11	CU-12	CU-14	CU-15	CU-16				25-27
3MXS24NMVJU	HP MULTI-DCTLSS 3PORT 24K	2	CU-4	CU-13													28-30
CTXS07LVJU	HP HI WALL DUCTLESS 7K	3	3B	16B	16C												31-33
FTXS09LVJU	HP HI WALL DUCTLESS 9K	8	7D	8A	8B	8C	8D	13B	14A	16D							34-36
FTXS12LVJU	HP HI WALL DUCTLESS 12K	13	9C	9D	10A	10B	10C	10D	13C								37-39
FTXS15LVJU	HP HI WALL DUCTLESS 15K	2	7C	13A													40-42
FFQ09LVJU	INDR UNT 9MBTU CSSETT	15	4C	3A	5B	5C	5D	7A	7B	11B	14B	14C	14D				43-45
			15A	15C	15D	16A											
FFQ12LVJU	INDR UNT 12MBTU CSSETT	8	5A	6B	6C	11A	11A	12A	12B	15B							46-48
FFQ15LVJU	INDR UNT 15MBTU CSSETT	6	4A	4B	6A	9A	9B	12C									49-51
BRC1E73	RMT CTRLR FOR CEILING CASSETTES	29	THERMOSTAT FOR CEILING CASSETTES											52-54			
BRC1E72RMF	#BRC1E72 FACE DECAL	29	FACE PLATE TO SIMPLIFY THERMOSTAT FOR CEILING CASSETTES											55			

Missing AC-D for Equipment Room 132A:  
-M/N RZR24PVJV - 24K Outside  
-M/N FXQZ4PVJV - 24K Ceiling Suspended

11C

contractor

PARK DANFORTH MINI SPLIT COUNT FOR REFERENCE. PLEASE VERIFY COUNT

ROOM	CU-1	CU-2	CU-E
137		1	
149		1	
1103	1		
1105	1		
1107	1		
1108	1		
1109	1		
1110	1		
1111	1		
1112	1		
1200	1		
1201	1		
1202	1		
1203	1		
1205	1		
1206	1		
1207	1		
1208	1		
1209	1		
1210	1		
1211	1		
1212		1	
1300	1		
1301	1		
1302	1		
1303	1		
1304	1		
1305	1		
1306	1		
1307	1		
1308	1		
1309	1		
1310	1		
1311	1		
1312		1	
	31	4	0

ROOM	CU-1	CU-2	CU-E
1400	1		
1401	1		
1401	1		
1402	1		
1403	1		
1404	1		
1404	1		
1405	1		
1406	1		
1407	1		
1407	1		
1408	1		
1409	1		
1410	1		
1411	1		
1412		1	
1500	1		
1501	1		
1502	1		
1503	1		
1504	1		
1505	1		
1506	1		
1507	1		
1509	1		
1511	1		
1512		1	
1513	1		
1514	1		
AC-E			2
SUBTOTAL	27	2	2
COLUMN 1 SUBTOTAL	31	4	0
TOTAL ON QUOTE	58	6	2

Counts not reviewed



## Submittal Data Sheet

0.75-Ton Wall Mounted Unit - FTXS09LVJURXS09LVJU

Project: THE PARK DANFORTH

Submitted by: David Chadwick of F W WEBB CO on 12/3/2015

Submitted to: WARREN MECANICAL

Tags: AC-1 CU-1

## FEATURES

- Intelligent eye occupancy sensor
- Weekly timer for programmable comfort
- Low ambient heat operation down to 0° F

## BENEFITS

- Quiet operation
- 12 Year limited parts warranty with online registration
- 5 Year limited parts warranty for commercial applications

## INDOOR UNIT



## OUTDOOR UNIT







## Submittal Data Sheet

0.75-Ton Wall Mounted Unit - FTXS09LVJURXS09LVJU

Project: THE PARK DANFORTH

Submitted by: David Chadwick of F W WEBB CO on 12/3/2015

Submitted to: WARREN MECANICAL

Tags: AC-1 CU-1

### SYSTEM PERFORMANCE

Indoor Unit Model No.	FTXS09LVJU	Indoor Unit Name:	FTXS09LVJU
Outdoor Unit Model No.	RXS09LVJU	Outdoor Unit Name:	RXS09LVJU
Rated Cooling Capacity (Btu/hr):	9,000	Rated Cooling Conditions:	Indoor (°F DB/WB): 80 / 67 Ambient (°F DB/WB): 95 / 75
Sensible Capacity (Btu/hr):	8,100	Rated Piping Length(ft):	25
Max/Min Cooling Capacity (Btu/hr):	10,600 / 4,400	Rated Height Difference (ft):	49.20
Cooling Input Power (kW):	0.590	Rated Heating Conditions:	Indoor (°F DB/WB): 70 / 70 Ambient (°F DB/WB): 47 / 43
SEER (Non-Ducted/Ducted):	24.50 /	HSPF (Non-Ducted/Ducted):	12.5 /
EER (Non-Ducted/Ducted):	15.30 /	Heating COP (Non-Ducted/Ducted):	4.5 /
Rated Heating Capacity (Btu/hr):	12,000		
Max/Min Heating Capacity (Btu/hr):	15,600 / 4,400		
Heating Input Power (kW):	0.79		

### SYSTEM DETAILS

Refrigerant Type:	R-410A	Cooling Operation Range (°F DB):	14 - 115
Holding Refrigerant Charge (lbs):	2.4	Heating Operation Range (°F WB):	5 - 64
Additional Charge (lb/ft):	0.21	Max. Pipe Length (Vertical) (ft):	49
Pre-charge Piping (Length) (ft):	33	Cooling Range w/Baffle (°F DB):	0 - 115
Max. Pipe Length (Total) (ft):	66	Heating Range w/Baffle (°F WB):	0 - 77
Max Height Separation (Ind to Ind ft):	49		



## Submittal Data Sheet

0.75-Ton Wall Mounted Unit - FTXS09LVJURXS09LVJU

Project: THE PARK DANFORTH

Submitted by: David Chadwick of F W WEBB CO on 12/3/2015

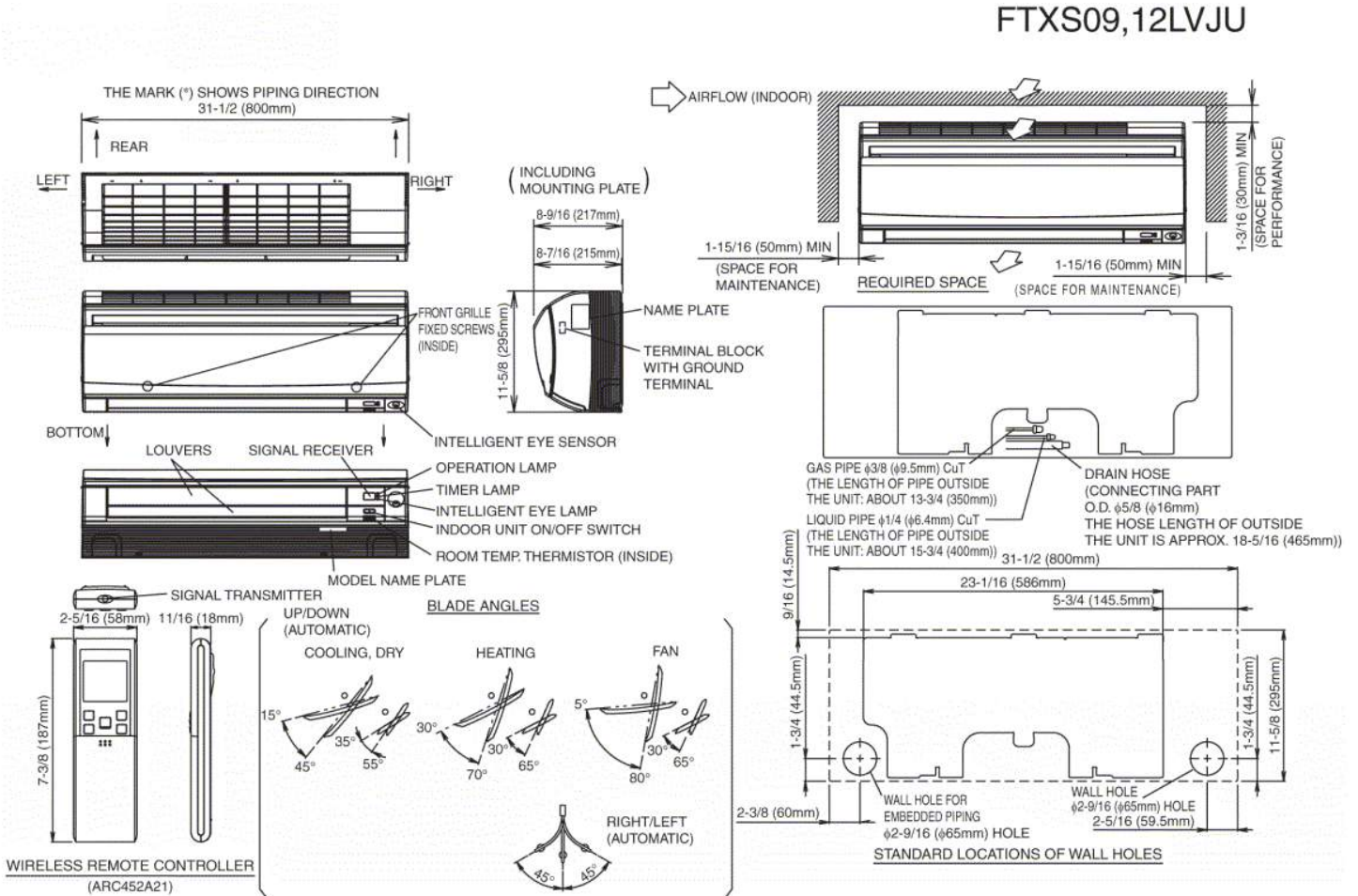
Submitted to: WARREN MECANICAL

Tags: AC-1 CU-1

### INDOOR UNIT DETAILS

Power Supply (V/Hz/Ph):	208-230 / 60 / 1	Airflow Rate (H/M/L/SL) (CFM):	381/279/194/145
Power Supply Connections:	See Outdoor Unit for Electrical Specs	Moisture Removal (Gal/hr):	2.4
Min. Circuit Amps MCA (A):		Gas Pipe Connection (inch):	3/8
Max Overcurrent Protection (MOP) (A):		Liquid Pipe Connection (inch):	1/4
Dimensions (HxWxD) (in):	11-5/8 x 31-1/2 x 8-7/16	Condensate Connection (inch):	5/8
Panel (HxWxD) (in):		Sound Pressure (H/M) (dBA):	41/22
Net Weight (lb):	20	Sound Power Level (dBA):	
Panel Weight (lb):		Ext. Static Pressure (Rated/Max) (inWg):	0.00 / 0.00

## DIMENSIONAL DRAWING - INDOOR UNIT



Daikin North America LLC, 5151 San Felipe, Suite 500, Houston, TX, 77056

Daikin City Generated Submittal Data

[www.daikinac.com](http://www.daikinac.com) [www.daikincomfort.com](http://www.daikincomfort.com)

(Daikin's products are subject to continuous improvements. Daikin reserves the right to modify product design, specifications and information in this data sheet without notice and without incurring any obligations)



## Submittal Data Sheet

0.75-Ton Wall Mounted Unit - FTXS09LVJURXS09LVJU

Project: THE PARK DANFORTH

Submitted by: David Chadwick of F W WEBB CO on 12/3/2015

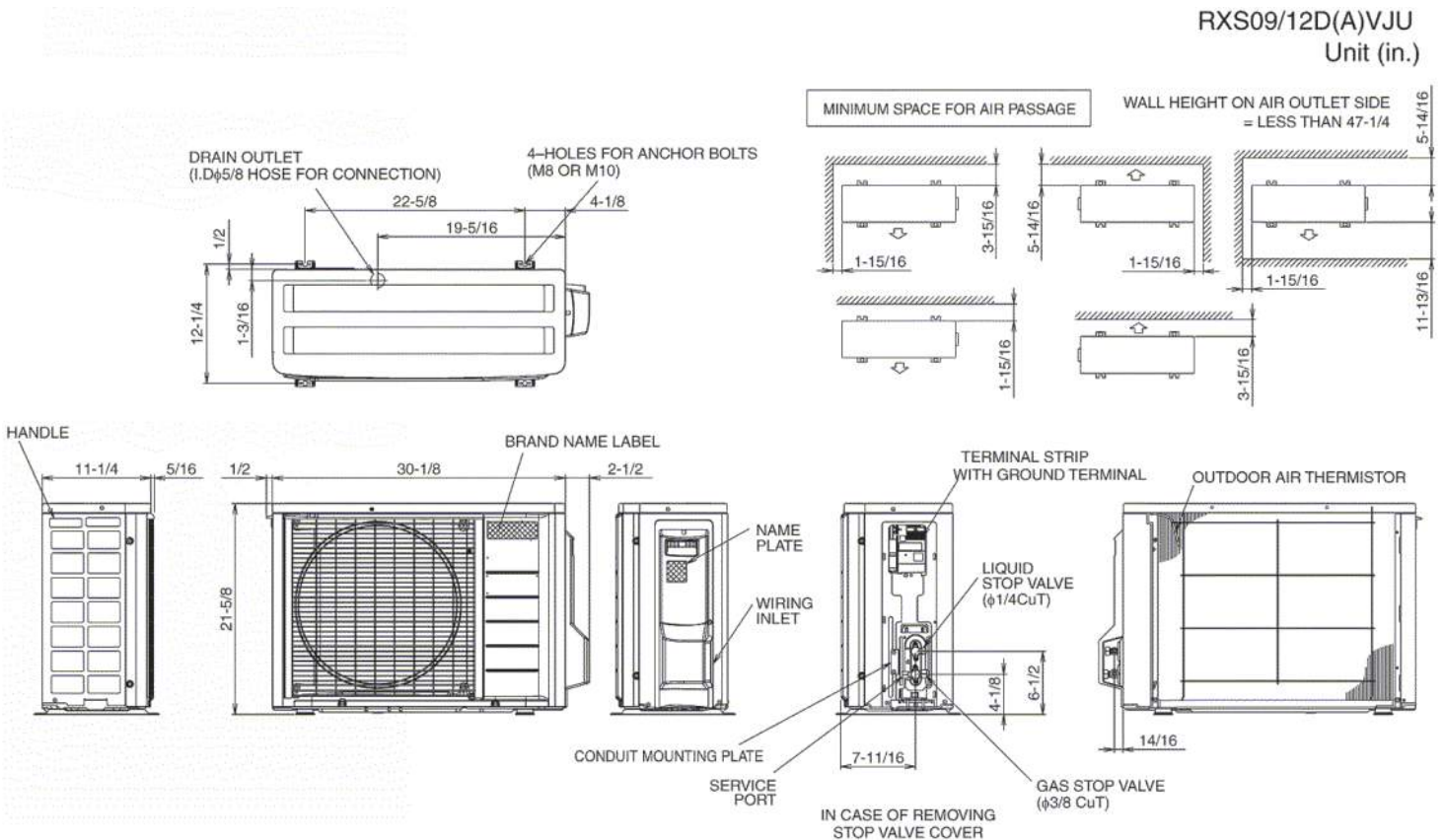
Submitted to: WARREN MECANICAL

Tags: AC-1 CU-1

### OUTDOOR UNIT DETAILS

Power Supply (V/Hz/Ph):	208-230 / 60 / 1	Compressor Type:	Inverter
Power Supply Connections:	L1, L2, Ground	Capacity Control Range (%):	-
Min. Circuit Amps MCA (A):	8.00	Airflow Rate (H) (CFM):	1,102
Max Overcurrent Protection (MOP) (A):	15.00	Gas Pipe Connection (inch):	3/8
Max Starting Current MSC(A):		Liquid Pipe Connection (inch):	1/4
Rated Load Amps RLA(A):	3.7	Sound Pressure (H) (dBA):	47
Dimensions (HxWxD) (in):	21-5/8 x 30-1/8 x 11-1/4	Sound Power Level (dBA):	63
Net Weight (lb):	75		

## DIMENSIONAL DRAWING - OUTDOOR UNIT





## Submittal Data Sheet

1.0-Ton Wall Mounted Unit - FTXS12LVJURXS12LVJU

Project: THE PARK DANFORTH

Submitted by: David Chadwick of F W WEBB CO on 12/3/2015

Submitted to: WARREN MECANICAL

Tags: AC-2, CU-2

## FEATURES

- Intelligent eye occupancy sensor
- Weekly timer for programmable comfort
- Low ambient heat operation down to 0° F

## BENEFITS

- Quiet operation
- 12 Year limited parts warranty with online registration
- 5 Year limited parts warranty for commercial applications

## INDOOR UNIT



## OUTDOOR UNIT





## Submittal Data Sheet

1.0-Ton Wall Mounted Unit - FTXS12LVJURXS12LVJU

Project: THE PARK DANFORTH

Submitted by: David Chadwick of F W WEBB CO on 12/3/2015

Submitted to: WARREN MECANICAL

Tags: AC-2, CU-2

### SYSTEM PERFORMANCE

Indoor Unit Model No.	FTXS12LVJU	Indoor Unit Name:	FTXS12LVJU
Outdoor Unit Model No.	RXS12LVJU	Outdoor Unit Name:	RXS12LVJU
Rated Cooling Capacity (Btu/hr):	12,000	Rated Cooling Conditions:	Indoor (°F DB/WB): 80 / 67 Ambient (°F DB/WB): 95 / 75
Sensible Capacity (Btu/hr):	9,250	Rated Piping Length(ft):	25
Max/Min Cooling Capacity (Btu/hr):	13,800 / 4,800	Rated Height Difference (ft):	49.20
Cooling Input Power (kW):	0.940	Rated Heating Conditions:	Indoor (°F DB/WB): 70 / 70 Ambient (°F DB/WB): 47 / 43
SEER (Non-Ducted/Ducted):	23.00 /	HSPF (Non-Ducted/Ducted):	12.5 /
EER (Non-Ducted/Ducted):	12.80 /	Heating COP (Non-Ducted/Ducted):	4.4 /
Rated Heating Capacity (Btu/hr):	14,400		
Max/Min Heating Capacity (Btu/hr):	18,000 / 4,800		
Heating Input Power (kW):	0.97		

### SYSTEM DETAILS

Refrigerant Type:	R-410A	Cooling Operation Range (°F DB):	14 - 115
Holding Refrigerant Charge (lbs):	2.7	Heating Operation Range (°F WB):	5 - 64
Additional Charge (lb/ft):	0.21	Max. Pipe Length (Vertical) (ft):	49
Pre-charge Piping (Length) (ft):	33	Cooling Range w/Baffle (°F DB):	0 - 115
Max. Pipe Length (Total) (ft):	66	Heating Range w/Baffle (°F WB):	0 - 77
Max Height Separation (Ind to Ind ft):	49		



## Submittal Data Sheet

1.0-Ton Wall Mounted Unit - FTXS12LVJURXS12LVJU

Project: THE PARK DANFORTH

Submitted by: David Chadwick of F W WEBB CO on 12/3/2015

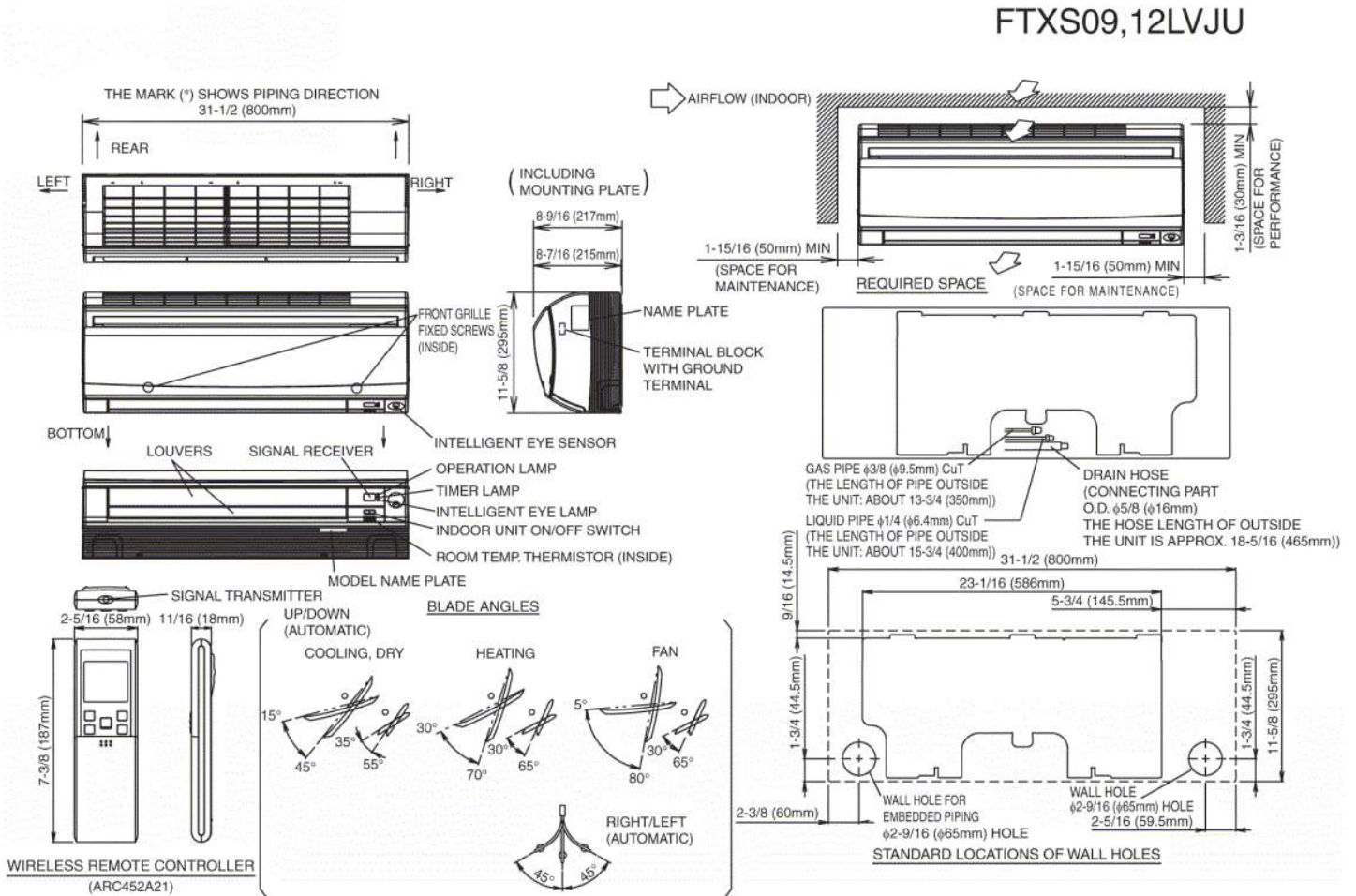
Submitted to: WARREN MECANICAL

Tags: AC-2, CU-2

### INDOOR UNIT DETAILS

Power Supply (V/Hz/Ph):	208-230 / 60 / 1	Airflow Rate (H/M/L/SL) (CFM):	403/309/205/155
Power Supply Connections:	See Outdoor Unit for Electrical Specs	Moisture Removal (Gal/hr):	4.0
Min. Circuit Amps MCA (A):		Gas Pipe Connection (inch):	3/8
Max Overcurrent Protection (MOP) (A):		Liquid Pipe Connection (inch):	1/4
Dimensions (HxWxD) (in):	11-5/8 x 31-1/2 x 8-7/16	Condensate Connection (inch):	5/8
Panel (HxWxD) (in):		Sound Pressure (H/M) (dBA):	45/23
Net Weight (lb):	22	Sound Power Level (dBA):	
Panel Weight (lb):		Ext. Static Pressure (Rated/Max) (inWg):	0.00 / 0.00

## DIMENSIONAL DRAWING - INDOOR UNIT



Daikin North America LLC, 5151 San Felipe, Suite 500, Houston, TX, 77056

Daikin City Generated Submittal Data

[www.daikinac.com](http://www.daikinac.com) [www.daikincomfort.com](http://www.daikincomfort.com)

(Daikin's products are subject to continuous improvements. Daikin reserves the right to modify product design, specifications and information in this data sheet without notice and without incurring any obligations)







## Submittal Data Sheet

2.5-Ton Wall Mounted Cooling Only - FTXS30LVJURKS30LVJU

Project: THE PARK DANFORTH

Submitted by: David Chadwick of F W WEBB CO on 12/3/2015

Submitted to: WARREN MECANICAL

Tags: AC-3, CU-E

## FEATURES

- 10 year limited parts and compressor warranty

## INDOOR UNIT



## OUTDOOR UNIT



## NOTES

- Unit may not be installed in the Southwest Region (AZ, CA, NM, & NV). Refer [www.daikincomfort.com/standards](http://www.daikincomfort.com/standards) for additional information.





## Submittal Data Sheet

2.5-Ton Wall Mounted Cooling Only - FTXS30LVJURKS30LVJU

Project: THE PARK DANFORTH

Submitted by: David Chadwick of F W WEBB CO on 12/3/2015

Submitted to: WARREN MECANICAL

Tags: AC-3, CU-E

### SYSTEM PERFORMANCE

Indoor Unit Model No.	FTXS30LVJU	Indoor Unit Name:	SKYAIR WALL MOUNTED
Outdoor Unit Model No.	RKS30LVJU	Outdoor Unit Name:	SKYAIR COOL ONLY OUTDOOR
Rated Cooling Capacity (Btu/hr):	30,000	Rated Cooling Conditions:	Indoor (°F DB/WB): 80 / 67 Ambient (°F DB/WB): 95 / 75
Sensible Capacity (Btu/hr):	19,940	Rated Piping Length(ft):	25
Max/Min Cooling Capacity (Btu/hr):	30,000 / 10,200	Rated Height Difference (ft):	65.60
Cooling Input Power (kW):	2.090		
SEER (Non-Ducted/Ducted):	19.30 /		
EER (Non-Ducted/Ducted):	10.71 /		

### SYSTEM DETAILS

Refrigerant Type:	R-410A	Cooling Operation Range (°F DB):	14 - 115
Holding Refrigerant Charge (lbs):	6.2	Heating Operation Range (°F WB):	-
Additional Charge (lb/ft):	0.03	Max. Pipe Length (Vertical) (ft):	66
Pre-charge Piping (Length) (ft):	33	Cooling Range w/Baffle (°F DB):	0 - 115
Max. Pipe Length (Total) (ft):	98	Heating Range w/Baffle (°F WB):	-
Max Height Separation (Ind to Ind ft):	66		



## Submittal Data Sheet

2.5-Ton Wall Mounted Cooling Only - FTXS30LVJURKS30LVJU

Project: THE PARK DANFORTH

Submitted by: David Chadwick of F W WEBB CO on 12/3/2015

Submitted to: WARREN MECANICAL

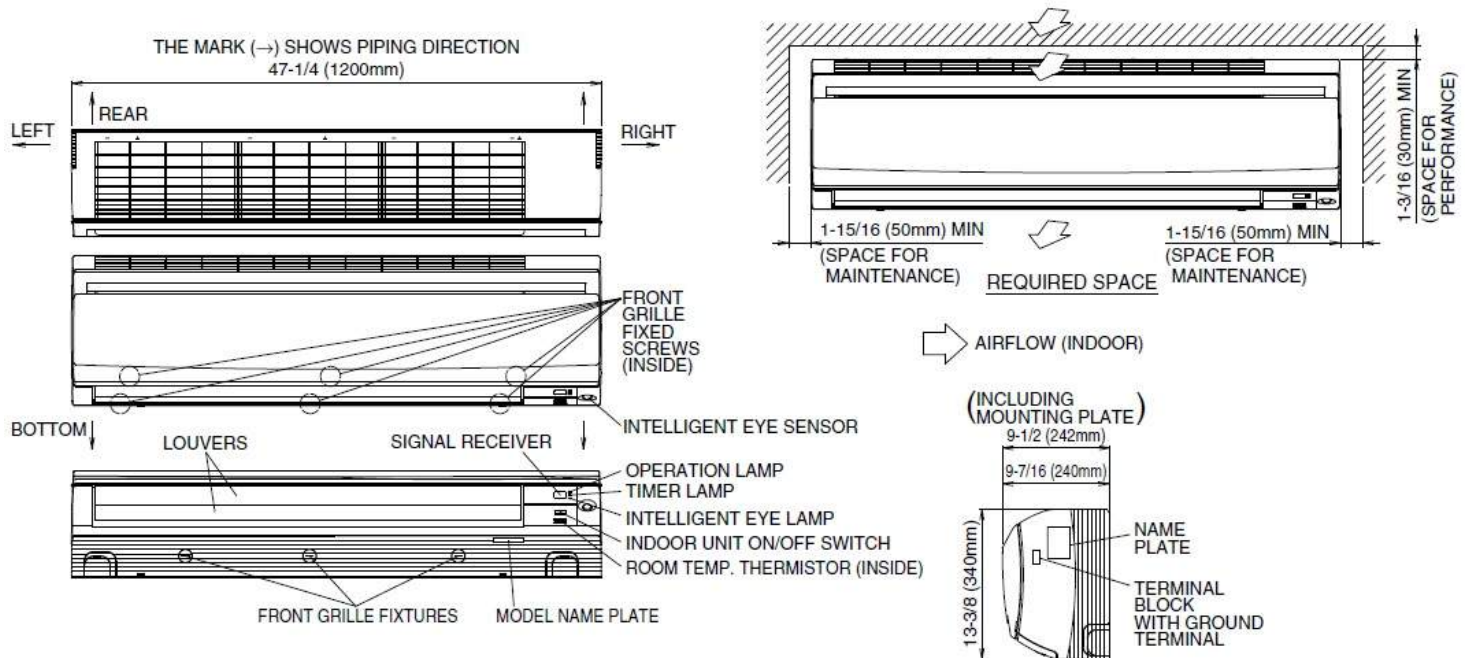
Tags: AC-3, CU-E

### INDOOR UNIT DETAILS

Power Supply (V/Hz/Ph):	208-230 / 60 / 1	Airflow Rate (H/M/L) (CFM):	706/519/473
Power Supply Connections:	See Outdoor Unit for Electrical Specs	Moisture Removal (Gal/hr):	
Min. Circuit Amps MCA (A):		Gas Pipe Connection (inch):	5/8
Max Overcurrent Protection (MOP) (A):		Liquid Pipe Connection (inch):	3/8
Dimensions (HxWxD) (in):	13-3/8 x 47-1/4 x 9-7/16	Condensate Connection (inch):	5/8
Panel (HxWxD) (in):		Sound Pressure (H/M) (dBA):	47/40
Net Weight (lb):	38	Sound Power Level (dBA):	
Panel Weight (lb):		Ext. Static Pressure (Rated/Max) (inWg):	/

## DIMENSIONAL DRAWING - INDOOR UNIT

### FTXS30/36LVJU





## Submittal Data Sheet

2.5-Ton Wall Mounted Cooling Only - FTXS30LVJURKS30LVJU

Project: THE PARK DANFORTH

Submitted by: David Chadwick of F W WEBB CO on 12/3/2015

Submitted to: WARREN MECANICAL

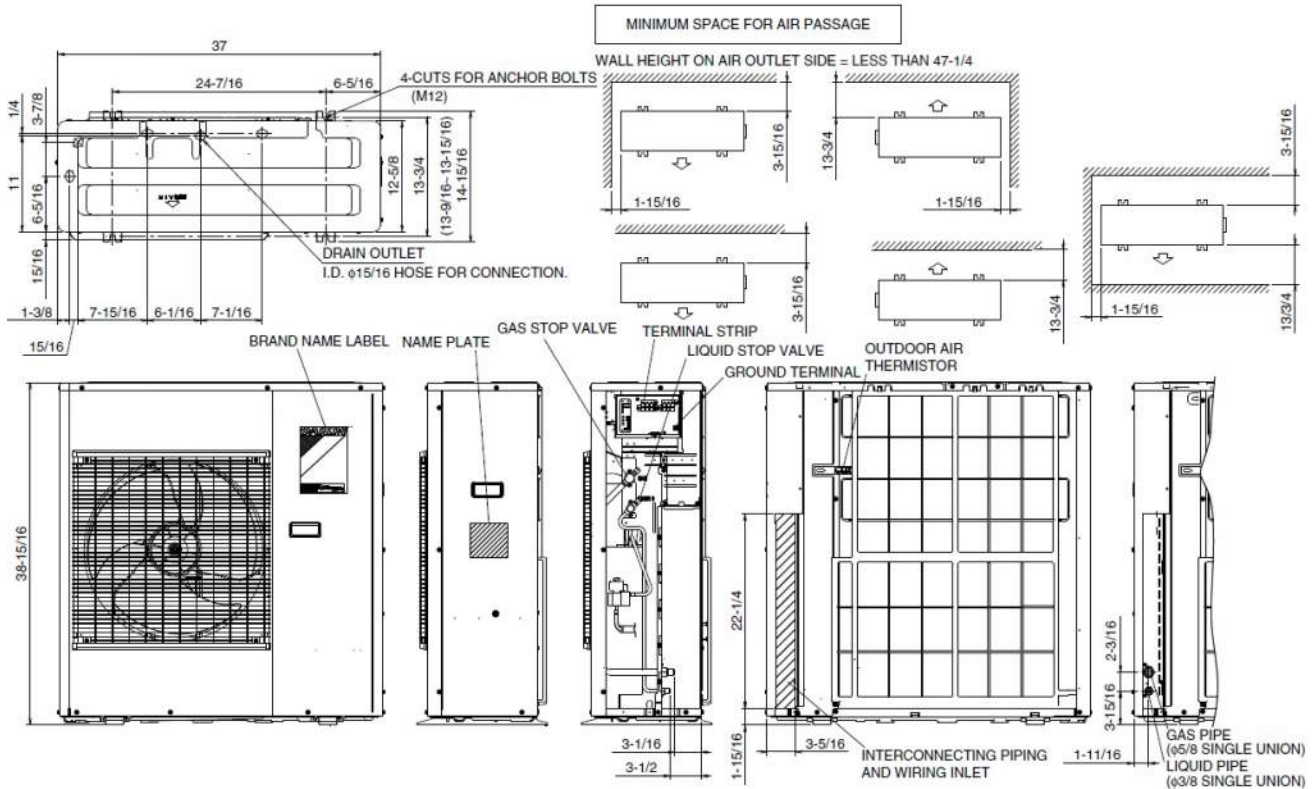
Tags: AC-3, CU-E

### OUTDOOR UNIT DETAILS

Power Supply (V/Hz/Ph):	208-230 / 60 / 1	Compressor Type:	Inverter
Power Supply Connections:	L1, L2, Ground	Capacity Control Range (%):	-
Min. Circuit Amps MCA (A):	19.50	Airflow Rate (H) (CFM):	2,627
Max Overcurrent Protection (MOP) (A):	20.00	Gas Pipe Connection (inch):	5/8
Max Starting Current MSC(A):		Liquid Pipe Connection (inch):	3/8
Rated Load Amps RLA(A):	13.5	Sound Pressure (H) (dBA):	54
Dimensions (HxWxD) (in):	38-15/16 x 37 x 12-5/8	Sound Power Level (dBA):	68
Net Weight (lb):	179		

## DIMENSIONAL DRAWING - OUTDOOR UNIT

RKS30/36LVJU, RXS30/36LVJU



Daikin North America LLC, 5151 San Felipe, Suite 500, Houston, TX, 77056

Daikin City Generated Submittal Data

[www.daikinac.com](http://www.daikinac.com) [www.daikincomfort.com](http://www.daikincomfort.com)

(Daikin's products are subject to continuous improvements. Daikin reserves the right to modify product design, specifications and information in this data sheet without notice and without incurring any obligations)

## THE PARK DANFORTH

Project Name:	
Location:	
Engineer:	ALIED ENGINEERING
Submitted to:	WARREN MECHANICAL
Submitted by:	F W WEBB COMPANY
Reference:	CONTROLLER FOR ALL <b style="background-color: yellow;">WALL UNITS</b>
Approval:	
Date:	
Construction:	
Unit #:	TSTAT 1
Drawing #:	

Compatible with all Daikin VRV Mini-split, and all Multi-split indoor units – CDXS, CTXS, FDXS, FTXS, FTXN (FTXN requires KRP980B1 interface adapter)

Compatible with Daikin SkyAir indoor unit models: FTXS

SEE COMMENTS - OWNER APPROVAL NEEDED

Model Number	DST-TS1-1
Description	ENVi Thermostat
Control Quantity	1 indoor unit
Wiring for Power/Communication (requires field supplied 4 core wire)	18 AWG: 1250 ft. / 380 m 20 AWG: 800 ft. / 240 m 22 AWG: 500 ft. / 150 m
Power Supply	24VAC (supplied by *DPCA)
Cool Setpoint Range	65 to 95°F (18.5 to 35°C)
Heat Setpoint Range	45 to 80°F (7 to 26.5°C)
Operating Temp Range	32 to 130°F (0 to 55°C)
Humidity Display Range	20-90% RH
Operating Humidity Range	5 – 95% RH (no condensation)
Aux Heater Relay Electrical Rating	30VAC, Max Current 3A
Dimensions (WxHxD)	5.5 x 3.25 x 1 inches (139.5 x 82.5 x 25 mm)
Weight (Mass)	1.8 lb. (0.8 kg)

Comments apply to resident apartment heat pumps only.



DACA-TS1-1

Thermostat features:

- Wall mount controller
- Backlit
- Single setpoints in Cool or Heat modes
- Dual setpoints in Auto mode
- Fan On/Auto (Fan Auto, Fan stops when room temp is satisfied)
  - Min Fan On Time can be configured for better air circulation
- Senses and displays indoor temperature / humidity
- Display outdoor temperature and humidity
- Utility CPP (Critical Peak Pricing) setting available
- Supports a single-stage auxiliary heater
  - One relay implemented for an auxiliary heater
- Weekly Setback Schedule
  - Hold, Vacation, Optimum Start (Smart Recovery)
- Wi-Fi for web (PC) / mobile phone / tablet access
  - User Web Portal
    - Apple, Android, and Blackberry apps available
  - Contractor Web Portal for customer support
  - Displays weather forecast
- Email Alarm and reminder
  - Upper and lower limit temp and humidity alerts
  - Equipment maintenance reminder
- Daikin Error code and plain text (same text as Dr. Daikin mobile access) are displayed and emailed.

NOTE: THIS THERMOSTAT ALLOWS FOR THE SENSING LOCATION TO BE THE THERMOSTAT OR THE RETURN AIR SENSOR ON THE UNIT WITHOUT ANY LOSS OF FUNCTIONALITY. ALL ALGORITHMS OF INDOOR AND OUTDOOR UNIT ARE PRESERVED AND FUNCTIONAL

Daikin North America LLC, 5151 San Felipe Suite 500, Houston, TX 77056

Daikin North America LLC Controls Engineering Department Generated Submittal Data

[www.daikinac.com](http://www.daikinac.com)

(Daikin's products are subject to continuous improvements. Daikin reserves the right to modify product design, specifications and information in this data sheet without notice and without incurring any obligations)

Project Name: THE PARK DANFORTH

---

Location:

---

Engineer: ALIED ENGINEERING

---

Submitted to: WARREN MECHANICAL

---

Submitted by: F W WEBB COMPANY

---

Reference: CONTROLLER FOR ALL WALL UNITS

Approval:

---

Date:

---

Construction:

---

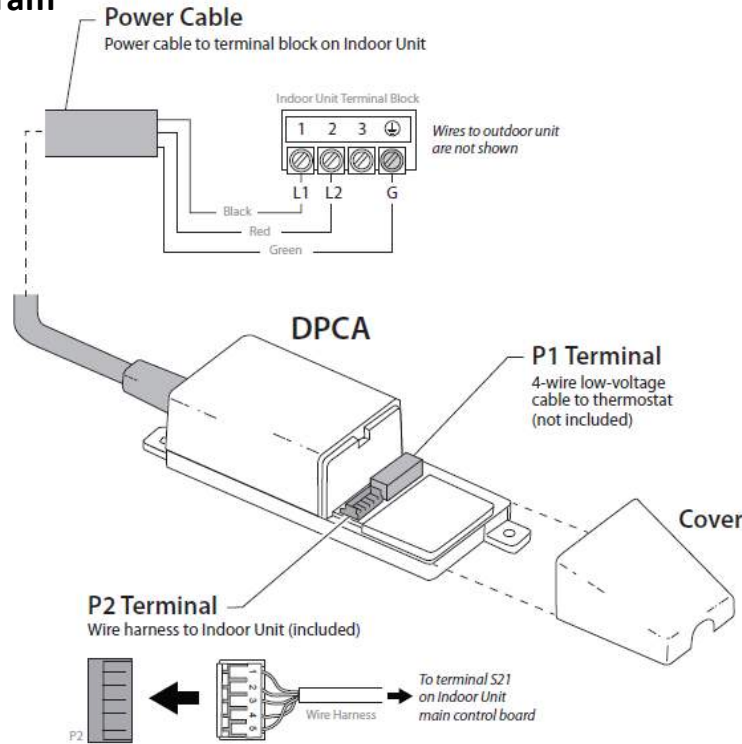
Unit #: TSTAT 1

---

Drawing #:

---

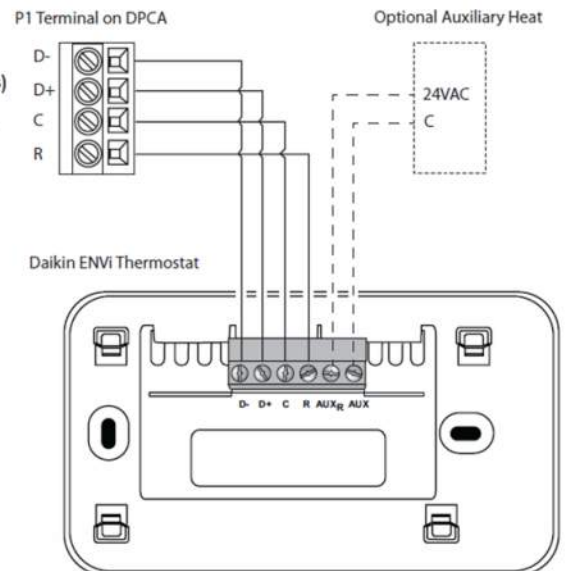
## Wiring Diagram



**D-, D+ : 2 wire for RS485 serial communication (Modbus)**

**C, R : 2 wire for power supply (24VAC)**

D-, D+: Communication wire – polarity sensitive



Daikin North America LLC, 5151 San Felipe Suite 500, Houston, TX 77056

Daikin North America LLC Controls Engineering Department Generated Submittal Data

[www.daikinac.com](http://www.daikinac.com)

(Daikin's products are subject to continuous improvements. Daikin reserves the right to modify product design, specifications and information in this data sheet without notice and without incurring any obligations)

# Configuring Personal Preferences

## ***To configure personal Preferences:***

From the Home screen, press **MENU**.

Select **Settings** ► **Preferences**.

Adjust each option to your personal preferences.

The Preferences menu has settings for personalizing your Daikin ENVi thermostat.

## **Name**

You can customize the name of your Daikin ENVi thermostat to suit your needs (i.e. Main Floor). This is useful if you have multiple systems or zones. You can view and edit your Daikin ENVi thermostat name in the About menu on your Daikin ENVi thermostat and also in your online Web Portal.

## **Date and Time**

Select **Date & Time** to:

- Set the current time and date.
- Select a 12-hour or 24-hour time format.
- Select your time zone.
- Enable or disable daylight savings.

If you are connected to the Internet, the time and date are programmed automatically.

## **Brightness**

The color screen has adjustable backlight brightness. You can control the intensity when the screen is active (i.e., when you are pushing buttons) and when the display is in standby mode (see “Idle Screen” on page 5).

Select **Brightness** to:

- Set the Active brightness intensity.
- Set the Standby brightness intensity (see “Idle Screen” on page 5).
- Set the minimum time the Daikin ENVi thermostat will stay in active brightness before switching to standby brightness.

## Hold Action

Whenever you manually adjust the set temperature, the Daikin ENVi thermostat will indicate you are in a “Hold” mode. You can select how long the Daikin ENVi thermostat will hold the new temperature before reverting back to the regular program:

- **Hold 2 hours**
- **Hold 4 hours**
- **Until next transition** Thermostat will hold temperature until the next program period.
- **Indefinite** Thermostat will hold temperature until you press **OK**.
- **Update Schedule** When you adjust the set temperature, the system will update the temperature in the Weekly Schedule for the current period.
- **Ask Me** Every time you adjust the set temperature you will be asked which of the options you would like to choose.

## Temperature Display

Select **Temperature Display** to select Fahrenheit (°F) or Celsius (°C).




## Quick Save Settings

In Quick Save mode, your system will automatically increase (in cool mode) or decrease (in heat mode) the temperature set point by the pre-configured amount.

Quick Save mode can only be activated from the Web Portal or from the Daikin ENVi smartphone/tablet application.

### Access Control

You can protect your Daikin ENVi thermostat so that certain features will require the user to enter a 4-digit access code. Use the arrow keys to highlight a number and then press **OK**. When you are done, select **Save**. The access control will be required once the idle screen is displayed.

To disable this feature, delete the number by selecting  multiple times.

You can also configure the level of access control:

- **Restrict All Access** Unauthorized users will only be able to view the home screen and the weather information.
- **Restrict System/Fan Access** The code is required to access the system mode and fan menus.
- **Restrict Program Access** The code is required to view and modify the Daikin ENVi thermostat's Weekly Schedule.
- **Restrict Vacation Access** The code is required to view and create a Vacation.

In all cases, once the code is enabled, it will be required to access any of the items in the Settings, Reminders and Alerts, and Sensor

SEVERAL OPTIONS  
MAKE THIS A  
SIMPLE  
THERMOSTAT



menus. The About screen is still accessible. Once a valid code has been entered on the Daikin ENVi thermostat, access to restricted features will be allowed until the Daikin ENVi thermostat backlight timer has expired.

## Temperature Range

You can configure the Daikin ENVi thermostat so only a specific heat and/or cool set point range is permitted.

- **Heat Temp Range** Press ▲ or ▼ select the maximum or minimum heat set points then press **OK**. Users will not be able to set the Daikin ENVi thermostat to a temperature above this limit.

Heat Min Temp: 45 to 68 °F (7 to 20 °C)

Heat Max Temp: 57 to 80 °F (14 to 26.5 °C)

- **Cool Temp Range** Press ▲ or ▼ to select the maximum and minimum cool set points and then press **OK**. Users will not be able to set the Daikin ENVi thermostat to a temperature below this limit.
  - Cool Min Temp: 65 to 83 °F (18.5 to 28.5 °C)
  - Cool Max Temp: 77 to 95 °F (25 to 35 °C)

## Intelligent Eye

Some models of the Indoor Unit include an intelligent eye, an infrared sensor that detects room occupancy. It adjust the set point by 3.6°F (2°C) if no movement is detected in order to save energy (+3.6°F/+2°C if cooling, -3.6°F/-2°C if heating).

To use intelligent eye, you must enable this option in the Daikin ENVi thermostat and

then enable it with the Daikin wireless remote controller. If enabled, the thermostat's Smart Recovery and Temp Alert functions are not available.

By default, intelligent eye is disabled on the thermostat.

*Do NOT enable the intelligent eye with the Daikin wireless remote controller when it is disabled on the thermostat as this may cause suboptimal operation and result in invalid recovery and alert messages. Also, if an auxiliary heater is configured, enabling intelligent eye may energize the auxiliary heater more often than would normally be required.*

## Recovery Options

Recovery options allow the Daikin ENVi thermostat to learn how your heating and cooling system works, taking into account infrastructure, weather and historical operating performance so that your home is a comfortable temperature as soon as you walk in the door.

- **Smart Recovery Heat** The Daikin ENVi thermostat will start heating at the optimum time to ensure the set point is reached at the programmed time.
- **Smart Recovery Cool** The Daikin ENVi thermostat will start cooling at the optimum time to ensure the set point is reached at the programmed time.
- **Random Start Heat** Programming a time in this section will produce a random delay when there is call for heat. In applications with multiple heating systems, this prevents all the systems from activating at the same time (thus creating a peak power demand).



## Submittal Data Sheet

2 PORT HP, DUCTLESS OD 1.5 TON - 2MXS18NMVJU

Project: THE PARK DANFORTH

Submitted by: David Chadwick of F W WEBB CO on 12/3/2015

Submitted to: WARREN MECANICAL

Tags: CU-3

## FEATURES

- Up to 18.9 SEER / Up to 12.7 EER / Up to 12.5 HSPF
- High-efficiency inverter driven swing compressor
- Low ambient cooling to 5°F / -4°F with optional drain pan heater
- Specialized drain pan design for improved cold climate drainage

## BENEFITS

- 12 Year limited parts warranty with online registration
- 5 Year limited parts warranty for commercial applications
- High efficiency cooling and heating operation provides utility bill savings
- Multiple indoor unit style options: wall mounted, floor standing, ceiling cassette, slim duct
- May qualify for regional utility rebates and incentives
- Compatible with optional Daikin ENVi Wi-Fi capable Smart Control





## Submittal Data Sheet

2 PORT HP, DUCTLESS OD 1.5 TON - 2MXS18NMVJU

Project: THE PARK DANFORTH

Submitted by: David Chadwick of F W WEBB CO on 12/3/2015

Submitted to: WARREN MECANICAL

Tags: CU-3

### PERFORMANCE

Outdoor Unit Model No.	2MXS18NMVJU	Outdoor Unit Name:	2 PORT HP, DUCTLESS OD 1.5 TON
Type:	Heat Pump		
Rated Cooling Conditions:	Indoor (°F DB/DB): 80 / 67 Ambient (°F DB/WB): 95 / 75	Rated Heating Conditions:	Indoor (°F DB/WB): / Ambient (°F DB/WB): /
Rated Piping Length(ft):	25		
Rated Height Difference (ft):	49.00		
Rated Cooling Capacity (Btu/hr):	18,000	Rated Heating Capacity (Btu/hr):	18,900
Cooling Input Power (kW):		Heating Input Power (kW):	
EER (Non-Ducted/Ducted):	12.50 / 9.50	Heating COP (Non-Ducted/Ducted):	4.1 / 4.1
SEER (Non-Ducted/Ducted):	18.90 / 14.00	HSPF (Non-Ducted/Ducted):	10.7 / 8.2
Max/Min Cooling Capacity (Btu/hr):	21,000 /	Max/Min Heating Capacity (Btu/hr):	25,000 /

### OUTDOOR UNIT DETAILS

Power Supply (V/Hz/Ph):	208-230 / 60 / 1	Compressor Type:	Inverter
Power Supply Connections:	L1, L2, Ground	Capacity Control Range (%):	-
Min. Circuit Amps MCA (A):	15.80	Airflow Rate (H) (CFM):	2,150
Max Overcurrent Protection (MOP) (A):	20.00	Gas Pipe Connection (inch):	3/8
Max Starting Current MSC(A):	14.00	Liquid Pipe Connection (inch):	1/4
Rated Load Amps RLA(A):	14.0	Sound Pressure (H) (dBA):	50
Dimensions (HxWxD) (in):	29 x 34-1/4 x 12-5/8	Sound Power Level (dBA):	
Net Weight (lb):	123		





## Submittal Data Sheet

3 PORT HP, DUCTLESS OD 2 TON - 3MXS24NMVJU

Project: THE PARK DANFORTH

Submitted by: David Chadwick of F W WEBB CO on 12/3/2015

Submitted to: WARREN MECANICAL

Tags: CU-4 CU-13

## FEATURES

- Up to 18.9 SEER / Up to 12.7 EER / Up to 12.5 HSPF
- High-efficiency inverter driven swing compressor
- Low ambient cooling to 5°F / -4°F with optional drain pan heater
- Specialized drain pan design for improved cold climate drainage

## BENEFITS

- 12 Year limited parts warranty with online registration
- 5 Year limited parts warranty for commercial applications
- High efficiency cooling and heating operation provides utility bill savings
- Multiple indoor unit style options: wall mounted, floor standing, ceiling cassette, slim duct
- May qualify for regional utility rebates and incentives
- Compatible with optional Daikin ENVi Wi-Fi capable Smart Control





## Submittal Data Sheet

3 PORT HP, DUCTLESS OD 2 TON - 3MXS24NMVJU

Project: THE PARK DANFORTH

Submitted by: David Chadwick of F W WEBB CO on 12/3/2015

Submitted to: WARREN MECANICAL

Tags: CU-4 CU-13

### PERFORMANCE

Outdoor Unit Model No.	3MXS24NMVJU	Outdoor Unit Name:	3 PORT HP, DUCTLESS OD 2 TON
Type:	Heat Pump		
Rated Cooling Conditions:	Indoor (°F DB/DB): 80 / 67 Ambient (°F DB/WB): 95 / 75	Rated Heating Conditions:	Indoor (°F DB/WB): / Ambient (°F DB/WB): /
Rated Piping Length(ft):	25		
Rated Height Difference (ft):	49.00		
Rated Cooling Capacity (Btu/hr):	24,000	Rated Heating Capacity (Btu/hr):	24,000
Cooling Input Power (kW):	Heating Input Power (kW):		
EER (Non-Ducted/Ducted):	12.50 / 9.70	Heating COP (Non-Ducted/Ducted):	4.6 / 3.9
SEER (Non-Ducted/Ducted):	17.90 / 14.00	HSPF (Non-Ducted/Ducted):	12.5 / 8.2
Max/Min Cooling Capacity (Btu/hr):	30,000 /	Max/Min Heating Capacity (Btu/hr):	36,000 /

### OUTDOOR UNIT DETAILS

Power Supply (V/Hz/Ph):	208-230 / 60 / 1	Compressor Type:	Inverter
Power Supply Connections:	L1, L2, Ground	Capacity Control Range (%):	-
Min. Circuit Amps MCA (A):	18.70	Airflow Rate (H) (CFM):	2,094
Max Overcurrent Protection (MOP) (A):	20.00	Gas Pipe Connection (inch):	1/2
Max Starting Current MSC(A):	15.50	Liquid Pipe Connection (inch):	1/4
Rated Load Amps RLA(A):	15.5	Sound Pressure (H) (dBA):	52
Dimensions (HxWxD) (in):	29 x 34-1/4 x 12-5/8	Sound Power Level (dBA):	
Net Weight (lb):	137		



## Submittal Data Sheet

3 PORT HP, DUCTLESS OD 2 TON - 3MXS24NMVJU

Project: THE PARK DANFORTH

Submitted by: David Chadwick of F W WEBB CO on 12/3/2015

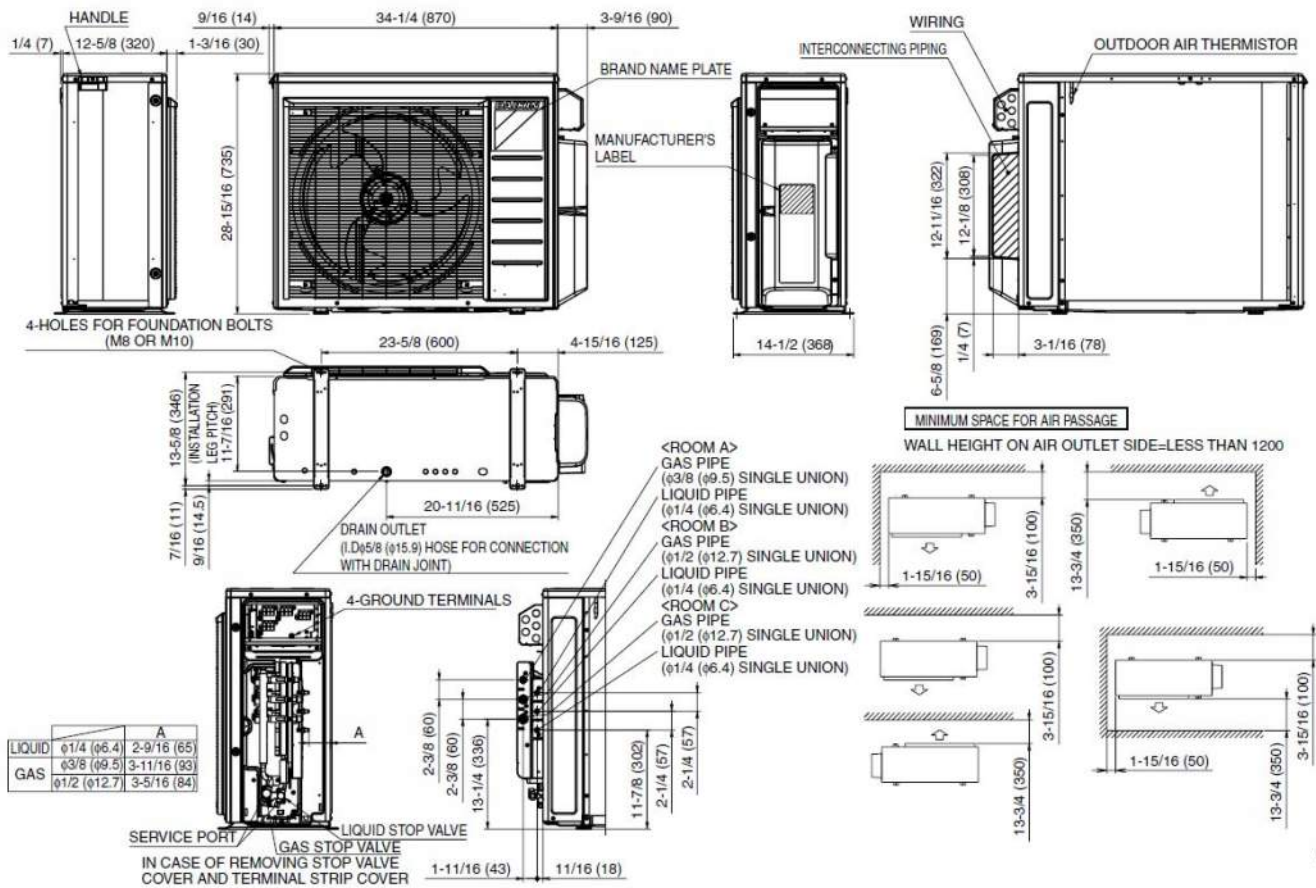
Submitted to: WARREN MECANICAL

Tags: CU-4 CU-13

### SYSTEM DETAILS

Refrigerant Type:	R-410A	Cooling Operation Range (°F DB):	14 - 115
Holding Refrigerant Charge (lbs):	6.2	Heating Operation Range (°F WB):	5 - 72
Additional Charge (lb/ft):	0.01	Max. Pipe Length (Vertical) (ft):	49
Pre-charge Piping (Length) (ft):	132	Cooling Range w/Baffle (°F DB):	14 - 115
Max. Pipe Length (Total) (ft):	230	Heating Range w/Baffle (°F WB):	-4 - 72
Max Height Separation (Ind to Ind ft):	49		

### DIMENSIONAL DRAWING



C: 3D093198





## Submittal Data Sheet

4 PORT HP, DUCTLESS OD 3 TON - 4MXS36NMVJU

Project: THE PARK DANFORTH

Submitted by: David Chadwick of F W WEBB CO on 12/3/2015

Submitted to: WARREN MECANICAL

Tags: CU-5 CU-6 CU-7 CU-8 CU-9 CU-10 CU-11 CU-12 CU-14 CU-15 CU-16

## FEATURES

- Up to 18.9 SEER / Up to 12.7 EER / Up to 12.5 HSPF
- High-efficiency inverter driven swing compressor
- Low ambient cooling to 5°F / -4°F with optional drain pan heater
- Specialized drain pan design for improved cold climate drainage

## BENEFITS

- 12 Year limited parts warranty with online registration
- 5 Year limited parts warranty for commercial applications
- High efficiency cooling and heating operation provides utility bill savings
- Multiple indoor unit style options: wall mounted, floor standing, ceiling cassette, slim duct
- May qualify for regional utility rebates and incentives
- Compatible with optional Daikin ENVi Wi-Fi capable Smart Control





## Submittal Data Sheet

4 PORT HP, DUCTLESS OD 3 TON - 4MXS36NMVJU

Project: THE PARK DANFORTH

Submitted by: David Chadwick of F W WEBB CO on 12/3/2015

Submitted to: WARREN MECANICAL

Tags: CU-5 CU-6 CU-7 CU-8 CU-9 CU-10 CU-11 CU-12 CU-14 CU-15 CU-16

### PERFORMANCE

Outdoor Unit Model No.	4MXS36NMVJU	Outdoor Unit Name:	4 PORT HP, DUCTLESS OD 3 TON
Type:	Heat Pump		
Rated Cooling Conditions:	Indoor (°F DB/DB): 80 / 67 Ambient (°F DB/WB): /	Rated Heating Conditions:	Indoor (°F DB/WB): / Ambient (°F DB/WB): /
Rated Piping Length(ft):	25		
Rated Height Difference (ft):	49.00		
Rated Cooling Capacity (Btu/hr):	36,000	Rated Heating Capacity (Btu/hr):	36,000
Cooling Input Power (kW):	Heating Input Power (kW):		
EER (Non-Ducted/Ducted):	9.20 / 7.90	Heating COP (Non-Ducted/Ducted):	4.5 / 3.5
SEER (Non-Ducted/Ducted):	17.70 / 14.00	HSPF (Non-Ducted/Ducted):	12.2 / 8.2
Max/Min Cooling Capacity (Btu/hr):	38,000 /	Max/Min Heating Capacity (Btu/hr):	43,000 /

### OUTDOOR UNIT DETAILS

Power Supply (V/Hz/Ph):	208-230 / 60 / 1	Compressor Type:	Inverter
Power Supply Connections:	L1, L2, Ground	Capacity Control Range (%):	-
Min. Circuit Amps MCA (A):	19.75	Airflow Rate (H) (CFM):	2,613
Max Overcurrent Protection (MOP) (A):	20.00	Gas Pipe Connection (inch):	1/2
Max Starting Current MSC(A):	17.50	Liquid Pipe Connection (inch):	1/4
Rated Load Amps RLA(A):	17.5	Sound Pressure (H) (dBA):	54
Dimensions (HxWxD) (in):	29 x 34-1/4 x 12-5/8	Sound Power Level (dBA):	
Net Weight (lb):	139		



# Submittal Data Sheet

4 PORT HP, DUCTLESS OD 3 TON - 4MXS36NMVJU

Project: THE PARK DANFORTH

Submitted by: David Chadwick of F W WEBB CO on 12/3/2015

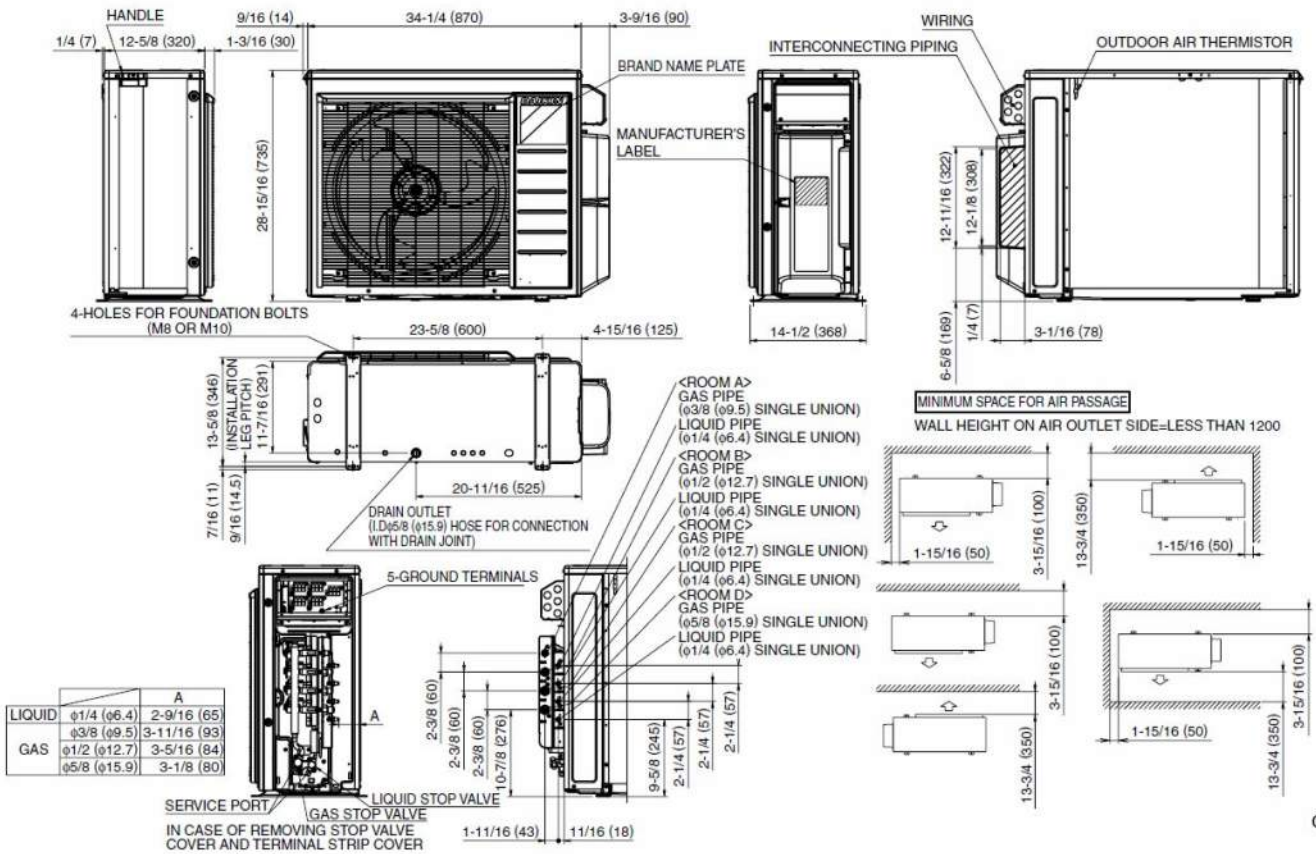
Submitted to: WARREN MECANICAL

Tags: CU-5 CU-6 CU-7 CU-8 CU-9 CU-10 CU-11 CU-12 CU-14 CU-15 CU-16

## SYSTEM DETAILS

Refrigerant Type:	R-410A	Cooling Operation Range (°F DB):	14 - 115
Holding Refrigerant Charge (lbs):	6.2	Heating Operation Range (°F WB):	5 - 72
Additional Charge (lb/ft):	0.01	Max. Pipe Length (Vertical) (ft):	49
Pre-charge Piping (Length) (ft):	132	Cooling Range w/Baffle (°F DB):	14 - 115
Max. Pipe Length (Total) (ft):	230	Heating Range w/Baffle (°F WB):	-4 - 72
Max Height Separation (Ind to Ind ft):	49		

## DIMENSIONAL DRAWING



C: 3D093199



## Submittal Data Sheet

0.5-Ton Wall Mounted Unit - CTXS07LVJU

Project: THE PARK DANFORTH

Submitted by: David Chadwick of F W WEBB CO on 12/3/2015

Submitted to: WARREN MECANICAL

Tags: AC-3B 16B 16C

## FEATURES

- Connects with multi-split systems
- Intelligent eye occupancy sensor
- Vertical and horizontal auto swing
- Hot start technology
- 12 year limited parts and compressor warranty with online registration

## BENEFITS

- Low ambient heat operation down to 0° F
- Titanium apatite photocatalytic air purifying





## Submittal Data Sheet

0.5-Ton Wall Mounted Unit - CTXS07LVJU

Project: THE PARK DANFORTH

Submitted by: David Chadwick of F W WEBB CO on 12/3/2015

Submitted to: WARREN MECANICAL

Tags: AC-3B 16B 16C

### PERFORMANCE

Indoor Unit Model No.	CTXS07LVJU	Indoor Unit Name:	0.5-Ton Wall Mounted Unit
Type:	Wall Mounted	Rated Cooling Conditions:	Indoor (°F DB/WB): 80 / 67 Ambient (°F DB/WB): 95 / 75
Rated Cooling Capacity (Btu/hr):	7,000	Rated Heating Conditions:	Indoor (°F DB/WB): 70 / 70 Ambient (°F DB/WB): 47 / 43
Sensible Capacity (Btu/hr):		Rated Piping Length(ft):	
Cooling Input Power (kW):	0.040	Rated Height Separation (ft):	
Rated Heating Capacity (Btu/hr):	8,500		
Heating Input Power (kW):	0.05		

### INDOOR UNIT DETAILS

Power Supply (V/Hz/Ph):	208-230 / 60 / 1	Airflow Rate (H/M/L/SL) (CFM):	332/261/194/145
Power Supply Connections:	See Outdoor Unit for Electrical Specs	Moisture Removal (Gal/hr):	
Min. Circuit Amps MCA (A):		Gas Pipe Connection (inch):	3/8
Max Overcurrent Protection (MOP) (A):		Liquid Pipe Connection (inch):	1/4
Dimensions (HxWxD) (in):	11-5/8 x 31-1/2 x 8-9/16	Condensate Connection (inch):	5/8
Panel (HxWxD) (in):		Sound Pressure (H/M/L/SL) (dBA):	38/32/22/22
Net Weight (lb):	20	Sound Power Level (dBA):	54
Panel Weight (lb):		Ext. Static Pressure (Rated/Max) (inWg):	0.00 / 0.00

### Submittal Data Sheet

0.5-Ton Wall Mounted Unit - CTXS07LVJU

Project: THE PARK DANFORTH

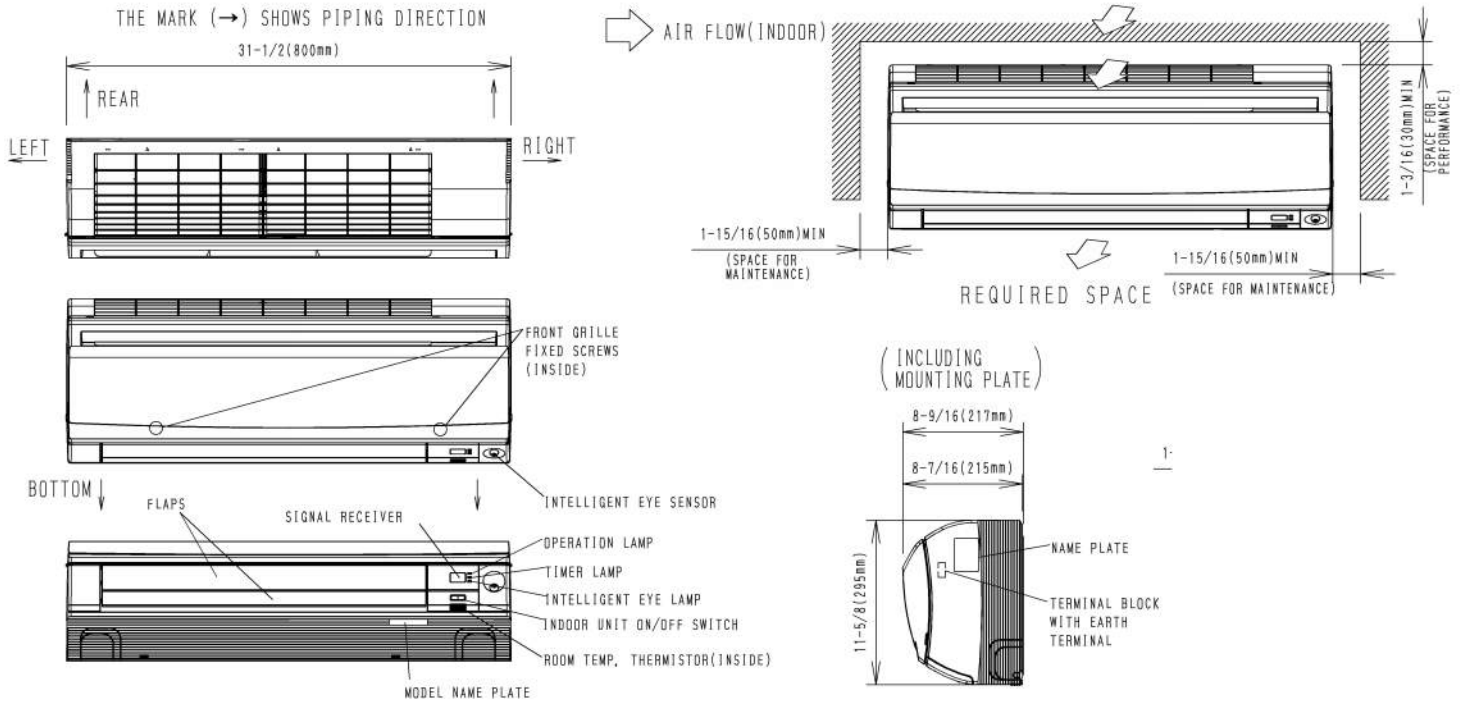
Submitted by: David Chadwick of F W WEBB CO on 12/3/2015

Submitted to: WARREN MECANICAL

Tags: AC-3B 16B 16C

## DIMENSIONAL DRAWING

CTXS07LVJU





**Submittal Data Sheet**

FTXS09LVJU - FTXS09LVJU

Project: THE PARK DANFORTH

Submitted by: David Chadwick of F W WEBB CO on 12/3/2015

Submitted to: WARREN MECANICAL

Tags: AC-7D 8A 8B 8C 8D 13B 14A 16D





## Submittal Data Sheet

FTXS09LVJU - FTXS09LVJU

Project: THE PARK DANFORTH

Submitted by: David Chadwick of F W WEBB CO on 12/3/2015

Submitted to: WARREN MECANICAL

Tags: AC-7D 8A 8B 8C 8D 13B 14A 16D

### PERFORMANCE

Indoor Unit Model No.	FTXS09LVJU	Indoor Unit Name:	FTXS09LVJU
Type:	Wall Mounted	Rated Cooling Conditions:	Indoor (°F DB/WB): 80 / 67 Ambient (°F DB/WB): 95 / 75
Rated Cooling Capacity (Btu/hr):	9,000	Rated Heating Conditions:	Indoor (°F DB/WB): 70 / 70 Ambient (°F DB/WB): 47 / 43
Sensible Capacity (Btu/hr):	8,100	Rated Piping Length(ft):	
Cooling Input Power (kW):	0.590	Rated Height Separation (ft):	
Rated Heating Capacity (Btu/hr):	12,000		
Heating Input Power (kW):	0.79		

### INDOOR UNIT DETAILS

Power Supply (V/Hz/Ph):	208-230 / 60 / 1	Airflow Rate (H/M/L/SL) (CFM):	381/279/194/145
Power Supply Connections:	See Outdoor Unit for Electrical Specs	Moisture Removal (Gal/hr):	2.4
Min. Circuit Amps MCA (A):		Gas Pipe Connection (inch):	3/8
Max Overcurrent Protection (MOP) (A):		Liquid Pipe Connection (inch):	1/4
Dimensions (HxWxD) (in):	11-5/8 x 31-1/2 x 8-7/16	Condensate Connection (inch):	5/8
Panel (HxWxD) (in):		Sound Pressure (H/M) (dBA):	41/22
Net Weight (lb):	20	Sound Power Level (dBA):	
Panel Weight (lb):		Ext. Static Pressure (Rated/Max) (inWg):	0.00 / 0.00



### Submittal Data Sheet

FTXS09LVJU - FTXS09LVJU

Project: THE PARK DANFORTH

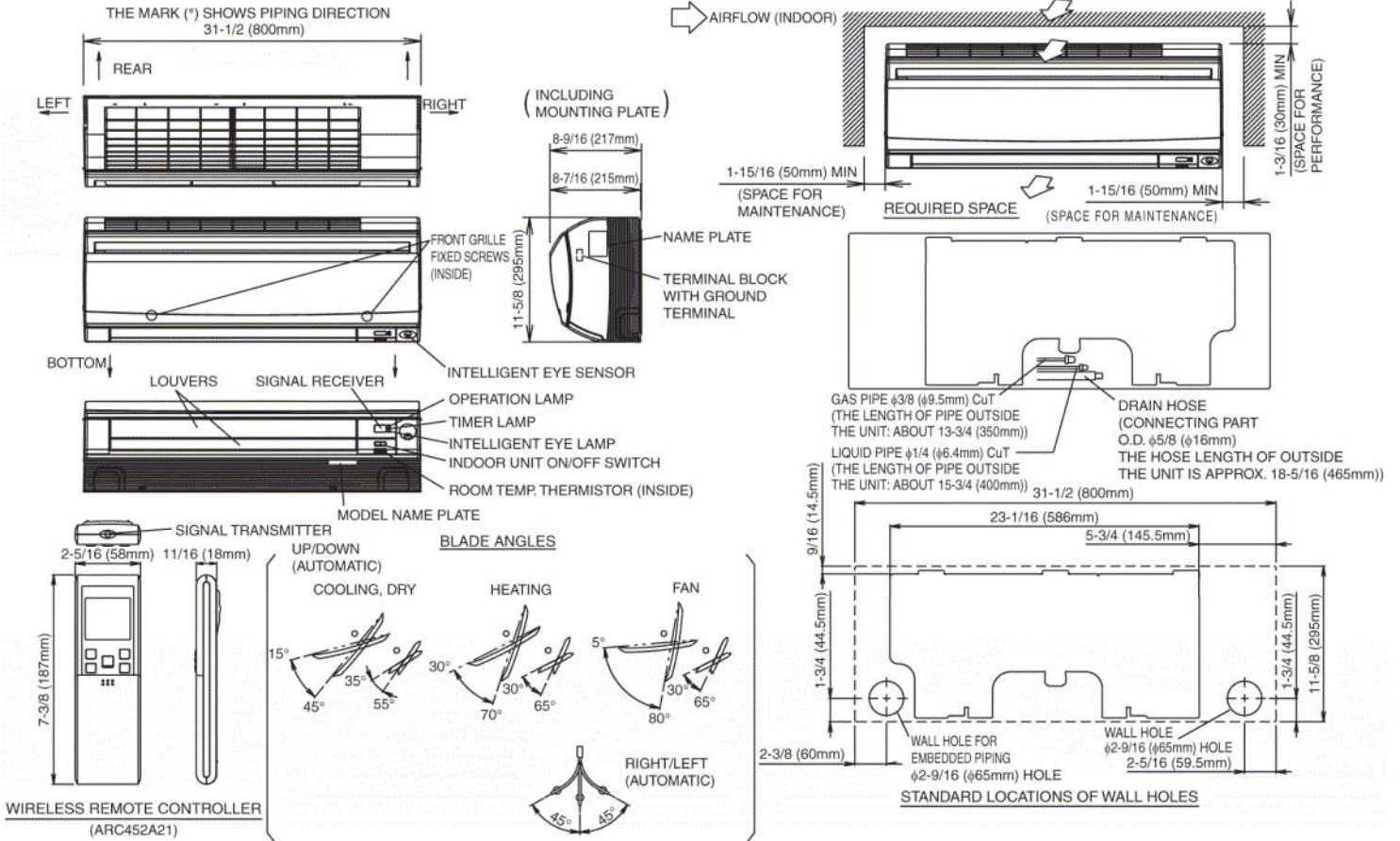
Submitted by: David Chadwick of F W WEBB CO on 12/3/2015

Submitted to: WARREN MECANICAL

Tags: AC-7D 8A 8B 8C 8D 13B 14A 16D

## DIMENSIONAL DRAWING

### FTXS09,12LVJU





## Submittal Data Sheet

FTXS12LVJU - FTXS12LVJU

Project: THE PARK DANFORTH

Submitted by: David Chadwick of F W WEBB CO on 12/3/2015

Submitted to: WARREN MECANICAL

Tags: AC- 9C 9D 10A 10B 10C 10D 13C

## FEATURES

- Intelligent eye occupancy sensor
- Weekly timer for programmable comfort
- Low ambient heat operation down to 0° F
- Titanium apatite photocatalytic air purifying
- 12 year limited parts and compressor warranty with online registration

## BENEFITS

- Quiet operation





## Submittal Data Sheet

FTXS12LVJU - FTXS12LVJU

Project: THE PARK DANFORTH

Submitted by: David Chadwick of F W WEBB CO on 12/3/2015

Submitted to: WARREN MECANICAL

Tags: AC- 9C 9D 10A 10B 10C 10D 13C

### PERFORMANCE

Indoor Unit Model No.	FTXS12LVJU	Indoor Unit Name:	FTXS12LVJU
Type:	Wall Mounted	Rated Cooling Conditions:	Indoor (°F DB/WB): 80 / 67 Ambient (°F DB/WB): 95 / 75
Rated Cooling Capacity (Btu/hr):	12,000	Rated Heating Conditions:	Indoor (°F DB/WB): 70 / 70 Ambient (°F DB/WB): 47 / 43
Sensible Capacity (Btu/hr):	9,250	Rated Piping Length(ft):	
Cooling Input Power (kW):	0.940	Rated Height Separation (ft):	
Rated Heating Capacity (Btu/hr):	14,400		
Heating Input Power (kW):	0.97		

### INDOOR UNIT DETAILS

Power Supply (V/Hz/Ph):	208-230 / 60 / 1	Airflow Rate (H/M/L/SL) (CFM):	403/309/205/155
Power Supply Connections:	See Outdoor Unit for Electrical Specs	Moisture Removal (Gal/hr):	4.0
Min. Circuit Amps MCA (A):		Gas Pipe Connection (inch):	3/8
Max Overcurrent Protection (MOP) (A):		Liquid Pipe Connection (inch):	1/4
Dimensions (HxWxD) (in):	11-5/8 x 31-1/2 x 8-7/16	Condensate Connection (inch):	5/8
Panel (HxWxD) (in):		Sound Pressure (H/M) (dBA):	45/23
Net Weight (lb):	22	Sound Power Level (dBA):	
Panel Weight (lb):		Ext. Static Pressure (Rated/Max) (inWg):	0.00 / 0.00

### Submittal Data Sheet

FTXS12LVJU - FTXS12LVJU

Project: THE PARK DANFORTH

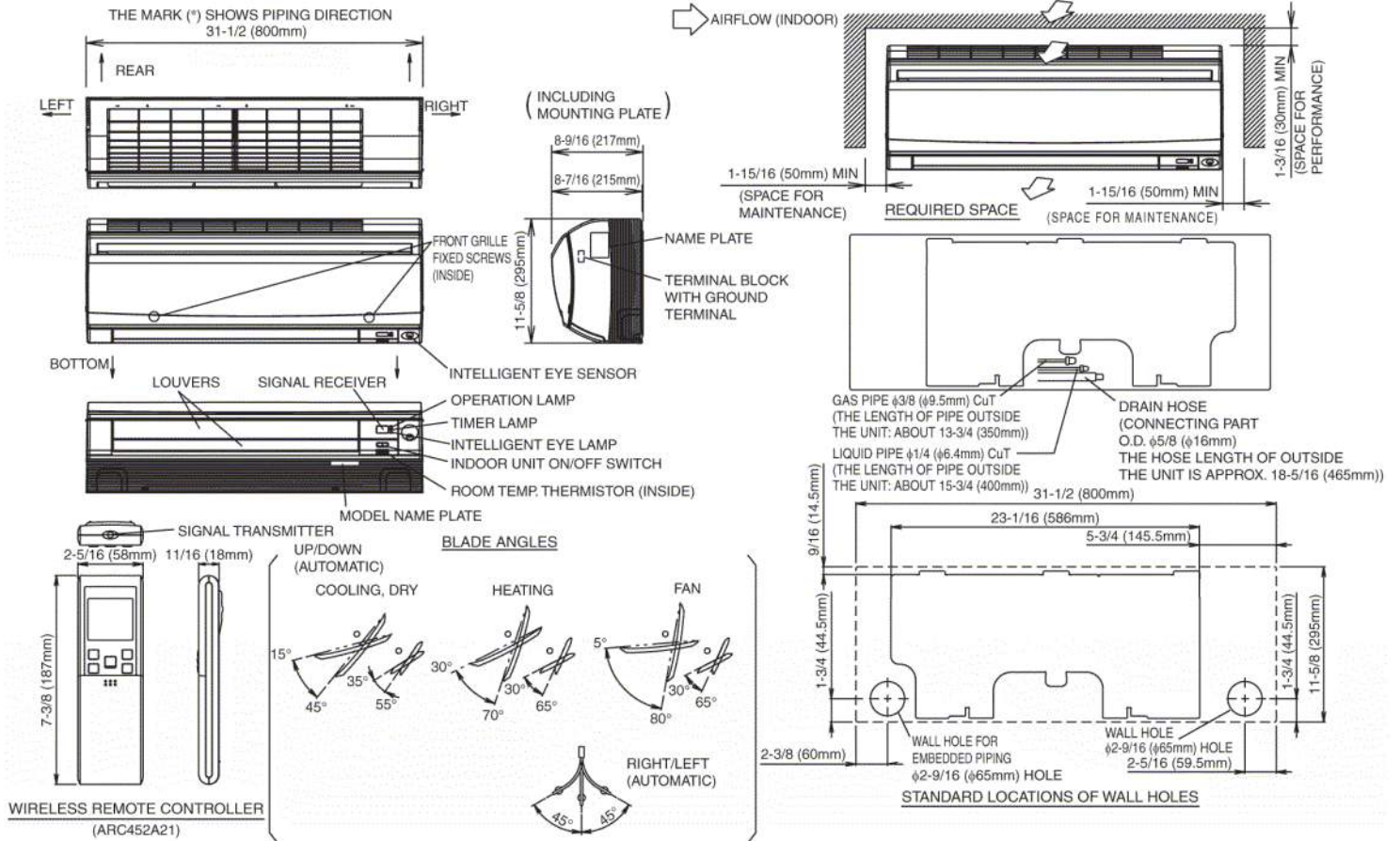
Submitted by: David Chadwick of F W WEBB CO on 12/3/2015

Submitted to: WARREN MECANICAL

Tags: AC- 9C 9D 10A 10B 10C 10D 13C

## DIMENSIONAL DRAWING

### FTXS09,12LVJU





## Submittal Data Sheet

FTXS15LVJU - FTXS15LVJU

Project: THE PARK DANFORTH

Submitted by: David Chadwick of F W WEBB CO on 12/3/2015

Submitted to: WARREN MECANICAL

Tags: AC- 7C 13A

## FEATURES

- Intelligent eye occupancy sensor
- Weekly timer for programmable comfort
- Low ambient heat operation down to 0° F
- Titanium apatite photocatalytic air purifying
- 12 year limited parts and compressor warranty with online registration

## BENEFITS

- Quiet operation





## Submittal Data Sheet

FTXS15LVJU - FTXS15LVJU

Project: THE PARK DANFORTH

Submitted by: David Chadwick of F W WEBB CO on 12/3/2015

Submitted to: WARREN MECANICAL

Tags: AC- 7C 13A

### PERFORMANCE

Indoor Unit Model No.	FTXS15LVJU	Indoor Unit Name:	FTXS15LVJU
Type:	Wall Mounted	Rated Cooling Conditions:	Indoor (°F DB/WB): 80 / 67 Ambient (°F DB/WB): 95 / 75
Rated Cooling Capacity (Btu/hr):	15,000	Rated Heating Conditions:	Indoor (°F DB/WB): 70 / 70 Ambient (°F DB/WB): 47 / 43
Sensible Capacity (Btu/hr):		Rated Piping Length(ft):	
Cooling Input Power (kW):	0.040	Rated Height Separation (ft):	
Rated Heating Capacity (Btu/hr):	18,000		
Heating Input Power (kW):	0.04		

### INDOOR UNIT DETAILS

Power Supply (V/Hz/Ph):	208-230 / 60 / 1	Airflow Rate (H/M/L/SL) (CFM):	568/385/360/360
Power Supply Connections:	See Outdoor Unit for Electrical Specs	Moisture Removal (Gal/hr):	0.8
Min. Circuit Amps MCA (A):		Gas Pipe Connection (inch):	1/2
Max Overcurrent Protection (MOP) (A):		Liquid Pipe Connection (inch):	1/4
Dimensions (HxWxD) (in):	13 x 45-11/16 x 16-7/8	Condensate Connection (inch):	5/8
Panel (HxWxD) (in):		Sound Pressure (H/M/L/SL) (dBA):	45/32/32/32
Net Weight (lb):	31	Sound Power Level (dBA):	61
Panel Weight (lb):		Ext. Static Pressure (Rated/Max) (inWg):	0.00 / 0.00



### Submittal Data Sheet

FTXS15LVJU - FTXS15LVJU

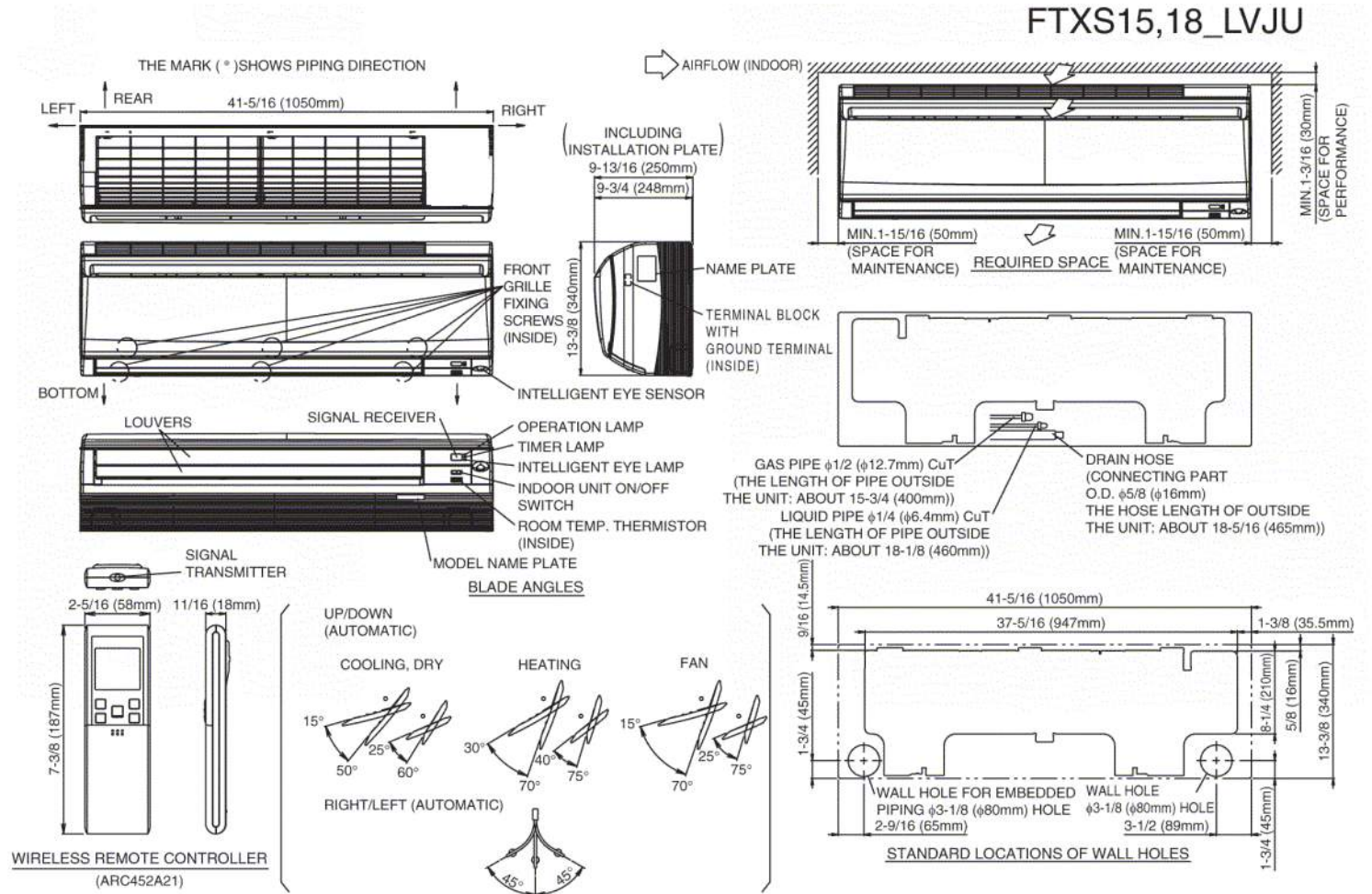
Project: THE PARK DANFORTH

Submitted by: David Chadwick of F W WEBB CO on 12/3/2015

Submitted to: WARREN MECANICAL

Tags: AC- 7C 13A

## DIMENSIONAL DRAWING





## Submittal Data Sheet

0.75-Ton 2x2 Ceiling Cassette - FFQ09LVJU

Project: THE PARK DANFORTH

Submitted by: David Chadwick of F W WEBB CO on 12/3/2015

Submitted to: WARREN MECANICAL

Tags: AC-4C 3A 5B 5C 5D 7A 7B 11B 14B 14C 14D 15A 15C 15D 16A

## FEATURES

- 2,3, or 4-way airflow pattern
- Built-in condensate pump (up to 22")
- Fresh air intake knockout
- Matches with multi-split MXS outdoor models only
- 12 year limited parts and compressor warranty with online registration

## BENEFITS

- Compact design







## Submittal Data Sheet

0.75-Ton 2x2 Ceiling Cassette - FFQ09LVJU

Project: THE PARK DANFORTH

Submitted by: David Chadwick of F W WEBB CO on 12/3/2015

Submitted to: WARREN MECANICAL

Tags: AC-4C 3A 5B 5C 5D 7A 7B 11B 14B 14C 14D 15A 15C 15D 16A

### PERFORMANCE

Indoor Unit Model No.	FFQ09LVJU	Indoor Unit Name:	0.75-Ton 2x2 Ceiling Cassette
Type:	Ceiling Cassette	Rated Cooling Conditions:	Indoor (°F DB/WB): 80 / 67 Ambient (°F DB/WB): 95 / 75
Rated Cooling Capacity (Btu/hr):	9,500	Rated Heating Conditions:	Indoor (°F DB/WB): 70 / 70 Ambient (°F DB/WB): 47 / 43
Sensible Capacity (Btu/hr):		Rated Piping Length(ft):	
Cooling Input Power (kW):		Rated Height Separation (ft):	
Rated Heating Capacity (Btu/hr):	11,100		

### INDOOR UNIT DETAILS

Power Supply (V/Hz/Ph):	208-230 / 60 / 1	Airflow Rate (H/L) (CFM):	318/230
Power Supply Connections:	See Outdoor Unit for Electrical Specs	Moisture Removal (Gal/hr):	
Min. Circuit Amps MCA (A):		Gas Pipe Connection (inch):	3/8
Max Overcurrent Protection (MOP) (A):		Liquid Pipe Connection (inch):	1/4
Dimensions (HxWxD) (in):	11-1/4 x 22-5/8 x 22-5/8	Condensate Connection (inch):	1-1/32
Panel (HxWxD) (in):	2 5/32 x 27 9/16 x 27 9/16	Sound Pressure (H/M/L) (dBA):	35/33/33
Net Weight (lb):	39	Sound Power Level (dBA):	
Panel Weight (lb):	48	Ext. Static Pressure (Rated/Max) (inWg):	0.00 / 0.00





## Submittal Data Sheet

1.0-Ton 2x2 Ceiling Cassette - FFQ12LVJU

Project: THE PARK DANFORTH

Submitted by: David Chadwick of F W WEBB CO on 12/3/2015

Submitted to: WARREN MECANICAL

Tags: AC- 5A 6B 6C 11A 11A 12A 12B 15B

## FEATURES

- 2,3, or 4-way airflow pattern
- Built-in condensate pump (up to 22")
- Fresh air intake knockout
- Matches with multi-split MXS outdoor models only
- 12 year limited parts and compressor warranty with online registration

## BENEFITS

- Compact design





## Submittal Data Sheet

1.0-Ton 2x2 Ceiling Cassette - FFQ12LVJU

Project: THE PARK DANFORTH

Submitted by: David Chadwick of F W WEBB CO on 12/3/2015

Submitted to: WARREN MECANICAL

Tags: AC- 5A 6B 6C 11A 11A 12A 12B 15B

### PERFORMANCE

Indoor Unit Model No.	FFQ12LVJU	Indoor Unit Name:	1.0-Ton 2x2 Ceiling Cassette
Type:	Ceiling Cassette	Rated Cooling Conditions:	Indoor (°F DB/WB): 80 / 67 Ambient (°F DB/WB): 95 / 75
Rated Cooling Capacity (Btu/hr):	12,000	Rated Heating Conditions:	Indoor (°F DB/WB): 70 / 70 Ambient (°F DB/WB): 47 / 43
Sensible Capacity (Btu/hr):		Rated Piping Length(ft):	
Cooling Input Power (kW):		Rated Height Separation (ft):	
Rated Heating Capacity (Btu/hr):	14,000		

### INDOOR UNIT DETAILS

Power Supply (V/Hz/Ph):	208-230 / 60 / 1	Airflow Rate (H/L) (CFM):	353/230
Power Supply Connections:	See Outdoor Unit for Electrical Specs	Moisture Removal (Gal/hr):	
Min. Circuit Amps MCA (A):		Gas Pipe Connection (inch):	3/8
Max Overcurrent Protection (MOP) (A):		Liquid Pipe Connection (inch):	1/4
Dimensions (HxWxD) (in):	11-1/4 x 22-5/8 x 22-5/8	Condensate Connection (inch):	1-1/32
Panel (HxWxD) (in):	2 5/32 x 27 9/16 x 27 9/16	Sound Pressure (H/M/L) (dBA):	35/33/33
Net Weight (lb):	39	Sound Power Level (dBA):	
Panel Weight (lb):	48	Ext. Static Pressure (Rated/Max) (inWg):	0.00 / 0.00

### Submittal Data Sheet

1.0-Ton 2x2 Ceiling Cassette - FFQ12LVJU

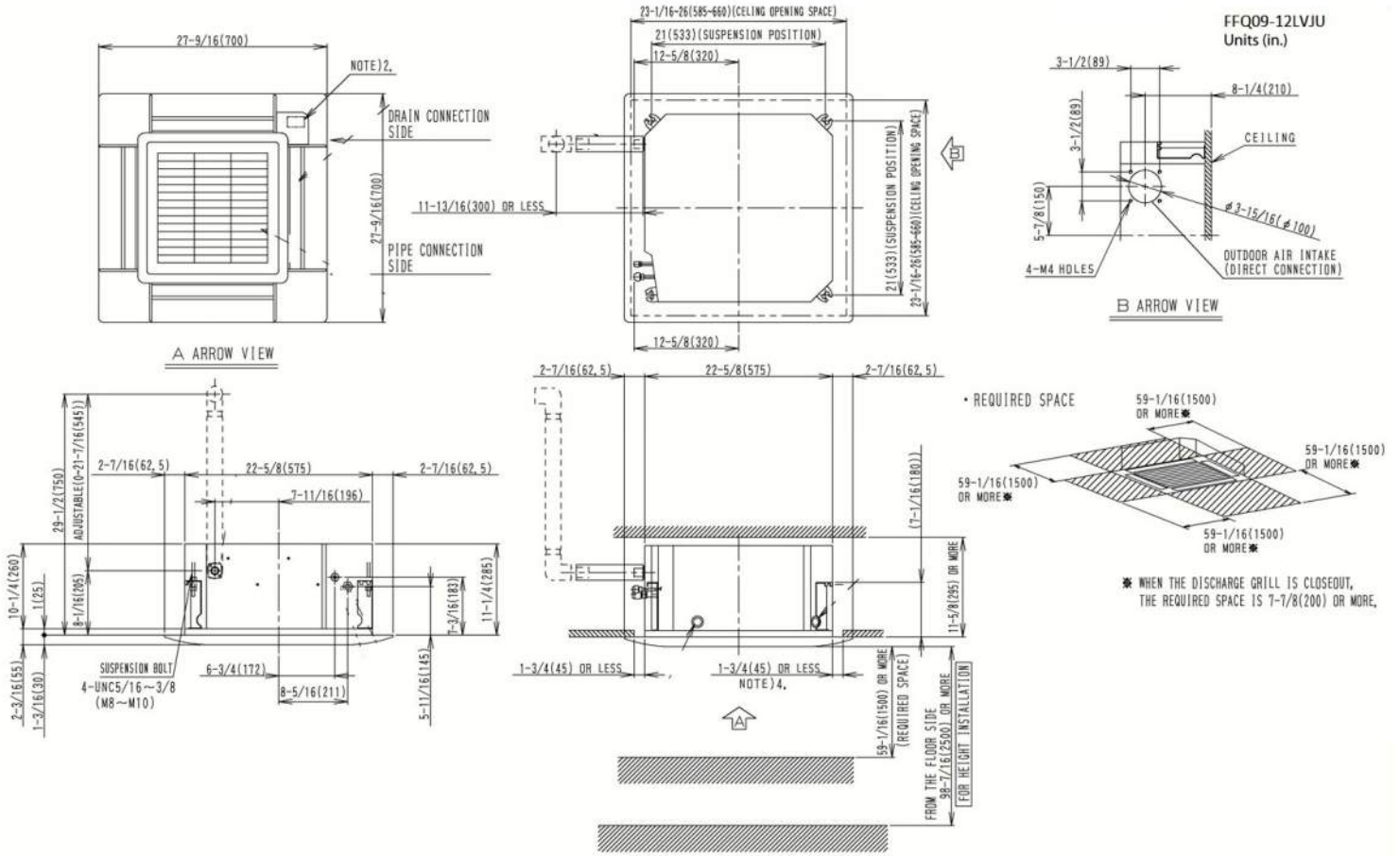
Project: THE PARK DANFORTH

Submitted by: David Chadwick of F W WEBB CO on 12/3/2015

Submitted to: WARREN MECANICAL

Tags: AC- 5A 6B 6C 11A 11A 12A 12B 15B

## DIMENSIONAL DRAWING





## Submittal Data Sheet

1.25-Ton 2x2 Ceiling Cassette - FFQ15LVJU

Project: THE PARK DANFORTH

Submitted by: David Chadwick of F W WEBB CO on 12/3/2015

Submitted to: WARREN MECHANICAL

Tags: AC-4A 4B 6A 9A 9B 12C

## FEATURES

- 2,3, or 4-way airflow pattern
- Built-in condensate pump (up to 22")
- Fresh air intake knockout
- Matches with multi-split MXS outdoor models only
- 12 year limited parts and compressor warranty with online registration

## BENEFITS

- Compact design





## Submittal Data Sheet

1.25-Ton 2x2 Ceiling Cassette - FFQ15LVJU

Project: THE PARK DANFORTH

Submitted by: David Chadwick of F W WEBB CO on 12/3/2015

Submitted to: WARREN MECANICAL

Tags: AC-4A 4B 6A 9A 9B 12C

### PERFORMANCE

Indoor Unit Model No.	FFQ15LVJU	Indoor Unit Name:	1.25-Ton 2x2 Ceiling Cassette
Type:	Ceiling Cassette	Rated Cooling Conditions:	Indoor (°F DB/WB): 80 / 67 Ambient (°F DB/WB): 95 / 75
Rated Cooling Capacity (Btu/hr):	15,000	Rated Heating Conditions:	Indoor (°F DB/WB): 70 / 70 Ambient (°F DB/WB): 47 / 43
Sensible Capacity (Btu/hr):		Rated Piping Length(ft):	
Cooling Input Power (kW):		Rated Height Separation (ft):	
Rated Heating Capacity (Btu/hr):	17,500		

### INDOOR UNIT DETAILS

Power Supply (V/Hz/Ph):	208-230 / 60 / 1	Airflow Rate (H/L) (CFM):	424/283
Power Supply Connections:	See Outdoor Unit for Electrical Specs	Moisture Removal (Gal/hr):	
Min. Circuit Amps MCA (A):		Gas Pipe Connection (inch):	1/2
Max Overcurrent Protection (MOP) (A):		Liquid Pipe Connection (inch):	1/4
Dimensions (HxWxD) (in):	11-1/4 x 22-5/8 x 22-5/8	Condensate Connection (inch):	1-1/32
Panel (HxWxD) (in):	2 5/32 x 27 9/16 x 27 9/16	Sound Pressure (H/M/L/SL) (dBA):	37/35/33/31
Net Weight (lb):	39	Sound Power Level (dBA):	
Panel Weight (lb):	48	Ext. Static Pressure (Rated/Max) (inWg):	0.00 / 0.00

# Submittal Data Sheet

1.25-Ton 2x2 Ceiling Cassette - FFQ15LVJU

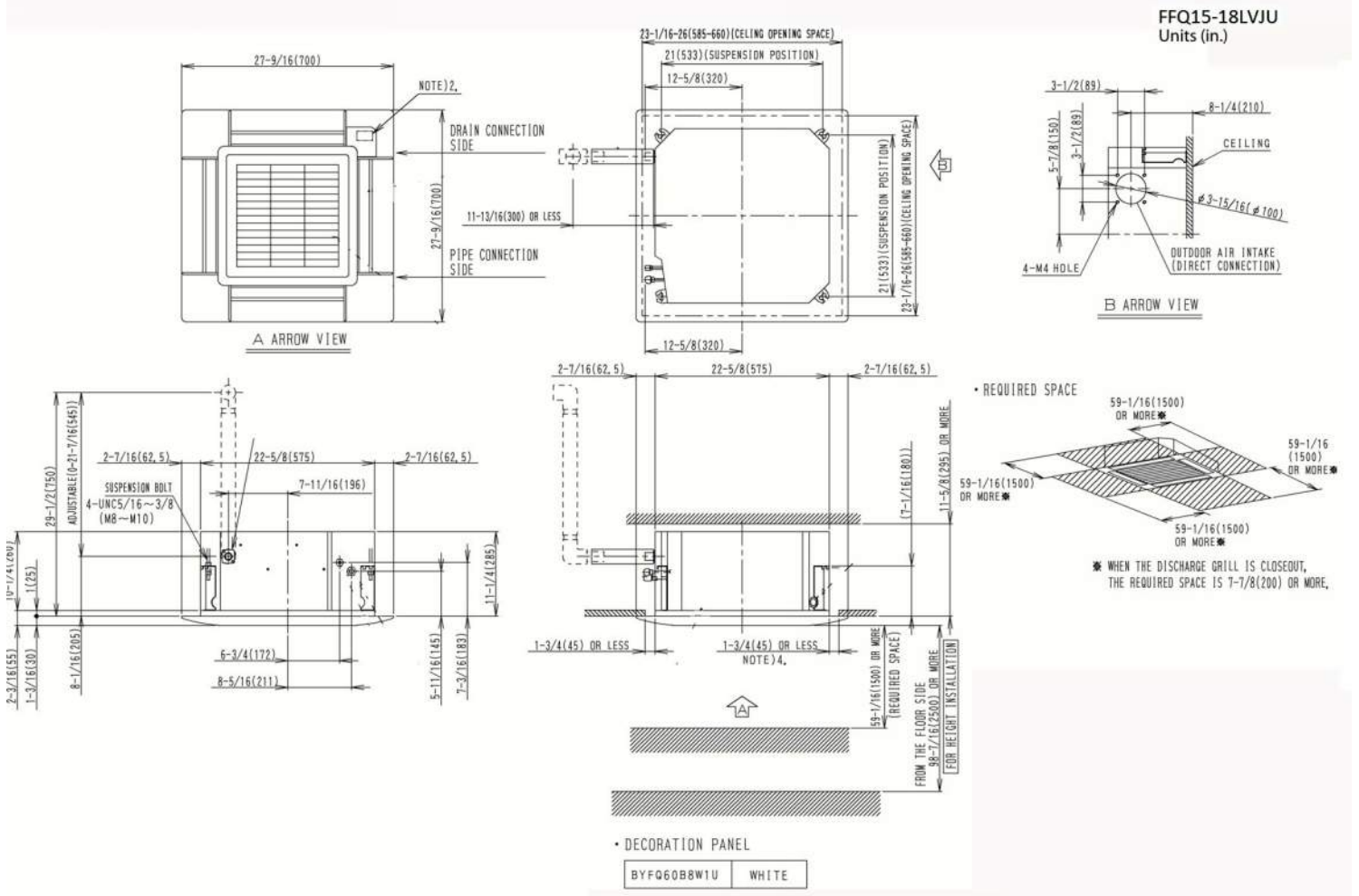
Project: THE PARK DANFORTH

Submitted by: David Chadwick of F W WEBB CO on 12/3/2015

Submitted to: WARREN MECANICAL

Tags: AC-4A 4B 6A 9A 9B 12C

## DIMENSIONAL DRAWING





# Submittal Data Sheet

## BRC1E73 - Navigation Remote Controller

Project Name:	Approval:
Location:	Date:
Engineer:	Construction:
Submitted to:	Unit #:
Submitted by:	Drawing #:
Reference:	

**OK FOR "NON - APARTMENT" SPACES**

**Model Compatibility:**

For use with the following VRV indoor unit models: FXAQ, FXDQ, FXEQ, FXFQ, FXHQ, FXLQ, FXMQ, FXMQ\_MF, FXNQ, FXTQ, FXUQ, FXZQ  
 For use with the following Daikin SkyAir indoor unit models: FAQ, FBQ, FCQ, FHQ, FTQ

**Specifications:**

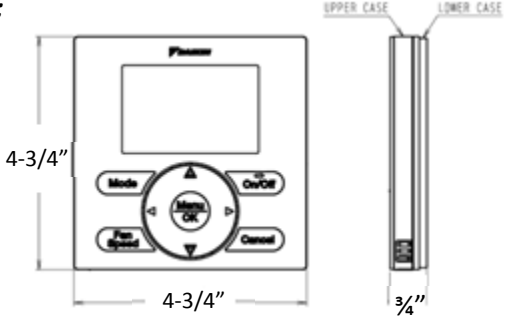
Model	BRC1E73
Description	Navigation Remote Controller
Maximum Connections	16 indoor units
Communication Wire	18AWG-2, No polarity Stranded, Non-shielded
Total Wiring Length	1,640 ft. (500 m)
Communication Protocol	Daikin Proprietary P1P2 protocol
Power	16VDC supplied by Indoor unit (1.58VA maximum)
Comfort Setpoint Range	60 to 90 °F (16 to 32 °C)
Setback Setpoint Range	40 to 95 °F (5 to 35 °C)
Operating Temp Range	14 to 122 °F (-10 to 50 °C)
Operating Humidity Range	75% or less (RH) (w/o condensation)
Dimensions (WxHxD)	4.72x4.72x0.75 inch (120x120x19 mm)
Weight (Mass)	0.42 lbs. (0.19 kg)

**Product Image:**

1 of 3 display options – Detailed display shown



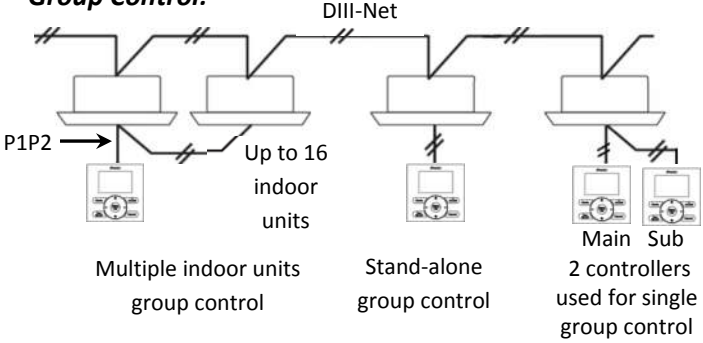
**Dimensions:**



**Features/Benefits:**

1. Up to 16 indoor units are controllable within one group
2. Within one group, up to 2 Navigation Remote Controllers can be used, one as a main and one as a sub
3. Backlit LCD displays in English, Spanish or French
4. Temperature sensor built-in with configurable offset
5. Display of Temperature and Setpoint in 1°F / °C increments
6. Three configurable display options: Detailed, Standard and Simple
7. Dual setpoints (independent cooling and heating setpoints) with configurable minimum setpoint differential or Single Setpoint (occupied period)
8. Setpoint range limit for cooling and heating modes
9. Independent cooling and heating setback setpoints (unoccupied period)
10. Auto changeover control with configurable Primary changeover at setpoint ±1° F with guard timer

**Group Control:**



Daikin North America LLC, 5151 San Felipe Suite 500, Houston, TX 77056

Daikin North America LLC Controls Engineering Department Generated Submittal Data

[www.daikinac.com](http://www.daikinac.com)

(Daikin's products are subject to continuous improvements. Daikin reserves the right to modify product design, specifications and information in this data sheet without notice and without incurring any obligations)



# Submittal Data Sheet

## BRC1E73 - Navigation Remote Controller

Project Name:	Approval:
Location:	Date:
Engineer:	Construction:
Submitted to:	Unit #:
Submitted by:	Drawing #:
Reference:	

11. Airflow – Individual air flow direction, dual airflow and auto draft prevention (prevents air blowing directly on occupants)\*
12. Built-in 7, 5+2, 5+1+1 and 1 (Everyday) schedules with up to 5 actions per day with independent cooling and heating or setback setpoints
13. Automatic Setback by occupancy sensor\*
14. Automatic Off by occupancy sensor\*
15. Configuration for Self-cleaning filter panel\*\*
16. Automatic adjustment for Daylight Savings Time (DST)
17. 48 hour clock/calendar battery backup (protects schedule timing in cases of short term power loss from indoor unit)
18. Real-time monitoring of system malfunctions with immediate display of unit in error and error code
19. The buttons on the remote controller are selectable by locking out the unwanted buttons
20. The operation modes can be restricted to provide only the desired mode(s) of operation
21. Display can be configured to show “Off” and room temperature only when indoor unit is turned off
22. To prevent unwanted changes, fan speed selection and display may be hidden
23. Auto off timer configurable in 10 minute increments (range 30-180 minutes)
24. Can be used to replace earlier versions of remote controllers

\* Available for FXFQ\_TVJU and FXUQ\_PVJU indoor units  
 \*\*Available for FXTQ\_TVJU indoor units

**Auto changeover:**

Automatic changeover is available for Heat Pump system and Heat Recovery systems. The setpoint for cooling and heating are configurable with a minimum differential of 0 to 7°F or single setpoint. The changeover is automatically controlled to happen in either of the following two cases:

Case 1: Changeover at the primary changeover temperature after the guard timer expires.

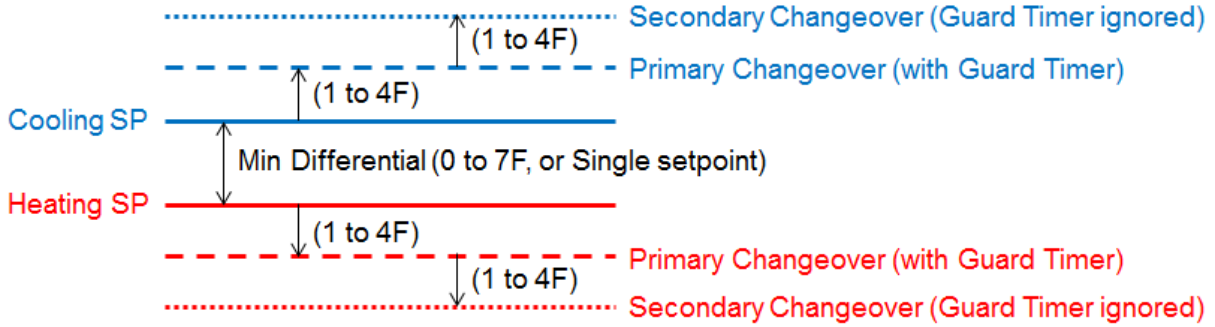
1. In default, the primary changeover setpoint is 1°F above cooling setpoint or 1°F below heating setpoint, which is configurable between 1°F – 4°F.
2. In default, the guard timer is 60 minutes, which is selectable among 15, 30, 60 (default) or 90 minutes.
3. The initiation of guard timer is built in to help prevent frequent changeover which may cause energy loss.

Case 2: Changeover at the secondary changeover temperature.

1. In default, the secondary changeover temperature is 1°F above the primary changeover temperature for cooling or 1°F below the primary changeover temperature for heating, which is configurable between 1°F – 4°F.
2. Case 2 will happen while the guard time is active in case 1.

Daikin North America LLC, 5151 San Felipe Suite 500, Houston, TX 77056

Project Name: _____	Approval: _____
Location: _____	Date: _____
Engineer: _____	Construction: _____
Submitted to: _____	Unit #: _____
Submitted by: _____	Drawing #: _____
Reference: _____	



**Face Decal Options:**

Face decal options to hide unnecessary buttons

1. The face decal is designed to adhere to the BRC1E faceplate
2. Hidden buttons can be used/accessed by service personnel without removing the face decal due to its flexibility



Used with	Single Setpoint mode			Dual Setpoint mode		
	BRC1E72RM	BRC1E72RF	BRC1E72RMF	BRC1E72RM2	BRC1E72RF2	BRC1E72RMF2
<b>Model</b>						
<b>On/Off</b>	X	X	X	X	X	X
<b>Mode</b>	X		X	X		X
<b>Fan</b>		X	X		X	X
<b>Up, Down</b>	X	X	X	X	X	X
<b>Left, Right</b>				X	X	X
<b>Menu/Ok</b>						
<b>Cancel</b>						

Daikin North America LLC, 5151 San Felipe Suite 500, Houston, TX 77056

Daikin North America LLC Controls Engineering Department Generated Submittal Data

[www.daikinac.com](http://www.daikinac.com)

(Daikin's products are subject to continuous improvements. Daikin reserves the right to modify product design, specifications and information in this data sheet without notice and without incurring any obligations)







Project Name: \_\_\_\_\_  
 Location: \_\_\_\_\_  
 Engineer: \_\_\_\_\_  
 Submitted to: \_\_\_\_\_  
 Submitted by: \_\_\_\_\_  
 Reference: \_\_\_\_\_

Approval: \_\_\_\_\_  
 Date: \_\_\_\_\_  
 Construction: \_\_\_\_\_  
 Unit #: \_\_\_\_\_  
 Drawing #: \_\_\_\_\_

**Face Decal Options:**

- Face decal options to hide unnecessary buttons
  - Hidden buttons can be used/accessed by service personnel without removing the face decal due to its flexibility



Used with	Single Setpoint mode			Dual Setpoint mode		
	BRC1E72RM	BRC1E72RF	BRC1E72RMF	BRC1E72RM2	BRC1E72RF2	BRC1E72RMF2
Model						
On/Off	X	X	X	X	X	X
Mode	X		X	X		X
Fan		X	X		X	X
Up, Down	X	X	X	X	X	X
Left, Right				X	X	X
Menu/OK						
Cancel						

## THE PARK DANFORTH LINE SET TYPICAL FOR DUCTLESS SPLITS



100% MADE IN THE USA



# GELCOPPER™ PREINSULATED COPPER ROLL

## APPLICATIONS

It perfectly fits every air conditioning, such as ductless mini-splits, VRF, heat pumps and centralized air ducted units.

## TECHNICAL SPECS

### INSULATION

**Polyethylene closed cell foam:** assures thermal insulation from surroundings.

ASTM C 1427-07 compliant

Type I (tubular)

Grade I (insulation material for use on typical commercial system non-crosslinked).

**Low-density polyethylene foam:** closed cells foam, CFC and HCFC gas free

**Water vapor permeability:** ASTM E96-00 compliant

**Working temperature:** ASTM C 1427-07 compliant

**Wall thickness:** 1/2" and 3/4"

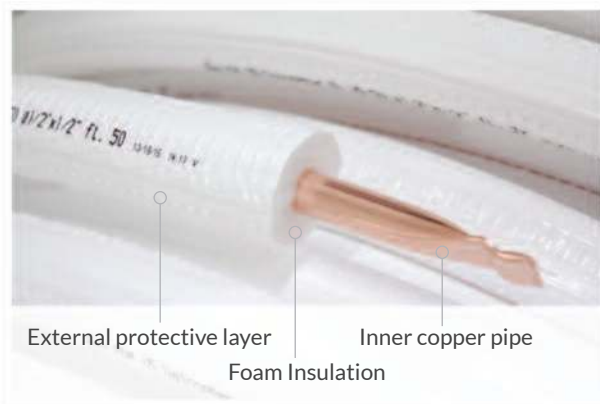
**Surface burning characteristics:** UL 94, top rated - UL 723, ASTM E84 (25/50) compliant, flame and Spread Index less than 25 and Smoke Development Index less than 50 as tested according to UL 723.

**R-Value:** between 6.0 and 3.0 (depending on pipe diameter)

### COPPER

**Pipes:** Manufactured according to ASTM B280

**Copper:** No. C122200 DHP (phosphorous deoxidized, high residual phosphorous), 99.90%.



## SPECIAL FEATURES

**Outer Jacket:** additional white polyethylene jacket cover protects foam insulation from tearing during installation process.

**Marking:** insulation incrementally marked by every foot to ensure accurate initial unit charge.

**R410a approved:** Gelcopper can be used in applications where high-pressure gases are used as refrigeration source.

**UV resistant:** Gelcopper is UV resistant.

**Paintable:** the insulation can be painted to match the surroundings.

PDM US recommends product installation under plastic duct to protect it from severe weather conditions, accidental damages or theft.





100% MADE IN THE USA

# GELCOPPER™ PREINSULATED COPPER ROLL

TRY IT, LOVE IT.

## PRODUCT TABLE

PDM US PART NUMBER	ROLL SIZE	INSULATION	ROLLS (per pallet)	LENGTH (of rolls)
F100.GUS145012	1/4	1/2	26	50 FT
F100.GUS385012	3/8	1/2	22	50 FT
F100.GUS125012	1/2	1/2	20	50 FT
F100.GUS585012	5/8	1/2	14	50 FT
F100.GUS345012	3/4	1/2	14	50 FT
F100.GUS785012	7/8	1/2	14	50 FT
F100.GUS1416412	1/4	1/2	10	164 FT
F100.GUS3816412	3/8	1/2	8	164 FT
F100.GUS1216412	1/2	1/2	8	164 FT
F100.GUS5816412	5/8	1/2	6	164 FT
F100.GUS348212	3/4	1/2	10	82 FT
F100.GUS788212	7/8	1/2	10	82 FT
F100.GUS145034	1/4	3/4	14	50 FT
F100.GUS385034	3/8	3/4	14	50 FT
F100.GUS125034	1/2	3/4	12	50 FT
F100.GUS585034	5/8	3/4	12	50 FT
F100.GUS345034	3/4	3/4	10	50 FT
F100.GUS785034	7/8	3/4	10	50 FT

# THE PARK DANFORTH DUCTLESS SPLIT CONDENSING UNIT WALL BRACKET TYPICAL

## WALL BRACKET

MODEL	DESCRIPTION	WT LBS.
WBB300	WALL BRACKET	11

Sliding cross bar gives this bracket an exceptional equipment width range. Available in a stainless steel version. Includes level for convenience.

### Finish:

WBB300 - Powdercoat

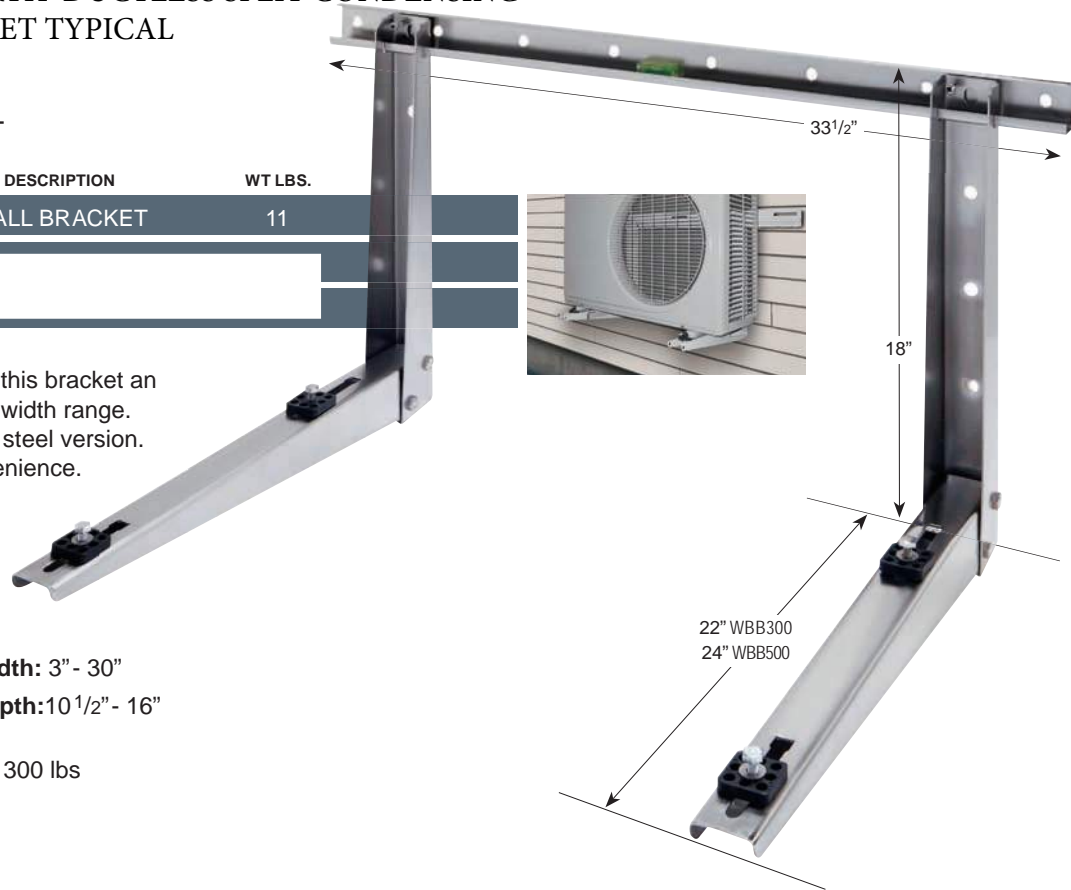
**Min/Max mounting width:** 3" - 30"

**Min/Max mounting depth:** 10 1/2" - 16"

### Max load capacity:

WBB300/WBB300SS - 300 lbs

WBB500 - 500 lbs



T-Stat Approval E-Mail

**Pires, Andrew**

---

**From:** Lisa Noonan <noonanl@parkdanforth.com>  
**Sent:** Thursday, January 28, 2016 4:12 PM  
**To:** Rick Mageles; Scott Timmons  
**Cc:** Pires, Andrew  
**Subject:** RE: Park Danforth / T-Stats

I agree.

Lisa A. B. Noonan, SHRM-SCP  
Chief Operations Officer  
The Park Danforth  
777 Stevens Avenue  
Portland, Maine 04103  
[www.parkdanforth.com](http://www.parkdanforth.com)  
(D) 207-245-6298  
(P) 207-797-7710

**Confidentiality Notice:**

This e-mail message, including any attachments, has been sent from The Park Danforth and is for the sole use of the intended recipient(s). It may contain information that is privileged or confidential. Any unauthorized review, use, disclosure or distribution is prohibited. If you are not the intended recipient, you are asked not to distribute this message. If you are not the intended recipient, please delete it and contact the sender by reply e-mail.

Thank you.

---

**From:** Rick Mageles  
**Sent:** Thursday, January 28, 2016 3:26 PM  
**To:** Scott Timmons; Lisa Noonan  
**Cc:** 'Pires, Andrew'  
**Subject:** RE: Park Danforth / T-Stats

Scott,

We met on this and I believe we decided the digital option would be our choice. I will let Lisa respond too for confirmation.



***Rick***

Rick Mageles  
Director of Environmental Services and Systems  
The Park Danforth  
777 Stevens Avenue  
Portland, Maine 04103  
(Direct) 207-245-6289  
(Office) 207-797-7710  
[magelesr@parkdanforth.com](mailto:magelesr@parkdanforth.com)  
[www.parkdanforth.com](http://www.parkdanforth.com)

Confidentiality Notice:

This e-mail message, including any attachments, has been sent from The Park Danforth and is for the sole use of the intended recipient(s). It may contain information that is privileged or confidential. Any unauthorized review, use, disclosure or distribution is prohibited. If you are not the intended recipient, you are asked not to distribute this message. If you are not the intended recipient, please delete it and contact the sender by reply e-mail.

Thank you.

---

**From:** Scott Timmons [<mailto:scott.timmons@lbpa.com>]  
**Sent:** Thursday, January 28, 2016 1:24 PM  
**To:** Rick Mageles; Lisa Noonan  
**Cc:** 'Pires, Andrew'  
**Subject:** Park Danforth / T-Stats

Hi Rick and Lisa,

Did you have a chance yet to review the T-stats for the resident apartments and decide if you want the old analog or newer digital versions?

Thanks,  
Scott

**Scott Timmons, RA**  
Project Architect

**LAVALLEE | BRENSINGER ARCHITECTS**  
Boston | Manchester | Portland

Office: 603.622.5450 x125

[www.LBPA.com](http://www.LBPA.com) | [LinkedIn](#) | [Facebook](#) | [Twitter](#)

This email message is confidential and/or privileged. It is to be used by the intended recipient only. Use of the information contained in this email by anyone other than the intended recipient is strictly prohibited. If you have received this message in error, please notify sender immediately and promptly destroy any record of this email.