

A

B

C

D

E

F

G

H

I

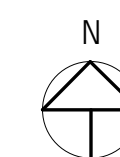
J

The Park Danforth

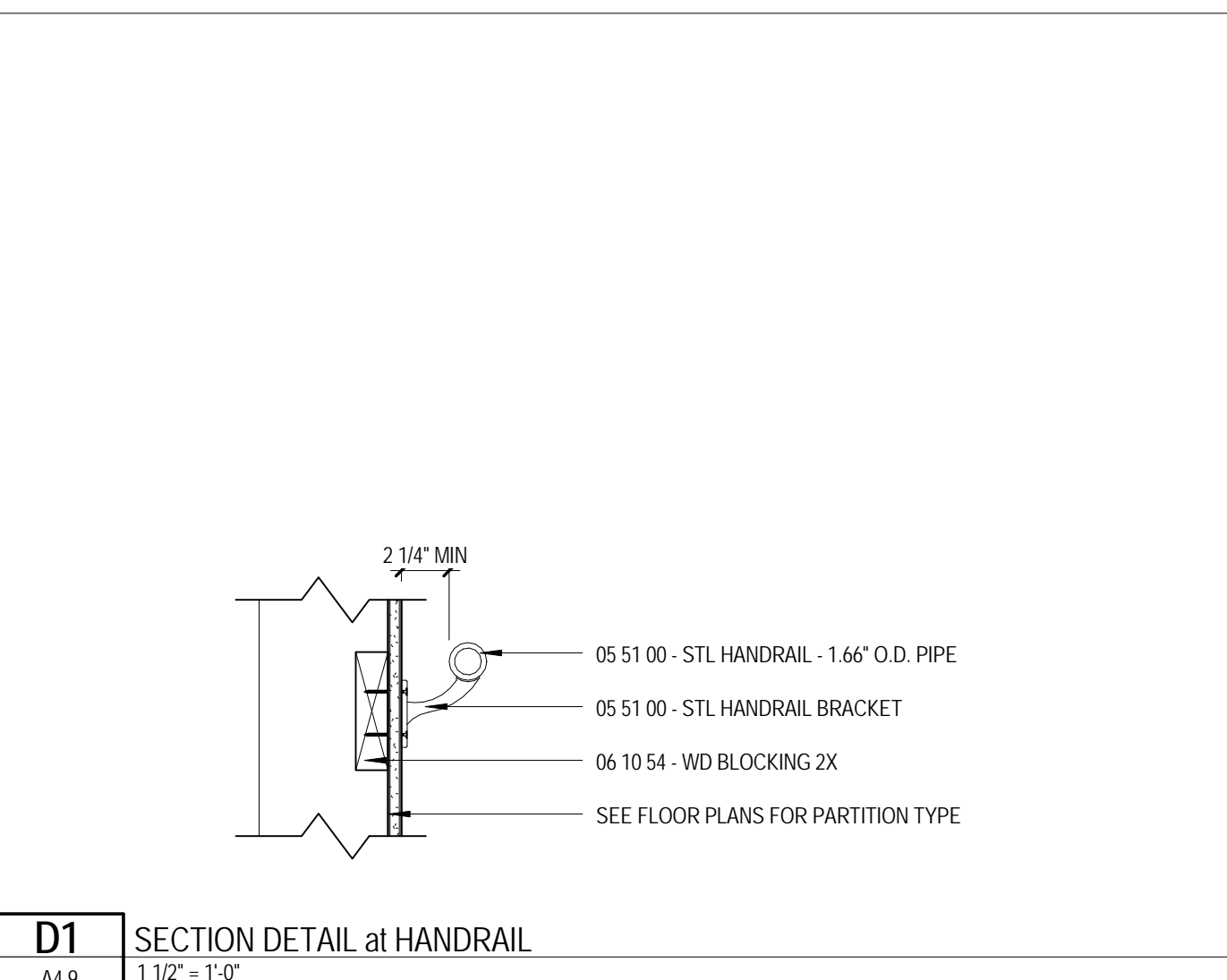
RENOVATIONS AND ADDITIONS

777 Stevens Ave
 Portland, ME 04103

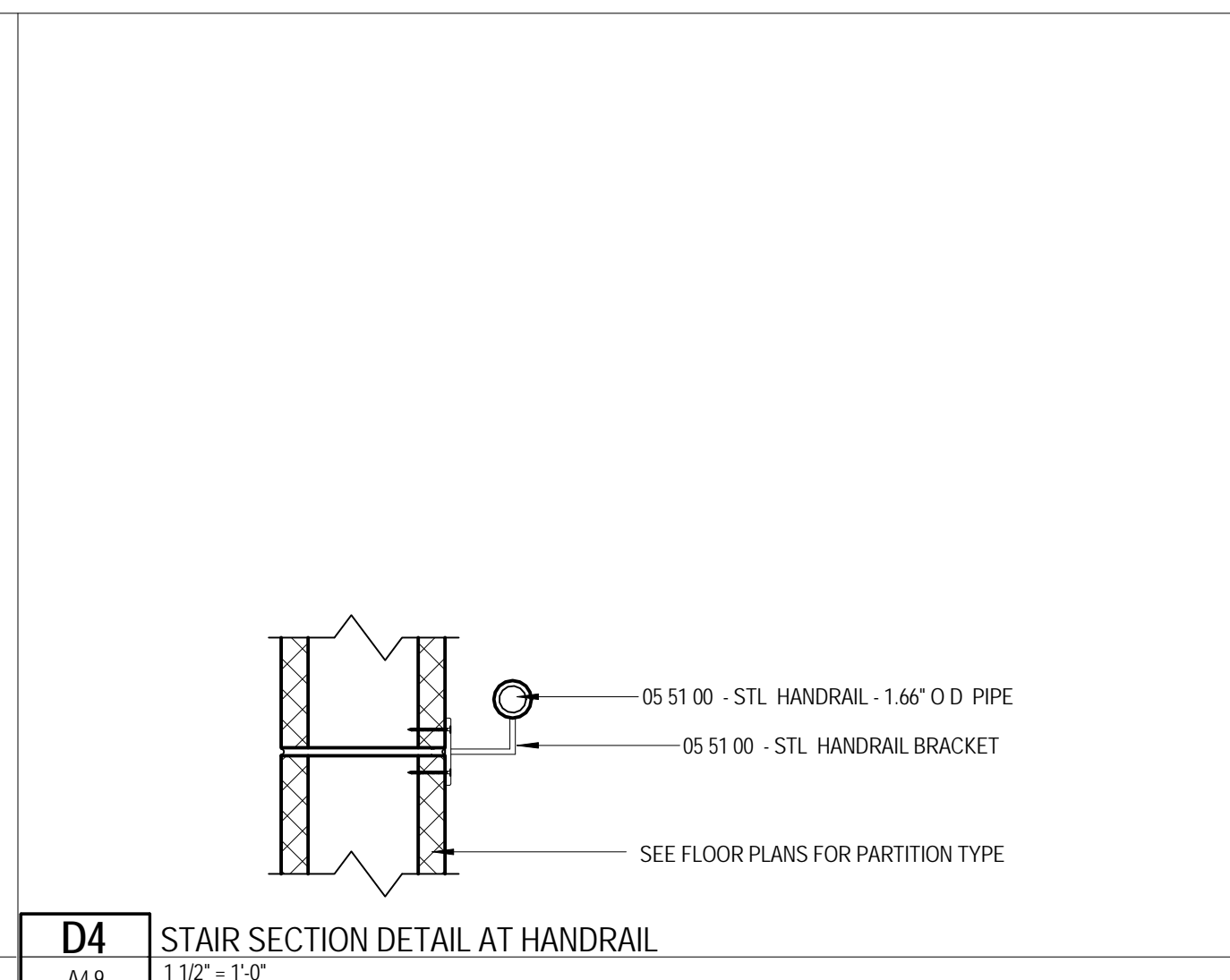
NO.	DESCRIPTION	DATE



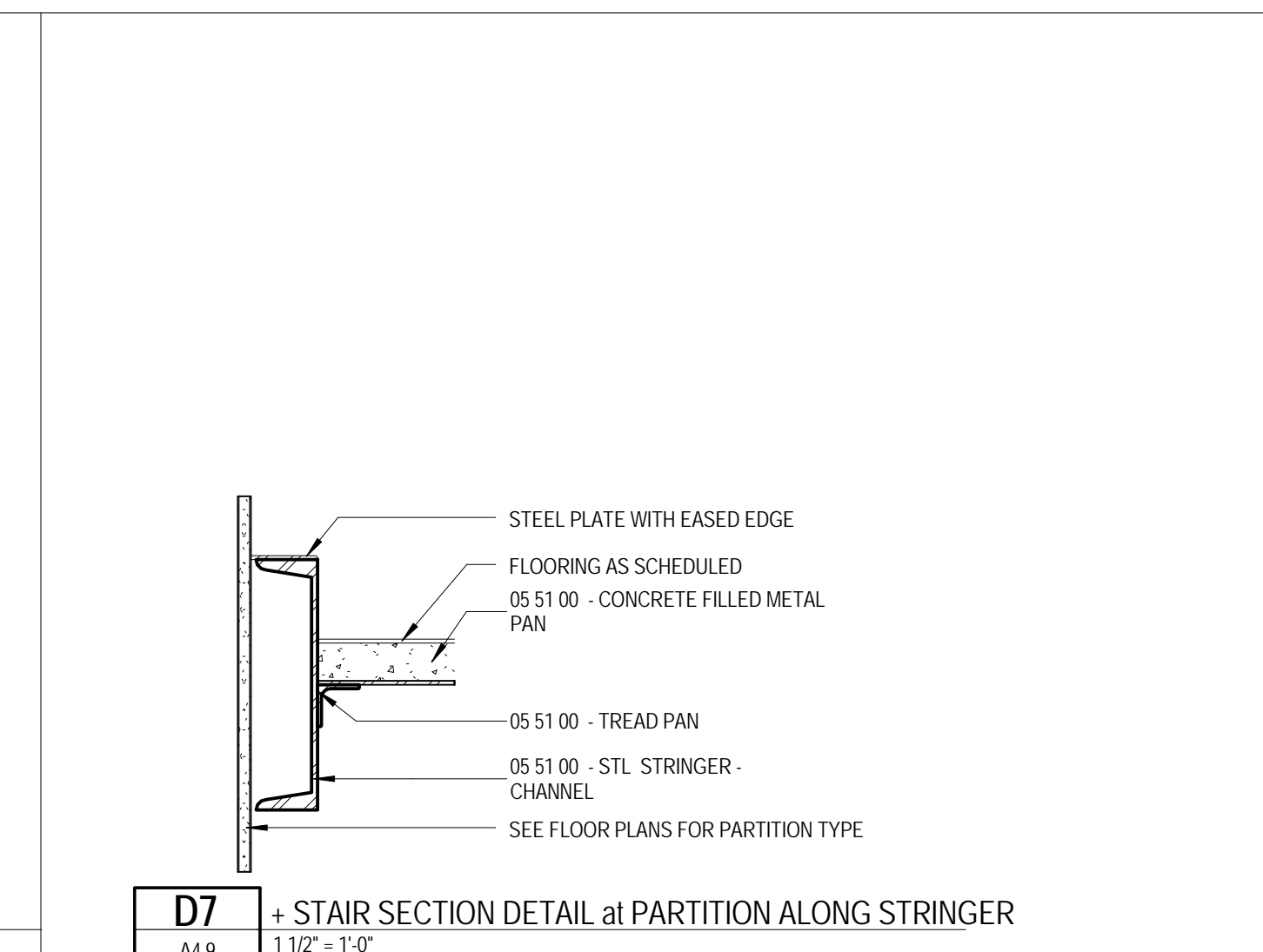
CONTENT: STAIR DETAILS	
DRAWN BY:	KM
PROJECT NO:	13-059-00
DATE:	06/05/2015
REVISED:	10/16/2015
SCALE:	1 1/2" = 1'-0"
A4.9	
Project Phase CONFIRMANCE SET	
<small>COPYRIGHT © 2015 BY LAVALLEE BRENSINGER PROFESSIONAL ASSOCIATION. ALL RIGHTS RESERVED. NO REPRODUCTION WITHOUT PERMISSION.</small>	



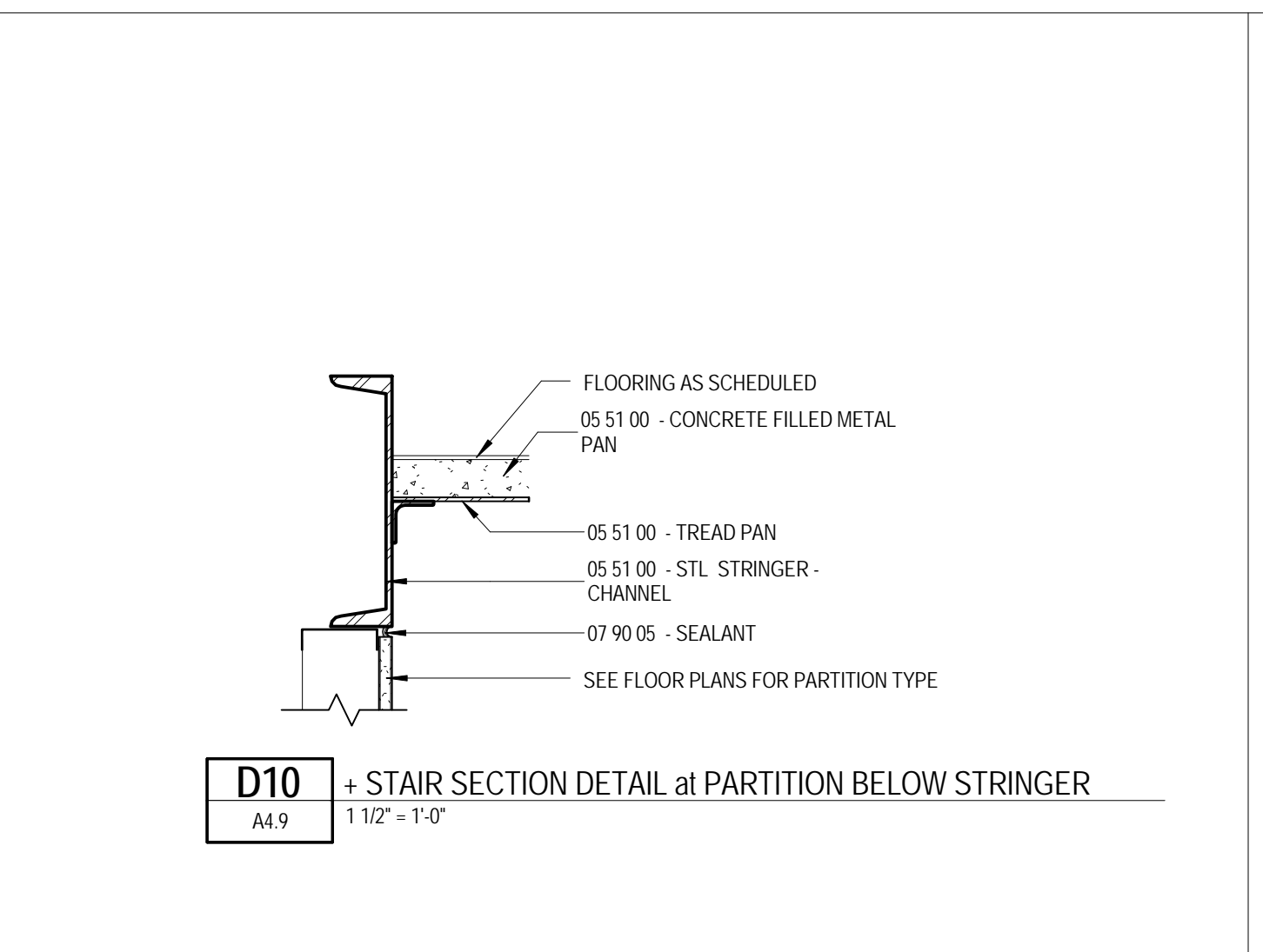
D1 SECTION DETAIL at HANDRAIL
 A4.9 1 1/2" = 1'-0"



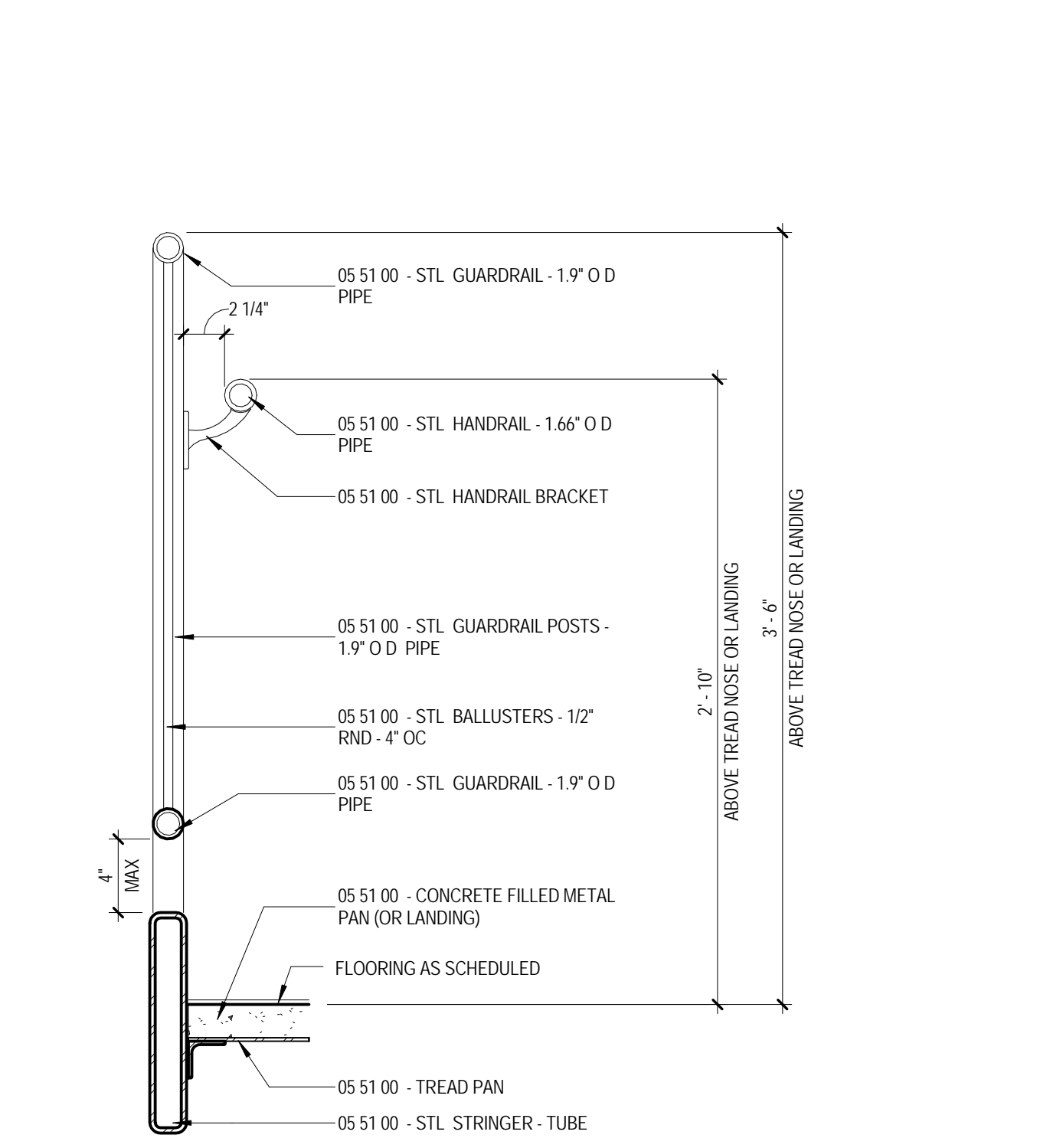
D4 STAIR SECTION DETAIL AT HANDRAIL
 A4.9 1 1/2" = 1'-0"



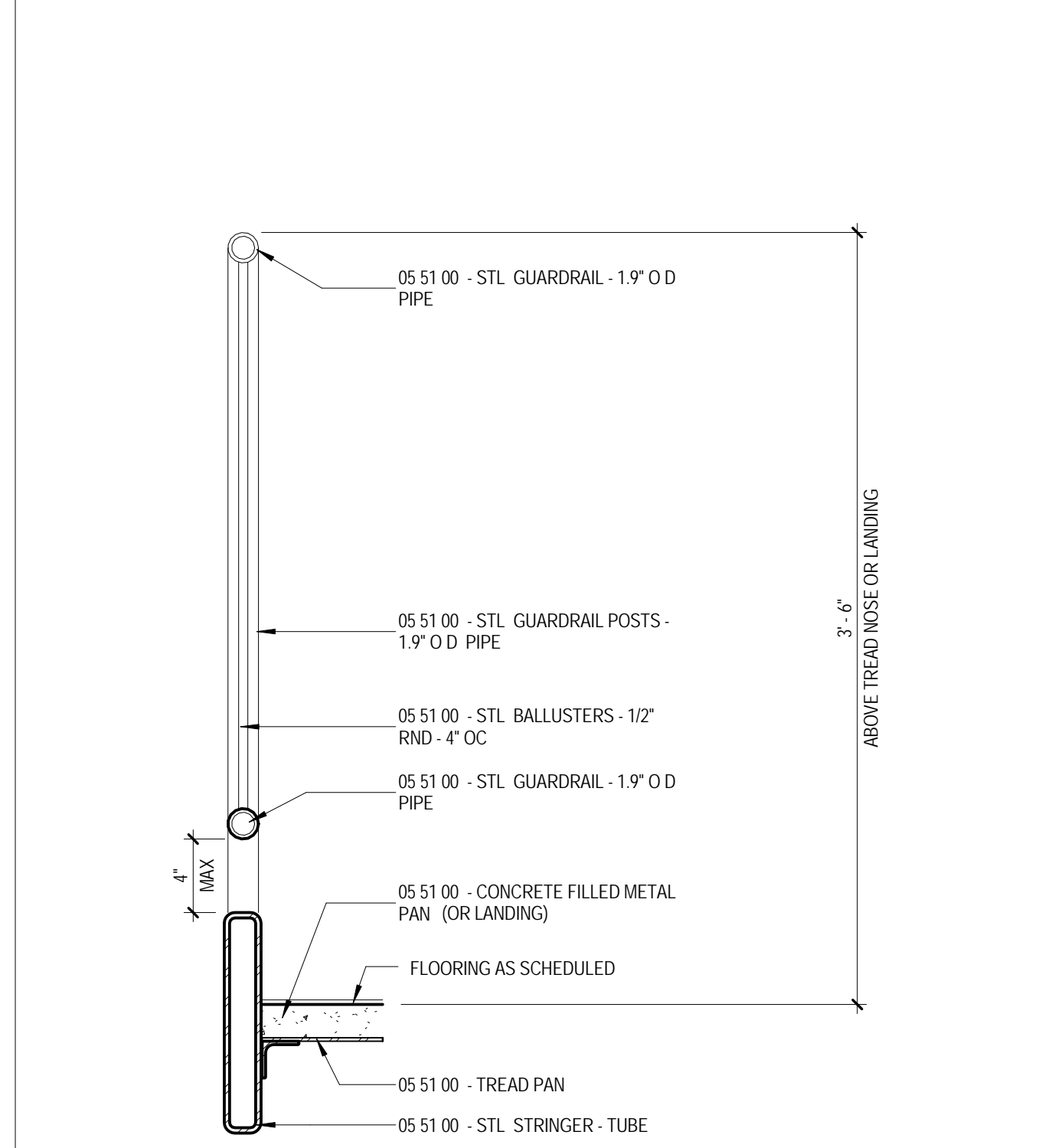
D7 STAIR SECTION DETAIL at PARTITION ALONG STRINGER
 A4.9 1 1/2" = 1'-0"



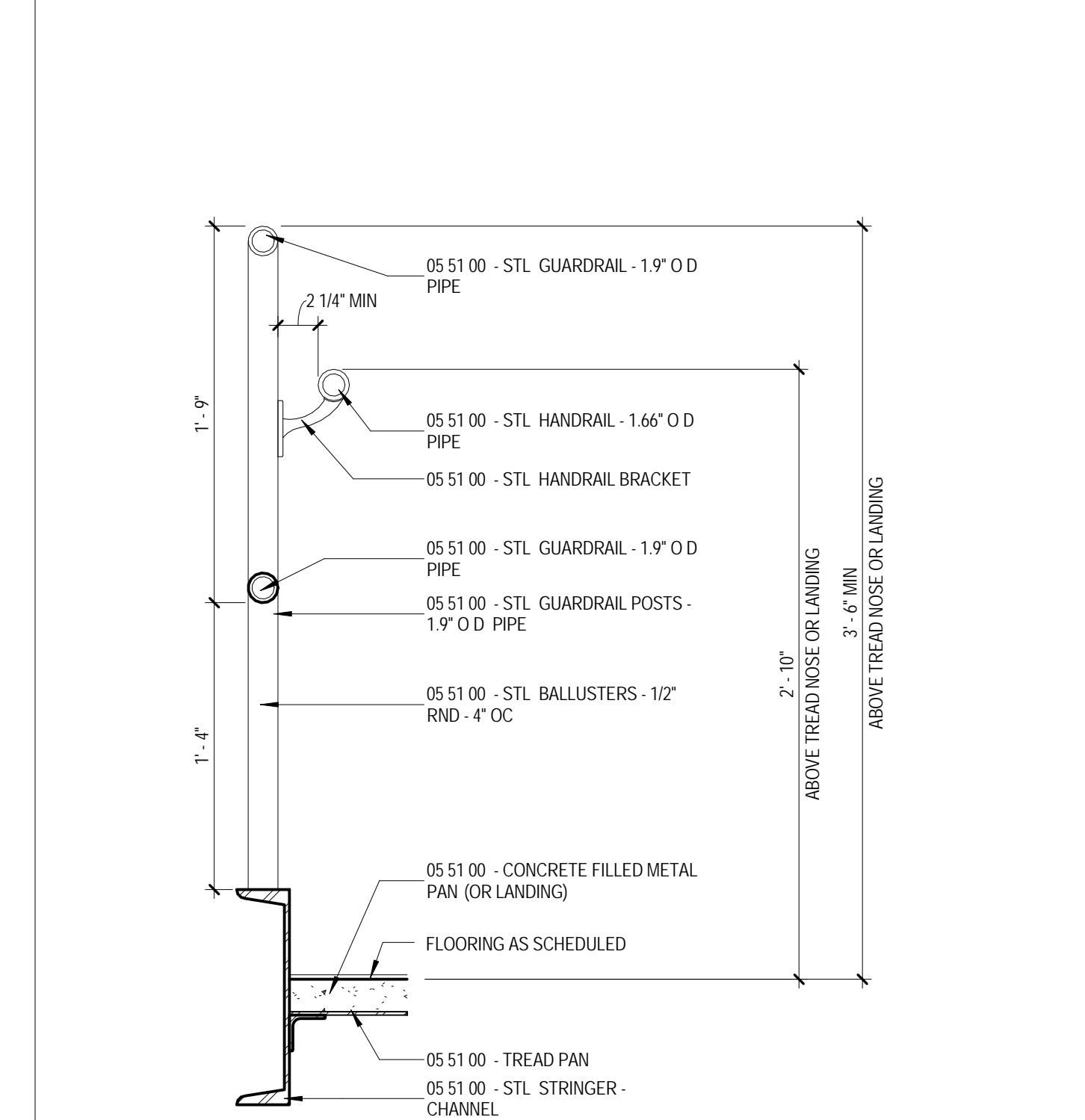
D10 STAIR SECTION DETAIL at PARTITION BELOW STRINGER
 A4.9 1 1/2" = 1'-0"



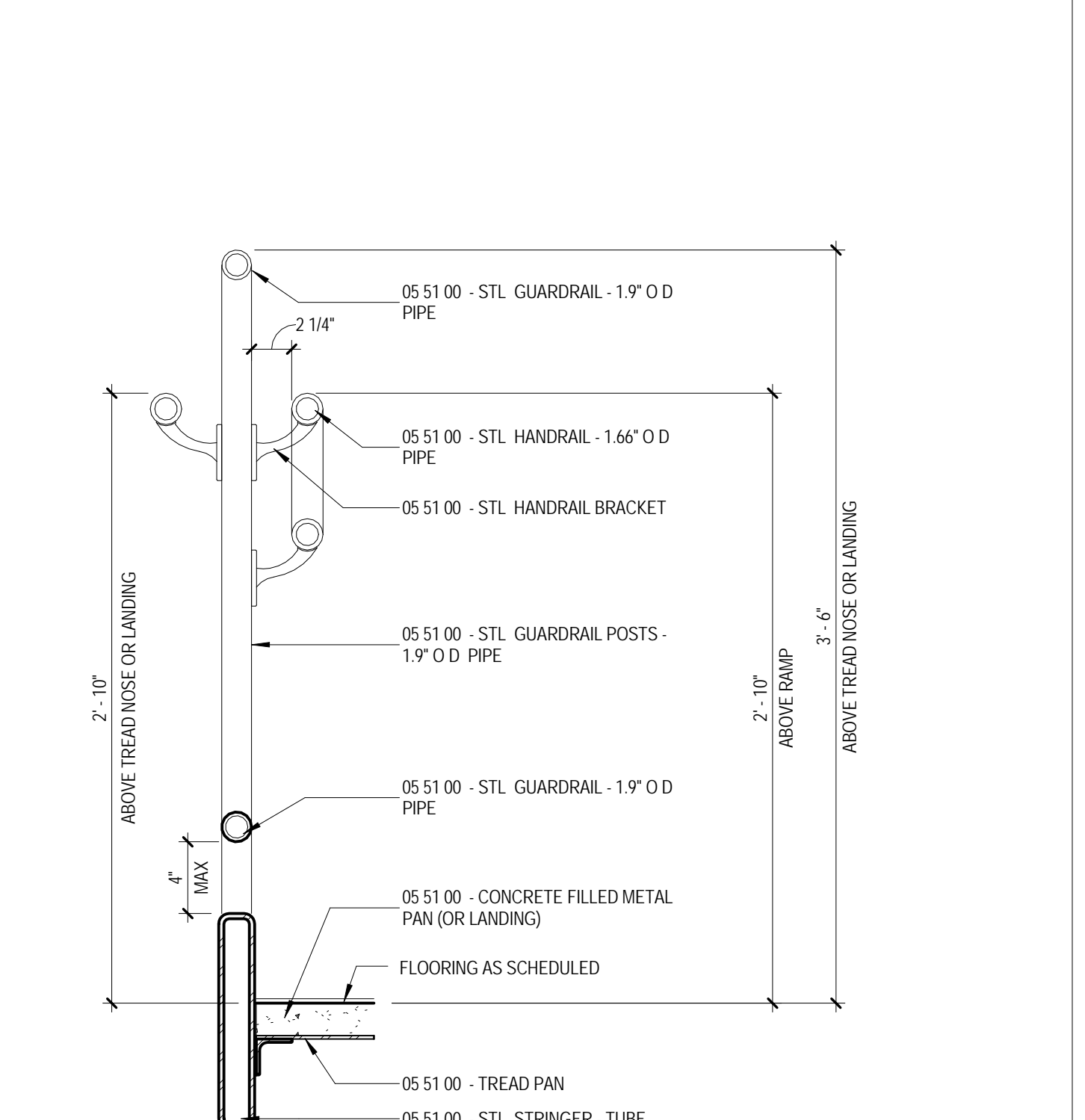
H1 STAIR DETAIL at GUARDRAIL AND HANDRAIL
 A4.9 1 1/2" = 1'-0"



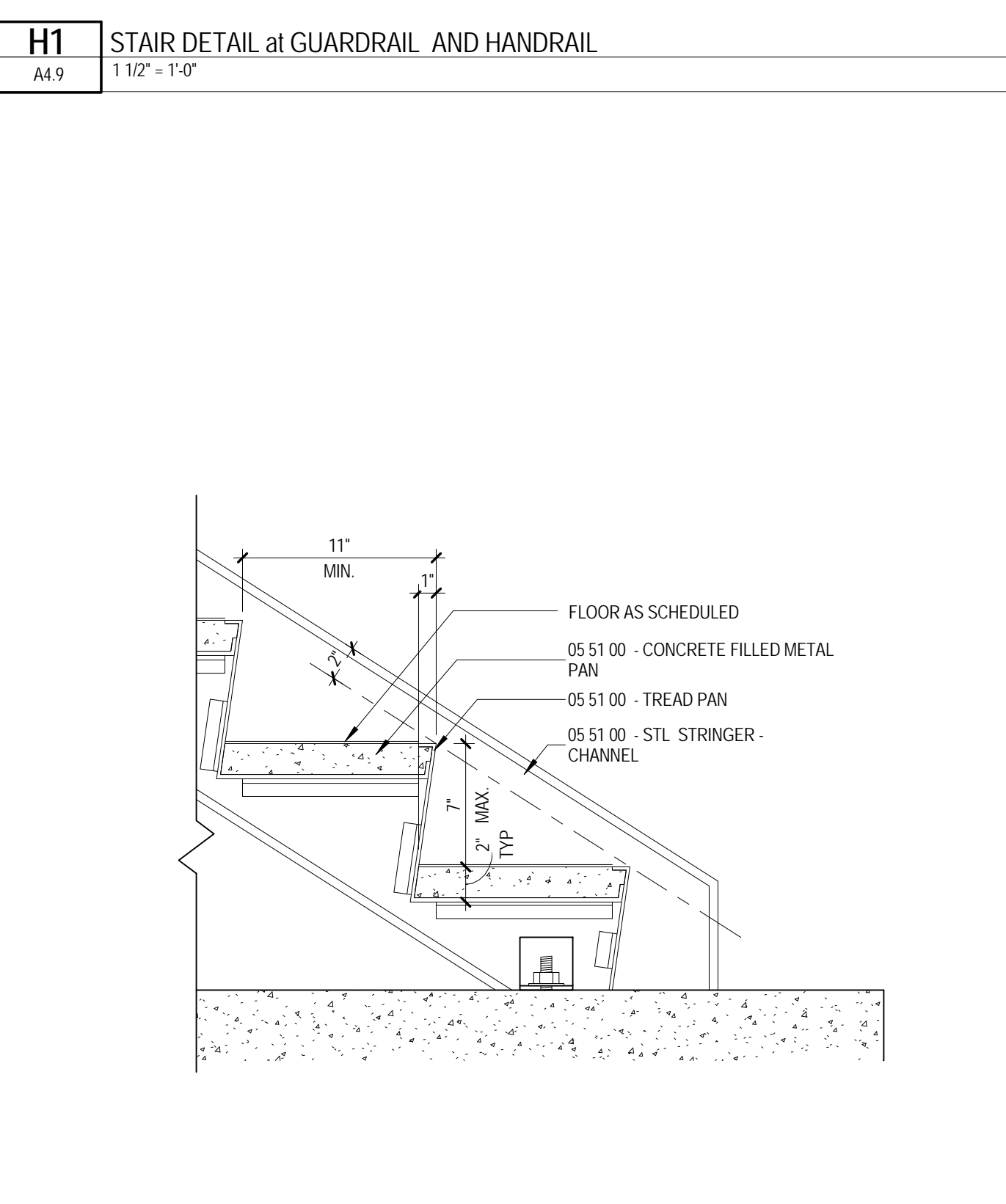
H4 STAIR DETAIL AT GUARDRAIL
 A4.9 1 1/2" = 1'-0"



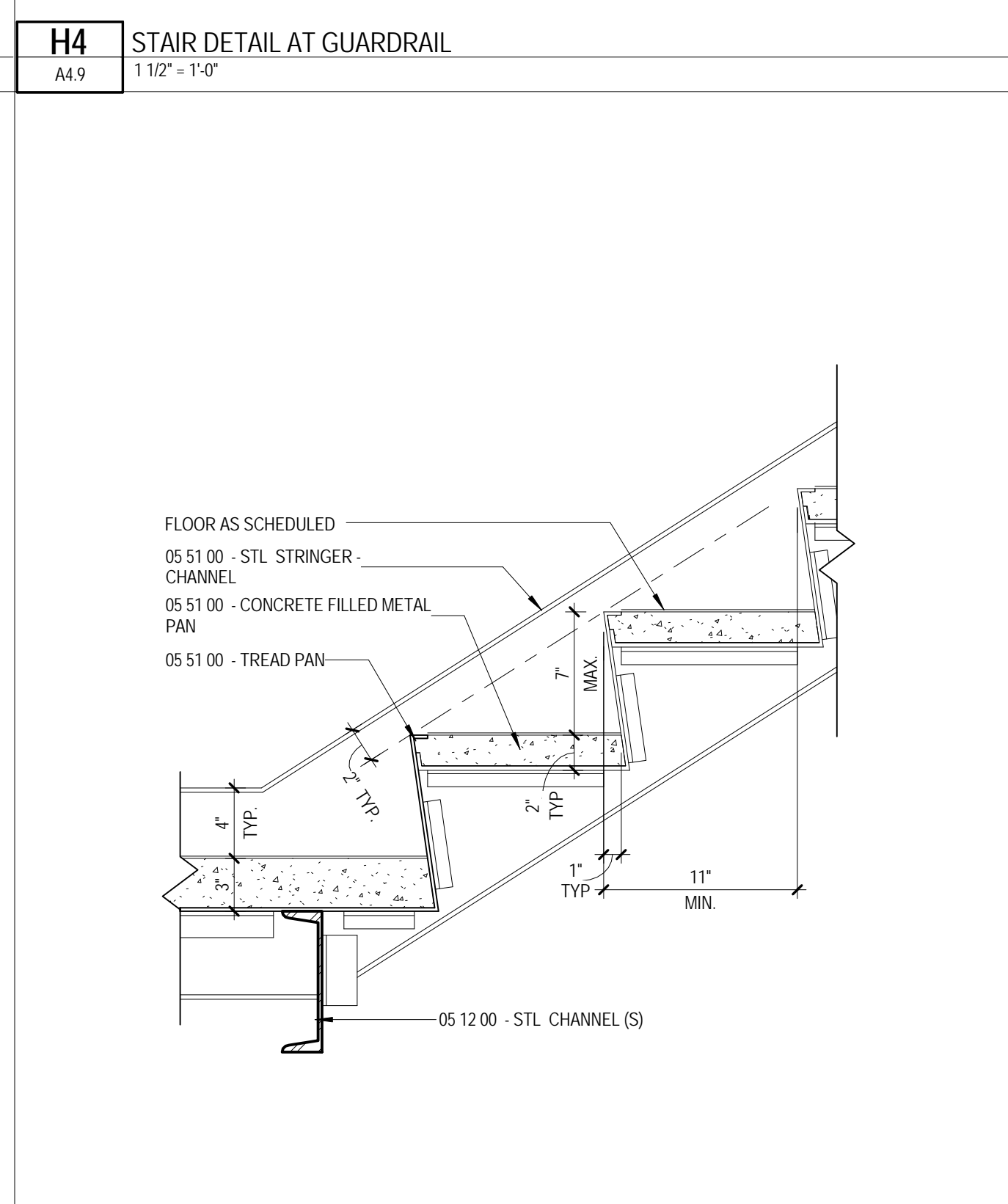
H7 STAIR SECTION DETAIL at OSHA GUARD and HANDRAIL (CHANNEL STRINGER)
 A4.9 1 1/2" = 1'-0"



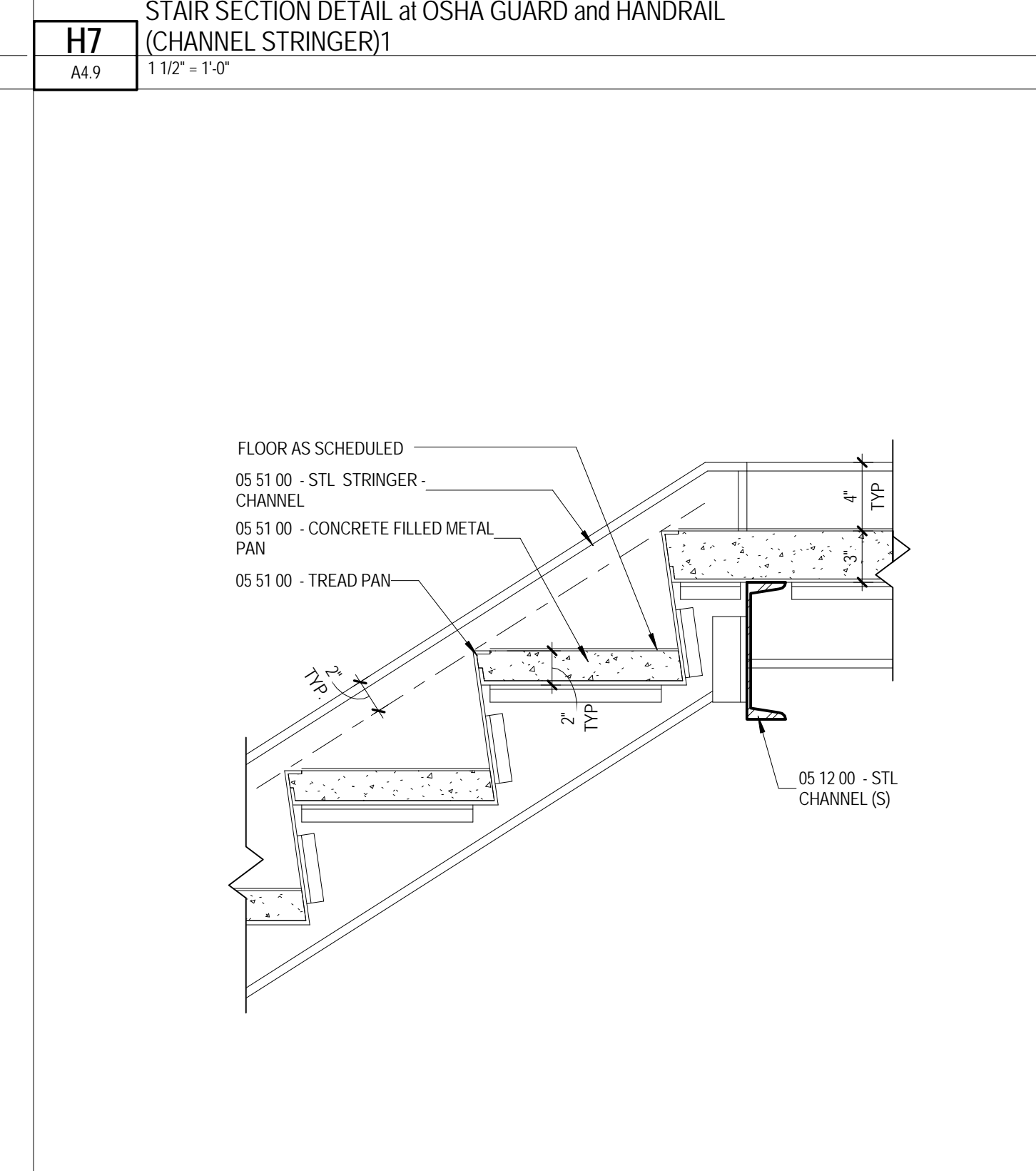
H10 STAIR DETAIL at GUARDRAIL AND HANDRAIL AT RAMPS
 A4.9 1 1/2" = 1'-0"



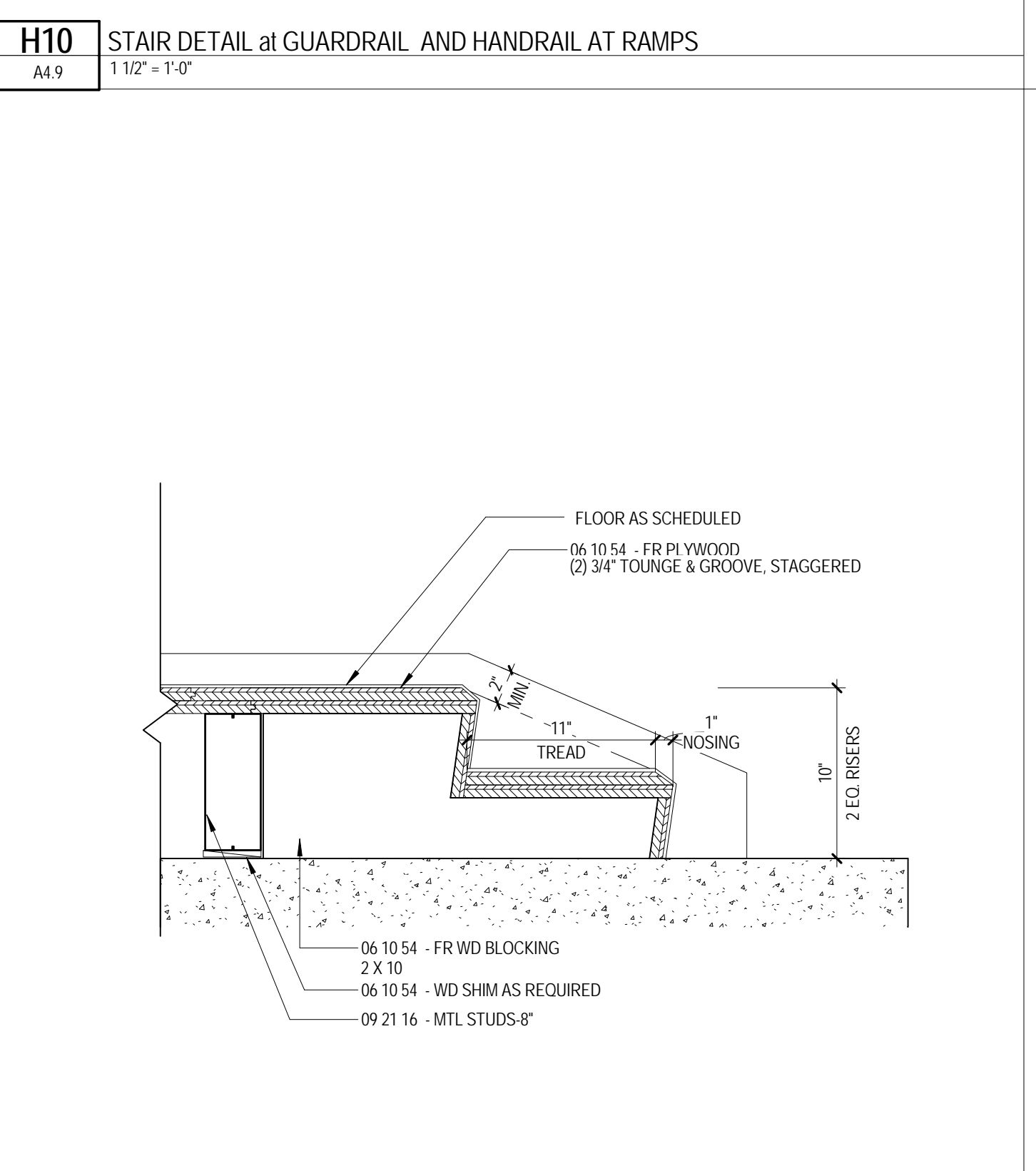
J1 TYP. STAIR DETAIL at BOTTOM of STAIR
 A4.9 1 1/2" = 1'-0"



J4 TYP. STAIR DETAIL AT BOTTOM of STAIR LANDING
 A4.9 1 1/2" = 1'-0"



J7 TYP. STAIR DETAIL AT TOP of STAIR LANDING
 A4.9 1 1/2" = 1'-0"



J10 TYP. STAIR DETAIL at BOTTOM of LIGHTWEIGHT FRAMING STAIR
 A4.9 1 1/2" = 1'-0"

10/16/2015 2:44:16 PM C:\Projects\13-059-00_The Park Danforth_R15_10-06-2015_Scullin.mxd

1 2 3 4 5 6 7 8 9 10 11 12 13 14