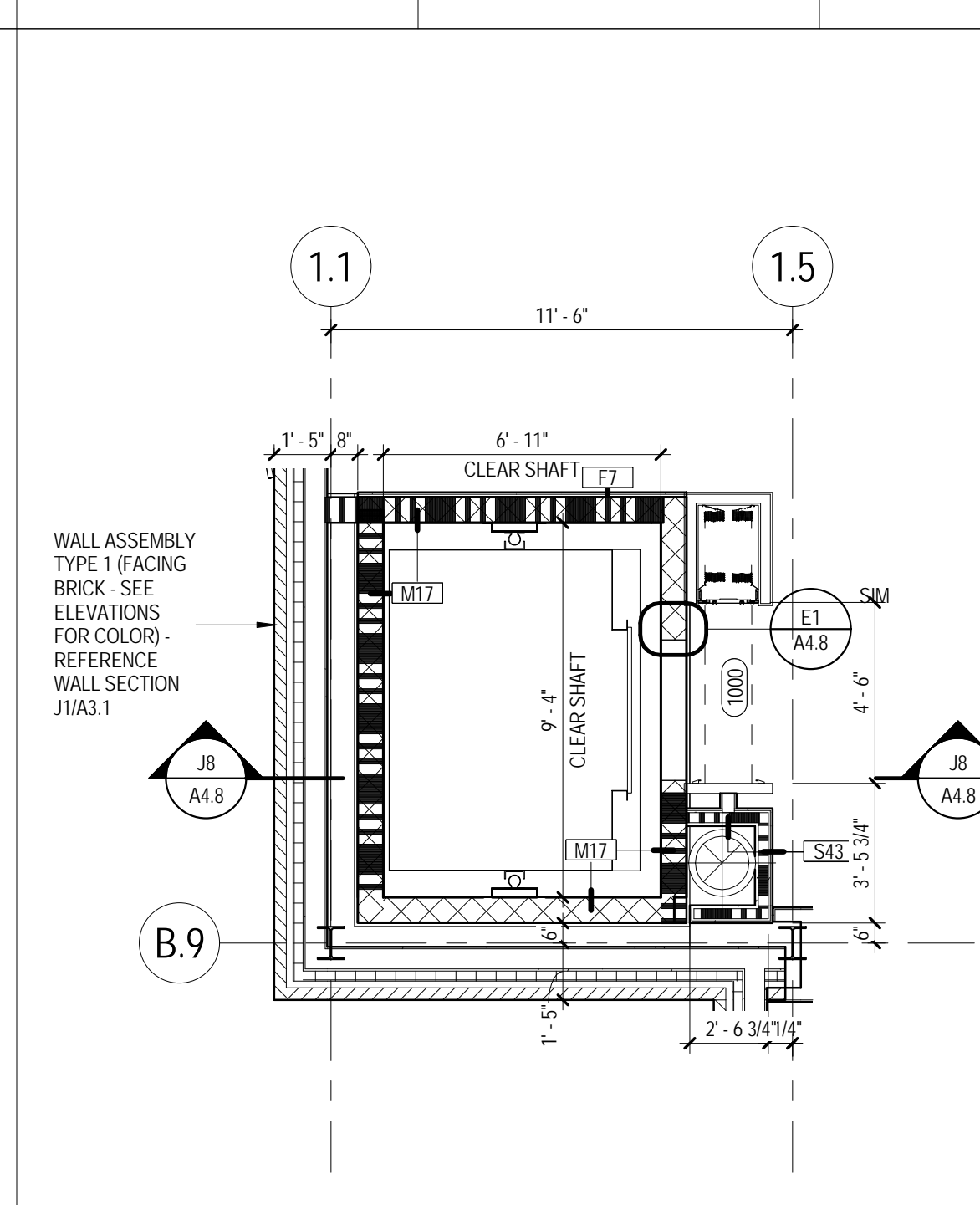
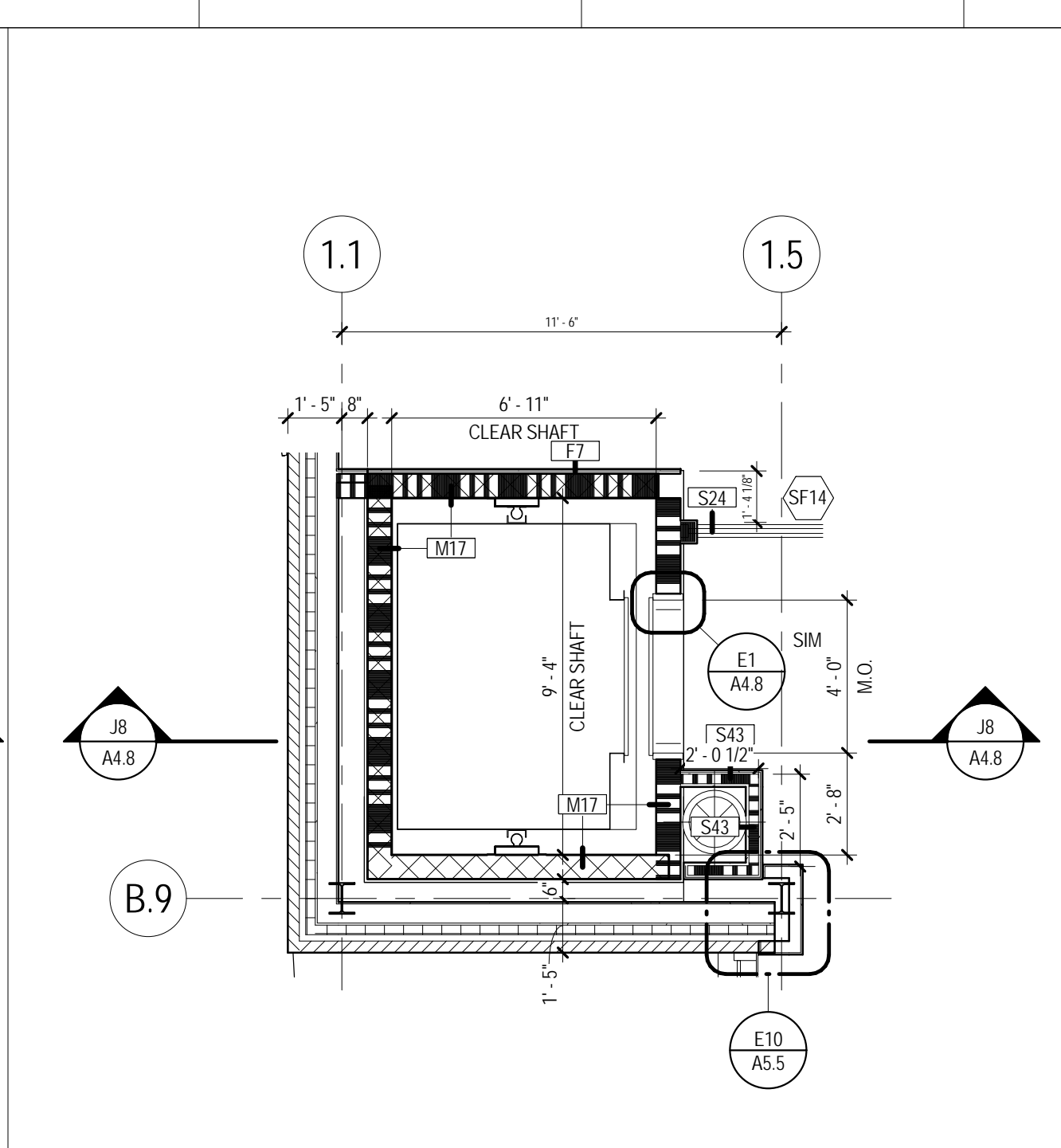


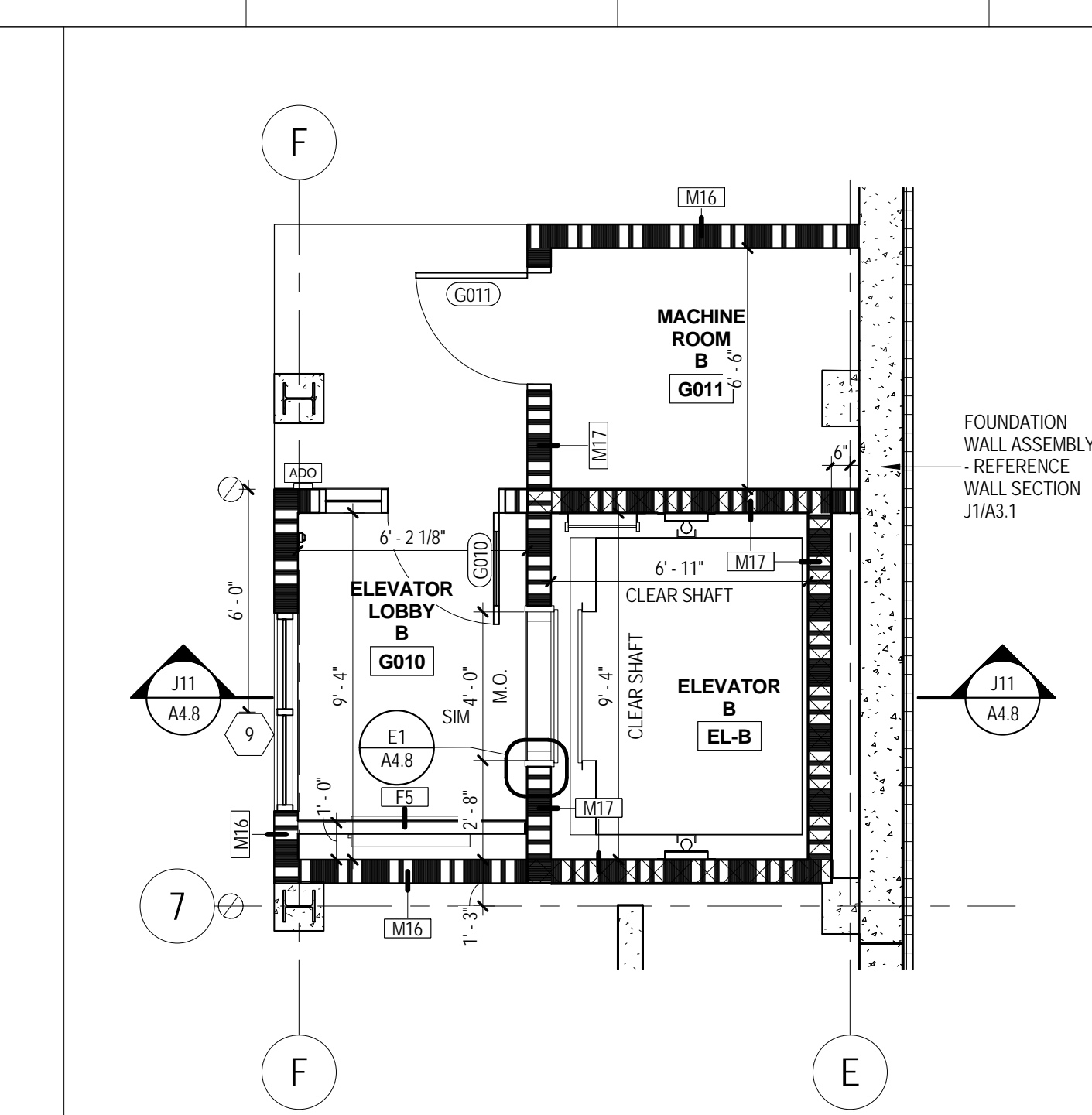
C1 ELEVATOR A GARAGE LEVEL
 A4.8 1/4" = 1'-0"



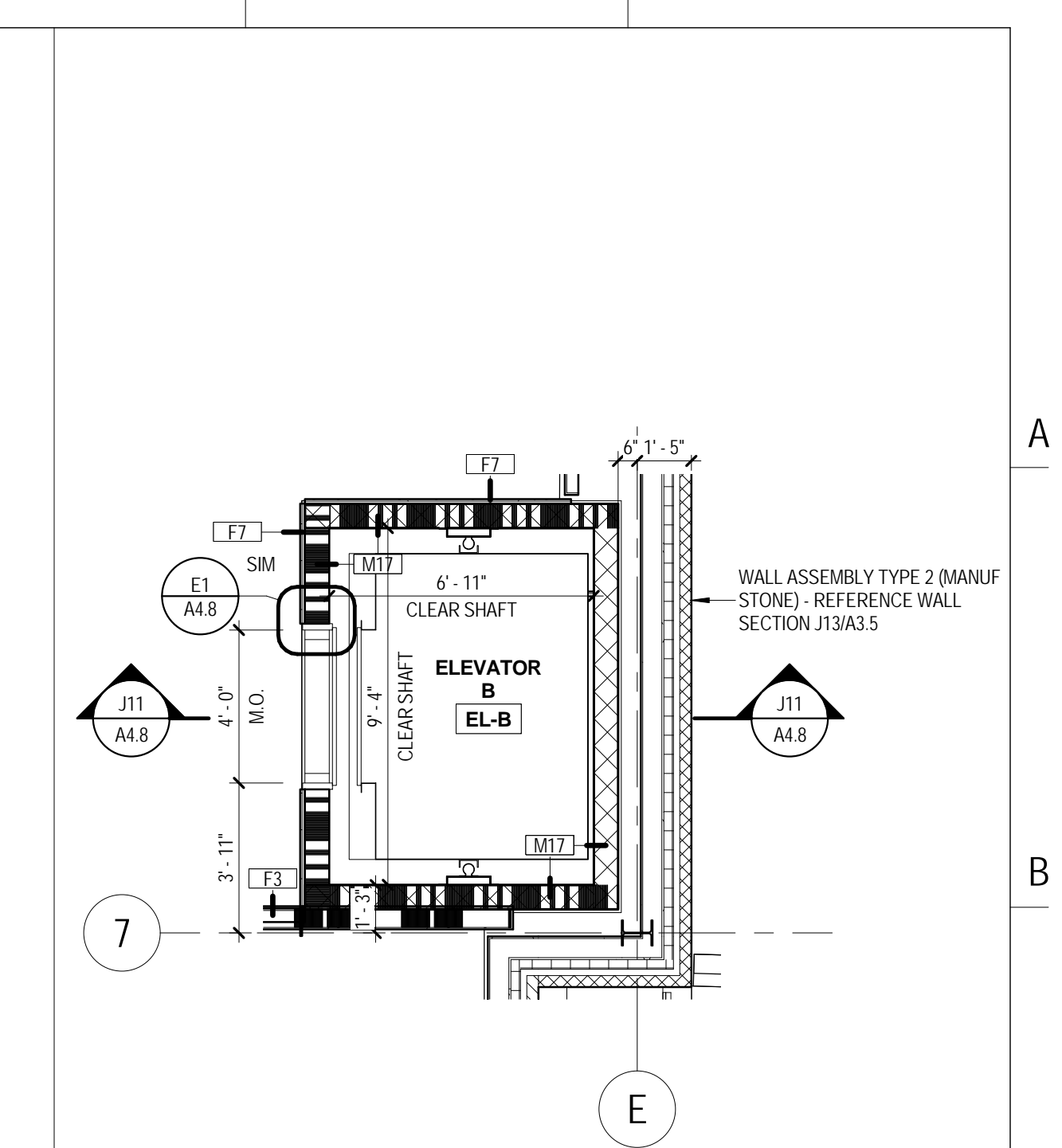
C3 ELEVATOR A LEVEL 1
 A4.8 1/4" = 1'-0"



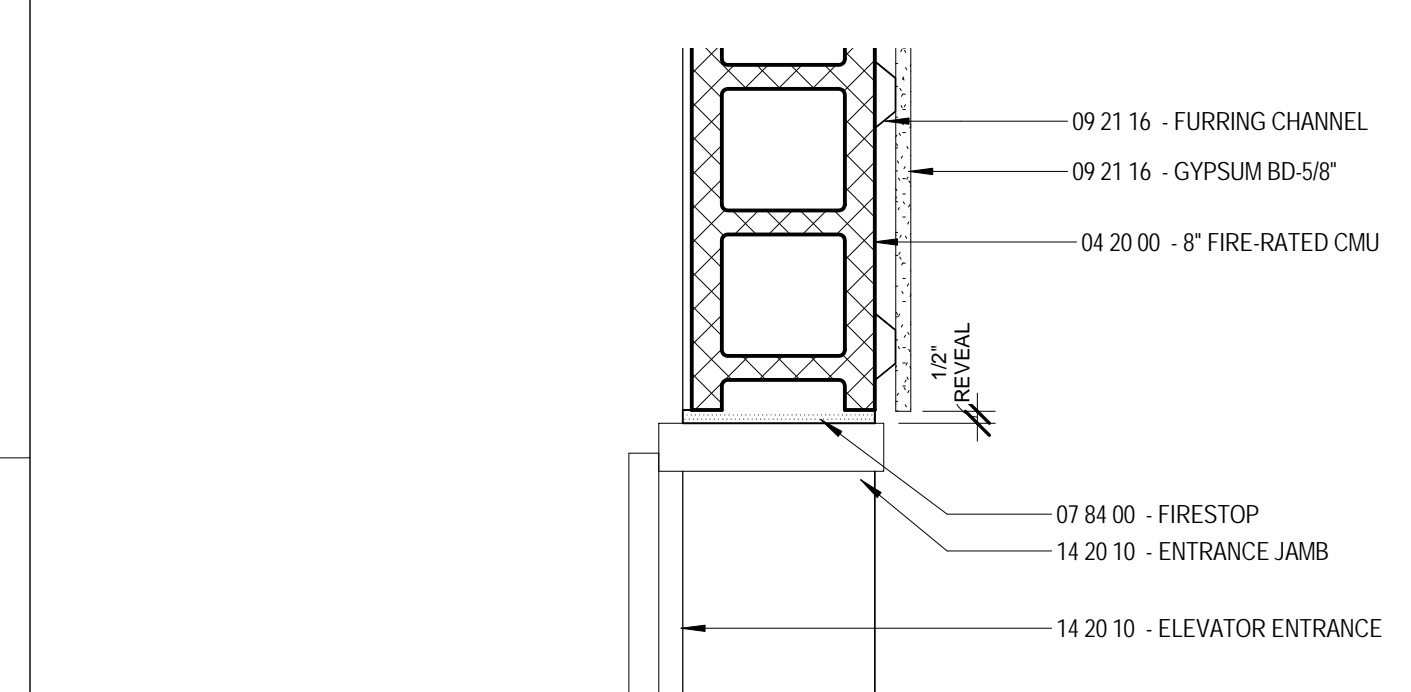
C6 ELEVATOR A LEVEL 2 (3-5 SIM)
 A4.8 1/4" = 1'-0"



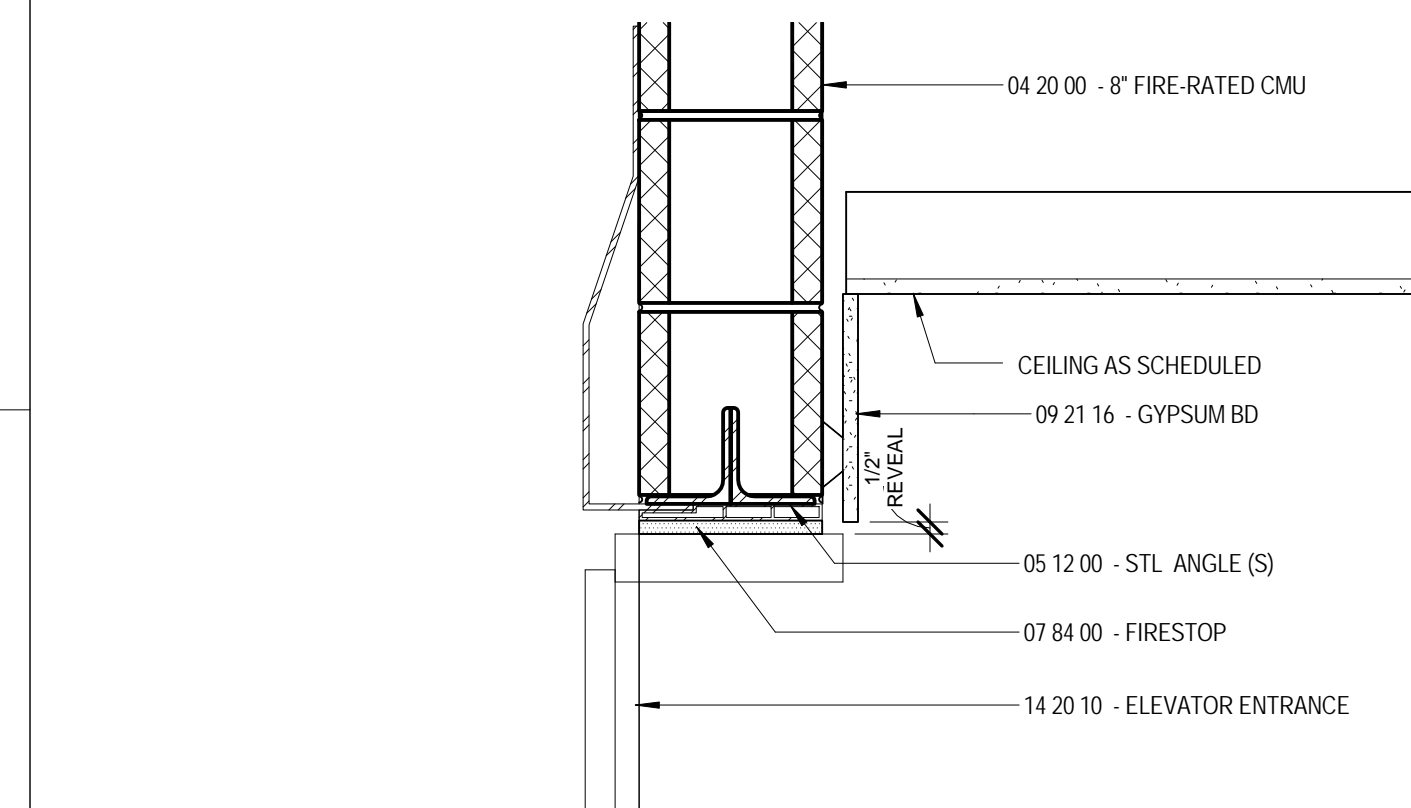
C9 ELEVATOR B GARAGE LEVEL
 A4.8 1/4" = 1'-0"



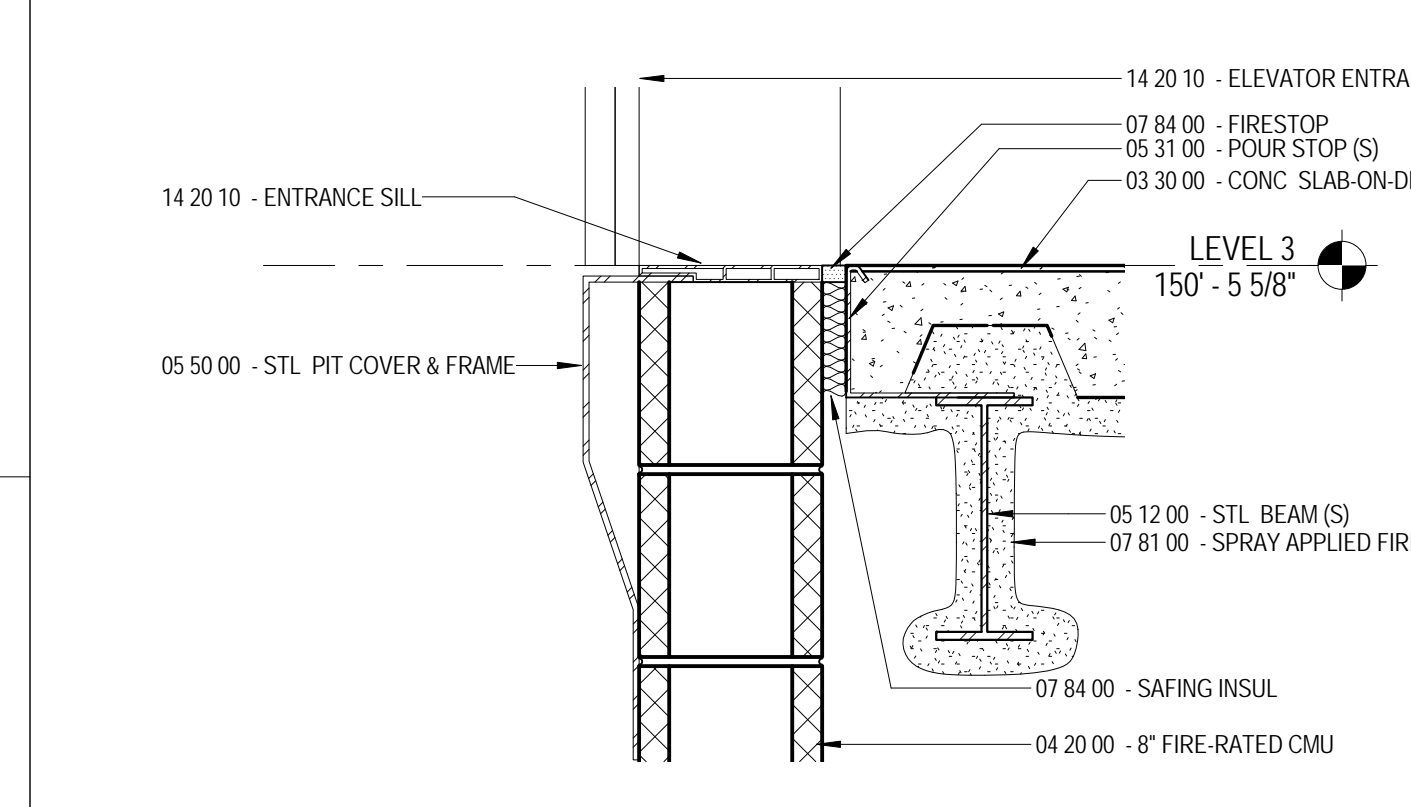
C12 ELEVATOR B LEVEL 1 (2-5 SIM)
 A4.8 1/4" = 1'-0"



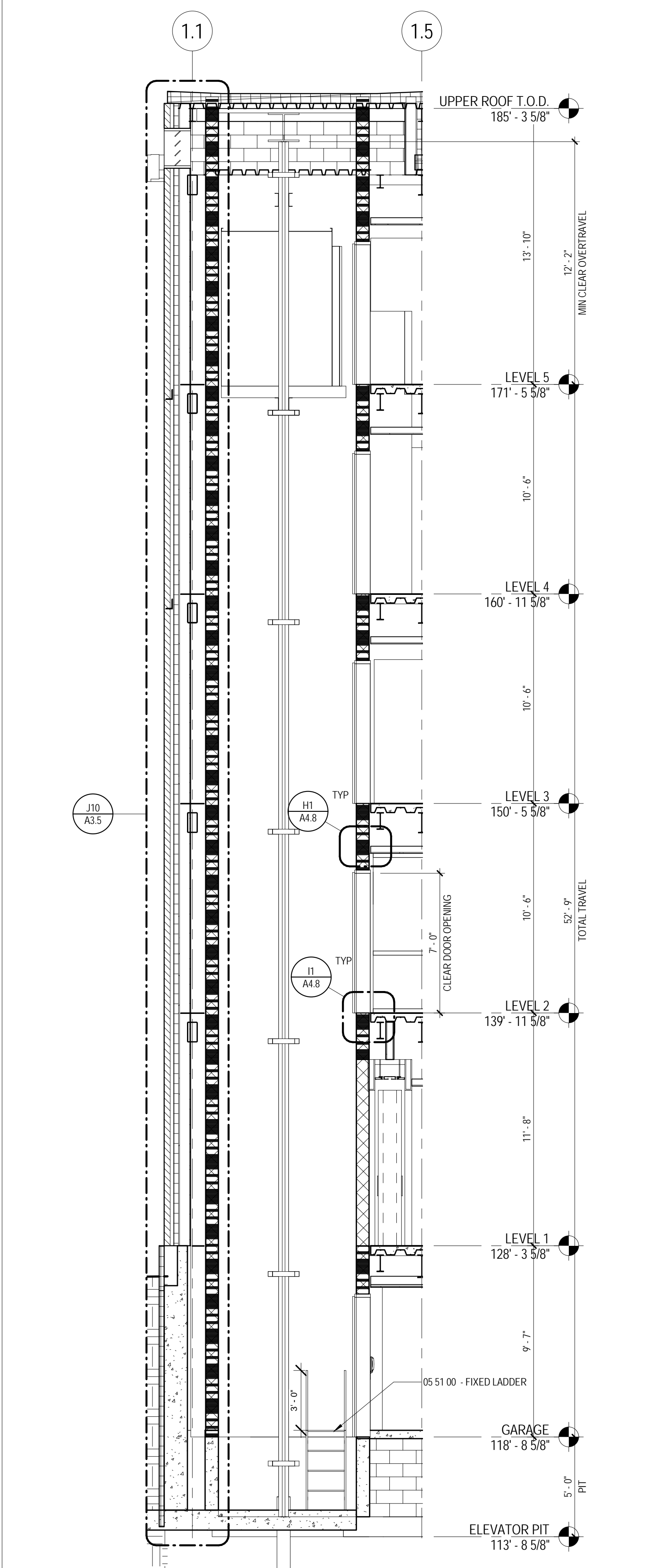
E1 TYP. ELEVATOR DOOR JAMB
 A4.8 1 1/2" = 1'-0"



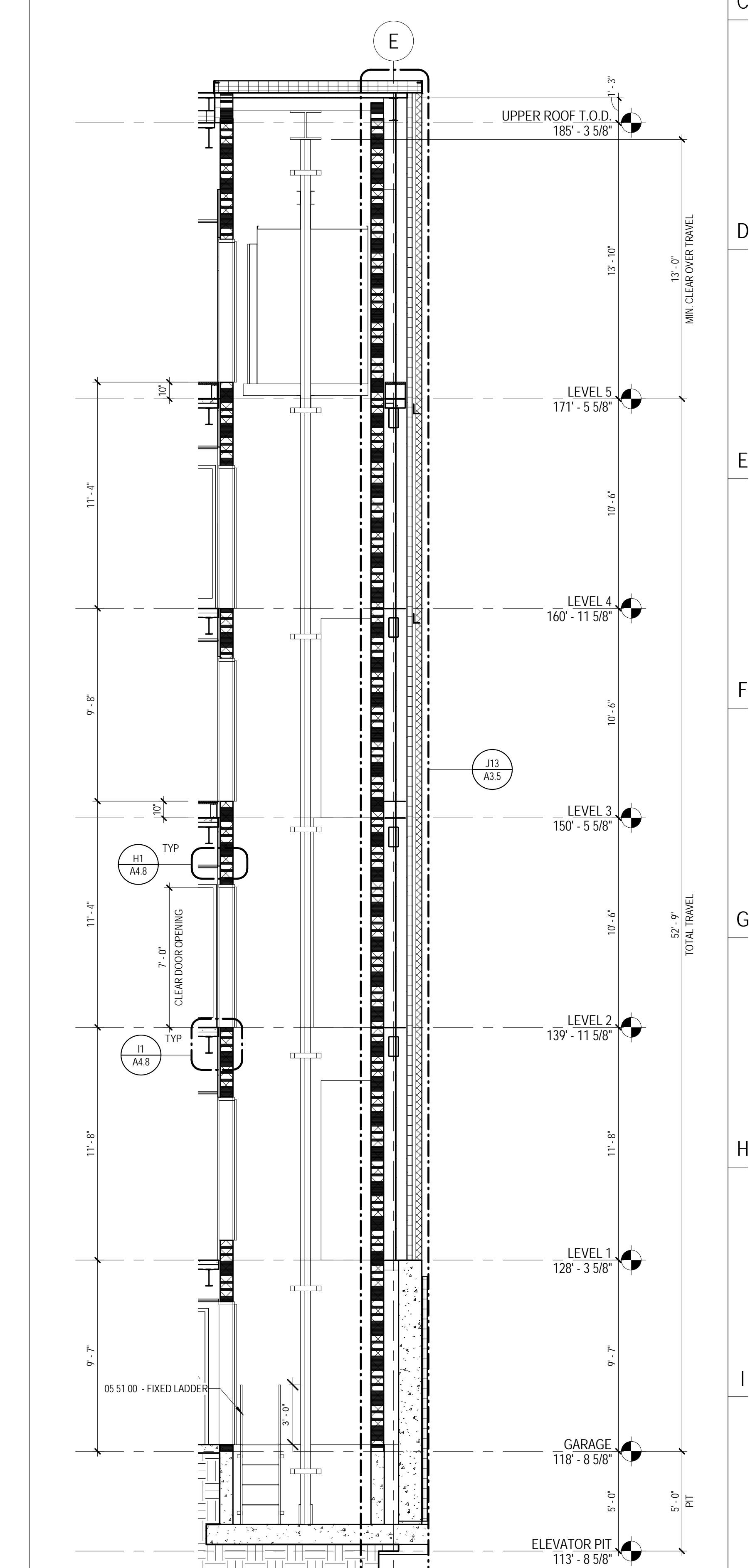
H1 TYP. ELEVATOR DOOR HEAD
 A4.8 1 1/2" = 1'-0"



I1 ELEVATOR FLOOR DETAIL - TYP
 A4.8 1 1/2" = 1'-0"



J8 ELEVATOR A SECTION
 A4.8 1/4" = 1'-0"



J11 ELEVATOR B SECTION
 A4.8 1/4" = 1'-0"

The Park Danforth

RENOVATIONS AND ADDITIONS

777 Stevens Ave
 Portland, ME 04103

NO.	DESCRIPTION	DATE
5	RFI B-007	06/15/15

CONTENT: ENLARGED ELEVATOR PLANS AND SECTIONS	
DRAWN BY:	KM
PROJECT NO.:	13-059-00
DATE:	06/05/2015
REVISED:	10/16/2015
SCALE:	As Indicated
A4.8	
Project Phase CONFIRMANCE SET	
<small>COPYRIGHT © 2015 BY LAVALLEE BRENSINGER PROFESSIONAL ASSOCIATION. ALL RIGHTS RESERVED. NO REPRODUCTION WITHOUT PERMISSION.</small>	

T:\02076 2-4433 PM C:\Projects\13-059-00_The Park Danforth_RFI_10-08-2015_Scullin.mxd